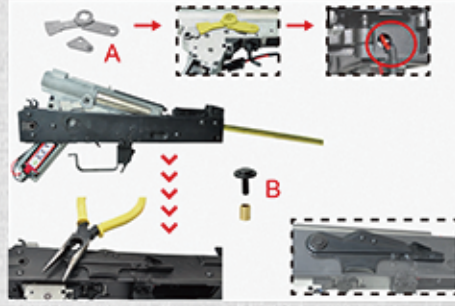
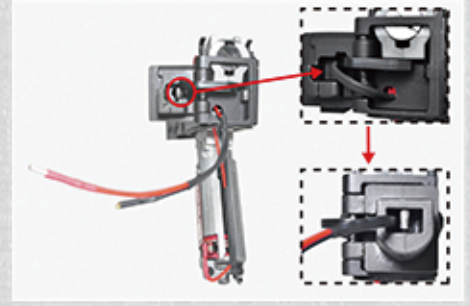


# The assembly instruction of LCK-12 and LCK-15 EBB

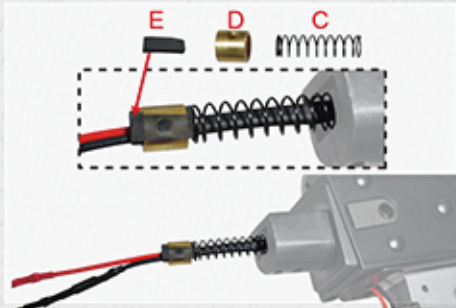
## LCK-12&LCK-15 EBB組裝說明書



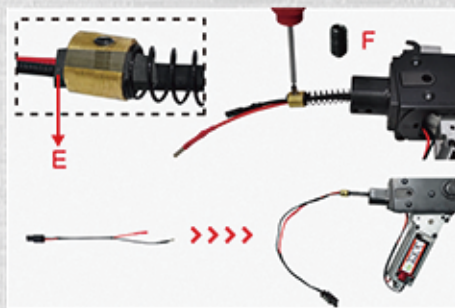
1. 將A組裝至BOX後，BOX線組穿過紅圈處再與HOP-UP一起組裝至槍身；以B固定選擇片。  
After assembling A and BOX, put into Receiver with HOP-UP. Use B to fix the Selector.



2. 將BOX線組穿過紅圈處。  
Cross the wire assembly to the red circle.



3. 依序將C、D組裝至線組上再將E組裝至D內。此裝置可避免線組再折疊時被托桿壓夾傷。  
Assemble the C and D accordingly, then put E into D. This device is for protection the wire which might be clipped when folds the buttstock.



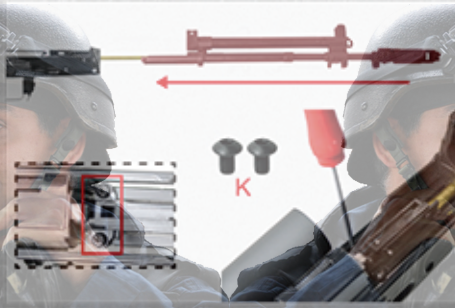
4. 以F固定E後，組裝線組。E的作用在於防止螺絲固定時讓線組受損。  
Use F to fix E which is in order to prevent the wire be broken when fixes the screw.



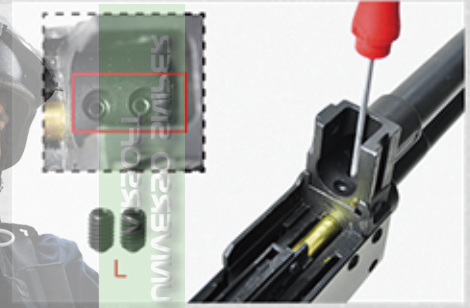
5. 將線組穿過G以紅箭頭方向組裝，再以H固定。  
電池只適用兩片式7.4V鋰電池 100mm\*20mm\*6mm；棒狀11.1V鋰電池 95mm\*18mm\*18mm。  
To cross the wire to G by red arrow direction, then fixed by H. The compatible batteries are 7.4 V two-piece 100mm\*20mm\*6mm and 11.1V stick 95mm\*18mm\*18mm.



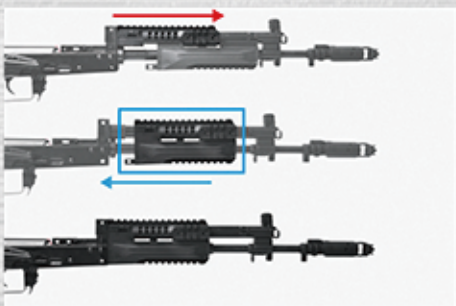
6. 固定前請檢查線組是否在固定孔下，避免線組受損，以I固定；組裝握把後以J固定，蓋上握把底蓋。  
Ensure the wire be set under the hole, then fixed by I. Assemble the grip by J and put the bottom of the grip.



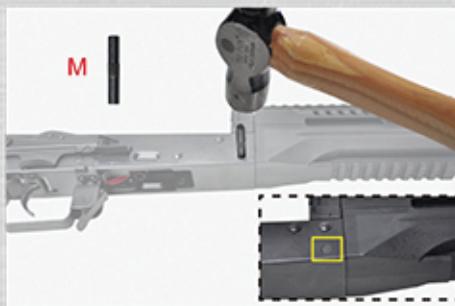
7. 將紅區域以紅箭頭方向組裝至槍身後，以K固定HOP-UP。  
Assemble the red zone to Receiver as red arrow direction, use K to fix HOP-UP.



8. 以L固定槍管。  
Use L to fix the Inner Barrel.



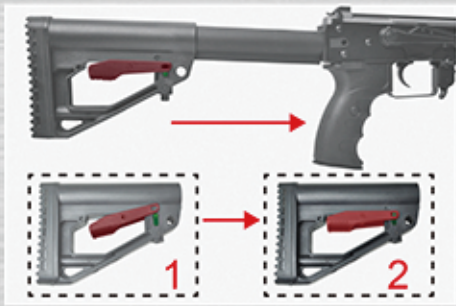
9. 先組裝下護木，再將上護木以紅箭頭方向組裝至下護木再將整組護木以藍箭頭方向組裝至槍身。  
Assemble the Lower Handguard first, then follow the direction as red arrow to assemble the Upper Handguard, then push the Handguard Set to Receiver as blue arrow.



10. 以M固定護木組。  
Use M to fix the Handguard Set.



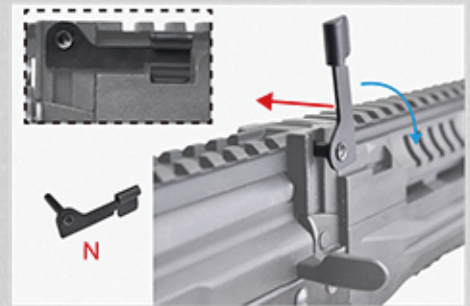
11. 槍機組裝。  
Assemble the Bolt Carrier.



12. 組裝槍托前，先將紅區域往外扳開移至綠區域上方（如圖1），組裝完成後再將紅區域恢復（如圖2）。  
Before assemble the butt stock, be sure to move the part (as red block) outward to the green position, then recover to red position.



13. 以紅箭頭方向組裝上蓋，注意上蓋紅區域必須固定在槍身紅區域。  
Assemble the top cover by red arrow direction, be sure that the red block on top cover be fixed on Receiver (red block).



14. 將N以紅箭頭方向組裝，再以藍箭頭方向固定。  
Assemble N by red arrow direction and fix by blue arrow direction.