



M15A4

Rail Interface System

M15A4

Special Purpose Carbine

HANDLING CAUTIONS AND INSTRUCTION MANUAL



WARNING

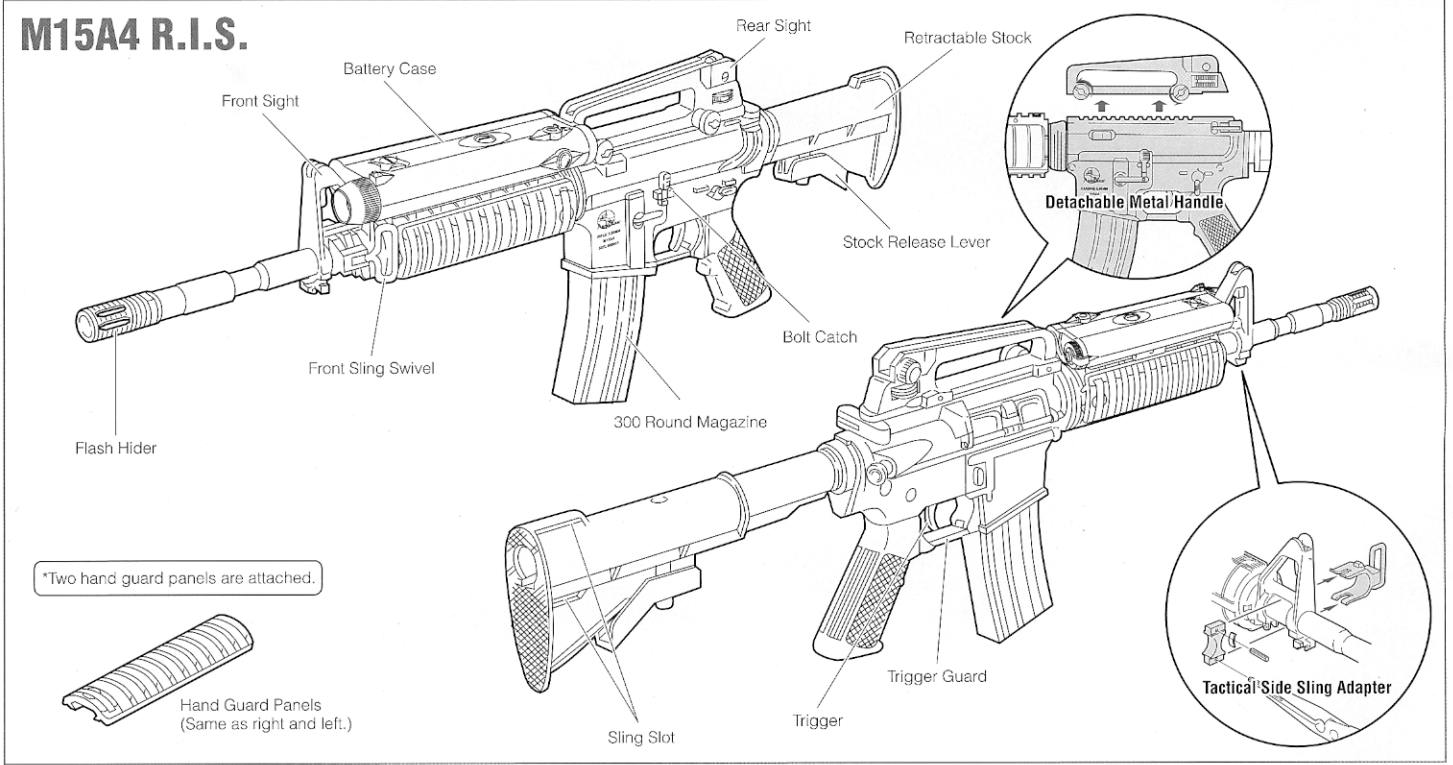
- FOR AGE 18 OR ABOVE.
- PLEASE READ THE INSTRUCTIONS CAREFULLY BEFORE USE. MISUSE OR CARELESS USE MAY CAUSE SERIOUS INJURY.
- USER SHOULD OBEY TO THE LAWS REGARDING THE USAGE AND OWNERSHIP OF AIRSOFT ELECTRIC GUNS.
- FACIAL PROTECTION IS REQUIRED.

**HOP-UP
SYSTEM**

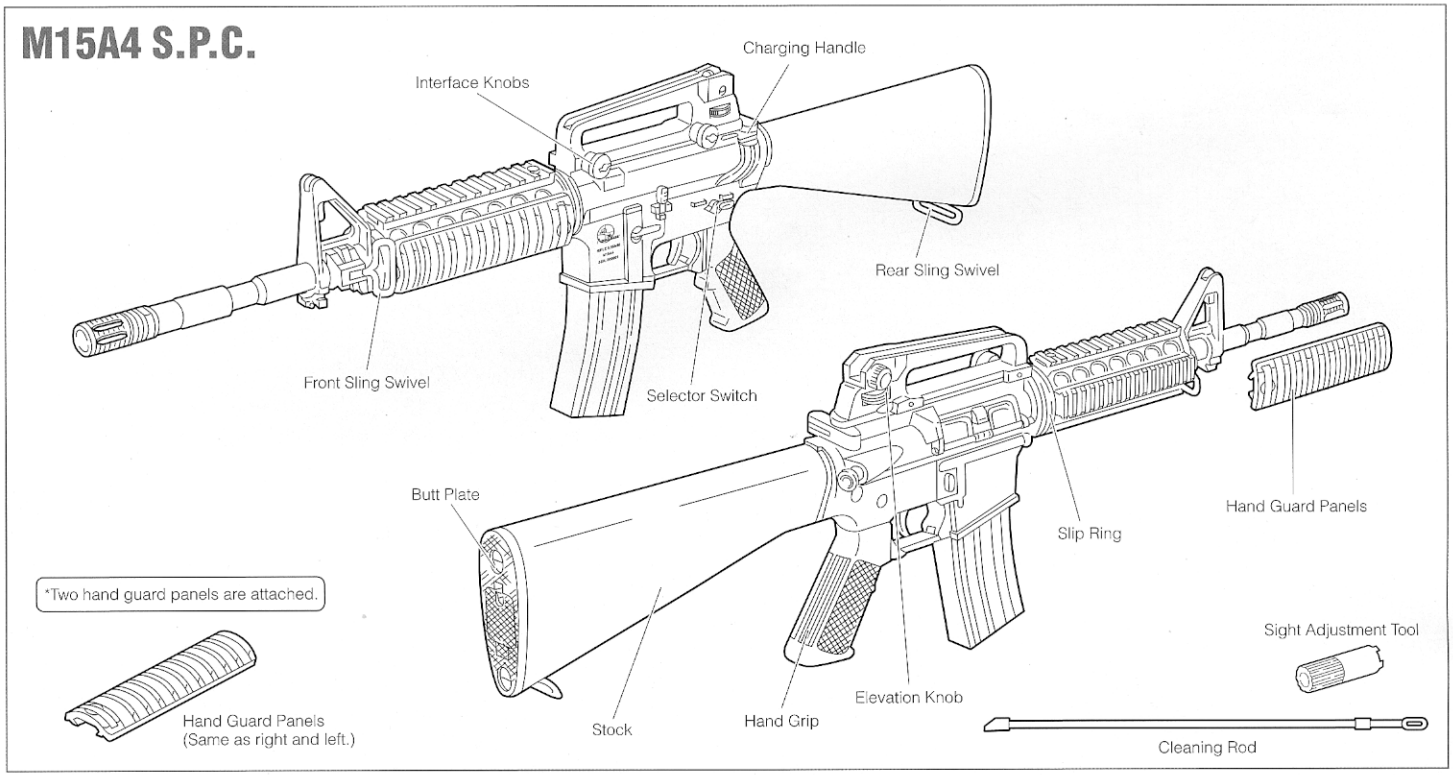
Produced By Classic Army, Hong Kong

1 Outlook / Structure of M15A4 R.I.S. & M15A4 S.P.C. Always set the selector switch to the safe position when you are not firing or during storage

M15A4 R.I.S.

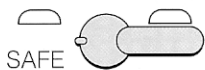


M15A4 S.P.C.

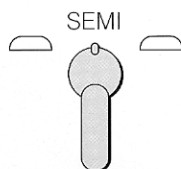


2 Operation

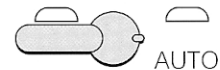
1 How to use safety lock



Safety Lock



Single Shot



Automatic Shot

2 Magazine Attachment / Detachment procedure

High precision is required for the operation of this magazine. Avoid invasion of dust and dirt into the magazine to prevent malfunctions.

Action against problem

Failure in pellet feeding may occasionally occur during full auto operation. In this case, disconnect the magazine, give a slight shock or poke BB pellets using a stick and then set the magazine again.

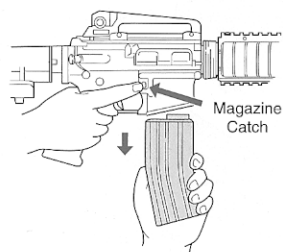


About 30 pellets will remain in the duct after operation. Be careful of any pellets firing out if you hold the gun up-side-down and pull the trigger.

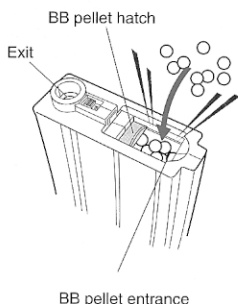
Ensure smooth pellet feeding.

- Occasionally give slight shocks to the gun or shake vertically to ensure smooth pellet feeding.
- Slightly turn the gear every 50 to 60 pellets to ensure smooth pellet feeding.

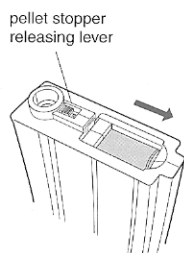
1 Press the magazine catch to remove the magazine



2 Open the top hatch and insert BB pellets. (About 300 pellets can be loaded. (Avoid forcing BB pellets into the magazine.)

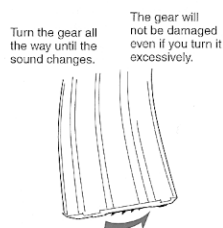


3 Close the hatch



- Remove pellets remaining in the duct by reversing the magazine and using the releasing lever as shown. This ensures smooth operation next time.

4 Hold the magazine with BB pellet entrance facing upward and turn the gear at the bottom all the way until the click-click sounds change. (If only a small number of BB pellets are inserted, the gear merely makes blank turning.)



The gear will not be damaged even if you turn it excessively.

5 Check whether the BB pellets are lifted up to the exit, and then connect the magazine to the gun.

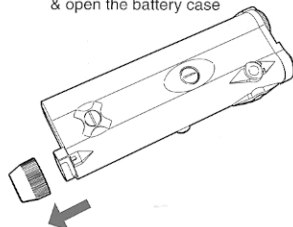


If pellet feeding is frequently faulty, remove all pellets from the magazine and spray silicone oil for 1 to 2 sec. Note that the hop-up operation may become unstable for a while after using silicone oil spray.

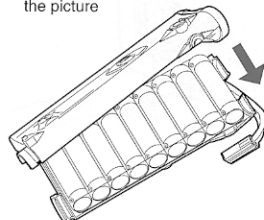
3 How to insert battery

M15A4 R.I.S.

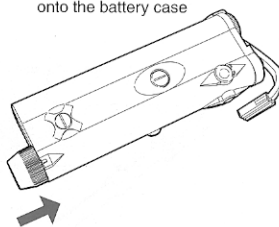
1 Pull out the plastic button & open the battery case



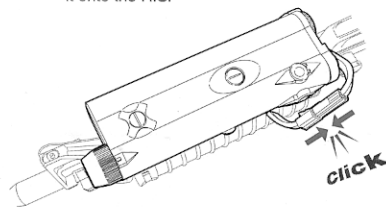
2 Insert 9.6V or 10.8V 1700mAh battery in the case as shown on the picture



3 Put back the plastic button onto the battery case



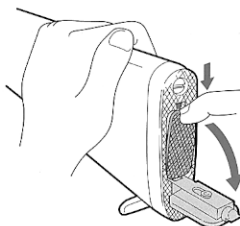
4 Combine the connectors and place the wiring into the battery case. Then, install it onto the RIS.



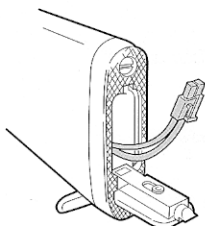
Set the battery after charging

M15A4 S.P.C.

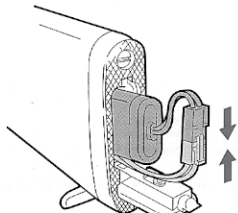
1 Lower the butt plate and open the cover



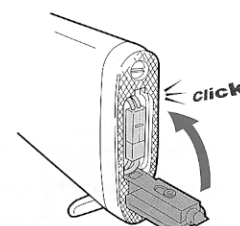
2 Pull out the connector



3 Insert the battery into the stock and connect the connectors

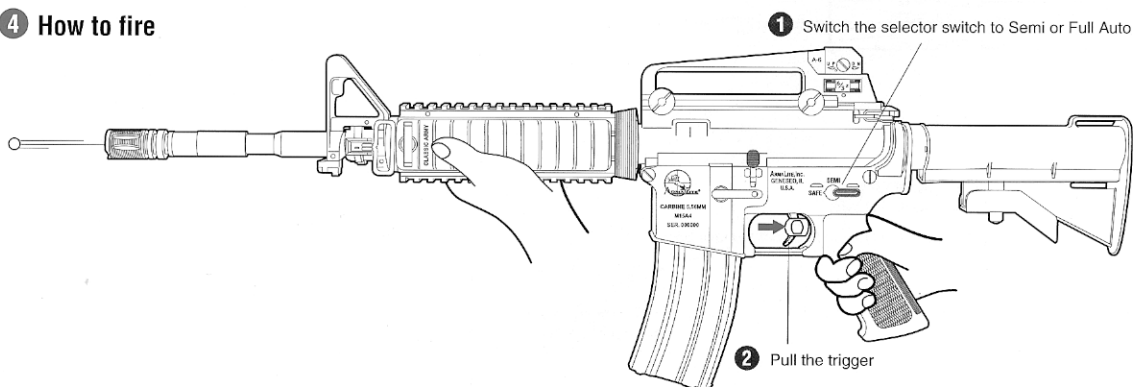


4 Close the cover



CAUTION • Be careful of your fingers

4 How to fire



- There are possibility that no BB comes out after pulling the trigger in the semi auto mode. In that case, do not pull the trigger furiously. Fire 5 to 10 pellets in the full auto mode and then return to the semi auto mode.



- Smell may be generated from the motor for a while when a new air gun is operated. This is the normal operation of the gun.



- The hop up operation may be unstable for 200 to 300 pellets after using silicone oil, this is the normal operation of the gun.

* Blank firing may occur after setting the magazine, this is the normal operation of the gun.

Cautions on Motor and Battery

- Change the battery if the firing cycle becomes slow.
- Give the air gun a rest for 5 to 10 minutes after firing about 500 pellets in order to ensure high durability of the motor and battery.

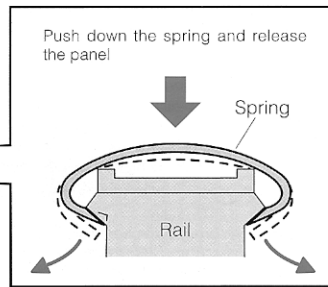
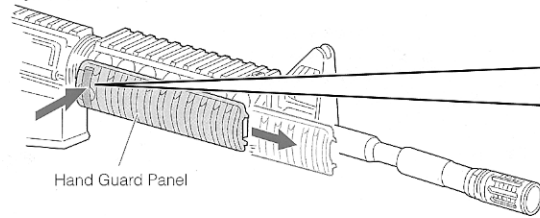
When pellets are clogged

- Remove them and apply a few drops of silicone oil into the chamber from the magazine entrance as shown or spray silicone oil for 0.5 to 1 sec, to obtain smooth continuous firing. (Never use CRC-556 or other mineral oil)

5 How to assemble the hand guard panels and R.I.S.

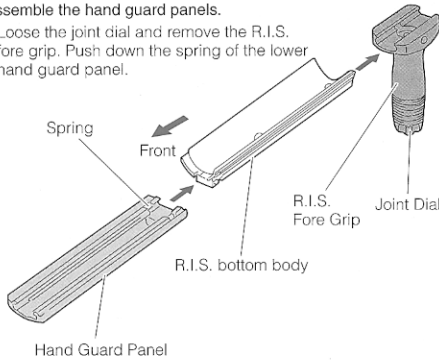
1 Remove the hand guard panel.

- Push down the spring to release the right and left hand guard panels.



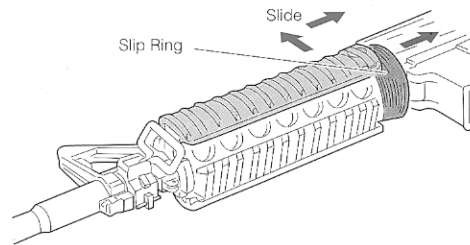
2 Assemble the hand guard panels.

- Loosen the joint dial and remove the R.I.S. fore grip. Push down the spring of the lower hand guard panel.



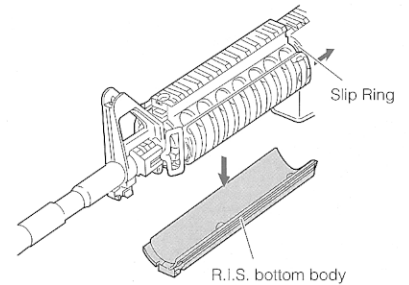
3 Remove the R.I.S. upper body.

- Remove the screw. Slide the slip ring backward and remove the R.I.S. upper body upward.



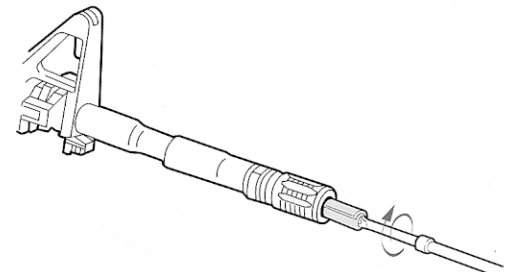
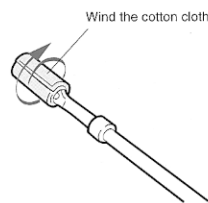
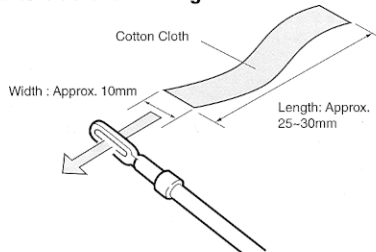
4 Remove the R.I.S. bottom body.

- Slide the slip ring backward and remove the R.I.S. bottom body downward.



3 Maintenance

1 How to use a cleaning rod



Cut a cotton cloth to the size as shown above and insert one end into the hole in the rod. (Adjust the length of cloth for smooth entry into the barrel.)



CAUTION: Always begin the maintenance by returning the hop up adjustment lever to NORMAL.



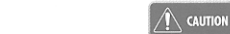
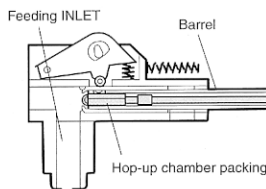
CAUTION: The chamber is a precision component. Never use any used BB pellets.

* The hop-up performance may become unstable for 60 to 70 pellets after maintenance.



Insert the rod will be difficult if you hold the rod at the end.

- 1 Spray silicone oil for 0.5 to 1 sec in the pellet entrance, then fire 40 to 50 pellets to make the magazine stable.
- 2 Clean the oil from the chamber using the cleaning rod (with cotton) to complete the maintenance.

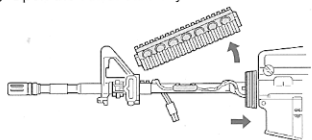


CAUTION: Always begin the maintenance by returning the hop up adjustment lever to NORMAL.

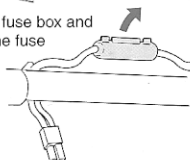
2 How to replace the fuse

M15A4 R.I.S.

1 Open the R.I.S. carefully



2 Open the fuse box and change the fuse

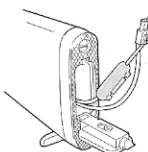


20A Glass Tube Fuse is used

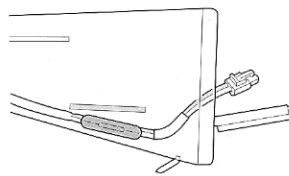


M15A4 S.P.C.

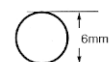
1 Open the cover and pull out the fuse box



2 Change the fuse and place the fuse box back under the rib



Never use any used BB pellets



Use new 6mm BB pellet is a must



Please don't use any BB pellet which is not completed.



Please don't use any broken BB pellet.



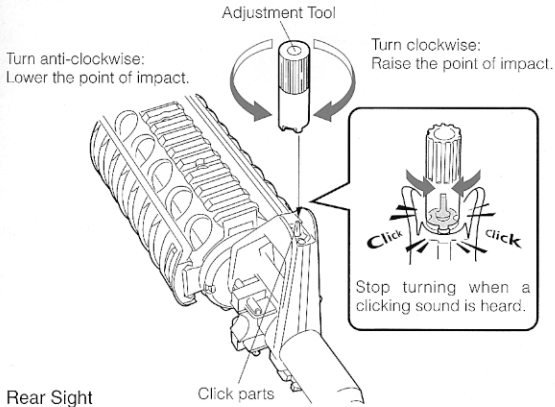
Please don't use any BB pellet which diameter exceed 6 mm.

4 Sight Adjustment

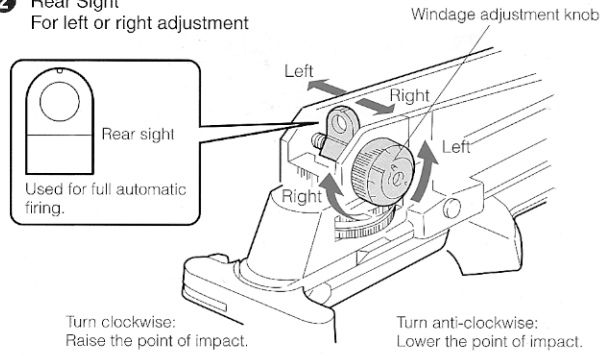


The front sight will come off if turning too much.

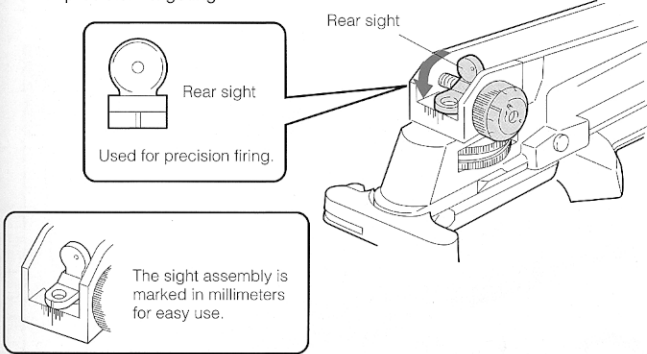
1 Front Sight Setting the point of impact



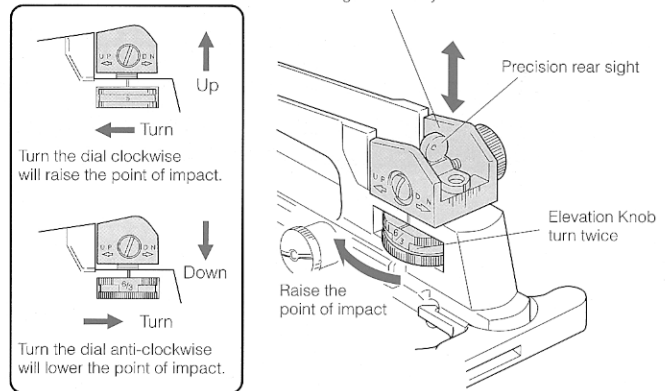
2 Rear Sight For left or right adjustment



3 Rear Sight For precision targeting

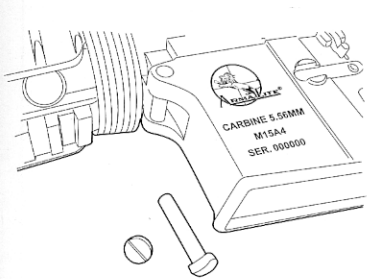


4 Rear Sight For up or down adjustment

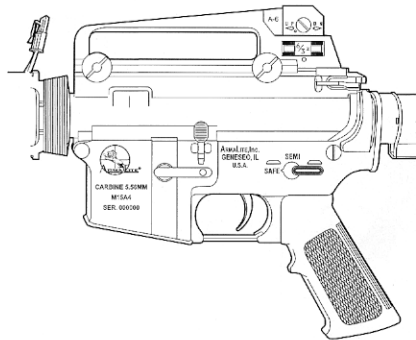


5 Proper Disassembling

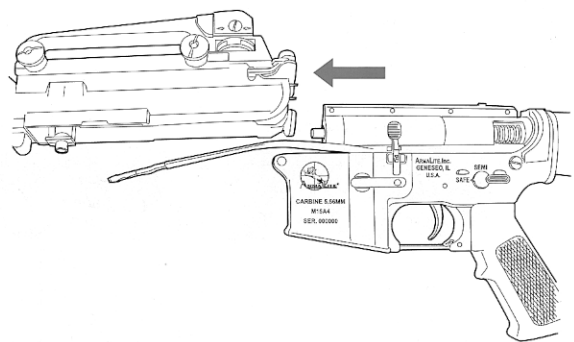
1 Remove the frame lock pin using a screw driver



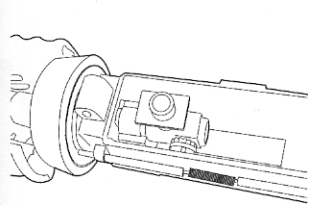
2 Move the upper receiver forward



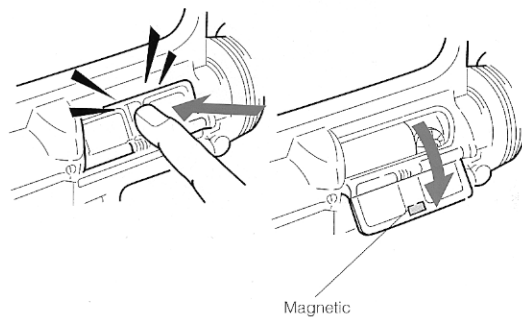
3 Separate the upper and lower receiver. Be careful of the wire



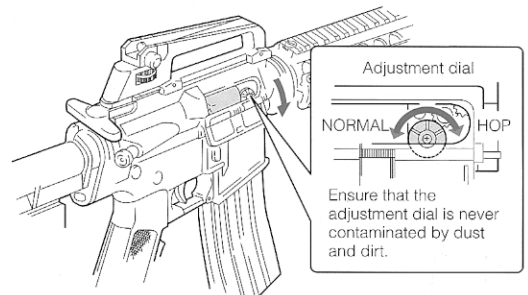
4 Pull out the barrel



5 Open the ejection port cover



6 Adjust the Hop-up chamber





6 WARNING

Always read this manual before usage.

WARNING
Never point the muzzle at people or animals.

WARNING
Please keep the rifles far away from children.

WARNING
Don't try to look at the muzzle directly.

WARNING
Always detach the magazine and battery from the gun during storage.

WARNING
Don't hang your finger on the trigger if you are not shooting.

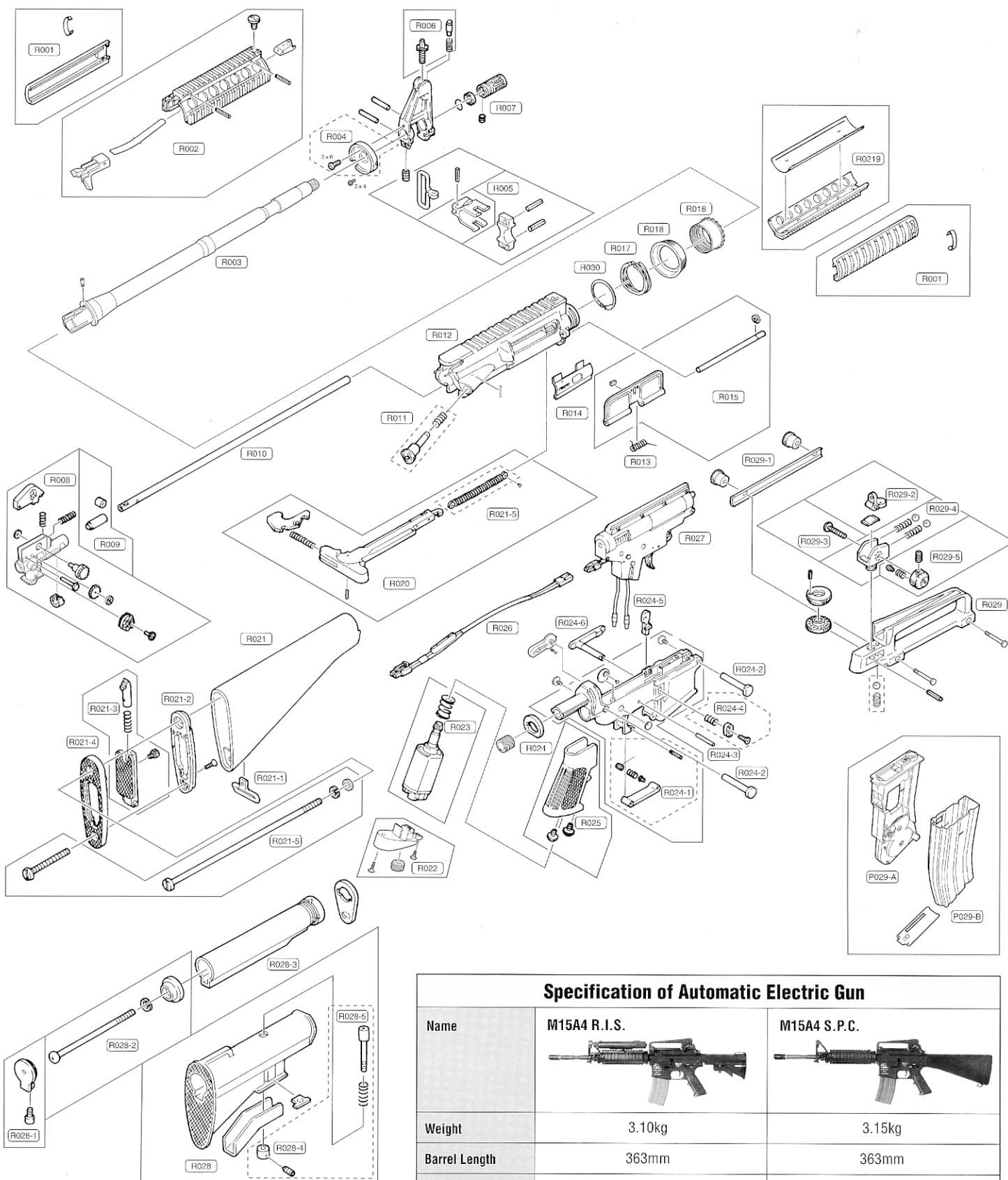
WARNING
Always use new pellets with high quality.
Never use pellets that has already been fired.

WARNING
Never load the rifle if you don't intend to fire it.

WARNING
Please remember to wear protective glasses or shooting glasses to protect the eyes.

In no event shall Classic Army or any of our partners be liable for any direct or indirect, special, incidental, or consequential damages in connection with the use of our products.

7 Exploded Diagram



Specification of Automatic Electric Gun

Name	M15A4 R.I.S.	M15A4 S.P.C.
Weight	3.10kg	3.15kg
Barrel Length	363mm	363mm
Barrel Caliber	6.08mm	6.08mm
Pellet Capacity	300	300
Pellet	6mm BB	6mm BB
Initial Pellet Speed	95m/sec	95m/sec
Battery Type	Mini Type (8.4V-10.8V)	Large Type (8.4V-10.8V)