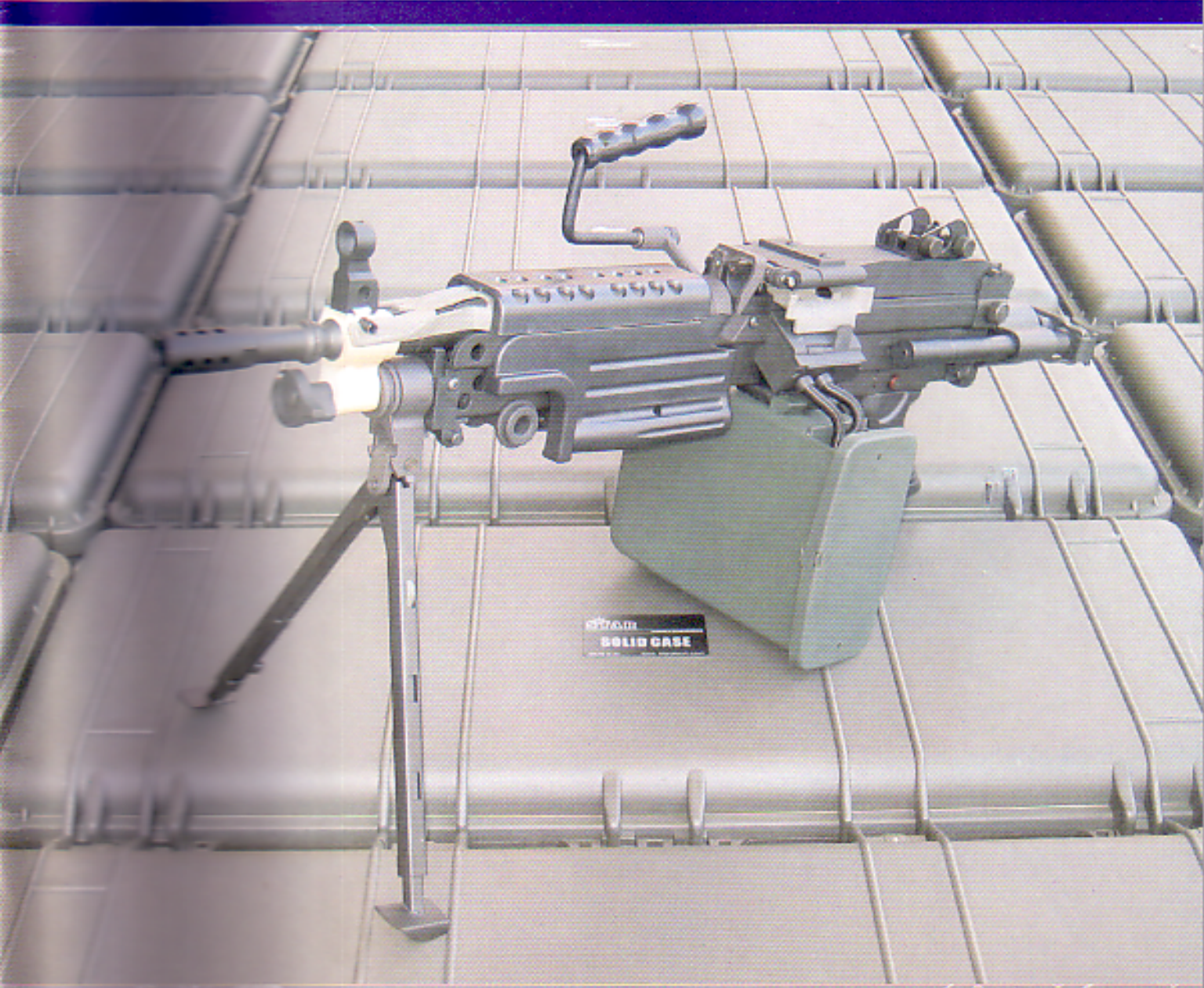
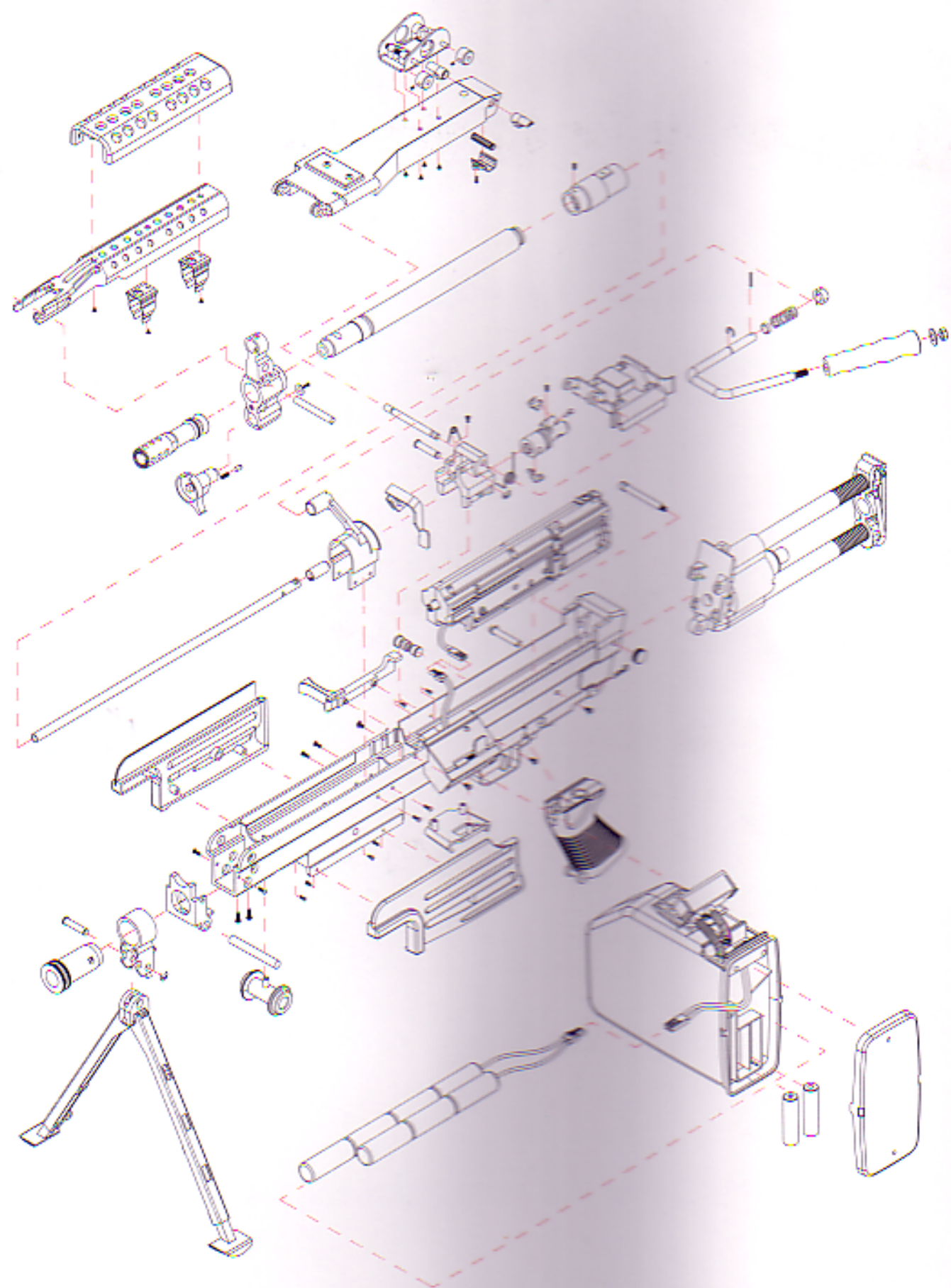


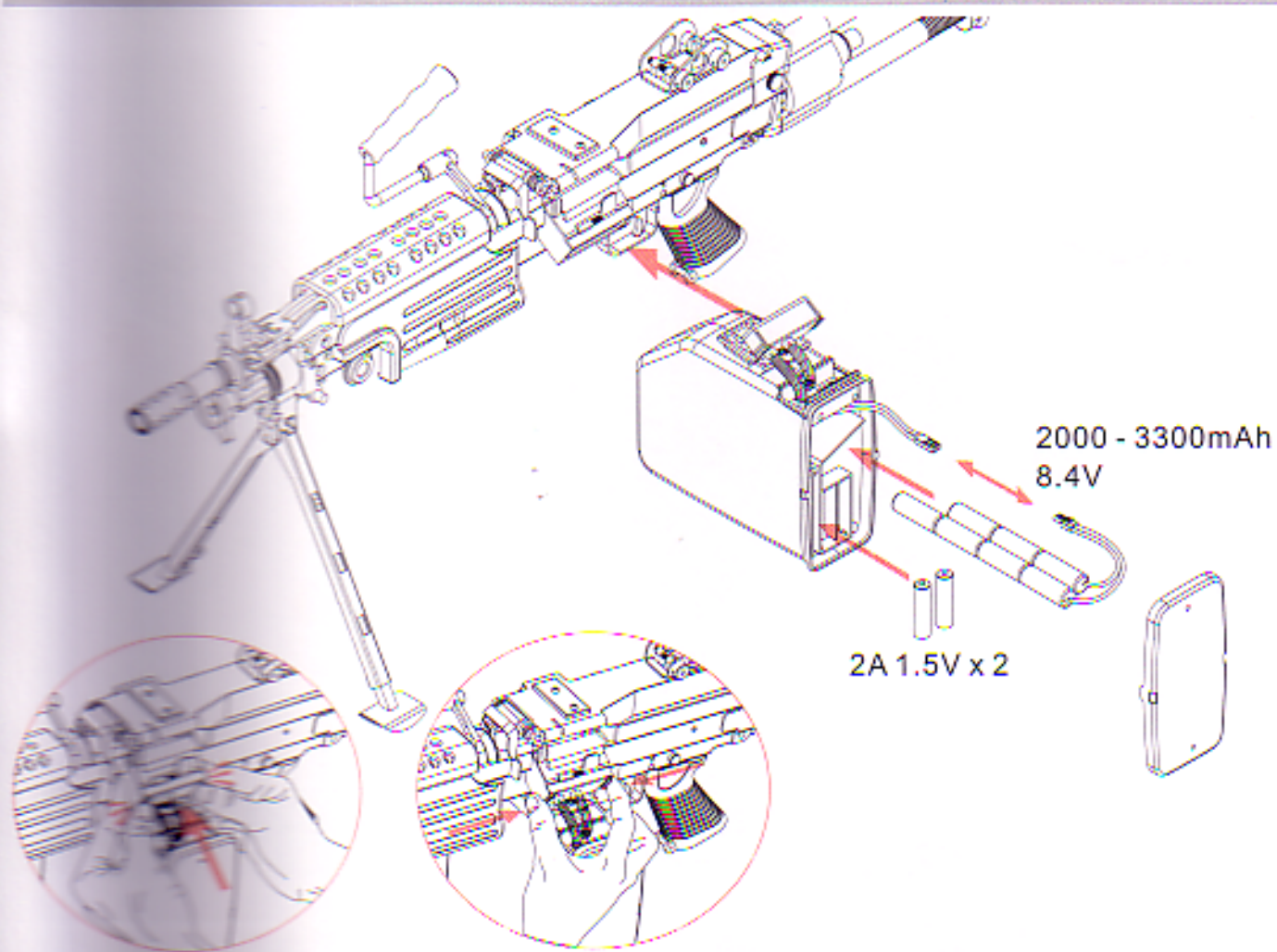
# M249 PARA



## M249 PARA EXPOSE PLAN

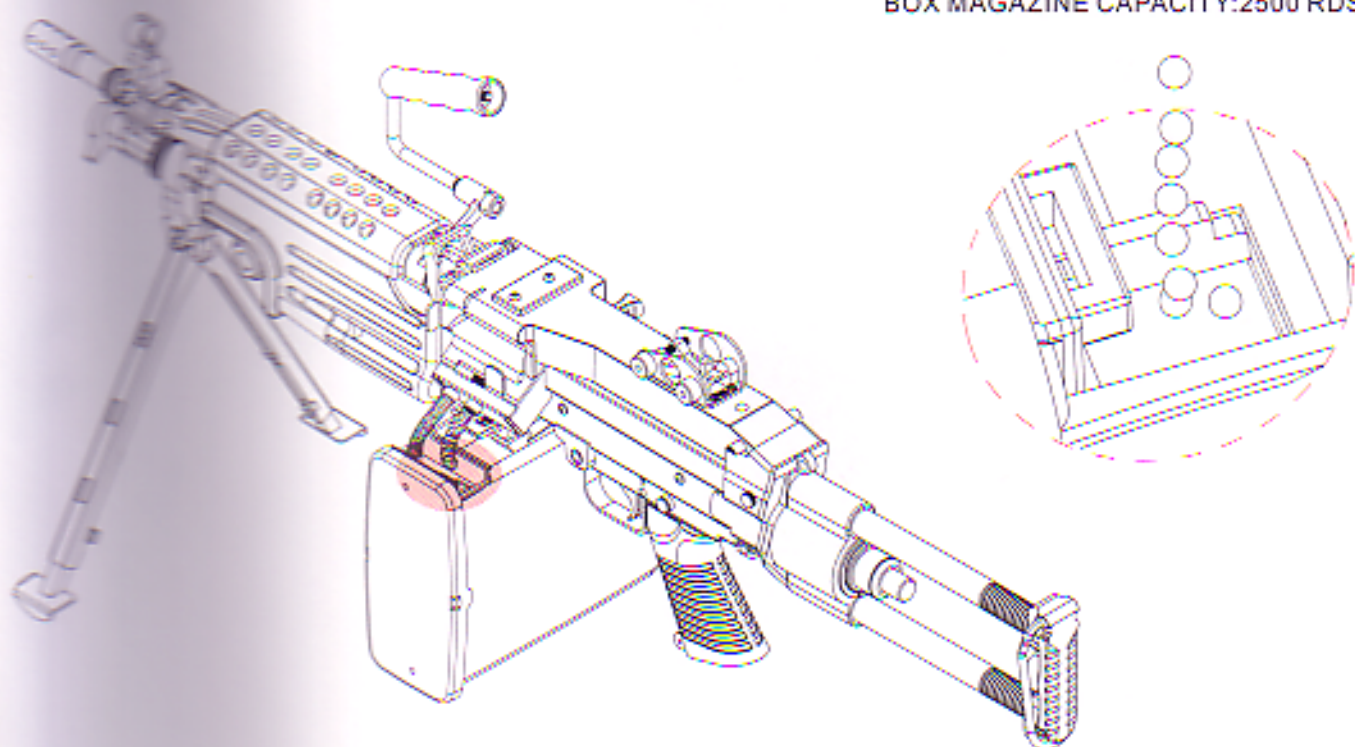


## BATTERY INSTALLATION

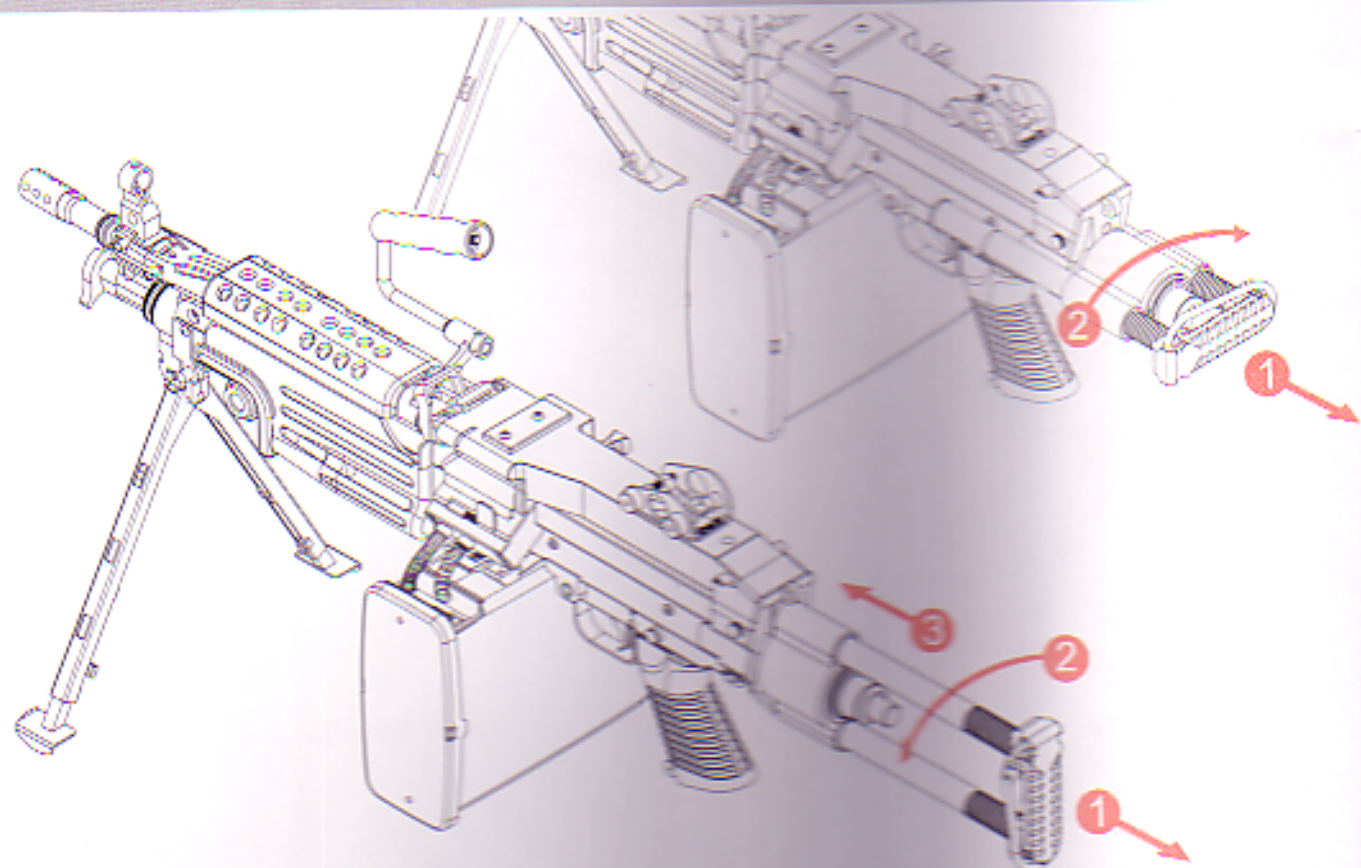


## BOX MAGAZINE LOADING

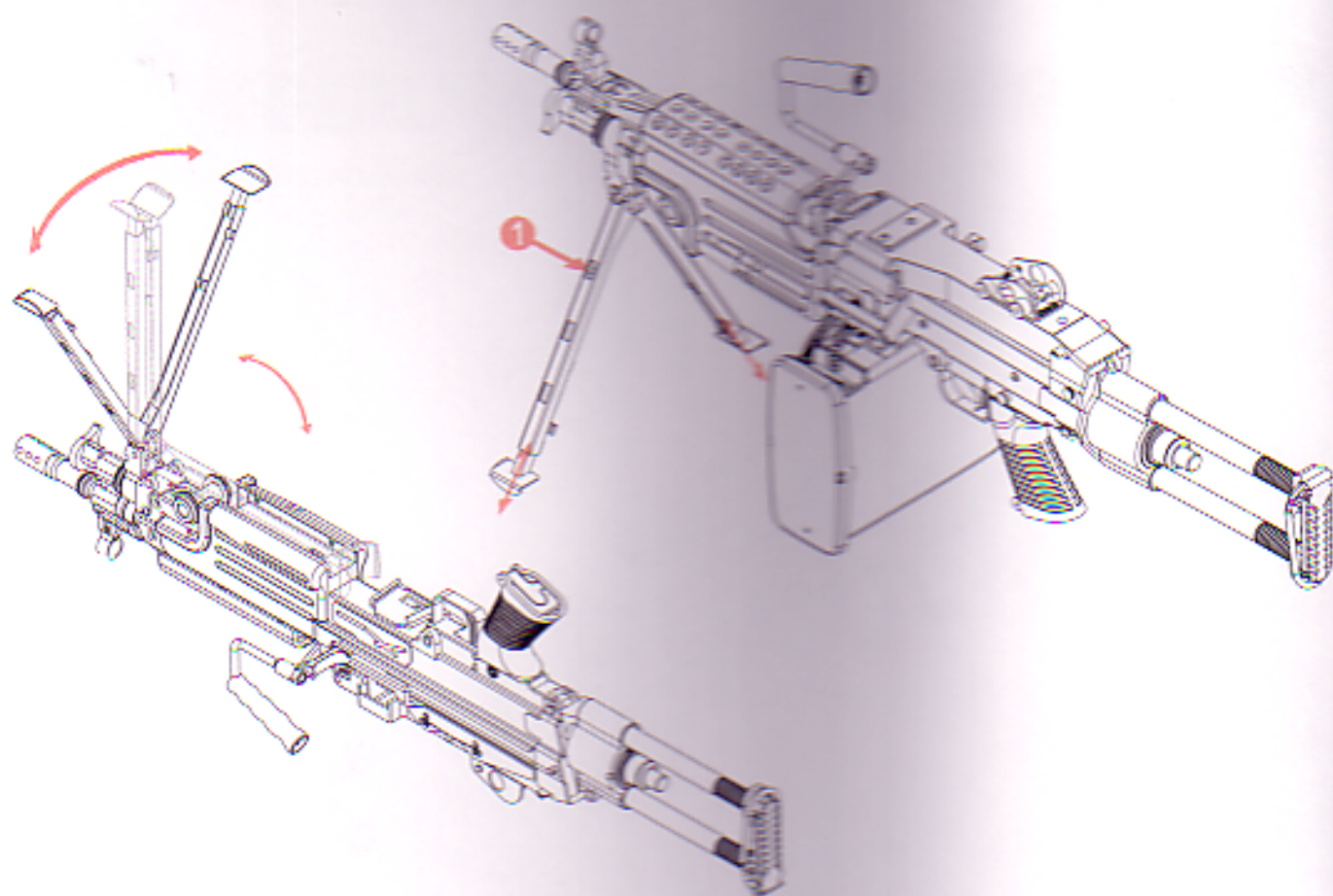
BOX MAGAZINE CAPACITY: 2500 RDS



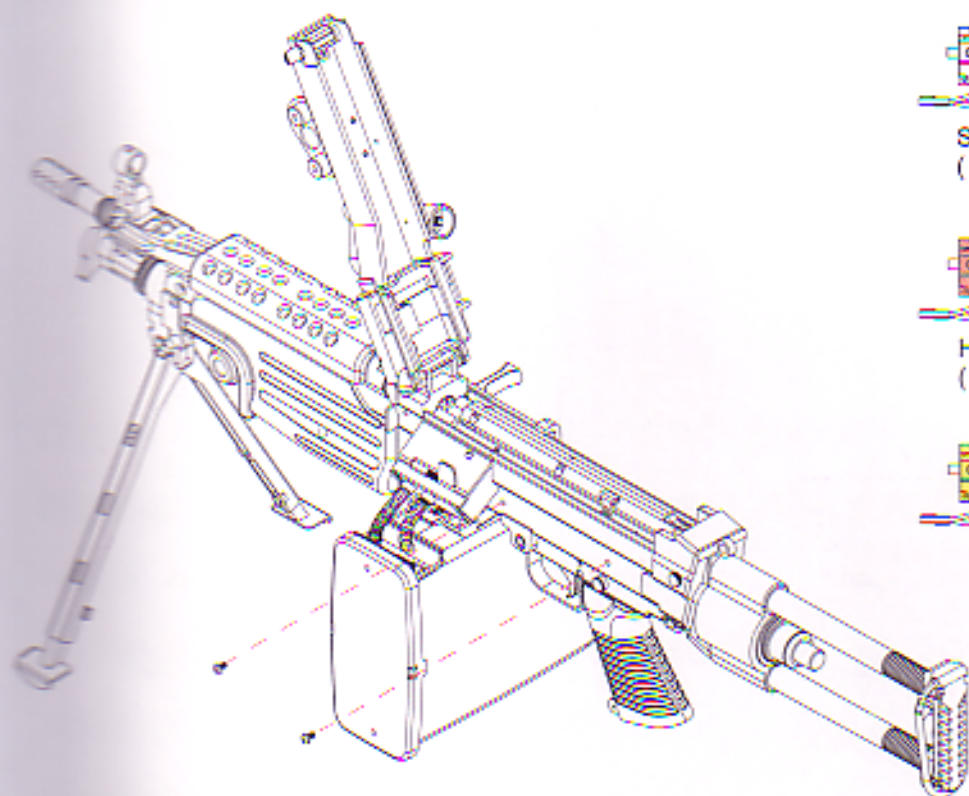
## BUD STOCK ADJUSTMENT



## UNDERPROP ADJUSTMENT



## GEAR BOX INSTALLATION



STANDRAD GEAR BOX  
(INCLUDED GB-249-02)

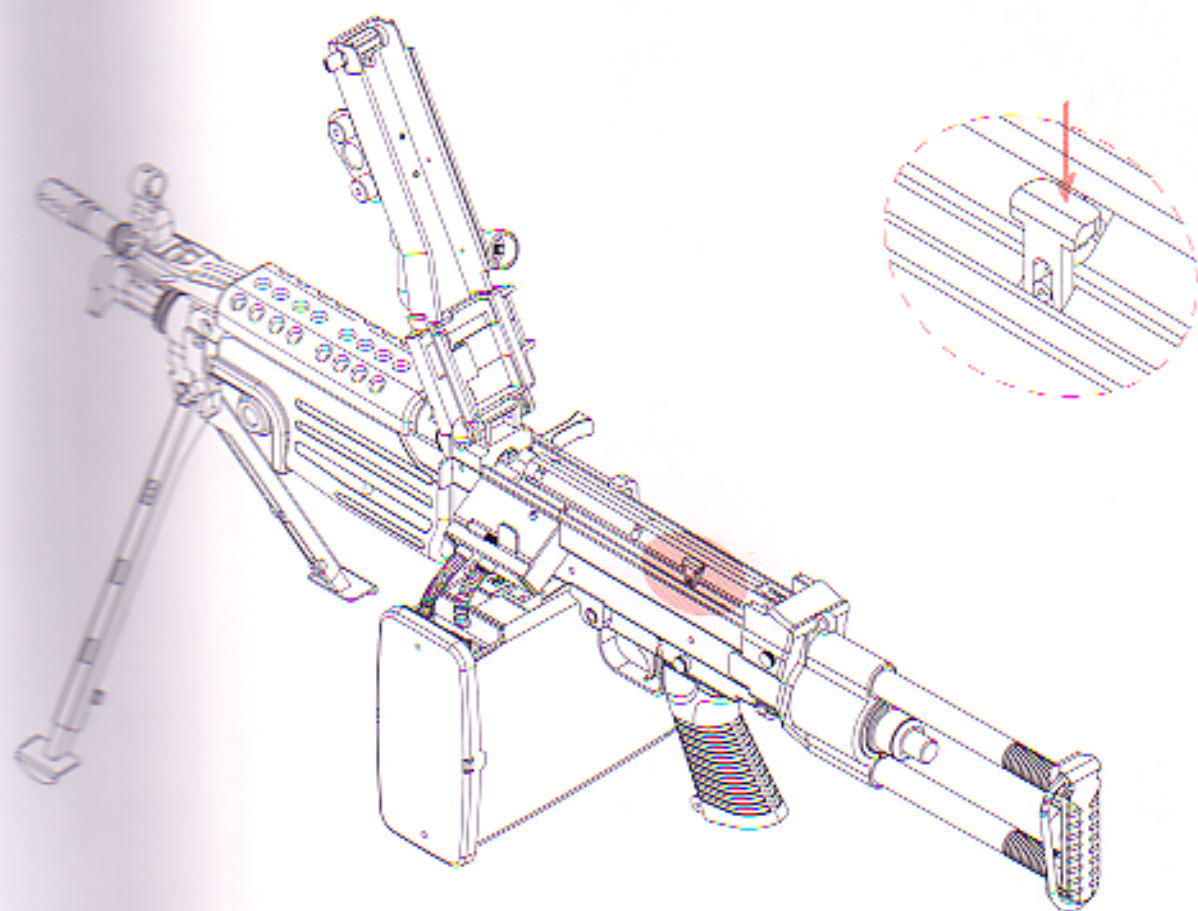


HIGH POWER GEAR BOX  
(OPTIONAL GB-249-01)

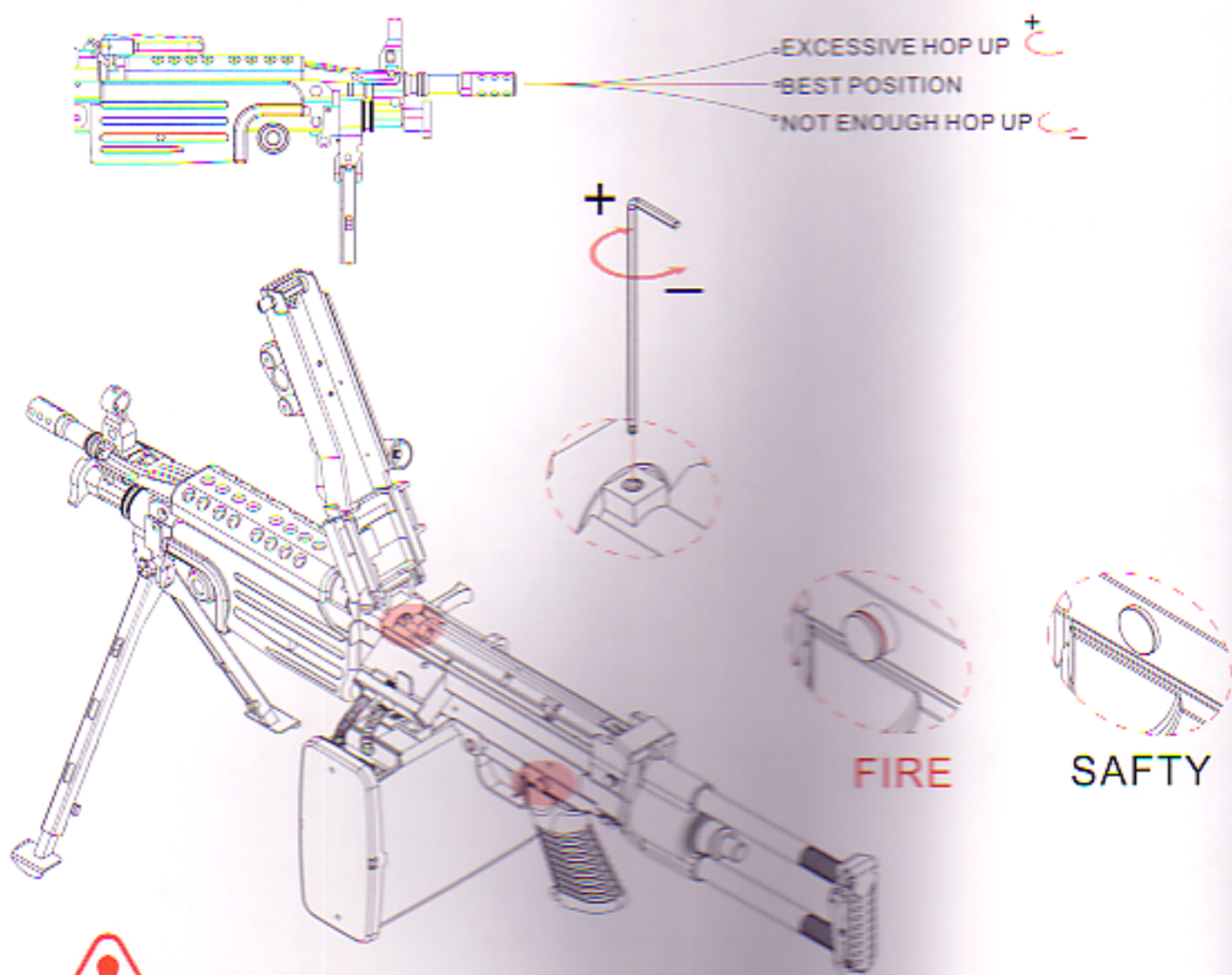


INERIOR GEAR BOX  
(OPTIONAL GB-249-03)

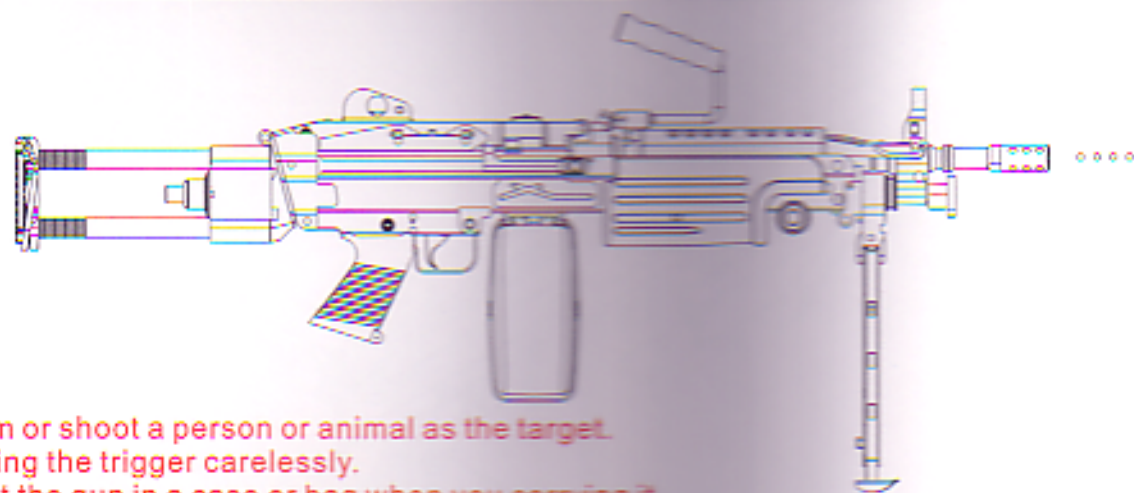
## SPRING RELEASE



## HOP-UP ADJUSTMENT



## WARNING



- .Do not aim or shoot a person or animal as the target.
- .Avoid pulling the trigger carelessly.
- .Always put the gun in a case or bag when you carrying it.
- .Always set the switch lever to the safety position.
- .Do not look into the gun muzzle.
- .Always wear eye protective gear.
- .Store the airsoft gun at the places out of reach by children.
- .Do not disassemble or modify the airsoft gun.

**Data of M249 PARA Airsoft Electric Gun**

**Material: Nylon Farbic and Zinc Alloy**

**HOP System: Adjustable**

**Length: 792mm/915mm (stock extended)**

**Weight: 2745g (net weight)**

**Barrel Length: 345mm**

**Magazine Capacity: 2500 rounds**

**Bullet: 6mm BB bullets**

**Battery: 8.4V battery (2000-3300mAH)**

**Motor: High Torque Flat Motor**

  
**STAR**  
AIRSOFT ACCESSORIES  
[www.starairsoft.com](http://www.starairsoft.com)