

# HANDLING CAUTIONS AND INSTRUCTION MANUAL

Automatic Electric Gun

# XTC-01





Xtreme Tactical Carbine



UNIVERSO SNIPER  
AIRSOFT

UNIVERSO SNIPER  
AIRSOFT

## WARNING!

-  NOT A TOY. USER RESTRICTED TO 18 YEARS OF AGE OR OLDER.
-  ALWAYS KEEP THE AIRSOFT GUN POINTED IN A SAFE DIRECTION. THIS AIRSOFT GUN MAY CAUSE SERIOUS INJURY IF MISUSED OR MISHANDLED.
-  ALWAYS READ THROUGH ALL INSTRUCTIONS BEFORE USING.
-  THE PURCHASER AND USER SHOULD CONFORM TO ALL LAWS GOVERNING OWNERSHIP, TRANSPORT AND USE OF AIRSOFT GUNS.

Surprising and Amazing always come with MODIFY

## ! CONTENT

<b>1</b>	<b>NOTES</b> .....	<b>P.02</b>
<b>2</b>	<b>SET CONTENTS</b> .....	<b>P.03</b>
<b>3</b>	<b>COMPONENT NAME</b> .....	<b>P.04</b>
<b>4</b>	<b>SELECTOR LEVER &amp; SAFETY SETTING</b> .....	<b>P.05</b>
<b>5</b>	<b>SETTING MAGAZINE</b> .....	<b>P.07</b>
<b>6</b>	<b>SETTING BATTERY</b> .....	<b>P.08</b>
<b>7</b>	<b>SETTING THE OPEN SIGHT</b> .....	<b>P.10</b>
<b>8</b>	<b>MOVABLE PARTS</b> .....	<b>P.12</b>
<b>9</b>	<b>FIRING</b> .....	<b>P.15</b>
<b>10</b>	<b>VARIABLE HOP-UP SYSTEM</b> .....	<b>P.17</b>
<b>11</b>	<b>MAINTENANCE</b> .....	<b>P.19</b>
<b>12</b>	<b>TROUBLE CLINIC</b> .....	<b>P.21</b>
<b>13</b>	<b>PARTS LIST</b> .....	<b>P.23</b>
<b>14</b>	<b>AFTER SERVICE</b> .....	<b>P.26</b>

**Always read through this manual before operation**

The contents of manual may be changed due to improved products.  
We would not give notice.

# 1 WARNING & CAUTIONS



Always wear eye protective gear. When shooting the airsoft gun for a target or game, you and all participants must wear goggles or other eye protective gear, also paying attention to ricochets. ( Pay sufficient attention also to third personnel other than participants.



Never aim or shoot a person or animal as the target.



BB pellets may be shot out even if the magazine is removed.



Never shoot the airsoft gun at places where people and cars pass cross.



Never shoot as joking, always look before shooting, the careless use may cause injure and be punished.



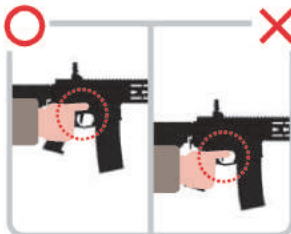
Avoid pulling the trigger carelessly.



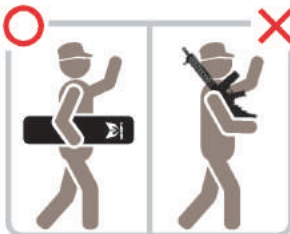
Never look into the airsoft gun muzzle.



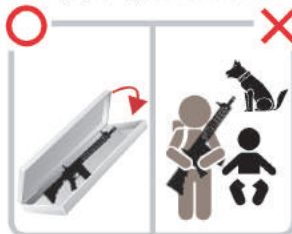
Never disassemble or modify the airsoft gun, it may cause the trouble.



Always keep your finger off the trigger until ready to shoot.



Do not carryout the airsoft gun in public place, put into a case or bag for carrying.



Store the airsoft gun at places out of reach by children.

# XTC-G1

Xtreme Tactical Carbine

## 2 SET CONTENTS



① XTC-G1



② Handling cautions and instruction manual



③ BB pellets



④ Front sight tool adjustment

### XTC-G1 Automatic Electric Gun Specification

Name	Xtreme Tactical Carbine-G1
Major Color	BLK / TAN
Weight	2.9 KG
Overall	804mm/ 889mm (when stock is extended)
Barrel Length	363mm
Barrel Caliber	6.1mm
Pellet	6mm BB
Magazine Capacity	190 rounds
Shooting Mode	Full Auto, Semi Auto and Safety (45° Ambi Safety Selector)
Muzzle Velocity (Adjustable)	Step 1 : 278 FPS Step 2 : 315 FPS Step 1 : 360 FPS Step 2 : 394 FPS

#### WARNING

- The operation procedure varies according to the model. Make sure to operate an airsoft gun after recognizing its features.
- We are not responsible for any accidents, events, injuries or repair costs arising from wrong operation and handling or by modification and disassembly of the gun.

#### Notice before operation :

- After receipt the **XTC-G1**, immediately unpack and inspect it for any shipping damage or missing parts. If any sign of damage or missing parts are found, immediately notify the dealer.
- Promptly request a copy if you lose the Handling Cautions and Instruction Manual.

### 3 COMPONENT NAME



#### Left Side

- 1 Flash Suppressor
- 2 Outer Barrel
- 3 Front Sight
- 4 KeyMod Rail
- 5 Upper Receiver
- 6 Bolt Catch
- 7 Mid-Cap Magazine
- 8 Trigger
- 9 Ambi Safety Selector- Left
- 10 Crane Stock
- 11 Stock Release Lever

#### Right Side

- 12 Stock Pad
- 13 Fuse Fixed Base (Only for the type of conductive slide rail)
- 14 Swivel Sling
- 15 Charging Handle
- 16 Ambi Safety Selector-Right
- 17 Grip
- 18 Magazine Release Button
- 19 Lower Receiver
- 20 Captured Receiver Pin
- 21 Rear Sight
- 22 Bolt Cover
- 23 Forward Assist Knob (movable)

# 4 SELECTOR LEVER & SAFETY SETTING

MODIFY Xtreme Tactical Carbine



⊙ Never operate the selector while pulling the trigger. Otherwise, malfunctions are possible, resulting in accidents.

⊙ Forced pulling the trigger with the Selector being set to safe may damage the airsoft gun.

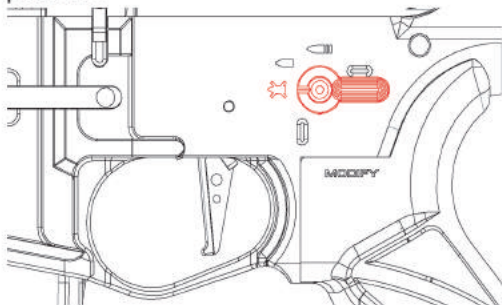
⊙ Set the selector correctly in position; otherwise, malfunction may occur.

## SAFE



### SAFETY Setting (The trigger cannot be pulled.)

When you are not firing the airsoft gun or during storage. Always set the selector to the Safe position.



## SEMI



### SEMI AUTOMATIC (Single Shot)

The airsoft gun will fire one shot each time the trigger is pulled.

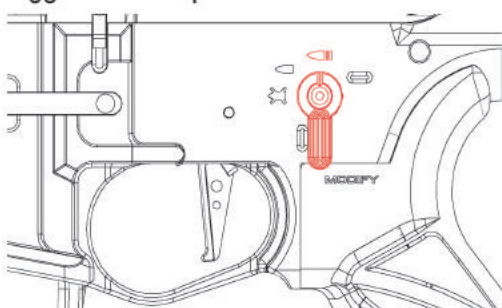


## AUTO



### FULL AUTOMATIC (Automatic Firing)

The airsoft gun will fire automatically while the trigger remains pulled.



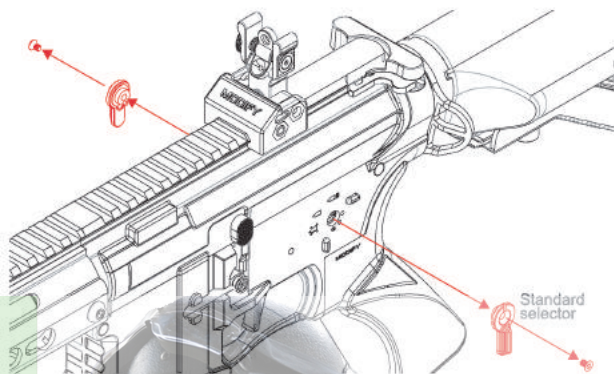
UNIVERSO SIMPER  
AIRSOFT

# 4 SELECTOR LEVER & SAFETY SETTING

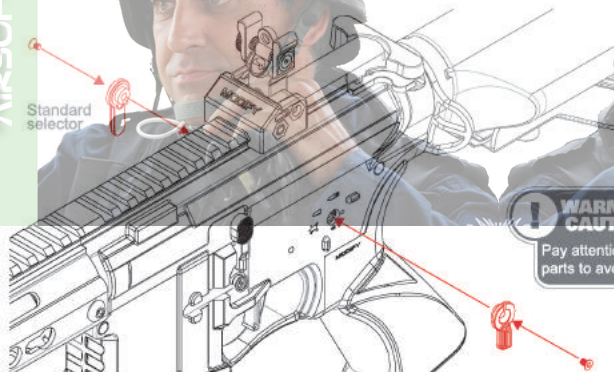
## LEFT How to swap the selector levers for left handed shooters



- 1) Loosen the screws from the left selector lever (standard) and right selector lever (short) to remove the levers.



- 2) Change the sides and fasten the levers with the screws.



- ※Ambi Safety Selector allows for a standard selector on the left for right handed shooters.

Standard  
(for dominant side)



Short



⊙Please always allow the airsoft gun to be parallel to the table when you swap the selector levers, avoid to losing the parts, e.g. the spring and the steel ball.

MODIFY Xtreme Tactical Carbine

UNIVERSO SNIPE  
AIRSOFT

UNIVERSO SNIPE  
AIRSOFT

# 5 SETTING MAGAZINE

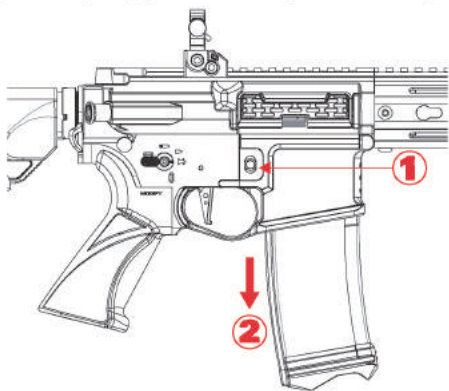
MODIFY Xtreme Tactical Carbine



⊙Overloading will cause jamming and feeding issue.

⊙Never use any used BB pellets. Always use the BB pellets supplied by MODIFY for this airsoft gun. We shall not be held responsible for any damage or accidents arising from the use of pellets supplied by other manufacturers.

1. Press the magazine release button as shown to detach the magazine. ( Support the magazine always as it may drop )



2. Open the cover of the magazine and feed BB pellets. About 190 pellets can be loaded. Avoid forcing BB pellets into the magazine.



3. Always set the magazine upwardly. The pellet hatch in the magazine needs to be parallel to muzzle's direction.



4. Hold the magazine horizontally and push upward until a click sound is heard .

UNIVERSO SIMPER  
AIRSOFT

UNIVERSO SIMPER  
AIRSOFT





## 6 SETTING BATTERY (Conductive slide rail)

MODIFY Xtreme Tactical Carbine



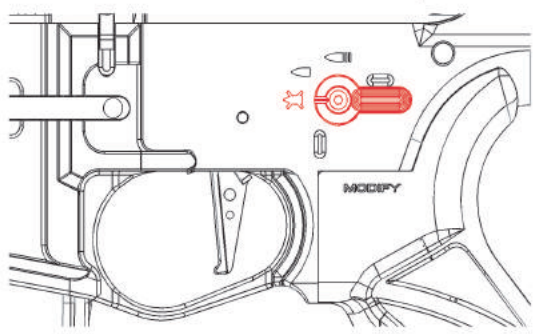
⊙ Conduct operations hereafter charging the battery.

⊙ The magazine is done under the condition that it is removed.

⊙ Stock must be fully collapsed before opening the stock cover.

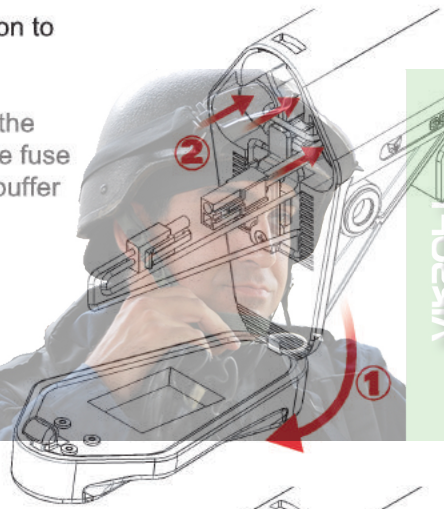


**Set fire selector to safe mode :**  
Please set the selector to the Safe position.



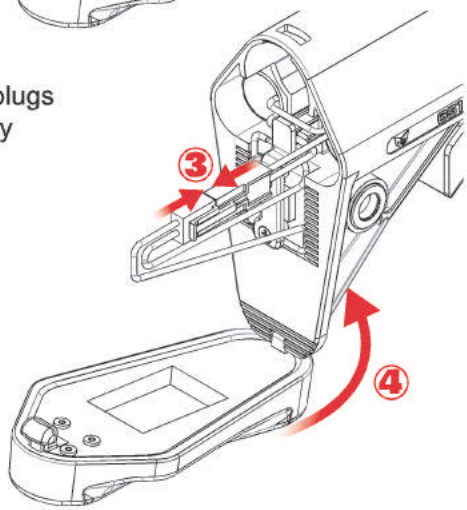
1) Slightly push the button to open the cover.

2) Slide the battery into the crane stock and tuck the fuse and plug back into the buffer tube.



3) Push the connector plugs together firmly until they click into place.

4) Close the butt stock cover.



UNIVERSO SIMPER  
AIRSOFT

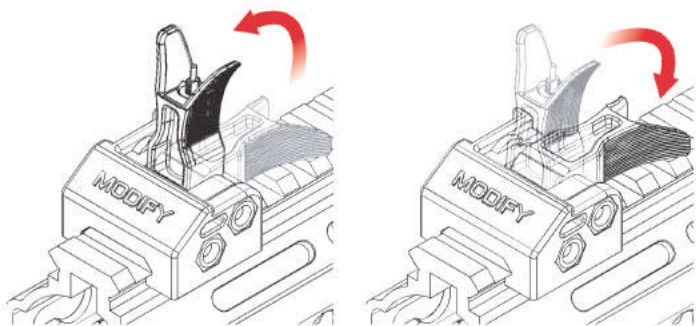
UNIVERSO SIMPER  
AIRSOFT

# 7 SETTING THE OPEN SIGHT

## FRONT SIGHT

### 1. Use the front sight :

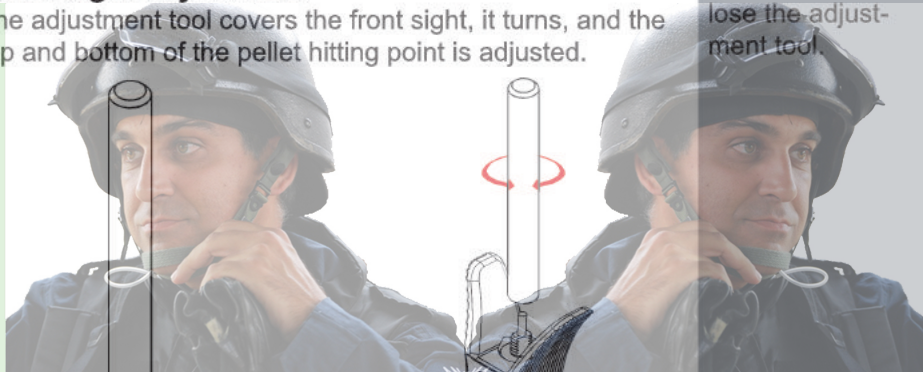
Lift the sight when using.



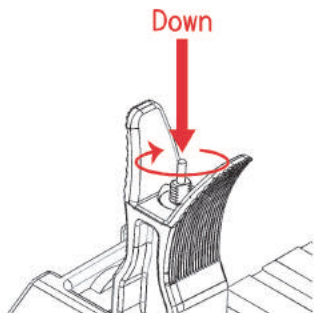
### 2. Front sight adjustment :

The adjustment tool covers the front sight, it turns, and the top and bottom of the pellet hitting point is adjusted.

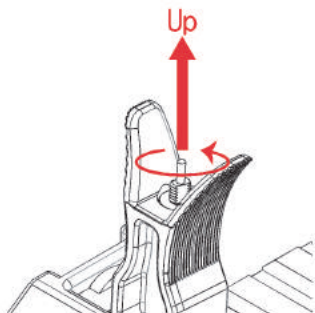
⊙ Be sure not to lose the adjustment tool.



Front sight  
tool adjustment



**1) Turning clockwise :**  
Down the sight post,  
raise up the pellet hitting



**2) Turning counterclockwise :**  
Up the sight post,  
lowers the pellet hitting point.

⊙ It may cause damage when tightening too much.

# 7 SETTING THE OPEN SIGHT

MODIFY Xtreme Tactical Carbine

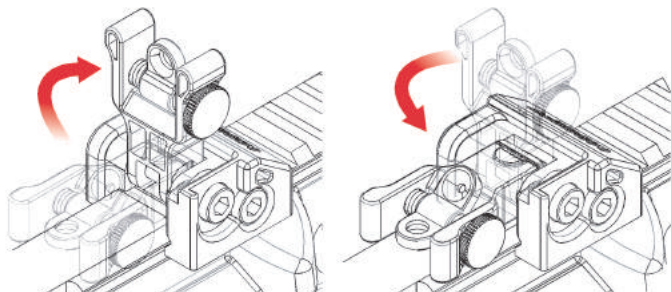


©Be carefully and don't get hurt when turning the rear sight.

## REAR SIGHT

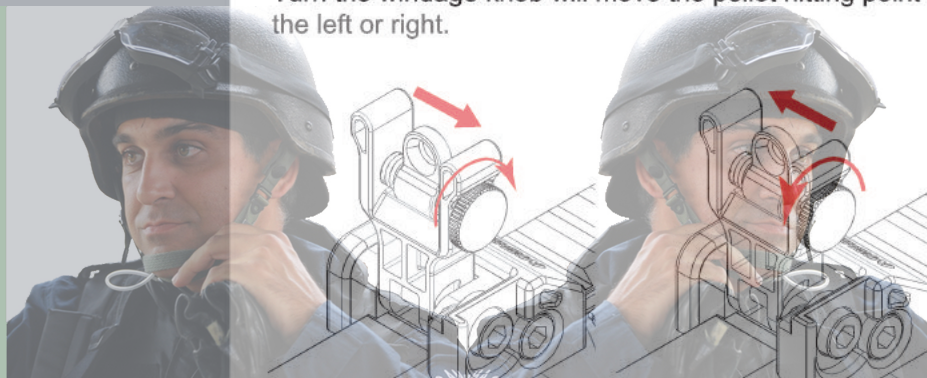
### 1. Use the rear sight :

Lift the sight when using.



### 2. Windage adjustment :

Turn the windage knob will move the pellet hitting point to the left or right.



#### 1) Forward :

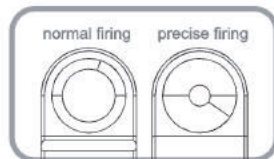
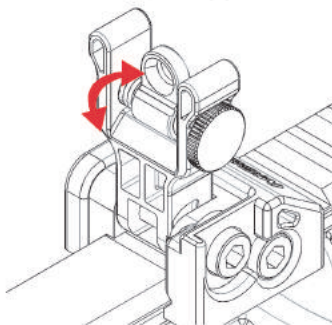
Move the firing sight to the right.

#### 2) Backward :

Move the firing sight to the left.

### 3. Firing sight :

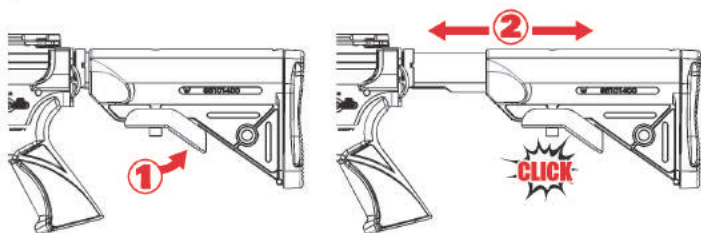
The firing sight can be flip up and down. Has separately normal firing and precise firing.



## 8 MOVABLE PARTS

### 1. Operate the Crane Stock :

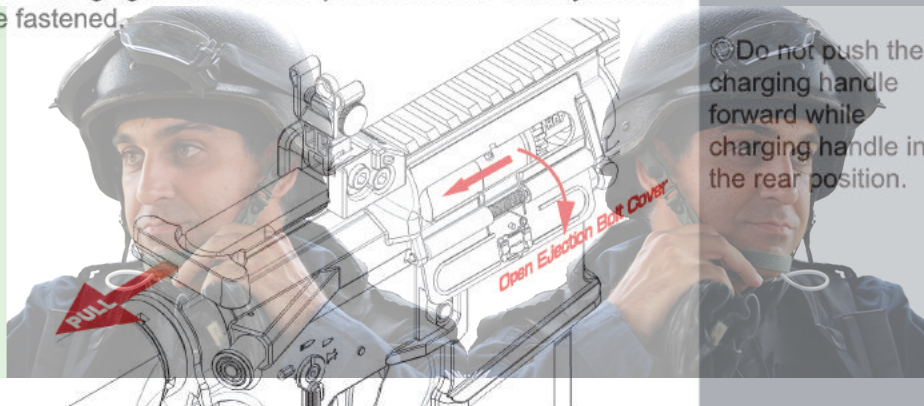
Adjust length of six positions, adjust to the most comfortable position.



- 1) Push the stock release button      2) Then adjust the stock position

### 2. Charging :

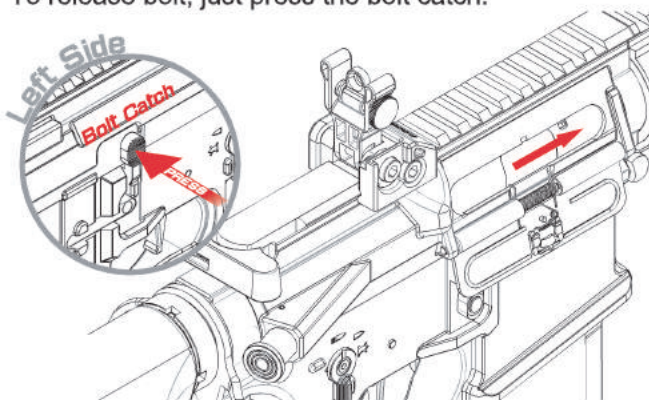
The Charging handle can be pulled and the dummy bolt will be fastened.



Do not push the charging handle forward while charging handle in the rear position.

### 3. Bolt Catch :

To release bolt, just press the bolt catch.



Be carefully and do not get hurt when press the bolt catch.



Be carefully and don't get hurt when using the crane stock.

# 8 MOVABLE PARTS

MODIFY Xtreme Tactical Carbine

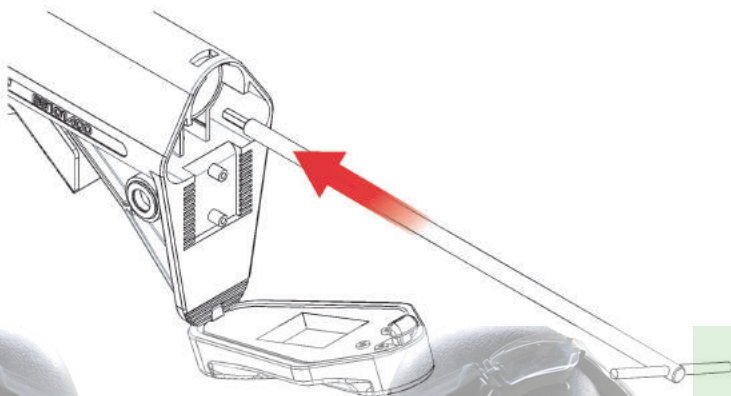
UNIVERSO SIMPER  
AIRSOFT



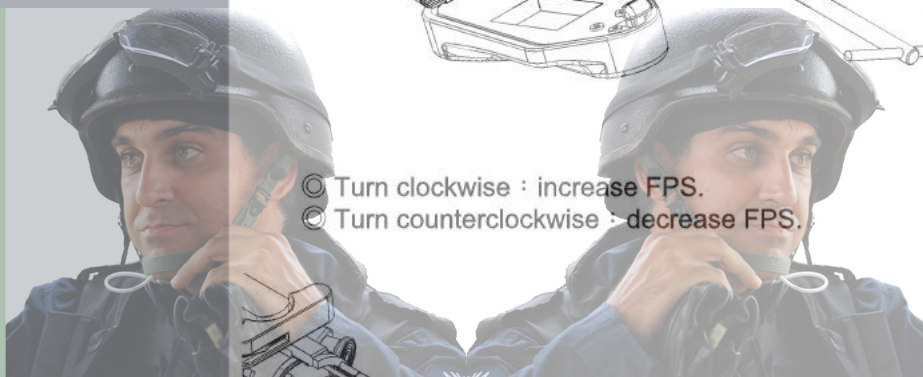
©The default is the maximum FPS : 315 FPS / 394 FPS ◦

## 1.How to adjust FPS :

- 1) Slightly push the button to open the cover.  
(Please read the page 8 ~ 9 before removing battery.)
- 2) Insert long hexagonal key.



- ⌚ Turn clockwise : increase FPS.
- ⌚ Turn counterclockwise : decrease FPS.

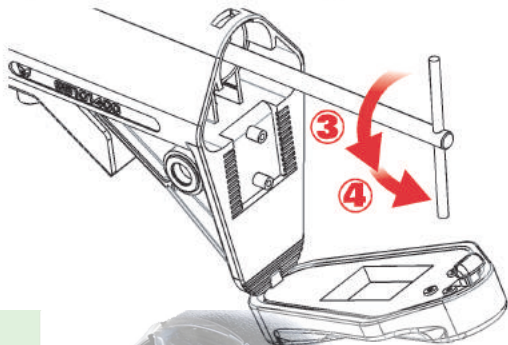


VIK20LI  
TFO25VU

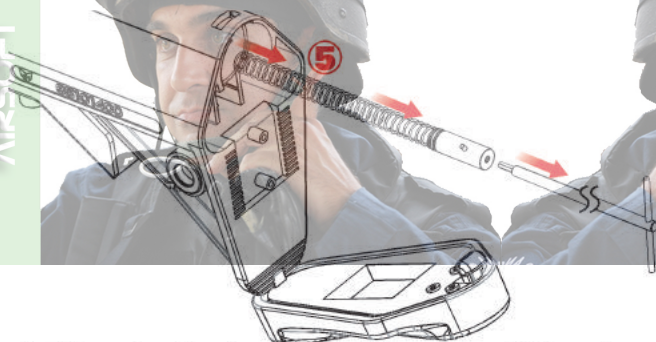
## 8 MOVABLE PARTS

### 1. Change spring :

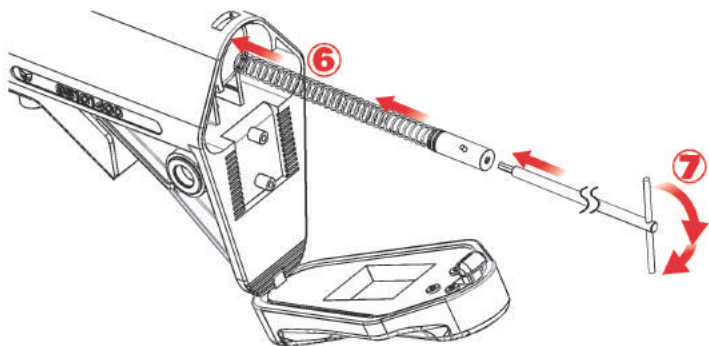
- 1) Slightly push the button to open the cover.  
(Please read the page 8 \ 9 before removing battery.)
- 2) Insert long hexagonal key.
- 3) Turn counterclockwise to decrease FPS.
- 4) Turn counterclockwise again to release spring.



- 5) Draw out spring and spring guide.



- 6) Follow the drawing to install the parts with long hexagonal key sequentially.
- 7) Turn clockwise to install the parts.



⊙ Before changing spring, stock must be fully collapsed and battery must be removed.

# 9 FIRING

MODIFY Xtreme Tactical Carbine

UNIVERSO SNIPER  
AIRSOFT

VIK2021  
UNIVERSO SNIPER



⊙ There are possible cases that no firing occurs after pulling the trigger in the semi auto mode. In this case, do not pull the trigger furiously. Fire 5 to 6 shots in the full auto mode and then return the semi auto operation.

⊙ Activating the trigger carelessly is extremely dangerous. Never put your finger onto the trigger unless you are ready to shoot a target.

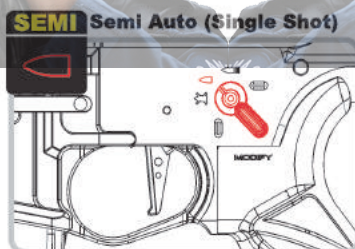
⊙ A blank firing may occur at triggering after setting the magazine, this is the normal operation of the gun.

**1. Confirm safety sufficiently before beginning firing. The model is equipped with ambidextrous safety selector. Please read warning on page 5 before shooting.**

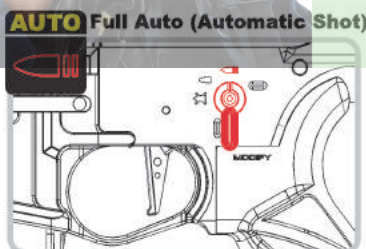
1) Make sure to set the magazine upwards and connect it firmly until a click sound is heard.



2) Set the Selector lever to "SEMI or AUTO"

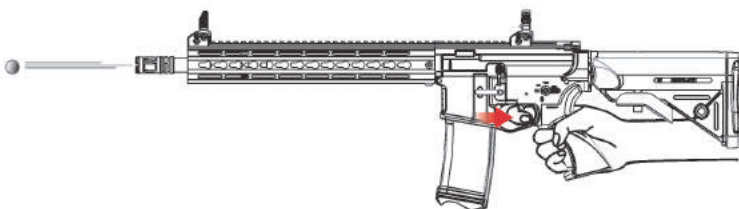


※ The gun will fire one shot each time the trigger is pulled.



※ The gun will fire automatically while the trigger remains pulled.

3) Pull the trigger.





# 9 FIRING

## 2. After Operation

1) Press the magazine release button, toward safe position to shot one blank firing then set the selector to the Safe position.

## 3. Caution on Motor and Battery

- 1) Charge the battery or replace with a fully charged one if the firing cycle (rate of fire) becomes slow.
- 2) Give the airsoft gun a rest for 5 to 10 minutes after firing about 500 rounds, in order to ensure long service lives of the motor and the battery.

## 4. When Pellets Are Clogged

If pellets are clogged, remove the magazine and pellets. Apply a few drops of silicone oil into the chamber from the magazine entrances or spray silicone oil for 0.5 to 1 sec to obtain smooth continuous firing. If you can't solve the problem, please contact the nearest authorized dealer for service.



MODIFY Xtreme Tactical Carbine

UNIVERSO SIMPER AIRSOFT

©Never use WD40, CR556 or other mineral oil.

©Please read the warning on page 2 before shooting.



# 10 ADJUSTABLE HOP-UP SYSTEM

MODIFY Xtreme Tactical Carbine



⊙ Never use any used and dirty pellets.

⊙ Moving the adjustment dial too much towards HOP may cause clogging of pellets. If pellet clogging occurs, immediately stop firing, return the hop to the normal position, and remove clogging pellets, otherwise the piston and gears will be damaged, if it continues shooting then.

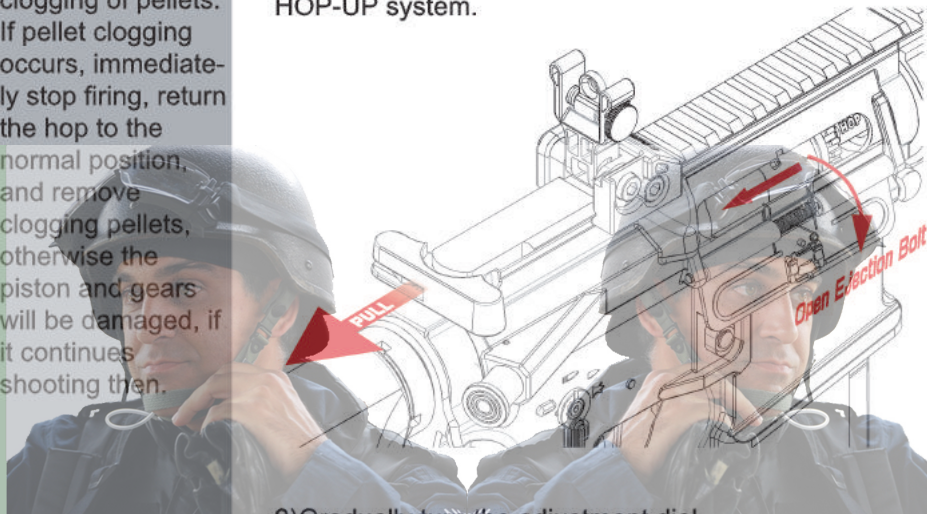
## 1. Adjustable Hop-Up System :

By producing a back-spin on the BB pellets, this system allows for horizontal shooting toward a long distance target. The Modify adjustable HOP-UP system can tune finely that a spin stars using the adjustment dial.

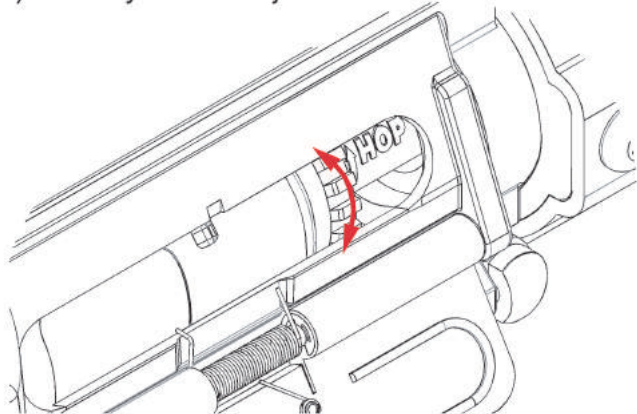
## 2. Method of adjustment :

Adjust by carrying out trial firing, referring to page 15 "Firing"

1) Pulling the charging handle can open bolt cover to adjust HOP-UP system.



2) Gradually turn the adjustment dial.

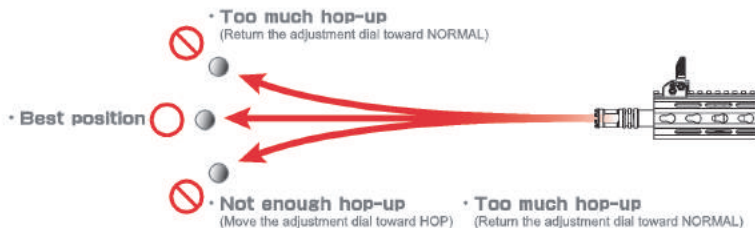


※ Turning excessively adversely affects the trajectory. So, stop turning the hop up adjustment dial when pellets fly horizontally.

# 10 ADJUSTABLE HOP-UP SYSTEM

## 3. Adjustment Procedure :

1) The best position is where the pellets fly horizontally and the longest flying distance is obtained.



• Dial up pellet will float up.

• Dial down pellet will fall down.

2) When about 5,000~10,000 rounds are fired, spray silicone oil to the chamber for 0.5 to 1 sec.

### When Hop Up is improper

Symptom	Cause	Action
Severe flying up.	Too much HOP setting.	Gradually return adjustment dial towards Normal.
Short flying distance of pellets. (less hopping up effect)	Too much HOP setting.	Fire pellets equivalent to 4 or 5 magazines or clean the chamber using the cleaning rod.
	Hop Up bucking is contaminated by oil or dirt.	Purchase the replacement part at your dealer or from Modify and replace it.
	Badly worn hop up bucking.	Use the BB pellet supplied by MODIFY.
Cannot adjust	Damaged adjustment dial or other worn parts.	Clean using the cleaning rod or consult your dealer or MODIFY for repair.
Frequent pellet clogging	Too much HOP setting.	Use the BB pellet supplied by MODIFY.
	Improper or too large sized BB pellets.	Clean using the cleaning rod or consult your dealer or MODIFY for repair.
	Dirty bore.	



⊙ Never hold the airsoft gun sideways as the BB pellets will curve right or left. This is due to the Hop-Up system.

# 11 MAINTENANCE

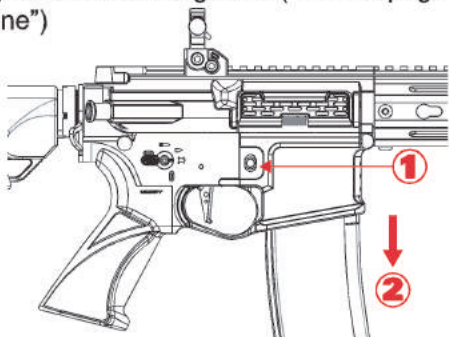


## WARNING CAUTION

⊙ Since clogged pellets may jump out at a high speed, always wear goggles and confirm safety.

### 1. Removing Clogged Pellets ( Set the safety ) :

1) Remove the magazine ( refer to page 7 "Setting Magazine" )



2) Return the hop up to the normal position and insert the cleaning rod from the lead edge of the barrel (referring to page 17 "Adjustable Hop-Up System")



3) Always insert the cleaning rod by the angle part facing down, and remove clogged pellets.

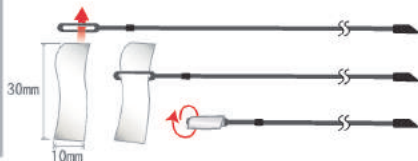


### 2. How to use a cleaning rod :

Cut a cotton cloth to the size as shown and insert one end into the hole in the rod. (Adjust the length of the cloth for smooth entry into the barrel)



Inserting the rod will be difficult if you hold rod at the end.

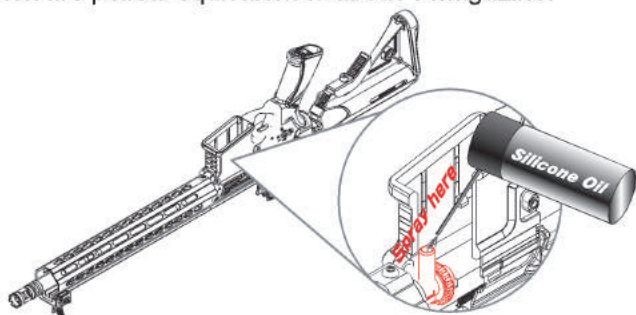


Hold at the leading of the rod and insert the rod into the barrel while turning the rod.

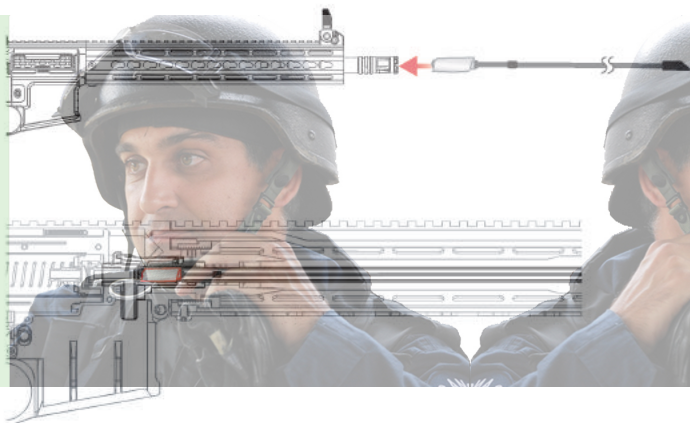
# 11 MAINTENANCE

## 3. Cleaning in Chamber :

1. Drop a few drops of silicone oil from the pellet entrance, then fire pellets equivalent to about 1 magazine.



2. Use the cleaning rod (with cotton) as shown, to remove the excess oil to complete the maintenance.



## ! WARNING CAUTION

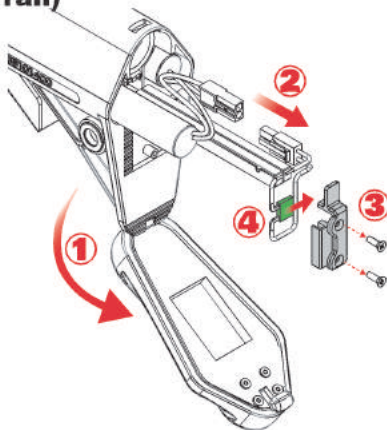
⊙ Always begin the maintenance by returning the Hop-Up to the normal position.

⊙ The inside chamber is a precision component, it can be damaged easily. Be careful during maintenance.

Never use any used BB pellets or poor BB pellets.

## 4. Fuse replacement procedure : (Only conductive slide rail)

- 1) Push the button and open the stock
- 2) Take out the battery
- 3) Loosen two screws.
- 4) Remove the fuse.



⊙ The fuse may blow out due to the electrical over current. Malfunctions of the internal mechanism are the possible reasons. Please check possible faulty parts and then connect the battery again.

# 12 TROUBLE CLINIC

MODIFY Xtreme Tactical Carbine

	Symptoms	Cause	Action
1	BB pellet travels upward	Too much Hop-Up setting.	Gradually return adjustment dial towards Normal.
2	Short flying distance of pellets. (less Hop-Up effect)	Too much Hop-Up setting.	Gradually return adjustment dial towards Normal.
		Hop-Up bucking is contaminated by oil or dirt.	Fire pellets equivalent to 4 or 5 magazines or clean the chamber using the cleaning rod.
		Worn Hop-Up bucking.	Purchase the replacement part at your dealer or from Modify and replace it.
3	Cannot adjust	Damaged adjustment dial or other worn part.	Purchase the replacement part at your dealer or from MODIFY and replace it.
4	Frequent pellet clogging	Poor BB pellet (distorted in roundness)	Use the BB pellet supplied by MODIFY.
		Too much Hop-Up setting	Gradually return adjustment dial towards Normal.
		Dirty Hop-Up packing	Clean using the cleaning rod or consult your dealer or MODIFY for repair.
5	Motor is running but no pellet can be fired.	Pellets are clogged inside the magazine.	Insert the charging rod into the magazine and move it up and down a few times.
		Pellets are clogged in the chamber.	Remove clogged pellets using the cleaning rod.
		Faulty gear or internal components was damaged.	Purchase the replacement part at your dealer or from Modify and replace it.
6	BB pellets roll out from the barrel	Poor BB pellet (too small sized BB pellets)	Use the BB pellet supplied by MODIFY.
		Worn or damaged hop up bucking.	Purchase the replacement part at your dealer or from Modify and replace it.
7	Overly loud operating noise	Piston problem caused by too many blank firing.	Purchase the replacement part at your dealer or from Modify and replace it.
		Worn or damaged gears.	Purchase the replacement part at your dealer or from Modify and replace it.
			Adjust motor base plate.

Xtreme Tactical

# 12 TROUBLE CLINIC

Symptoms	Cause	Action
8 Malfunction of full auto	Insufficient battery power.	Charge the battery.
	Faulty pellet feed of magazine.	Repair clogging of the magazine.
9 Malfunction of semi auto	Insufficient battery power.	Charge the battery.
	Poor electric connection.	Consult your dealer or Modify overhaul maintenance or repair.
	Worn or damaged hop up bucking.	Purchase the replacement part at your dealer or from Modify and replace it.
	Worn or damaged piston set (O-ring, piston, spring)	Purchase the replacement part at your dealer or from Modify and replace it.
	Shortage of silicone oil.	Place a few drops of silicone oil onto the upper chamber.
	Deviation in gear timing.	Fire 5-6 rounds in full auto then switch back to semi auto again.
	Gear problem caused by too many blank firing.	Purchase the replacement part at your dealer or from Modify and replace it.
Selector dial is set to safety.	Set the selector to AUTO or SEMI.	
10 No operation at all	Battery is dead.	Replace or Charge the battery.
	Battery connector is disconnect.	Connect the connector.
	Expired motor life (50,000 to 60,000) or poor motor electrical connection.	Replace the dead motor. Check and repair the motor.
	The fuse blew out.	Replace the fuse.
11 If gun gets wet	Stop operation immediately, disconnected the battery. Wipe off water from inside the body and battery also. After confirmation the gun is completely dry, test fire. If there has no operation, please contact your local dealer for repair.	

# XTC-01

Xtreme Tactical Carbine

## 13 PARTS LIST



XTC-01	Front Sight	XTC-07	Outer Barrel	XTC-13	Charging Handle Set
XTC-02	Key Mod Rail	XTC-08	Bolt Cover	XTC-14	Inner Barrel
XTC-03	Rear Sight	XTC-09	Upper Receiver	XTC-15	Hop Up Spring
XTC-04	Gas Tube	XTC-10	Rear Base	XTC-16	Hop Up Bucking
XTC-05	Gas Block	XTC-11	Rear Lock Ring	XTC-17	Hop Up Chamber
XTC-06	Flash Suppressor	XTC-12	Barrel Nut	XTC-18	Gear Box Set
XTC-48	Flash Suppressor (Orange tip)				



# 13 PARTS LIST

UNIVERSO SIMPER AIRSOFT

VIRZOLI AIRSOFT



XTC-19	Selector Lever Gear Set	XTC-26	Right Ambi Safety Selector	XTC-33	Motor
XTC-20	Spring-M110 / Spring-M80	XTC-27	Gear Box Pin	XTC-34	Magazine Housing Set
XTC-21	Swivel Sling	XTC-28	Bolt Catch	XTC-35	Magazine Body
XTC-22	Spring Guide	XTC-29	Magazine Catch Set	XTC-36	Magazine Base Plate
XTC-23	Lower Receiver	XTC-30	Take Down Pin Set ( Front )	Option	
XTC-24	Take Down Pin Set ( Rear )	XTC-31	Grip	XTC-37	Bhive 150-Round AEG Tracer Magazine
XTC-25	Left Ambi Safety Selector	XTC-32	Motor Base Plate	XTC-38	J-Mag 300-Round AEG Tracer Magazine

## 13 PARTS LIST

UNIVERSO SMIPER  
AIRSOFT

UNIVERSO SMIPER  
AIRSOFT



XTC-39	Stock Buffer Tube A	XTC-42	Crane Stock Set	XTC-45	Fuse Fixed Base
XTC-40	Buffer Tube Retainer	XTC-43	Stock Pad	XTC-46	Fuse Set
XTC-41	Stock Release Lever Set	XTC-44	Stock Buffer Tube B	XTC-47	Fuse

## 14 AFTER SERVICE

### ■ Limited Warranty

1. Modify warrants the AEG against defects in material and workmanship for a period of one month from the date of original purchase ( "Warranty Period").
2. Warranty coverage : Internal parts of gear box (The external parts and electric motor are not covered by warranty)
3. We inspect and test each product before delivery to customer. In warranty period, the repair service will be provided by our certify technician after determine the problem of damage defects in materials and workmanship. ( Not including the shipping cost)

### ■ This warranty does not apply :

1. to damaged caused by accident, abuse, misuse, misapplication, or non-Modify products.
2. to against the correct operation of original manufacture.
3. to disassembly or modify by unauthorized person. To the products not purchase from Modify authorize dealer with valid warranty card.
4. Irresistible natural disaster: such as fire, earthquake, floods and so on.

### ■ Maintenance & Replacement parts

1. The Hop-Up bucking and few parts will be recommended to change each 30,000 rounds BB pellets shoot.
2. We may unable to provide match series number on replacement parts.
3. If you unable to obtain locally, please check [www.modify.com.tw](http://www.modify.com.tw) for more information.



Modify website  
[www.modify.com.tw](http://www.modify.com.tw)



Modify facebook  
Modify Airsoft Guns  
and Upgrade Parts

UNIVERSO SIMPER  
AIRSOFT



UNIVERSO SIMPER  
AIRSOFT



MODIFY and its logo are registered trademarks.  
We promise our customers the best services and premium quality products with value.  
Please visit our website at [www.modify.com.tw](http://www.modify.com.tw) and leave your comments.

**MODIFY-TECH CO., LTD.**

**T** 886-3-379-8879

**F** 886-3-369-5091

**E** [service@modify.com.tw](mailto:service@modify.com.tw)

**A** NO.21, Ln.384, Yongfeng Rd. Bade Dist, Taoyuan City 33466, Taiwan