

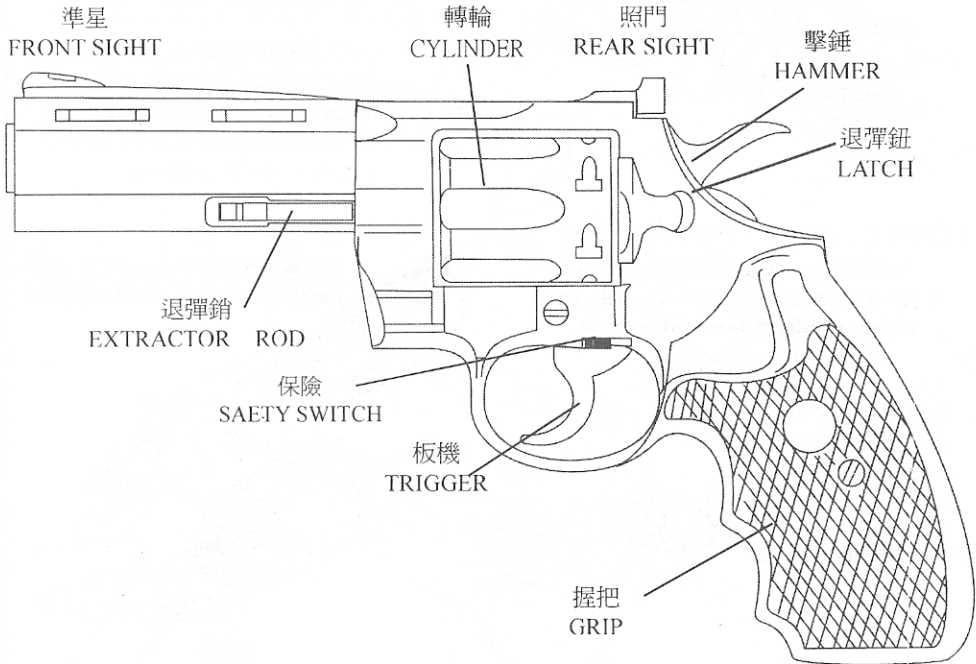


REVOLVERS

P.357mag. 2½inch/4inch/6inch

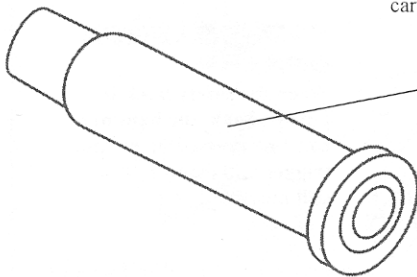
說明書

INSTRUCTION



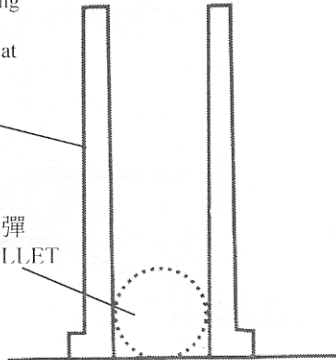
將 BB 彈如圖裝入彈殼

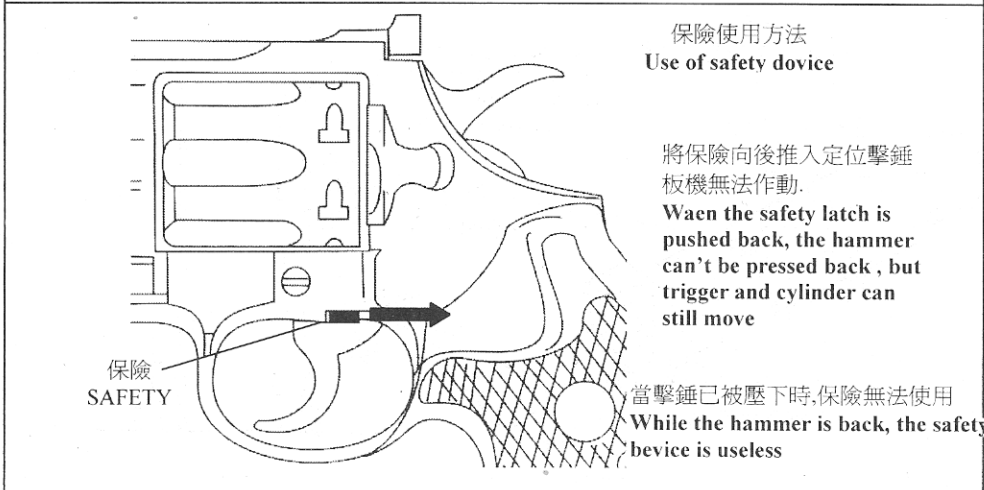
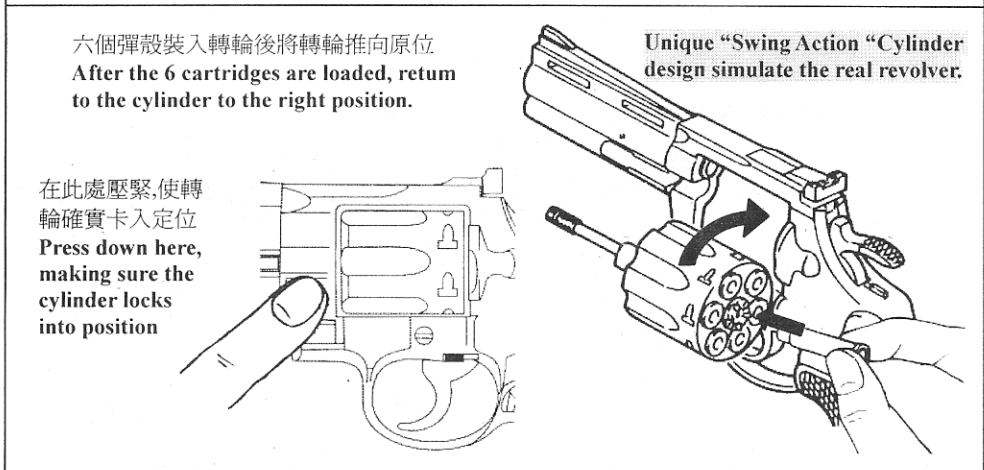
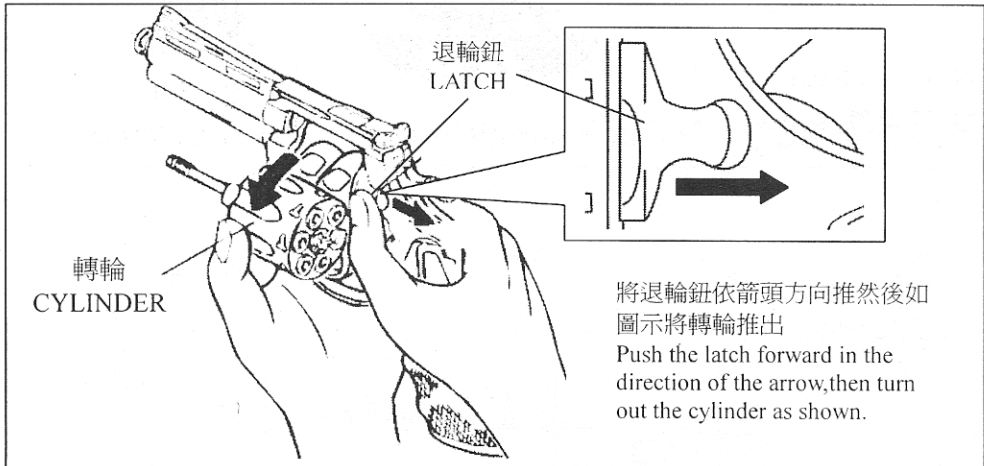
Load the bb bullet into the cartridge as shown, making sure it is put into the cartridge completely in flat

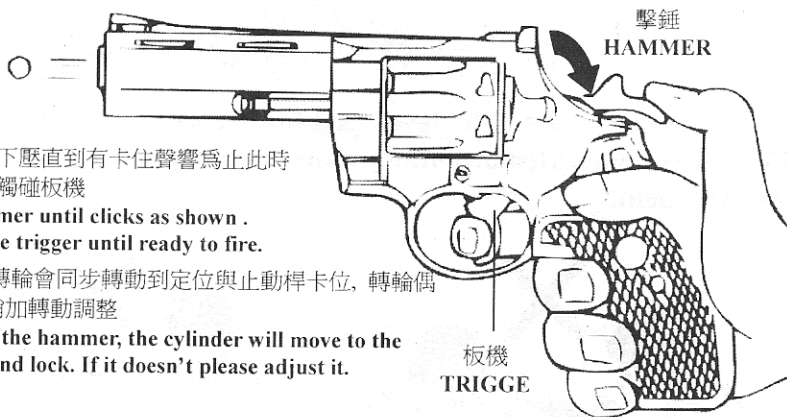


彈殼
CARTRIDGE

BB 彈
BB BULLET





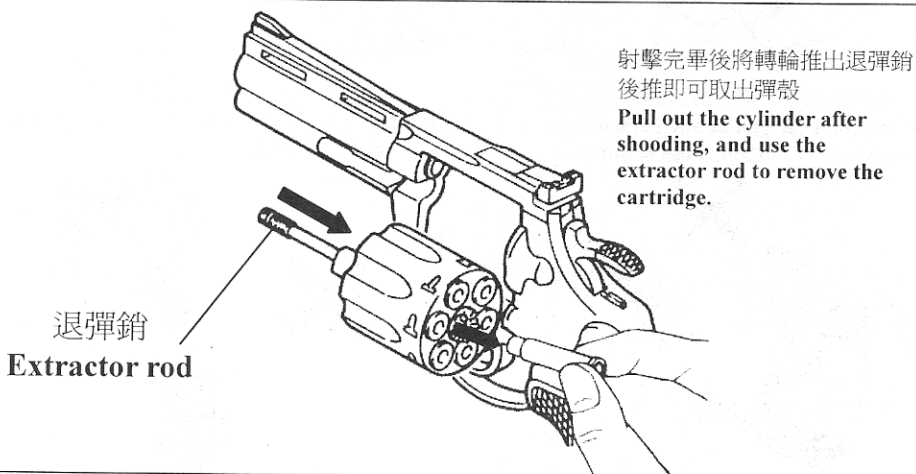


當擊錘如圖往下壓直到有卡住聲響為止此時
注意手指不要觸碰板機

**Press the hammer until clicks as shown .
Don't touch the trigger until ready to fire.**

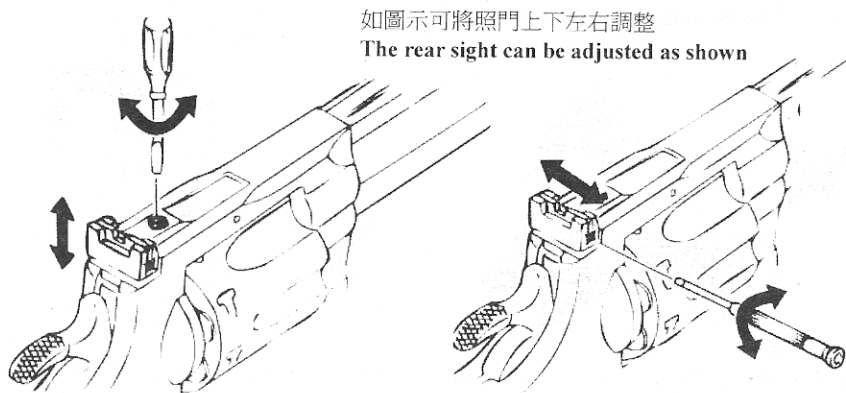
當擊錘下壓時轉輪會同步轉動到定位與止動桿卡位，轉輪偶
有定位，請稍加轉動調整

**While pressing the hammer, the cylinder will move to the
right position and lock. If it doesn't please adjust it.**



射擊完畢後將轉輪推出退彈銷
後推即可取出彈殼

**Pull out the cylinder after
shooting, and use the
extractor rod to remove the
cartridge.**



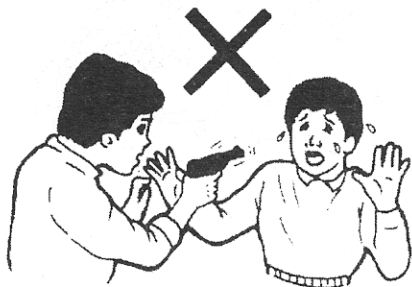
如圖示可將照門上下左右調整

The rear sight can be adjusted as shown

特別注意

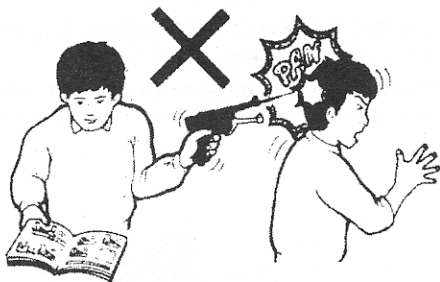
WARNING

This product is specially developed for the users more than 14 years old. Please pay extra attention to the environment surrounds the playing field.



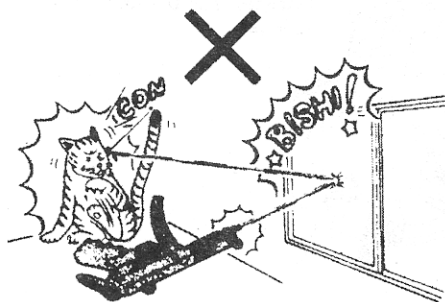
任何時候槍口都不可以對準人或動物

Do not point the gun at any person even though there is no bullet in the gun



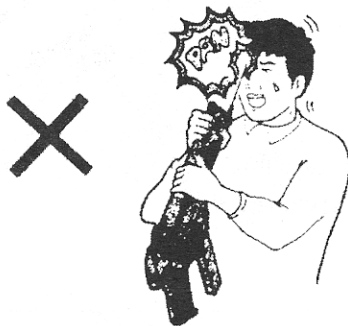
請隨時確認發射範圍內無人或動物

Be sure that there is no person or animal in your shooting path



除非使用時,否則不要裝上子彈

DO not load bullet unless you are prepared to shoot



絕對不要由槍口窺視

Do not look the muzzle.



請保管在限齡以下孩童無法取得之處

The gun should be placed at higher place and keep it from the reach of children.



除非要發射時,否則不要將手指放在扳機上

Do not pull trigger, unless you are prepared to fire.