

# AIRSOFT PISTOL

## SR HI-CAPA

### FULL METAL / DUAL POWER SYSTEM

# INSTRUCTION MANUAL



#### ▲WARNING

- ▲ When using airsoft guns, eye protection is required, (goggles or mask)
- ▲ Please keep firearms away from children
- ▲ BBs may remain in the barrel after magazine removal. To avoid injury, never look directly into the barrel and ensure the gun is always pointed in a safe direction.
- ▲ Please select a safe place to fire your airsoft gun. Always understand your state and local laws whenever using airsoft guns.
- ▲ Never place your finger on the trigger until you are ready to fire the gun. Always put the gun in safe mode when not in use. Treat every gun as if it is loaded.
- ▲ Disassembly or modification of this product may result in damage to your Airsoft gun, loss of warranty, and/or serious injury.
- ▲ Do not aim or shoot at humans, animals, buildings, or vehicles.
- ▲ Please use a firearm case or bag when transporting your airsoft gun.

**SRC** 星虹玩具有限公司  
STAR RAINBOW CO.,LTD

No.116, Ren 'ai Rd., Bali Dist., New Taipei City 24943, Taiwan (R.O.C.)  
TEL:886-2-8630-1585 FAX:886-2-8630-1508  
E-mail:sales@starrainbow.com.tw Web:www.starrainbow.com.tw

#### GAS INJECTION 裝填瓦斯



1. Turn the Magazine upside down with gas valve facing upwards. 將彈匣倒轉，灌氣嘴朝上。
2. Keep the gas cylinder inverted and vertical to the Magazine, inject gas until completely filled. 將瓦斯瓶充氣嘴對準彈匣灌氣嘴下壓直到充滿氣體。

#### INJECTION CO2 CARTRIDGE 裝填CO2氣瓶

#### ▲WARNING

CO2 cartridges may explode at temperatures above 122° F (50° C). Do not mutilate or incinerate them. Do not expose them to heat or store CO2 cartridges at temperatures above 122° F (50° C)

Item No. HT-65  
SRC 12g CO2 Cartridge



Release the puncture screw with a coin or slotted screwdriver  
使用硬幣或一字起子將彈匣氣瓶底蓋旋出。



1. LOADING CO2 CARTRIDGE 裝填CO2氣瓶
2. Lock the puncture screw 將彈匣氣瓶底蓋旋緊。

#### PARTS DESCRIPTION



#### LOADING BBS 裝填BB彈

#### ▲WARNING

Turn the safety level selector to safe mode. Keep the selector on safe mode until you are ready to shoot.



Press the Magazine catch and remove the Magazine.  
按下彈匣釋放鈕並將彈匣取出。

Load BBs into the Magazine by BB Loader  
使用填彈器將BB彈裝入彈匣。

#### HOP-UP ADJUSTMENT 彈道調整

Reduce Hop-Up  
減少Hop-up壓力

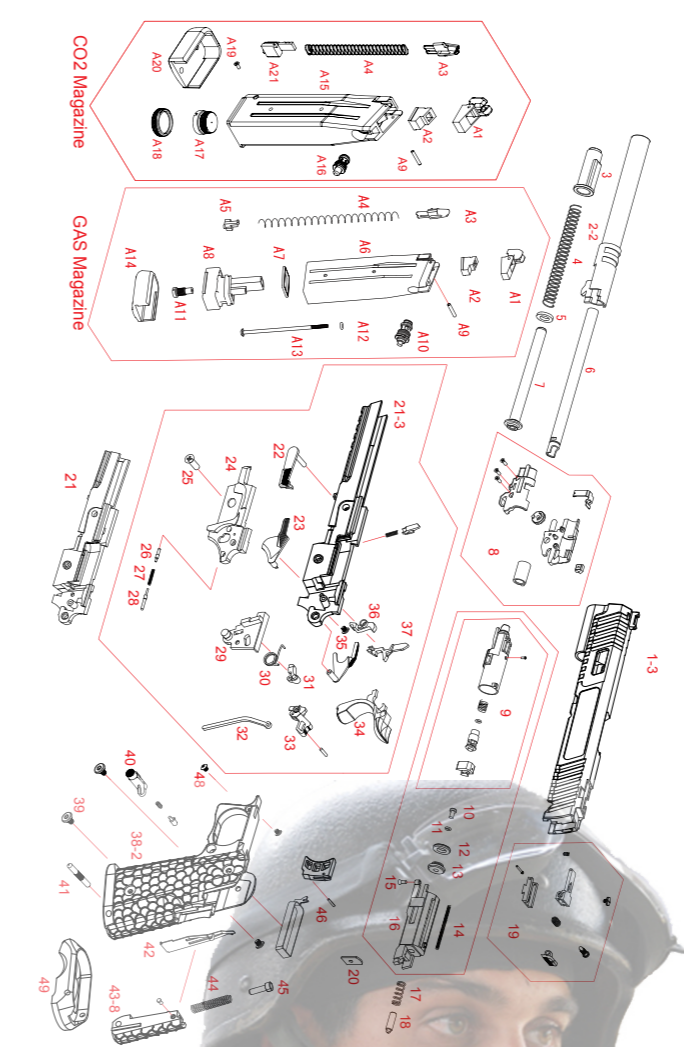
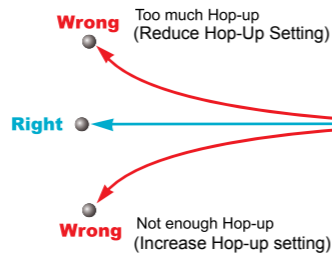


To reduce the Hop-Up setting, turn the Hop-Up dial down. 將調整輪往下撥減少下壓力。

Increase Hop-up  
增加Hop-up壓力



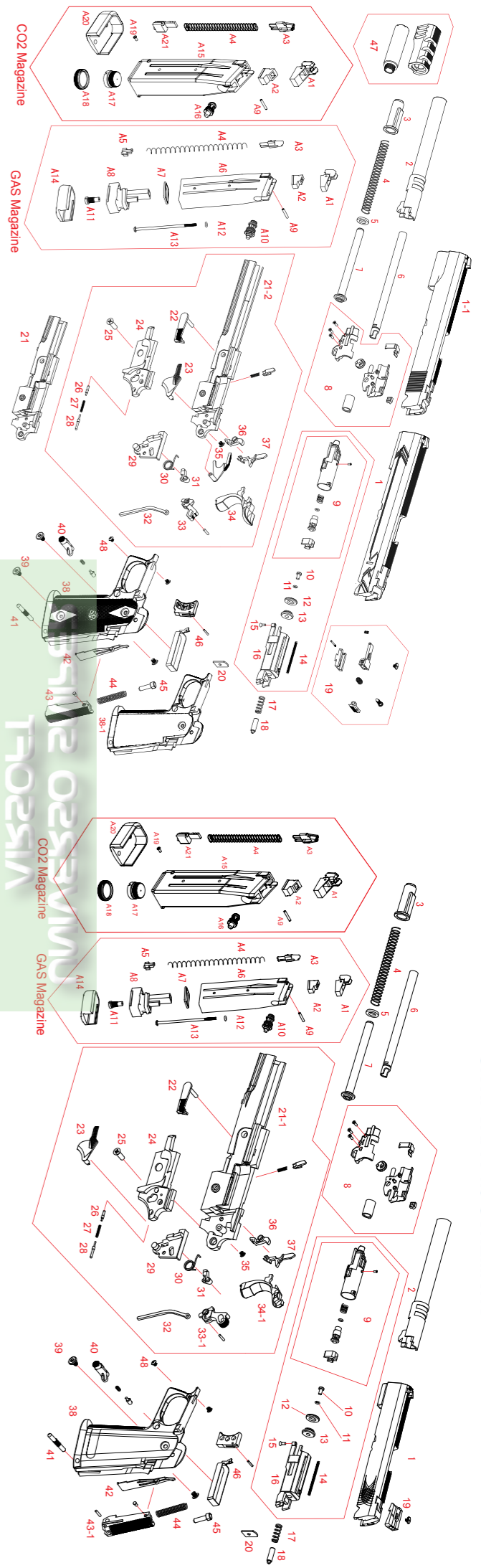
To increase the Hop-Up setting, turn the Hop-Up dial up. 將調整輪往上撥增強下壓力。



#### BABA YAGA SCHEMATIC

No	DESCRIPTION	No	DESCRIPTION	No	DESCRIPTION
1	Slide(Athletics ver.)	21-1	Lower Receiver (4.3" ver.)	43-2	Baba Yaga Main Spring Housing
1-1	Slide(5.1" ver.)	21-2	Lower Receiver (Athletics ver.)	44	Main Spring
1-2	Slide(4.3" ver.)	22	Slide Stop	45	Main Spring Screw
1-3	Baba Yaga Slide	23	Safety	46	Trigger
2	Outer Barrel(5.1" ver.)	24	Hammer base	47	Flash Hider
2-1	Outer Barrel(4.3" ver.)	25	Screw	48	Screw
2-2	Baba Yaga Outer Barrel	26	Pin	49	Magwell
3	Recoil Spring Plug	27	Spring	A1	Magazine Lip
4	Recoil Spring(5.1 Ver.)	28	Pin	A2	Air Nozzle Rubber
4-1	Recoil Spring(4.3 Ver.)	29	Hammer base cover	A3	Magazine Bar
5	Rubber Washer	30	Seal Spring	A4	Magazine Spring
6	Inner Barrel(5.1 Ver.)	31	Impact Pin	A5	Magazine Base Stopper
6-1	Inner Barrel(4.3 Ver.)	32	Hammer(4.3 Ver.)	A6	Magazine Frame
7	Recoil Spring Guide(5.1 Ver.)	33	Hammer(5.1" Ver.)	A7	O Ring
7-1	Recoil Spring Guide(4.3 Ver.)	33-1	Hammer(4.3" Ver.)	A8	Magazine Base
8	Hop-Up Chamber	34	Grip Safety(5.1" Ver.)	A9	Pin
9	Air Nozzle	34-1	Grip Safety(4.3" Ver.)	A10	Valve
10	Screw	35	Screw	A11	Gas Valve
11	O Ring	36	Shear Spring	A12	O Ring
12	Piston	37	Shear	A13	Screw
13	Piston O Ring	38	Grip/Athletics" Ver.)	A14	Magazine Bottom
14	Nozzle Spring	38-1	Grip(5.1" & 4.3" Ver.)	A15	CO2 Magazine Frame
15	Screw	38-2	Baba Yaga Grip	A16	CO2 Magazine Valve
16	Air Nozzle base	39	Screw	A17	CO2 Cartridge Slab
17	Firing pin Spring	40	Magazine Catch	A18	CO2 Cartridge Base Cover
18	Dummy Firing pin	41	Main Spring Housing(5.1 Ver.)	A19	Screw
19	Rear Sight	42	Main Spring Housing(4.3 Ver.)	A20	CO2 Magazine Bottom
20	Plate	43	Main Spring Housing(5.1" Ver.)	A21	Magazine Base Catch
21	Lower Receiver (5.1" ver.)	43-1	Main Spring Housing(4.3 Ver.)	A21	Magazine Base Catch

#### SR HI-CAPA PARTS LIST



#### SR HI-CAPA 5.1 SCHEMATIC (FIT ATHLETICS VERSION)

#### SR HI-CAPA 4.3 SCHEMATIC