



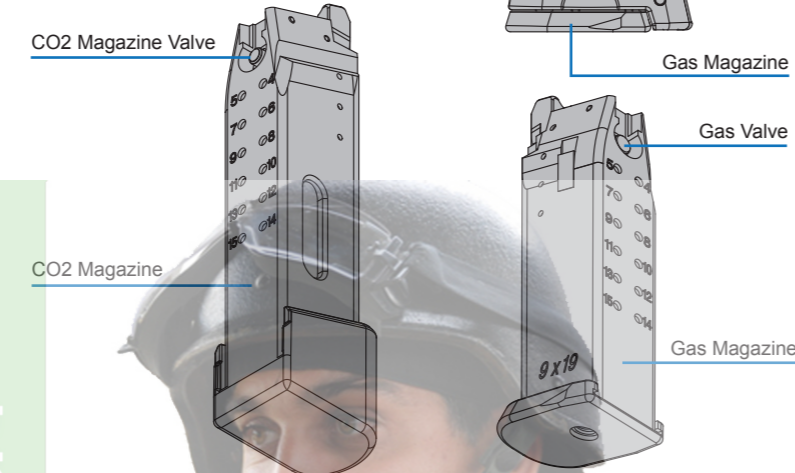
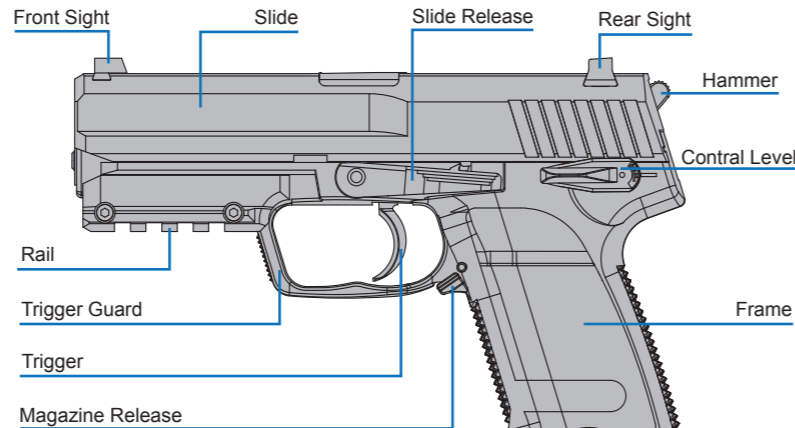
SRSP USER GUIDE

DUAL POWER BLOW BACK PISTOL FULL METAL SLIDE

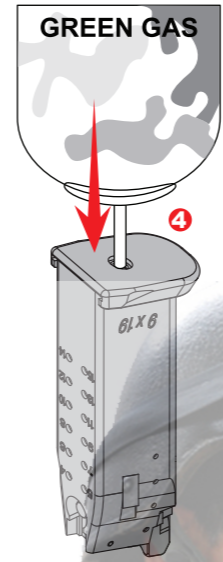
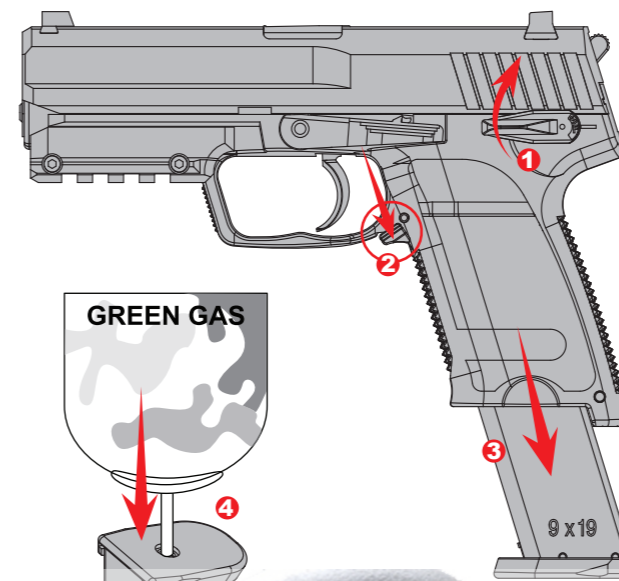


WARNING

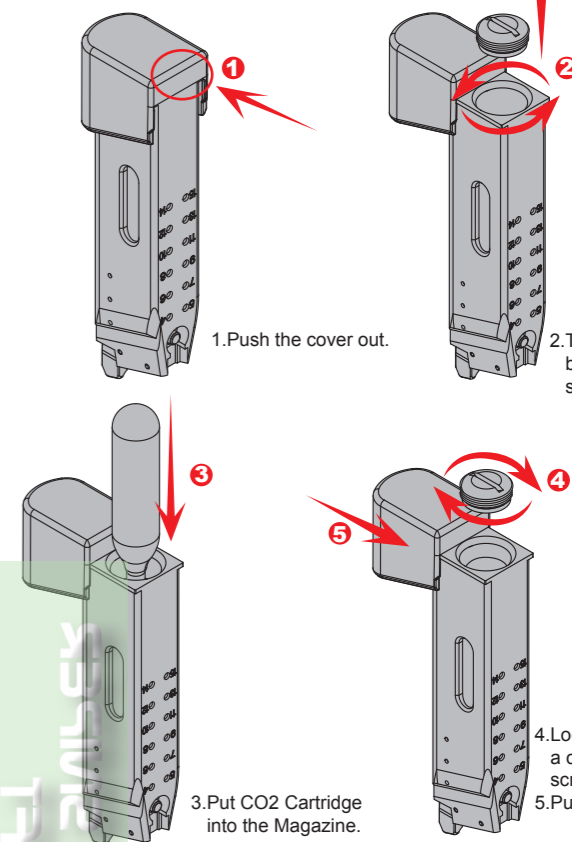
- ▲ When using airsoft guns eye protection is required. (goggles or mask)
- ▲ Never place your finger on the trigger until you are ready to fire the gun. Always put the gun in safe mode when not in use. Tread every gun as if it is loaded.
- ▲ Please keep away from children.
- ▲ BBs may remain in the barrel after magazine removal. To avoid injury, never look directly into the barrel and ensure the gun is always pointed in safe direction.
- ▲ Disassembly or modification of this product may result in damage to your Airsoft gun, loss of warranty, and/or serious injury.
- ▲ Please select a safe place to fire your airsoft gun. Always know your state and local laws concerning airsoft gun use.
- ▲ Do not aim or shoot at humans, animals, buildings, or vehicles.
- ▲ Please use a firearm case or bag when transporting your airsoft gun.



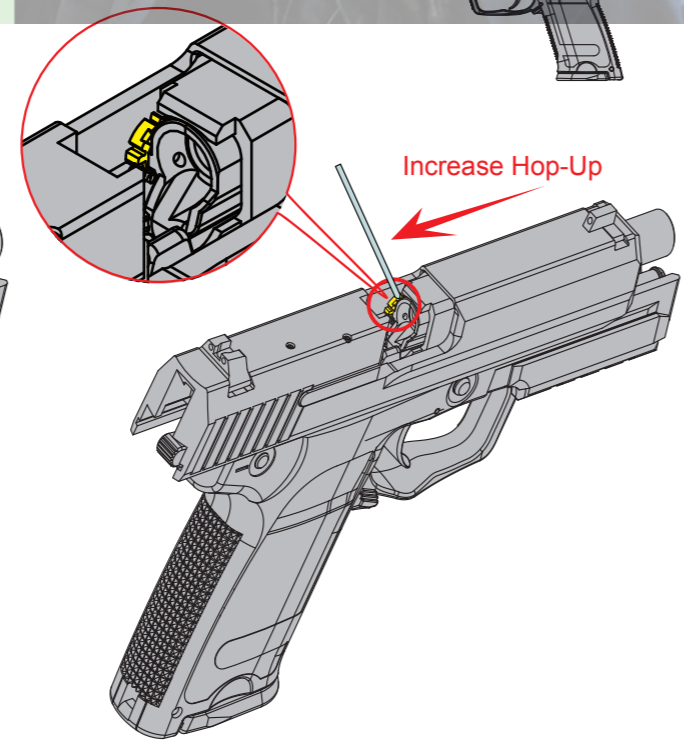
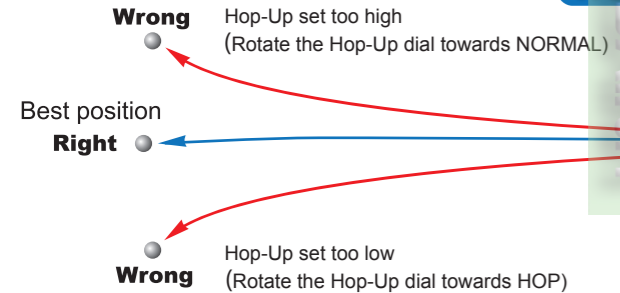
GAS INJECTION



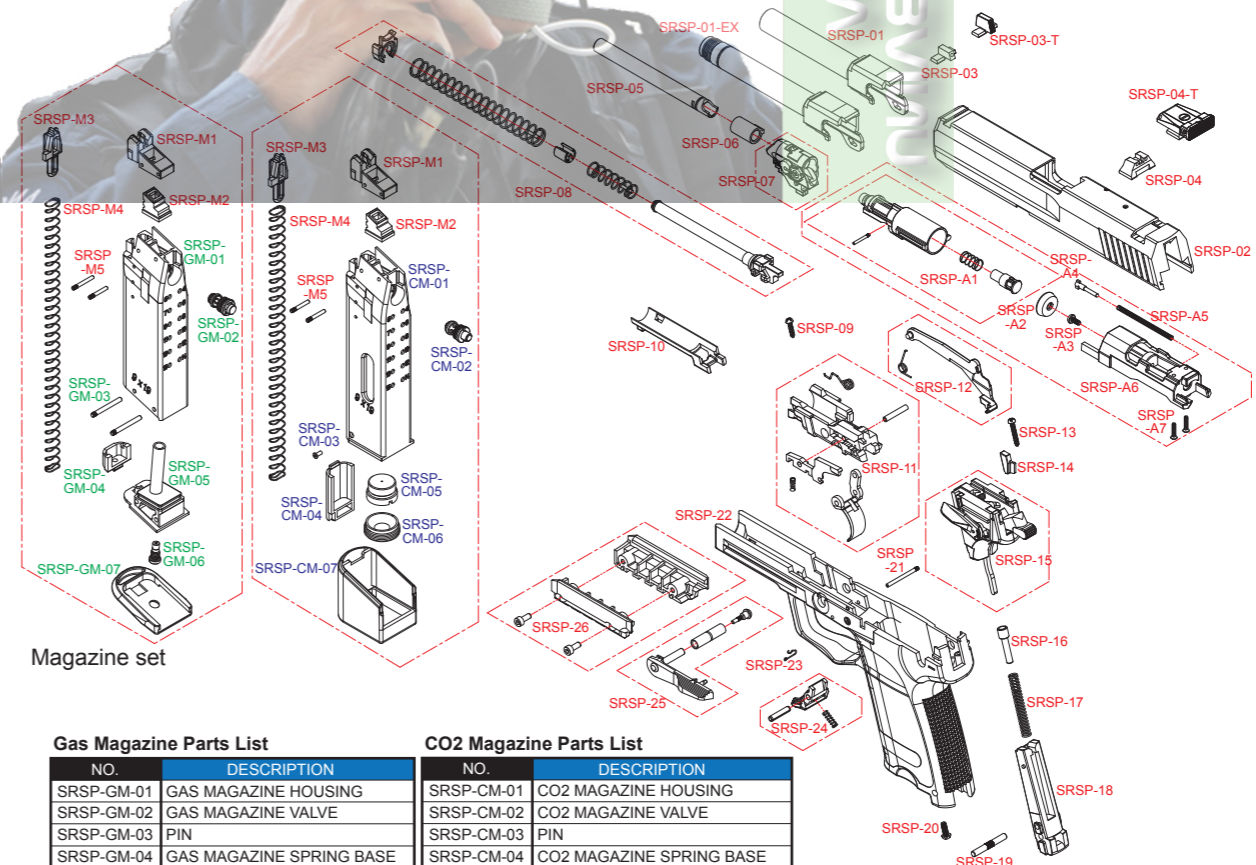
INSTALL CO2 CARTRIDGE



HOP-UP ADJUSTMENT



SSP SCHEMATIC (DUAL POWER SYSTEM)



Magazine set

NO.	DESCRIPTION
SRSP-GM-01	GAS MAGAZINE HOUSING
SRSP-GM-02	GAS MAGAZINE VALVE
SRSP-GM-03	PIN
SRSP-GM-04	GAS MAGAZINE SPRING BASE
SRSP-GM-05	GAS MAGAZINE BASE
SRSP-GM-06	GAS VALVE
SRSP-GM-07	GAS MAGAZINE BOTTOM PLATE

CO2 Magazine Parts List

NO.	DESCRIPTION
SRSP-CM-01	CO2 MAGAZINE HOUSING
SRSP-CM-02	CO2 MAGAZINE VALVE
SRSP-CM-03	PIN
SRSP-CM-04	CO2 MAGAZINE SPRING BASE
SRSP-CM-05	CO2 PUNCTURE
SRSP-CM-06	CO2 PUNCTURE COVER
SRSP-CM-07	CO2 MAGAZINE BOTTOM COVER

Parts List

NO.	DESCRIPTION
SRSP-01	BARREL
SRSP-01-EX	EXTENDED BARREL
SRSP-02	SLIDE
SRSP-03	FRONT SIGHT
SRSP-03-T	FRONT SIGHT(TAC)
SRSP-04	REAR SIGHT
SRSP-04-T	REAR SIGHT(TAC)
SRSP-05	INNER BARREL
SRSP-06	HOP UP BUCKING
SRSP-07	HOP UP BASE
SRSP-08	RECOIL SPRING ASSEMBLY
SRSP-09	SCREW
SRSP-10	PLATE
SRSP-11	TRIGGER ASSEMBLY
SRSP-12	TRIGGER LEVER
SRSP-13	SCREW
SRSP-14	LOCKING UNIT
SRSP-15	HAMMER / SAFTY ASSEMBLY
SRSP-16	HAMMER SPRING GUIDE
SRSP-17	HAMMER SPRING
SRSP-18	HAMMER SPRING SLEEVE
SRSP-19	PIN
SRSP-20	SCREW
SRSP-21	PIN
SRSP-22	FRAME
SRSP-23	SPRING
SRSP-24	MAGAZINE CATCH
SRSP-25	SLIDE RELEASE
SRSP-26	RAIL ASSEMBLY
SRSP-A1	AIR NOZZLE
SRSP-A2	PISTON RING
SRSP-A3	SCREW
SRSP-A4	SPRING GUIDE
SRSP-A5	SPRING
SRSP-A6	AIR NOZZLE BASE
SRSP-A7	SCREW
SRSP-M1	MAGAZINE LIP
SRSP-M2	AIR NOZZLE RUBBER
SRSP-M3	MAGAZINE BAR
SRSP-M4	SPRING
SRSP-M5	PIN

