

You Tube

Broadcast Yourself™

SRC AIRSOFT TV



Find us on:
facebook.

SRC AIRSOFT



SRC 星虹玩具有限公司
STAR RAINBOW CO.,LTD

Address : No.36, Alley. 82, Ln. 422, Minzu Rd., Luzhou Dist., New Taipei City 247,
Taiwan (R.O.C.)

TEL:886-2-82853848
FAX:886-2-28484622
E-mail:src@starrainbow.com.tw
Web:www.starrainbow.com.tw



SRC
AIRSOFT & ACCESSORIES

Dealer



www.starrainbow.com.tw

6MM AIRSOFT PISTOL

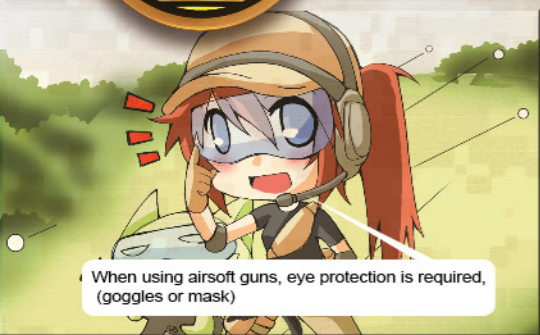
SR HI-CAPA
FULL METAL GAS BLOW BACK

INSTRUCTION MANUAL



SR HI-CAPA

6MM AIRSOFT PISTOL
FULL METAL GAS BLOW BACK



When using airsoft guns, eye protection is required, (goggles or mask)



Please keep firearms away from children



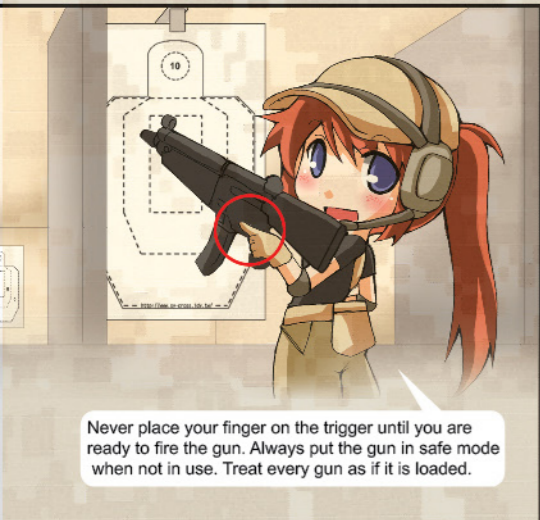
!?
Please select a safe place to fire your airsoft gun. Always understand your state and local laws whenever using airsoft guns.



BBs may remain in the barrel after magazine removal. To avoid injury, never look directly into the barrel and ensure the gun is always pointed in a safe direction.



Do not aim or shoot at humans, animals, buildings, or vehicles.



Never place your finger on the trigger until you are ready to fire the gun. Always put the gun in safe mode when not in use. Treat every gun as if it is loaded.



Disassembly or modification of this product may result in damage to your Airsoft gun, loss of warranty, and/or serious injury.



Please use a firearm case or bag when transporting your airsoft gun.

SR HI-CAPA SERIES MODELS



5.1 Version
GB-0741



5.1 Silver
GB-0742



5.1 Dual Tone
GB-0743



ATHLETICS
5.1 Version
GB-0745



ATHLETICS
5.1 Silver
GB-0746



ATHLETICS
5.1 Dual Tone
GB-0747



4.3 Desert
GB-0750



5.1 Special Edition Version
GB-0744



4.3 Version
GB-0748



4.3 Dual Tone
GB-0749



6MM AIRSOFT PISTOL
SR HI-CAPA
 FULL METAL GAS BLOW BACK

SR HI-CAPA

PARTS DESCRIPTION



WARNING

TURN THE SAFETY LEVEL SELECTOR TO SAFE MODE . KEEP THE SELECTOR ON SAFE MODE UNTIL YOU ARE READY TO SHOOT.

1. LOADING BBS



Press the Magazine catch and remove the Magazine by pulling it downward.



P-24-T
 BB Loader
 (Transparent)



Load BBs into the Magazine by using BB Loader



6MM AIRSOFT PISTOL
SR HI-CAPA
FULL METAL GAS BLOW BACK

2.GAS INJECTION



1. Turn the Magazine upside down with gas refill facing upwards.
2. Keeping the gas cylinder inverted and vertical to the Magazine, inject gas until completely filled.



Insert the Magazine until you hear it click into place, The gun is ready to fire.

3.SHOOTING

⚠WARNING

ALWAYS KEEP YOUR FINGER OFF THE TRIGGER UNTIL YOU ARE READY TO FIRE THE GUN. MAKE SURE THE MUZZLE IS ALWAYS POINTED IN A SAFE DIRECTION.



Pull the Slide backwards and release.



6MM AIRSOFT PISTOL
SR HI-CAPA
FULL METAL GAS BLOW BACK

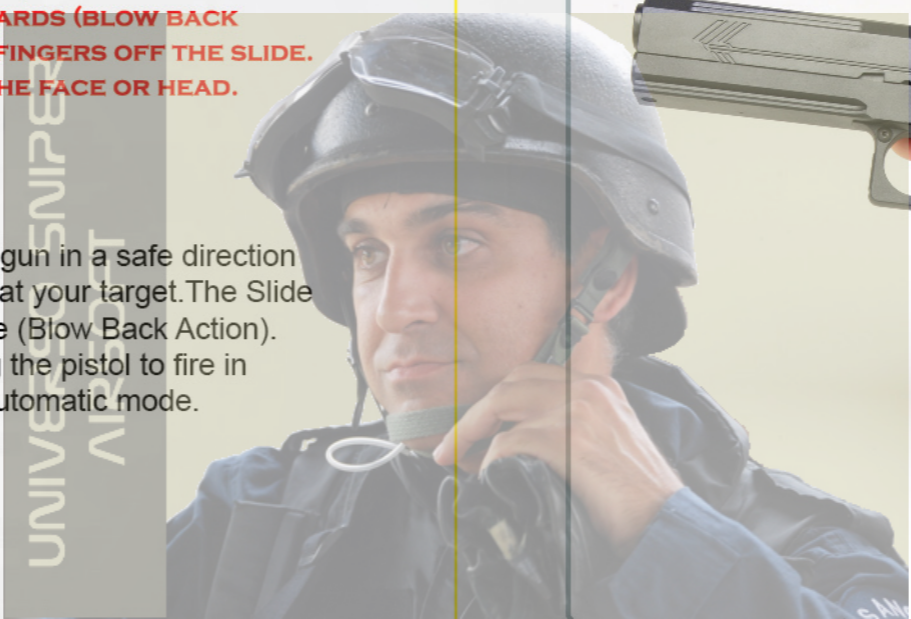
⚠ WARNING

WARNING - WHEN FIRING THIS GUN, THE SLIDE MOVES RAPIDLY BACKWARDS AND FORWARDS (BLOW BACK ACTION). TO AVOID INJURY, KEEP FINGERS OFF THE SLIDE. DO NOT HOLD PISTOL CLOSE TO THE FACE OR HEAD.



BLOW BACK ACTION

Aim the gun in a safe direction and fire at your target. The Slide will cycle (Blow Back Action). Allowing the pistol to fire in SEMI-Automatic mode.



HOP-UP ADJUSTMENT



Remove the Magazine and set the selector switch to fire mode.



Pull back on the Slide and hold like shown above.



6MM AIRSOFT PISTOL
SR HI-CAPA
 FULL METAL GAS BLOW BACK

HOP-UP ADJUSTMENT DISASSEMBLY SILDE



Push the Slide Release Button.



Remove the Slide Stop



Remove the Slide



Too much Hop-up
 To reduce the Hop-UP setting , rotate the Hop-Up dial towards Normal.



No Enough Hop-up
 To increase the Hop-UP setting , rotate the Hop-Up dial towards Hop.

Wrong Too much Hop-up
 (Reduce Hop-Up Setting)

Right

Wrong Not enough Hop-up
 (Increase Hop-up setting)





6MM AIRSOFT PISTOL
SR HI-CAPA
 FULL METAL GAS BLOW BACK

⚠ WARNING

ALWAYS KEEP YOUR FINGER OFF THE TRIGGER UNTIL YOU ARE READY TO FIRE THE GUN. MAKE SURE THE MUZZLE IS ALWAYS POINTED IN A SAFE DIRECTION.

HOP-UP ADJUSTMENT



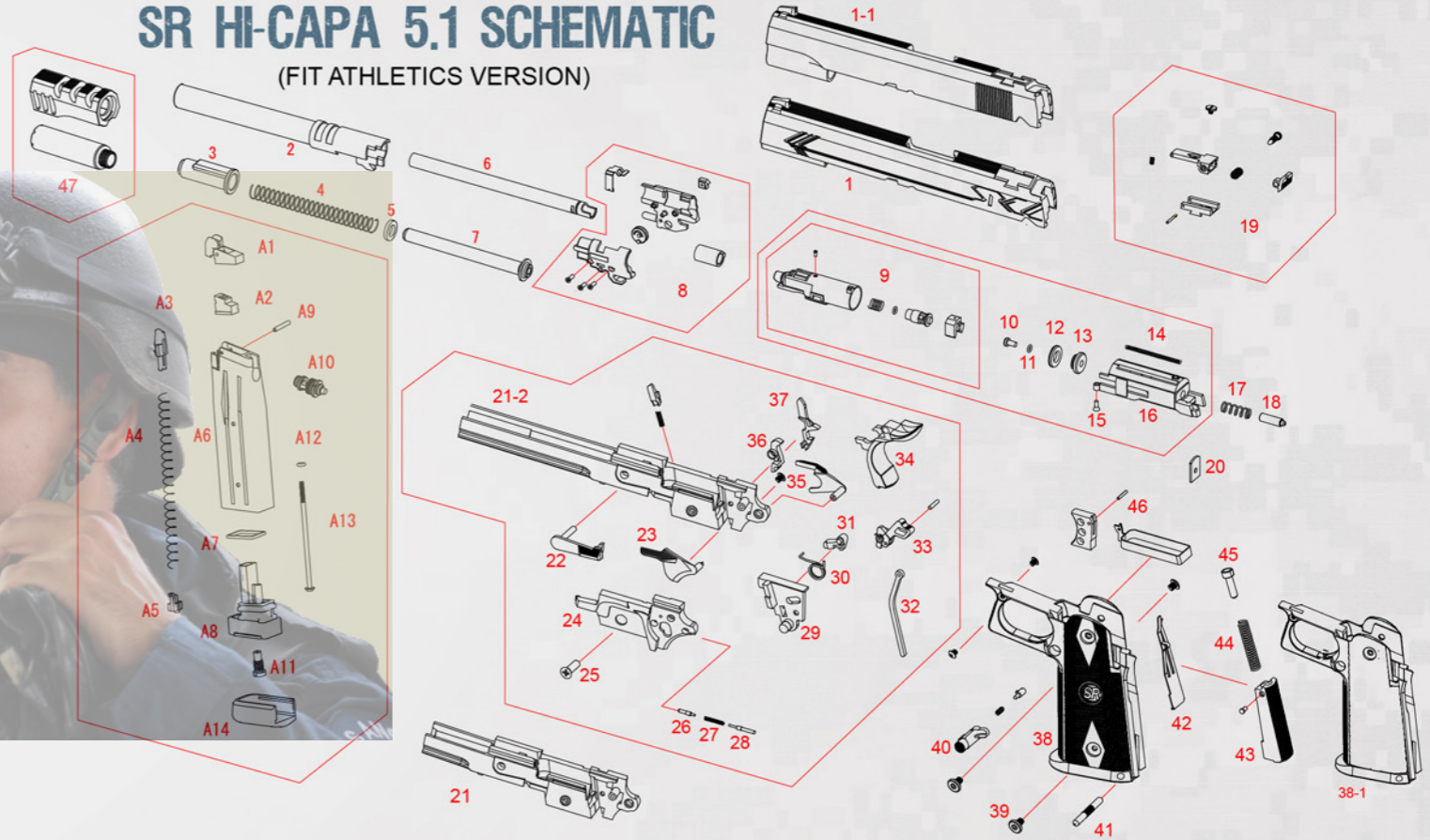
1. Install the Slide
2. Pull back on the Upper slide and hold it in place as shown above

REASSEMBLY SLIDE



Install the Slide stop

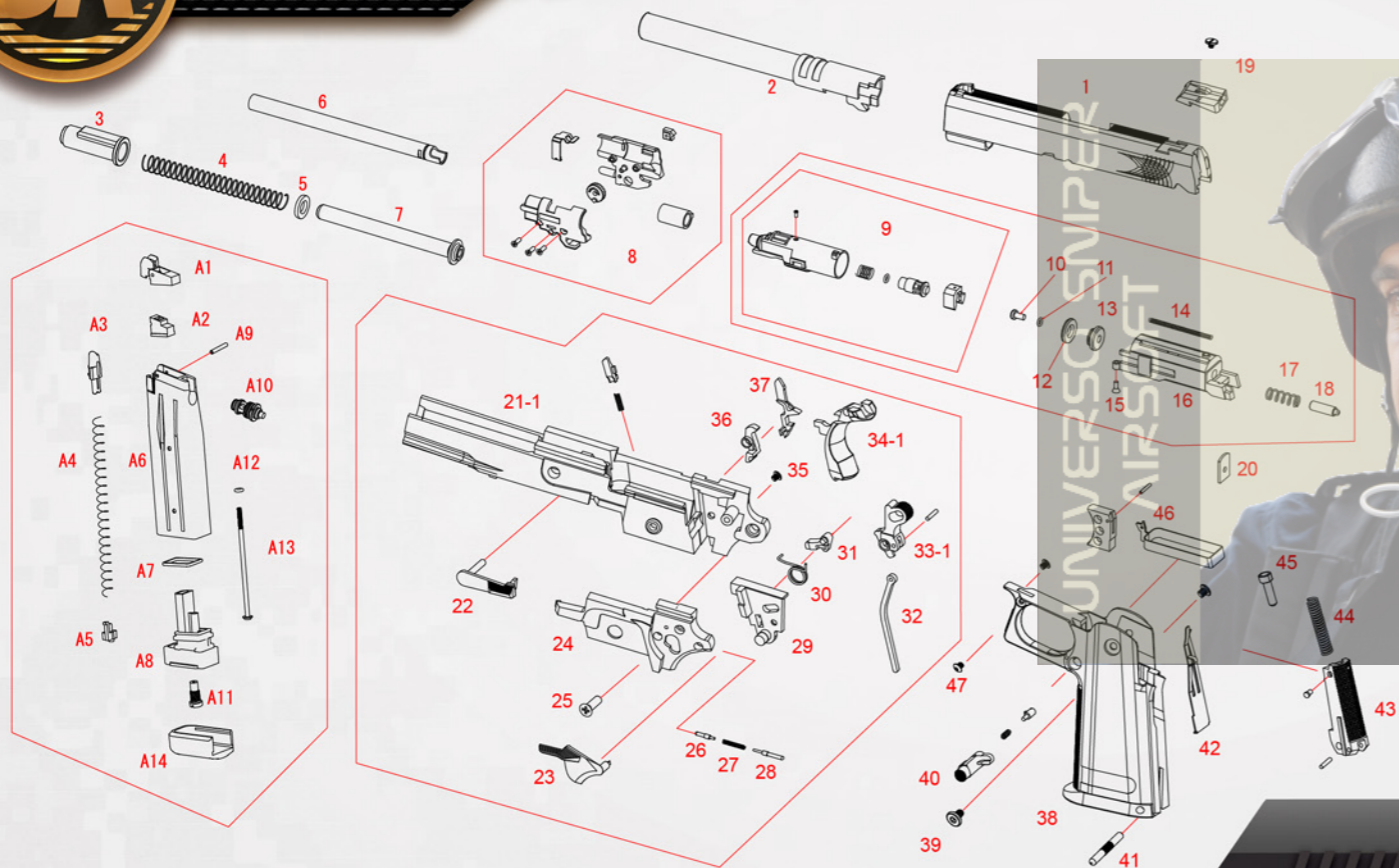
SR HI-CAPA 5.1 SCHEMATIC
 (FIT ATHLETICS VERSION)





6MM AIRSOFT PISTOL
SR HI-CAPA
 FULL METAL GAS BLOW BACK

SR HI-CAPA 4.3 SCHEMATIC



SR HI-CAPA PARTS LIST

NO	DESCRIPTION	NO	DESCRIPTION	NO	DESCRIPTION
1	Slide(Athletics ver.)	21	Lower Receiver (5.1" ver.)	42	Sear Spring
1-1	Slide(5.1" ver.)	21-1	Lower Receiver (4.3" ver.)	43	Main Spring Housing
1-2	Slide(4.3" ver.)	21-2	Lower Receiver (Athletics ver.)	44	Main Spring
2	Outer Barrel(5.1" ver.)	22	Slide Stop	45	Main Spring Screw
2-1	Outer Barrel(3.4" ver.)	23	Safety	46	Trigger
3	Recoil Spring Plug	24	Hammer base	47	Screw
4	Recoil Spring(5.1 Ver.)	25	Screw		
4-1	Recoil Spring(4.3 Ver.)	26	Pin	Magazine set	
5	Rubber Washer	27	Spring	A1	Magazine Lip
6	Inner Barrel(5.1 Ver.)	28	Pin	A2	Air Nozzle Rubber
6-1	Inner Barrel(4.3 Ver.)	29	Hammer base cover	A3	Magazine Bar
7	Recoil Spring Guide(5.1 Ver.)	30	Sear Spring	A4	Magazine Spring
7-1	Recoil Spring Guide(4.3 Ver.)	31	Impact Pin	A5	Magazine Base Stopper
8	Hop-Up Chamber	32	Hammer Guide	A6	Magazine Frame
9	Air Nozzle	33	Hammer(5.1" Ver.)	A7	O Ring
10	Screw	33-1	Hammer(4.3" Ver.)	A8	Magazine Base
11	O Ring	34	Grip Safety(5.1" Ver.)	A9	Pin
12	Piston	34-1	Grip Safety(4.3" Ver.)	A10	Valve
13	Piston O Ring	35	Screw	A11	Gas Valve
14	Nozzle Spring	36	Shear Spring	A12	O Ring
15	Screw	37	Shear	A13	Screw
16	Air Nozzle base	38	Grip(Athletics" Ver.)	A14	Magazine Bottom
17	Firing pin Spring	38-1	Grip(5.1" & 4.3" Ver.)		
18	Dummy Firing pin	39	Screw		
19	Raer Sight	40	Magazine Catch		
20	Plate	41	Main Spring Housing Pin		