




Special thanks

KSK(Kommando Spezialkräfte) Prague , Czech Republic

S.M.O.G. Baden (Germany)

 星虹玩具有限公司
STAR RAINBOW CO., LTD

Address : Room D2, No. 36, Alley 82, Lane 422, Minzu Rd., Lujhou City,
Taipei County 247 ,Taiwan (R.O.C.)

TEL: 886-2-82853848

FAX: 886-2-28484622

E-mail: src@starrainbow.com.tw

Web: www.starrainbow.com.tw

Dealer



SR36 GBB SERIES

6MM CAL. AIRSOFT RIFLE

MADE IN TAIWAN

INSTRUCTION MANUAL

SR36 GBB SERIES

GIUCCI CAL. AIRSOFT RIFLE

SAFETY INFORMATION



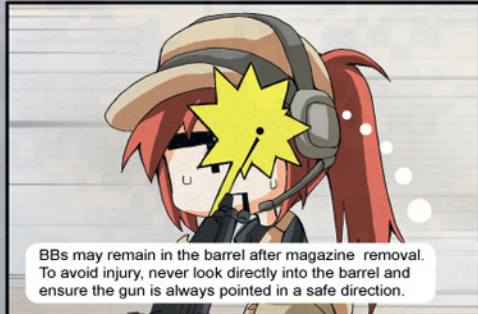
When using airsoft guns eye protection is required (goggles or mask)



Please keep away from children



Please select a safe place to fire your airsoft gun. Always know your state and local laws concerning airsoft gun use.



BBs may remain in the barrel after magazine removal. To avoid injury, never look directly into the barrel and ensure the gun is always pointed in a safe direction.



Do not aim or shoot at humans, animals, buildings, or vehicles.



Disassembly or modification of this product may result in damage to your Airsoft gun, loss of warranty, and/or serious injury.



Please use a firearm case or bag when transporting your airsoft gun.

SR36 GBB SERIES MODELS



SR-36E
GB-301TM



SR-36K
GB-304TM



SR-36E2
GB-302TM



SR-36C
GB-306TM



SR-36KSK
GB-303TM



SR-36KV
GB-307TM



SR36 GBB SERIES

MINI CAL. AIRSOFT RIFLE



1 GAS INJECTION & LOADING BB PELLETS

STEP 1



Please use SRC Green Gas (Optional)



STEP 2

1. Turn the Magazine upside down with gas refill inlet facing upwards.
2. Keeping the gas cylinder inverted and vertical to the Magazine, inject gas until completely filled.

STEP 3



Load BBs into the BB loader

NOTICE

The rifle can not be operated without BB pellet inside the Magazine.

STEP 4



Push loading rod to fill 30R BBs into the Magazine.



STEP 5

Insert the Magazine until you heard the click . The gun is now ready to fire.

2 SHOOTING MODES

WARNING ! Make sure the muzzle is always pointed in a safe direction.



Safe Mode



Semi Mode



Full Auto Mode

WARNING

Always keep your finger off the trigger until you ready to fire the gun.

WARNING

Green Gas is flammable. Keep away from open flame when loading and during use.

3 HOP-UP ADJUSTMENT

WARNING

- Always keep finger off the trigger until you are ready to fire. Make sure the muzzle is pointed in a safe direction.
- Keep the selector on safe mode until you are ready to shoot.

Wrong Hop-Up set to high (slide the Hop-Up lever towards NORMAL)

Best position **Right**

Wrong Hop-Up set to low (slide the Hop-Up lever towards HOP)



Pull the Cocking lever to rear and release, then will ready to fire.



Pull the Cocking lever to the rear, exposing the Hop-Up lever.

To reduce the Hop-Up setting slide the Hop-Up lever towards the NORMAL setting.



To increase the Hop-Up setting slide the Hop-Up lever towards the HOP setting.

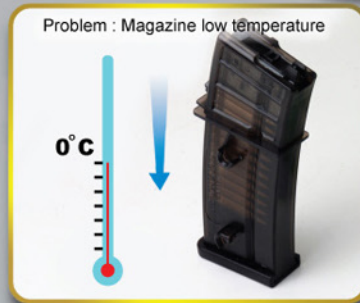
4 TROUBLESHOOTING Problem : GBB does not function



Turn the Selector Lever to Auto or semi mode.

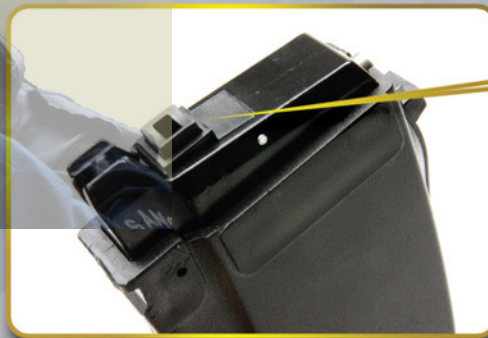


Pull the Charging Handle to rear and release it.

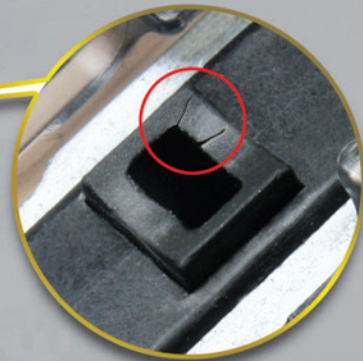


Problem : Magazine low temperature
Stop shooting. Let the Magazine temperature rise

Problem : Magazine leak



Problem : Nozzle rubber aged or broken.



Replacement the Nozzle rubber. Please contact your local dealer or reseller.

WARNING

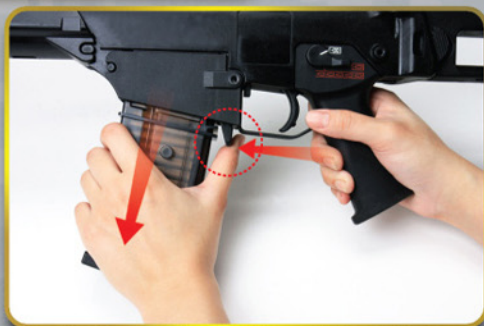
Green gas is flammable. Keep away from open flame when loading and during use.

TROUBLESHOOTING

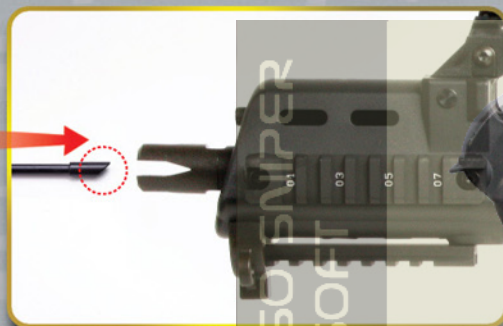
Problem : **Clearing jammed BBs**

WARNING

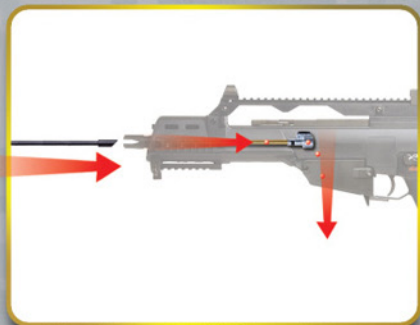
Use SRC Precision BBs only. The use of low-quality BBs may cause damage to your airsoft gun.



Push the Magazine release button than remove the magazine



Turn off the Hop-Up by slide the hop-up lever all the way towards NORMAL Use the correct end of the cleaning rod .



Insert the Cleaning rod into the Barrel to remove the jammed BBs..



Use Airsoft Safe Silicon to lubricate the hop up chamber and Magazine lip. Use silicon lubricant sparingly..



Problem : **Decrease progressive in blow back action**



WARNING

Always keep finger off the trigger until you are ready to fire. Make sure the muzzle is pointed in a safe direction. Keep the selector on safe mode until you are ready to shoot.

Cause : Magazine low temperature

Solution : Stop Shooting let the Magazine temperature rise.

Cause : The gas of magazine exhausted .

Solution : Refill the gas.

Cause : Magazine leak (Nozzle rubber aged or broken)

Solution : Replace the Nozzle rubber.



5 BASIC MAINTENANCE

WARNING

Use SRC Precision BBs only. The use of low-quality BBs may cause damage to your airsoft gun.



Push the Locking pin



Push the Locking pin then turn to the other side.



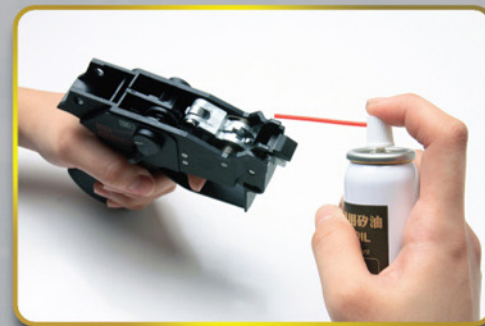
Remove the locking pin.



Remove the locking pin.



Disassemble the lower receiver.



Use SRC Airsoft Safe Silicon to lubricate the hammer set.

WARNING

Always keep finger off the trigger until you are ready to fire. Make sure the muzzle is pointing in a safe direction. Keep the selector on safe mode until you are ready to shoot.



Use SRC Airsoft Safe Silicon to lubricate the movable parts.



Please use SRC High Quality Silicon oil

Model No:G-01
90g Silicon oil

WARNING

Do not use "WD40", because "WD40" will erode the plastic material and will make the loss of your product warranty !

BASIC MAINTENANCE

WARNING

Use SRC Precision BBs only. The use of low-quality BBs may cause damage to your airsoft gun.



First, locking the front of lower receiver.



Locking the rear of lower receiver.



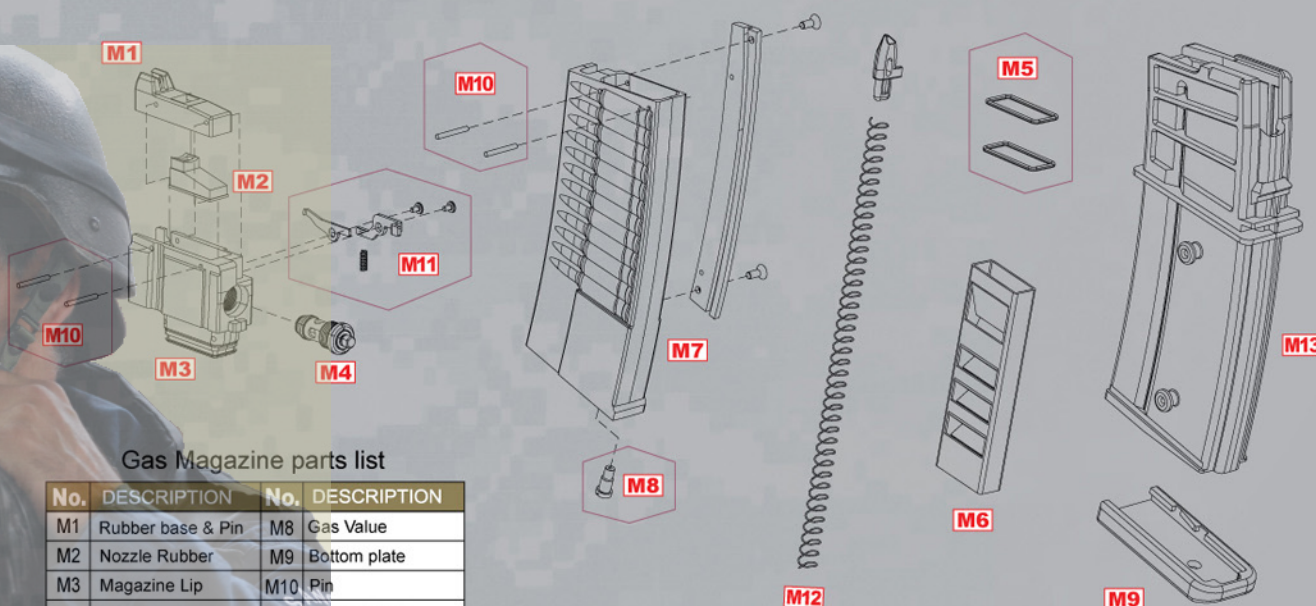
Insert the locking pin in front of lower receiver.



Insert the locking pin of rear.

6 SR36 GBB SERIES SCHEMATIC

SR36 GBB GAS MAGAZINE SCHEMATIC

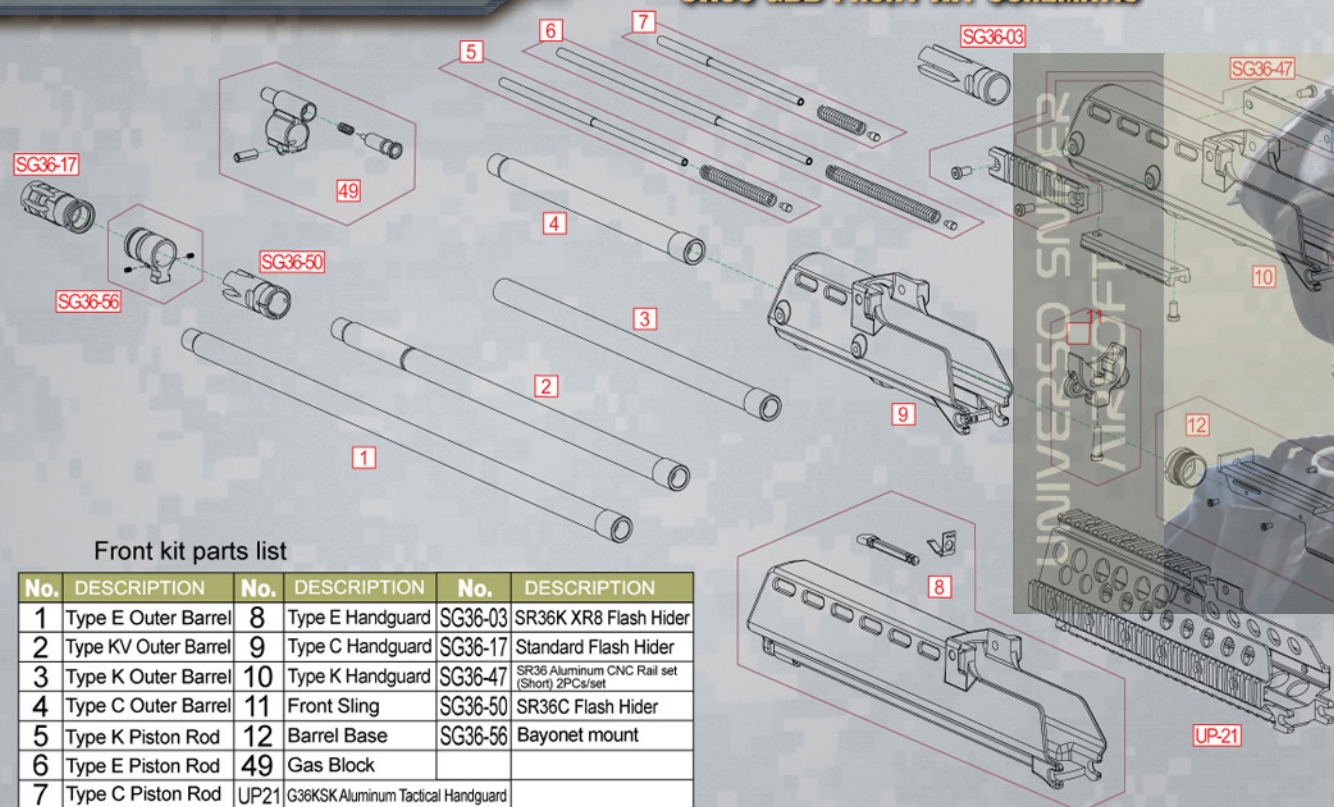


Gas Magazine parts list

No.	DESCRIPTION	No.	DESCRIPTION
M1	Rubber base & Pin	M8	Gas Valve
M2	Nozzle Rubber	M9	Bottom plate
M3	Magazine Lip	M10	Pin
M4	Valve	M11	Bolt stop set
M5	Packing	M12	Spring set
M6	Nebulization tube	M13	Magazine base
M7	Magazine frame		

SR36 GBB SERIES SCHEMATIC

SR36 GBB FRONT KIT SCHEMATIC

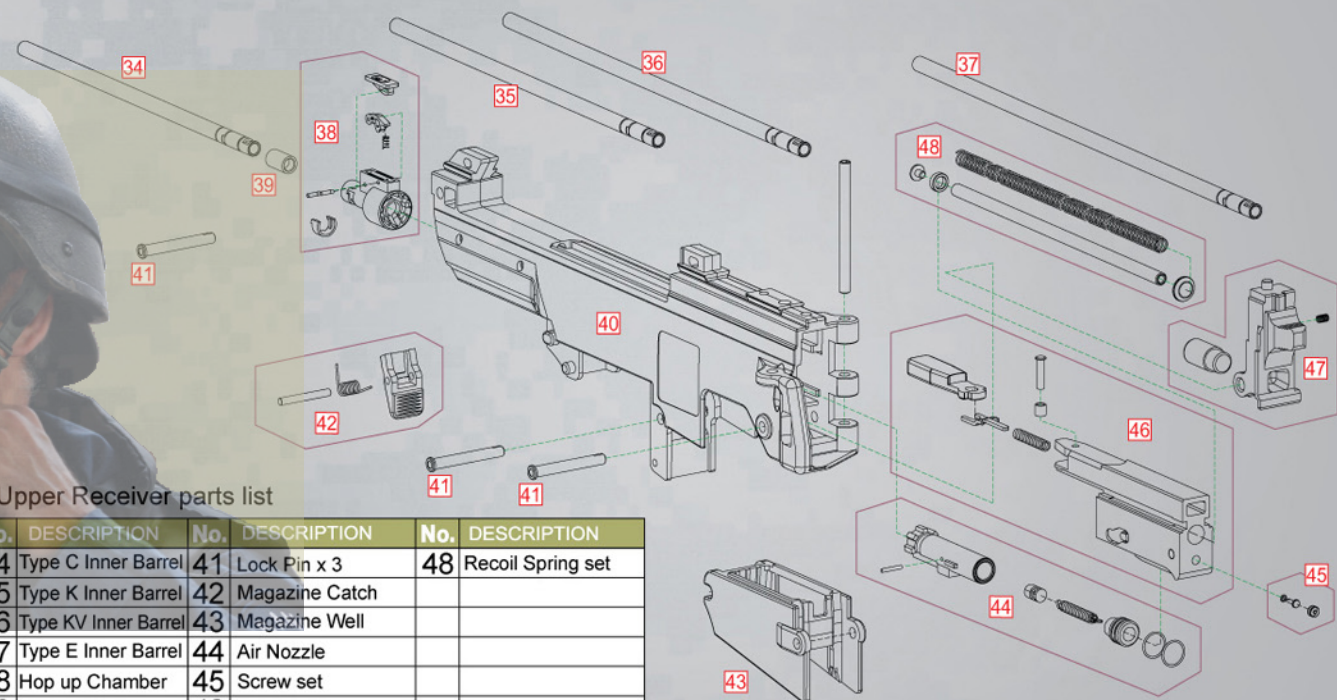


Front kit parts list

No.	DESCRIPTION	No.	DESCRIPTION	No.	DESCRIPTION
1	Type E Outer Barrel	8	Type E Handguard	SG36-03	SR36K XR8 Flash Hider
2	Type KV Outer Barrel	9	Type C Handguard	SG36-17	Standard Flash Hider
3	Type K Outer Barrel	10	Type K Handguard	SG36-47	SR36 Aluminum CNC Rail set (Short) 2PCs/set
4	Type C Outer Barrel	11	Front Sling	SG36-50	SR36C Flash Hider
5	Type K Piston Rod	12	Barrel Base	SG36-56	Bayonet mount
6	Type E Piston Rod	49	Gas Block		
7	Type C Piston Rod	UP21	G36KSKA Aluminum Tactical Handguard		

SR36 GBB SERIES SCHEMATIC

6MM CAL. AIRSOFT RIFLE **SR36 GBB UPPER RECEIVER SCHEMATIC**



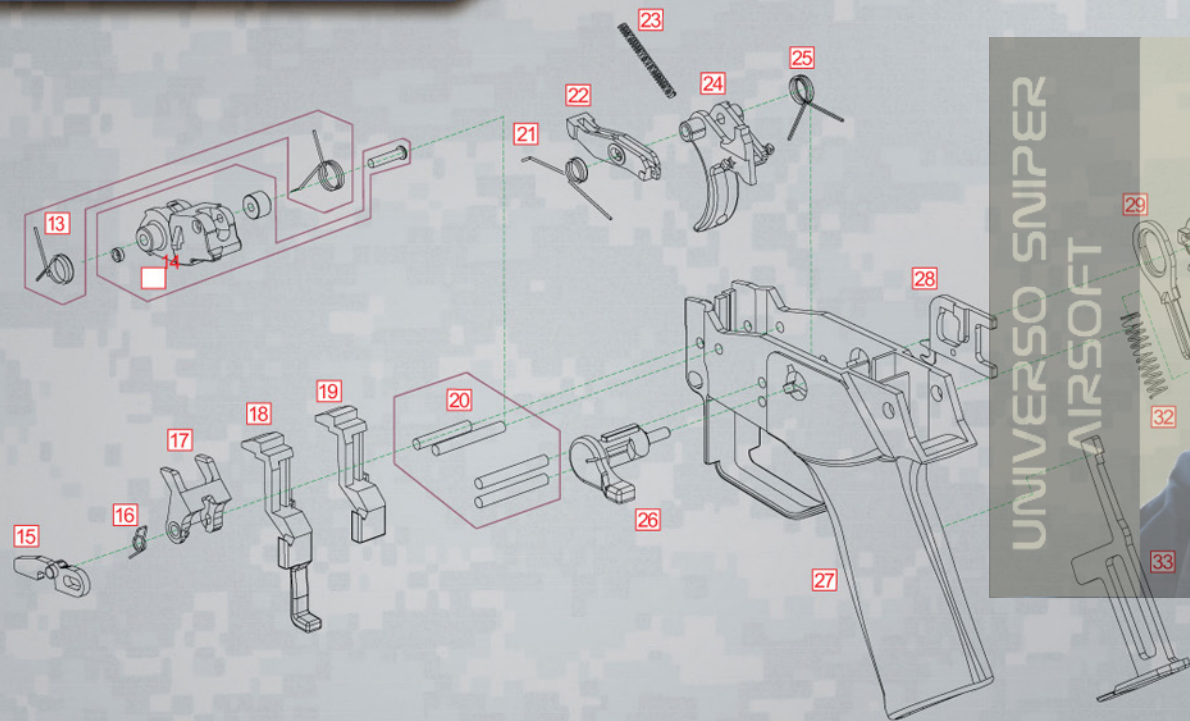
Upper Receiver parts list

No.	DESCRIPTION	No.	DESCRIPTION	No.	DESCRIPTION
34	Type C Inner Barrel	41	Lock Pin x 3	48	Recoil Spring set
35	Type K Inner Barrel	42	Magazine Catch		
36	Type KV Inner Barrel	43	Magazine Well		
37	Type E Inner Barrel	44	Air Nozzle		
38	Hop up Chamber	45	Screw set		
39	Hop up Bucking	46	Bolt Carrier		
40	Receiver	47	Back Plate		

You can buy all parts from your local dealer or reseller.

SR36 GBB SERIES SCHEMATIC

SR36 GBB LOWER RECEIVER SCHEMATIC



Lower Receiver parts list

No.	DESCRIPTION	No.	DESCRIPTION	No.	DESCRIPTION
13	Hammer Spring	20	Pin set	27	Pistol Grip
14	Hammer	21	Bolt Catch Spring	28	Sliter
15	Firing Pin	22	Sear	29	Index Plate
16	Firing Pin Spring	23	Sear Spring	30	Notched disk
17	Catch	24	Trigger	31	Safety Lever (R)
18	KV Bolt Catch	25	Trigger Spring	32	Index Spring
19	Bolt Catch	26	Safety Lever (L)	33	Grip Cover

You can buy all parts from your local dealer or reseller.

MEMO

