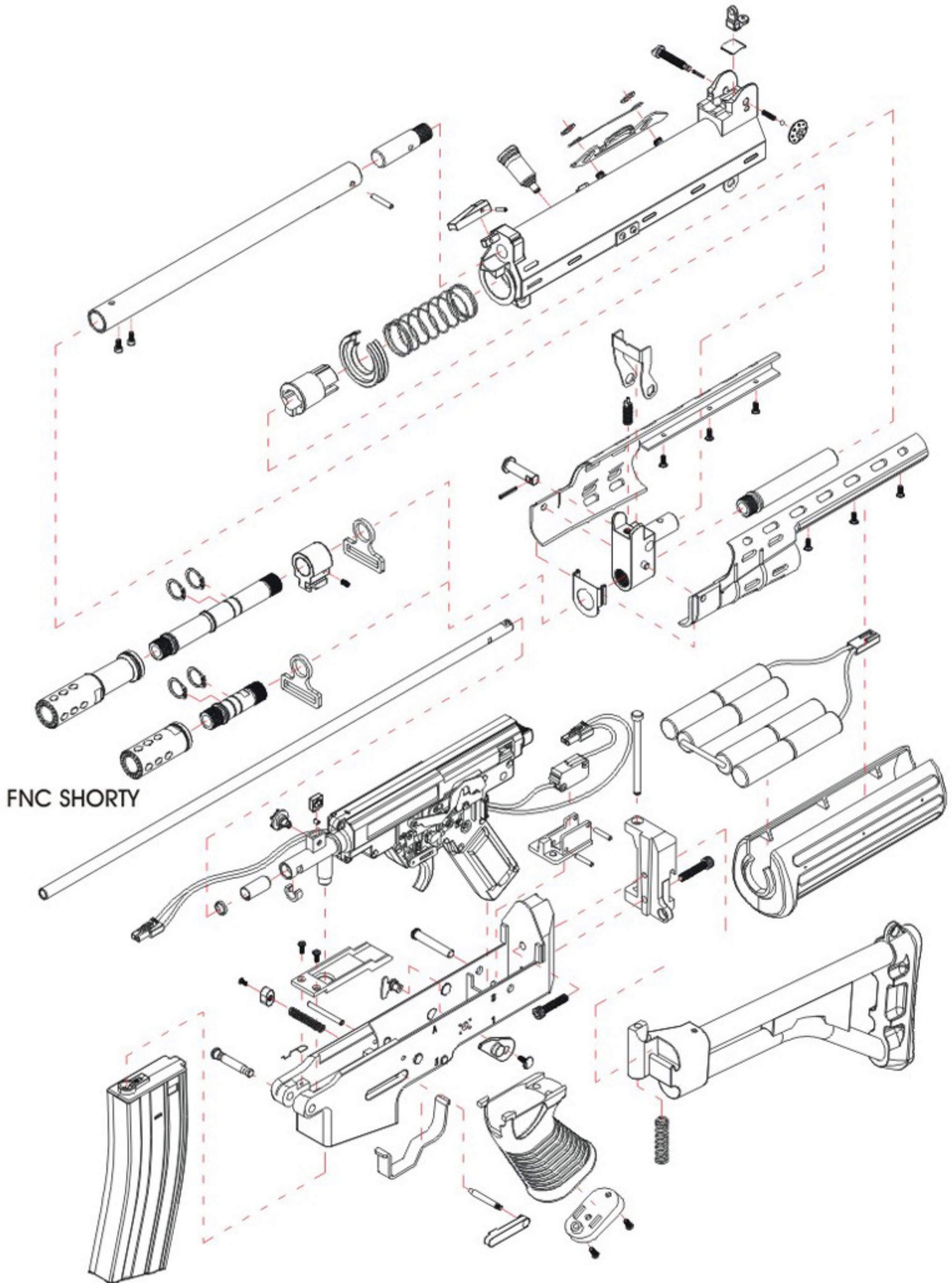


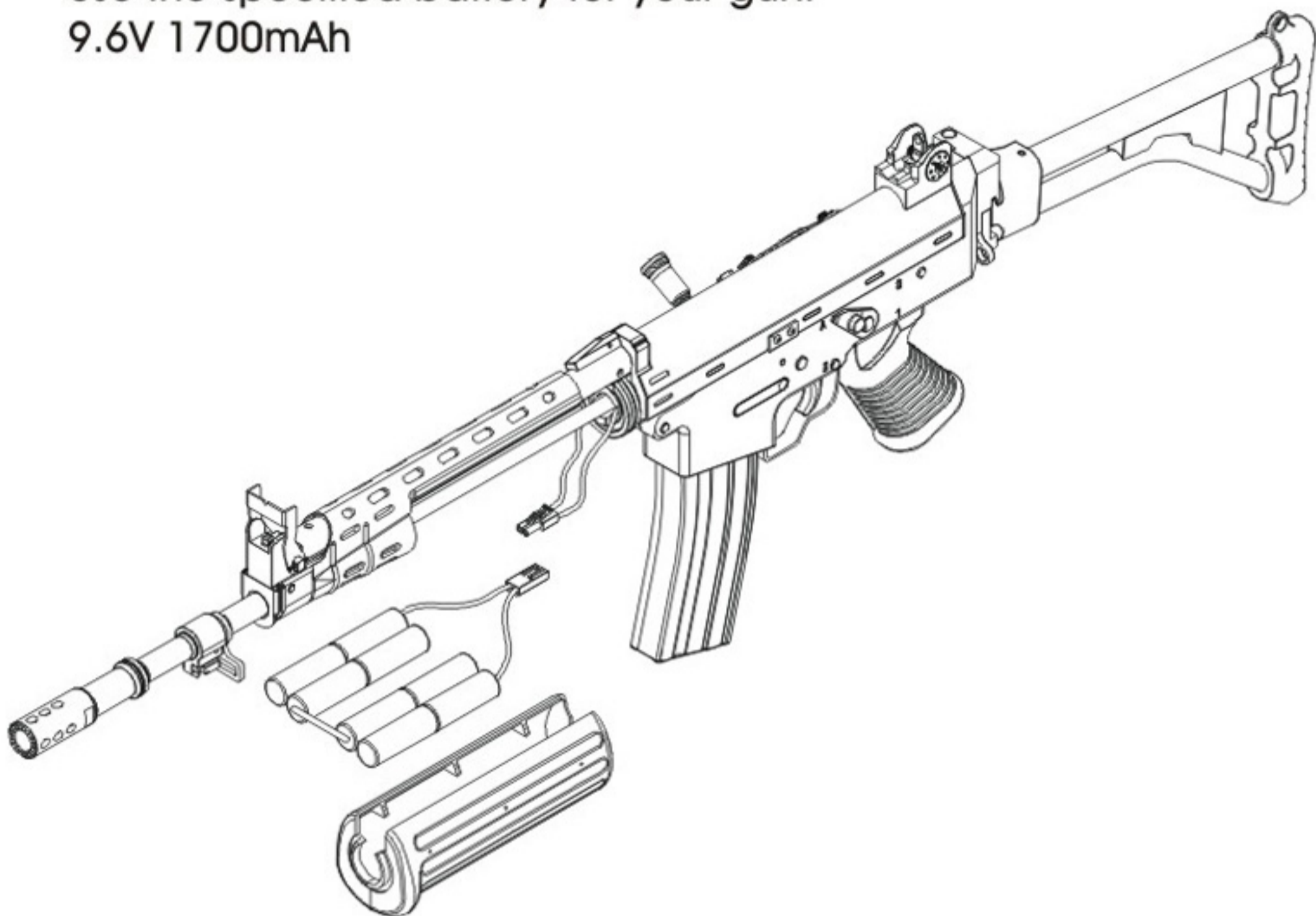
STAR FN FNC / FNC SHORTY



Insert the battery

Use the specified battery for your gun.

9.6V 1700mAh



Setting the magazine



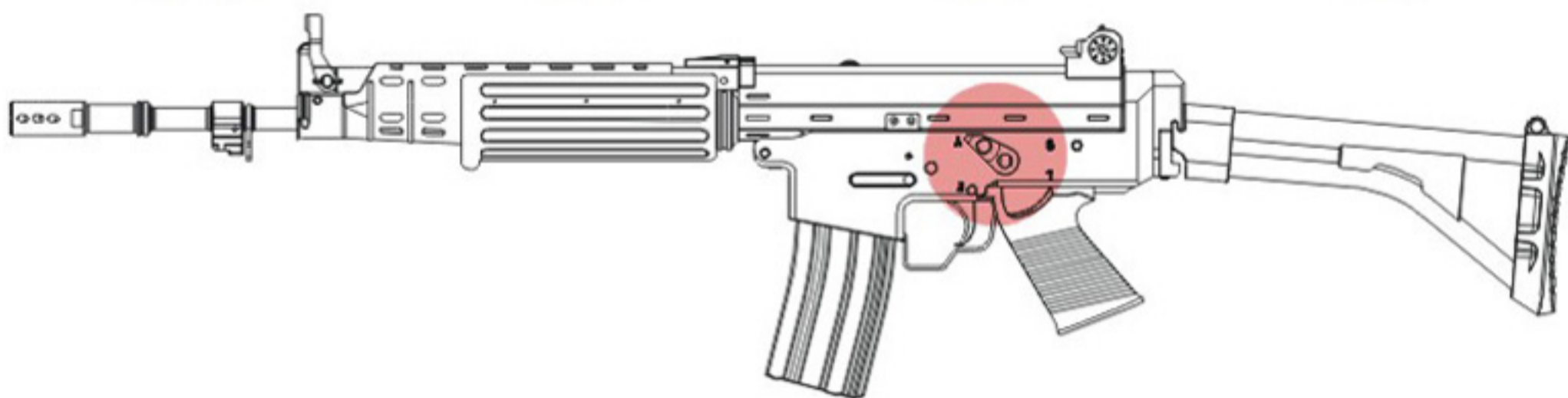
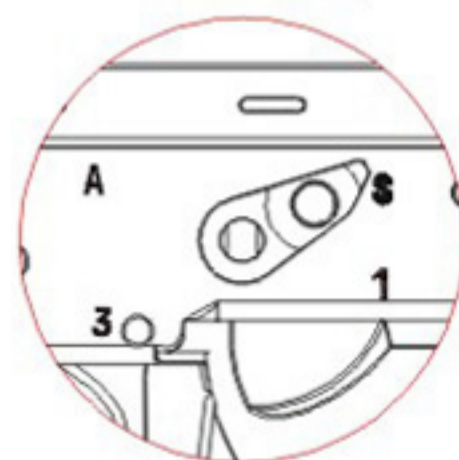
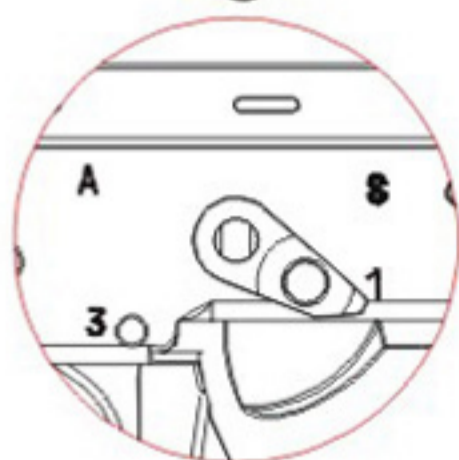
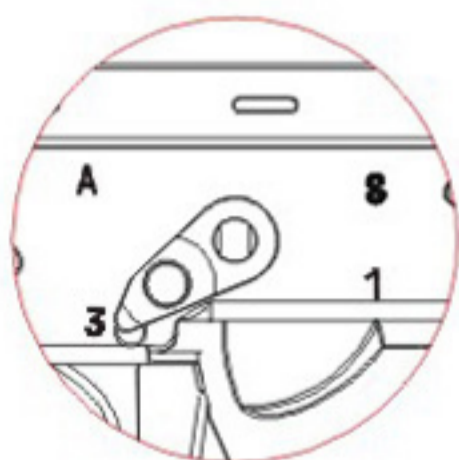
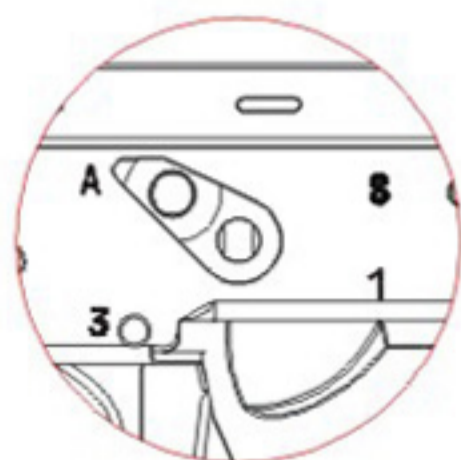
Firing mode

Auto

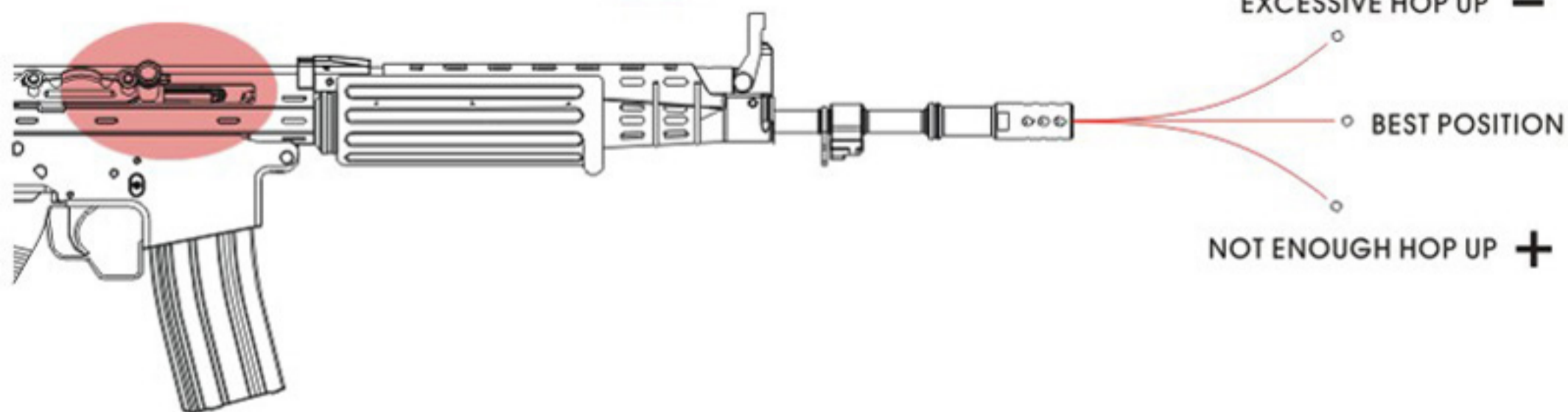
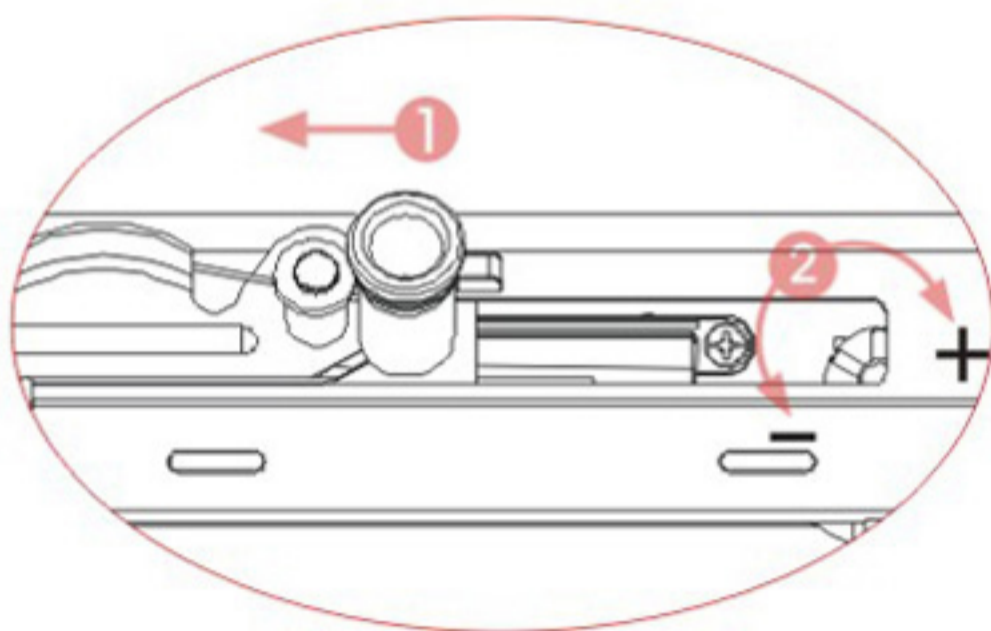
Burst

Single

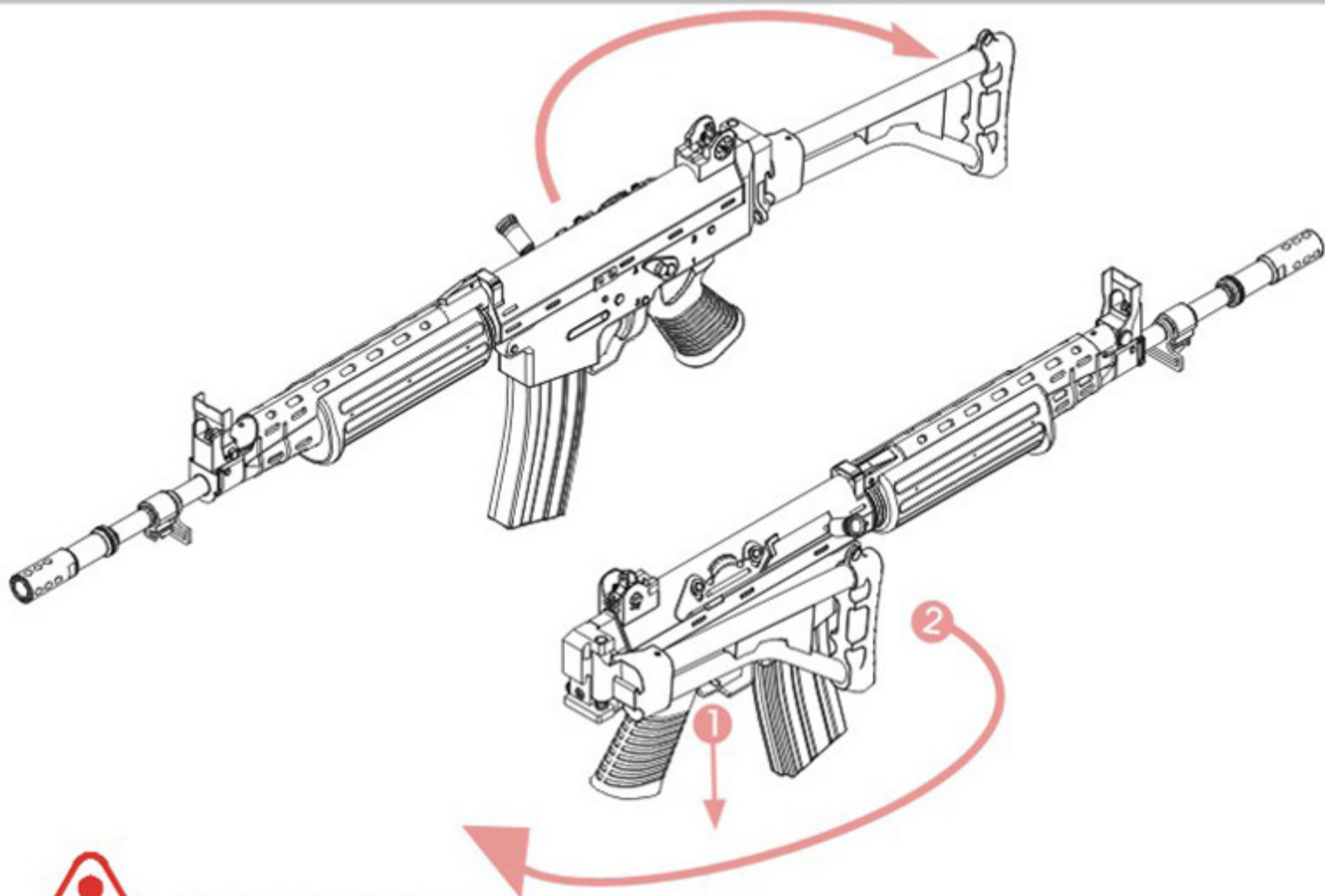
Safety



Hop-up adjustment



Folding Stock



WARNING



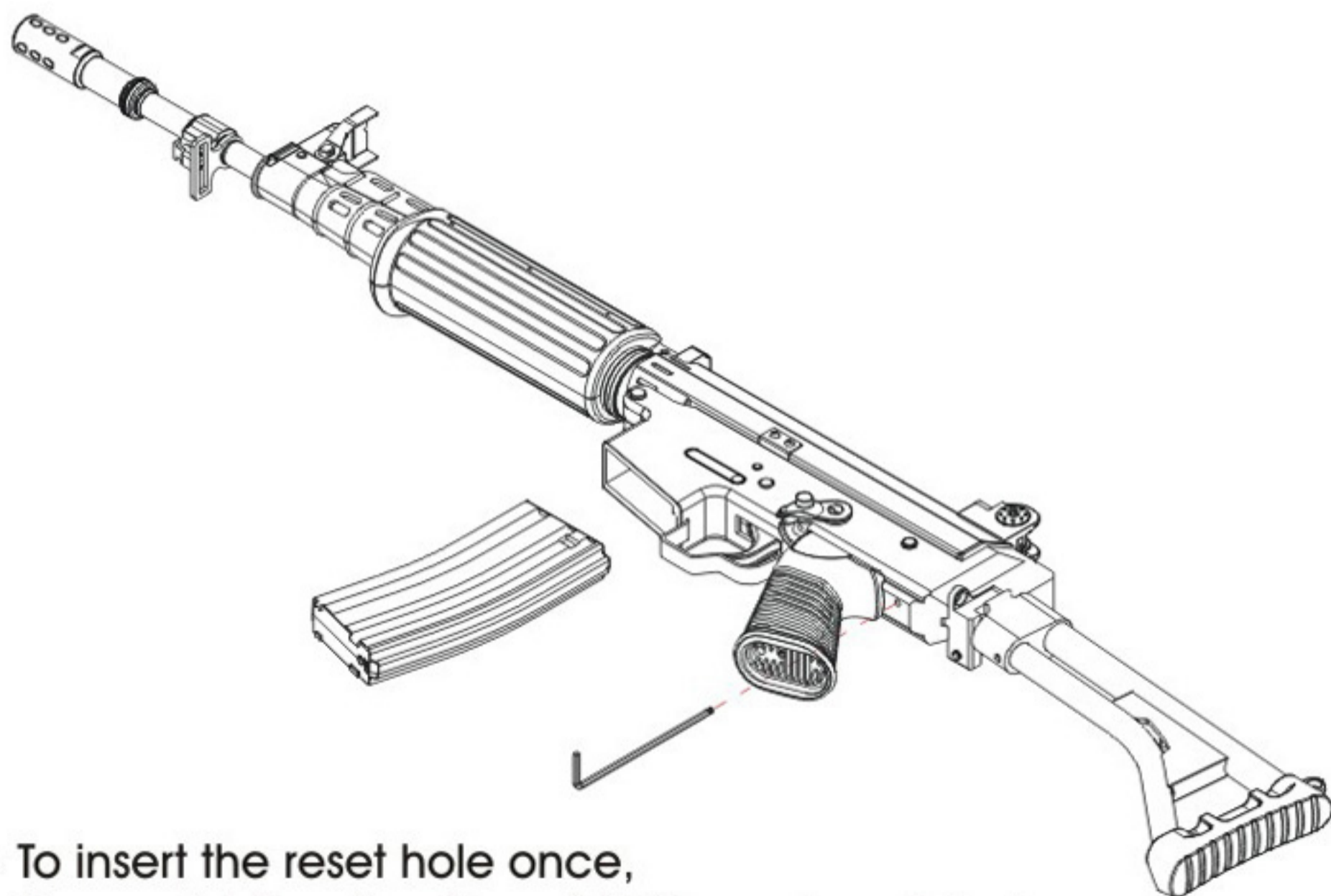
- .Do not aim or shoot a person or animal as the target.
- .Avoid pulling the trigger carelessly.
- .Always put the gun in a case or bag when you carrying it.
- .Always set the switch lever to the safety position.
- .Do not look into the gun muzzle.
- .Always wear eye protective gear.
- .Store the airsoft gun at the places out of reach by children.
- .Do not disassemble or modify the airsoft gun.

Gear box reset

In unusual situation, the AEG may been locked.
Use alien key or small stick , to insert the reset hole.
The motor will run again.



1 > Remove the magazines,
make sure no BB in the chamber.



2 > To insert the reset hole once,
Be careful the direction of AEG muzzle pointed.

DATA OF STAR FN FNC ELECTRIC GUN

MATERIAL: NYLON FIBER & ALUMINUM ALLOY

HOPUP SYSTEM: ADJUSTABLE

LENGTH: 765MM/1005MM

LENGTH: 660MM/900MM (SHORTY)

WEIGHT: 3840G

WEIGHT: 3730G (SHORTY)

MAGAZINE CAPACITY: 130 ROUNDS

BULLET: 6MM BB BULLETS

BATTERY: 9.6V 1700MAH

MOTOR: HIGH TORQUE FLAT MOTOR