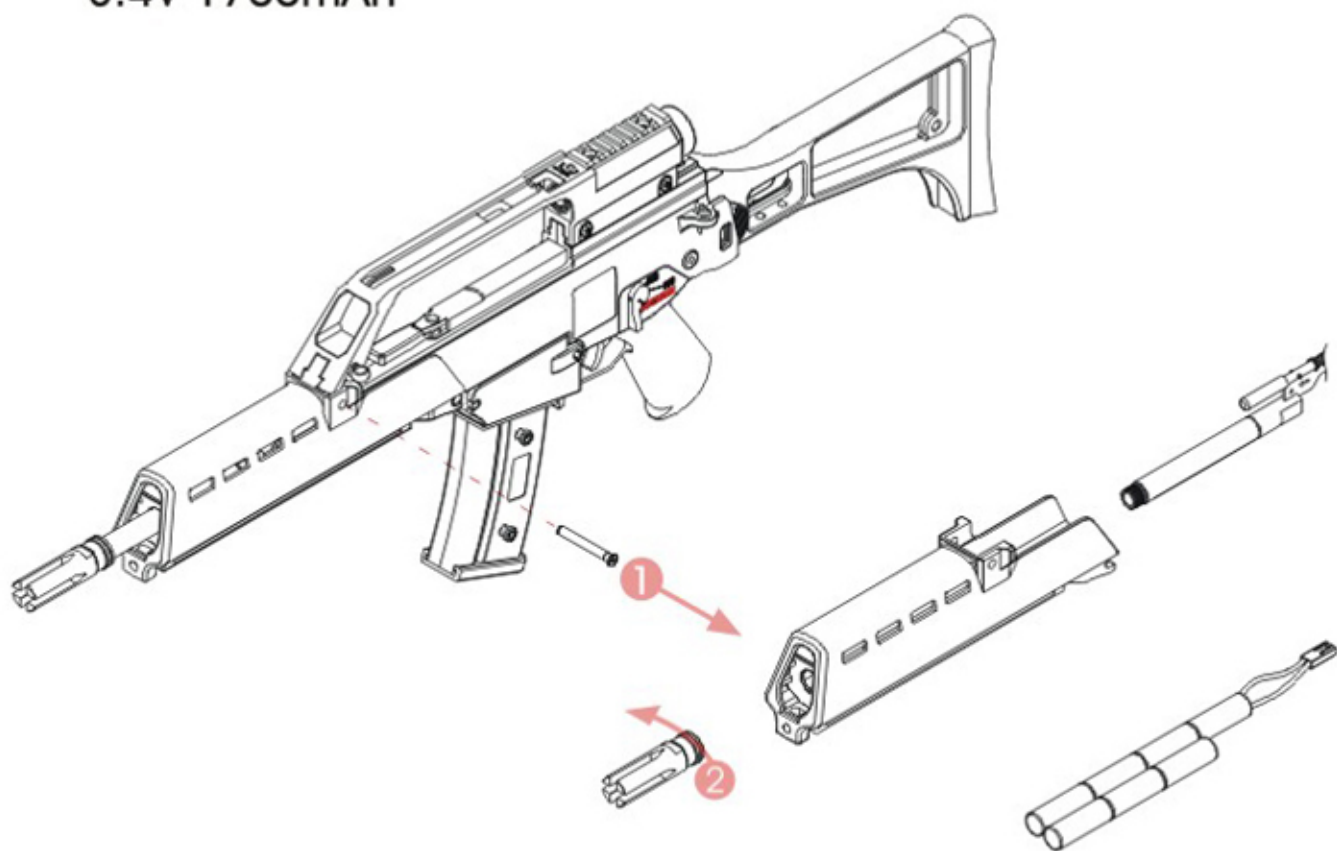
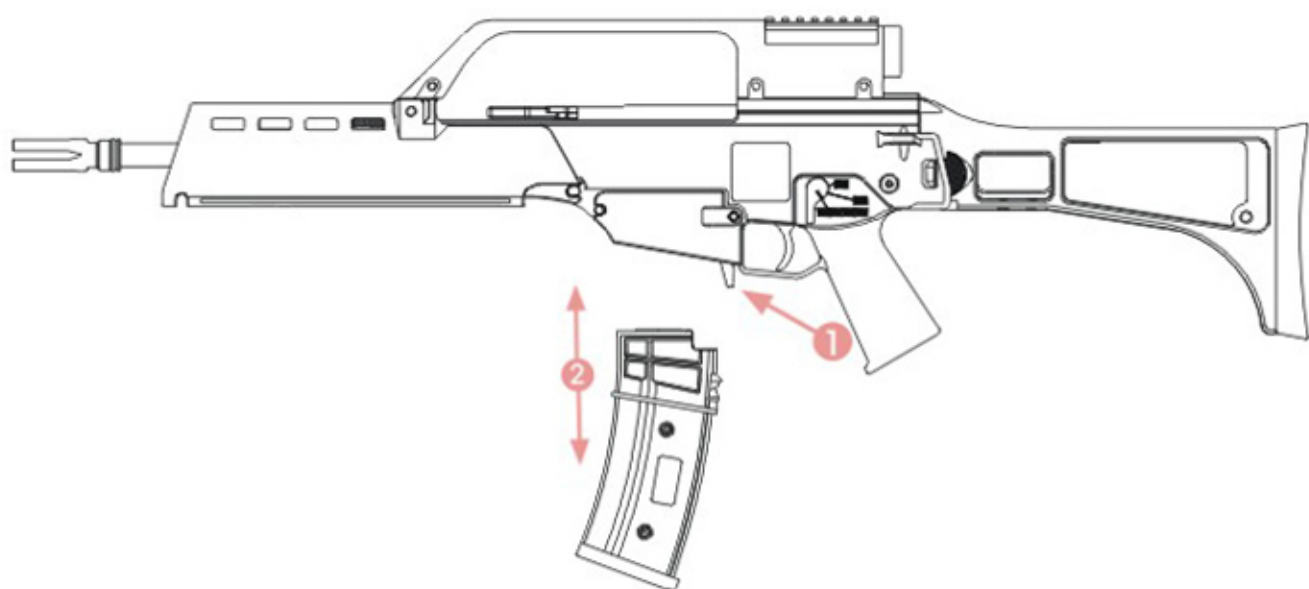


Insert the battery

Use the specified battery for your gun.
8.4V 1700mAh

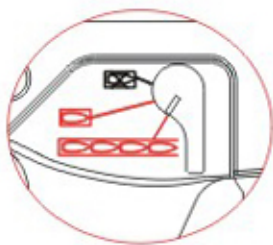


Setting the magazine

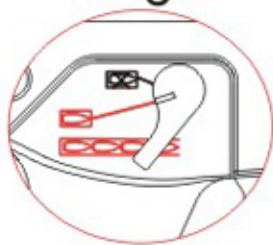


Firing mode

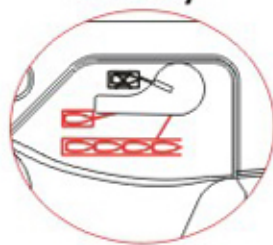
Auto



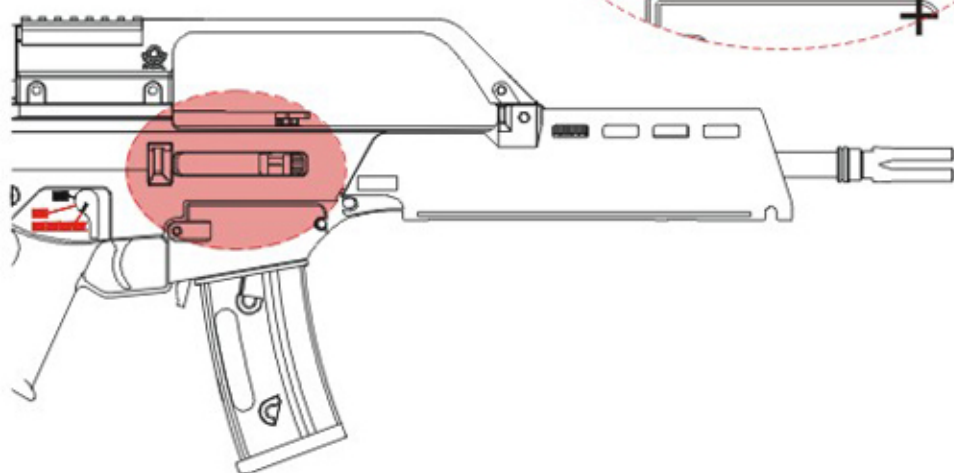
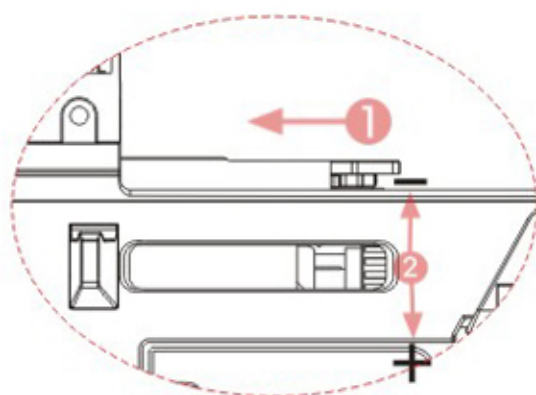
Single



Safety



Hop-up adjustment

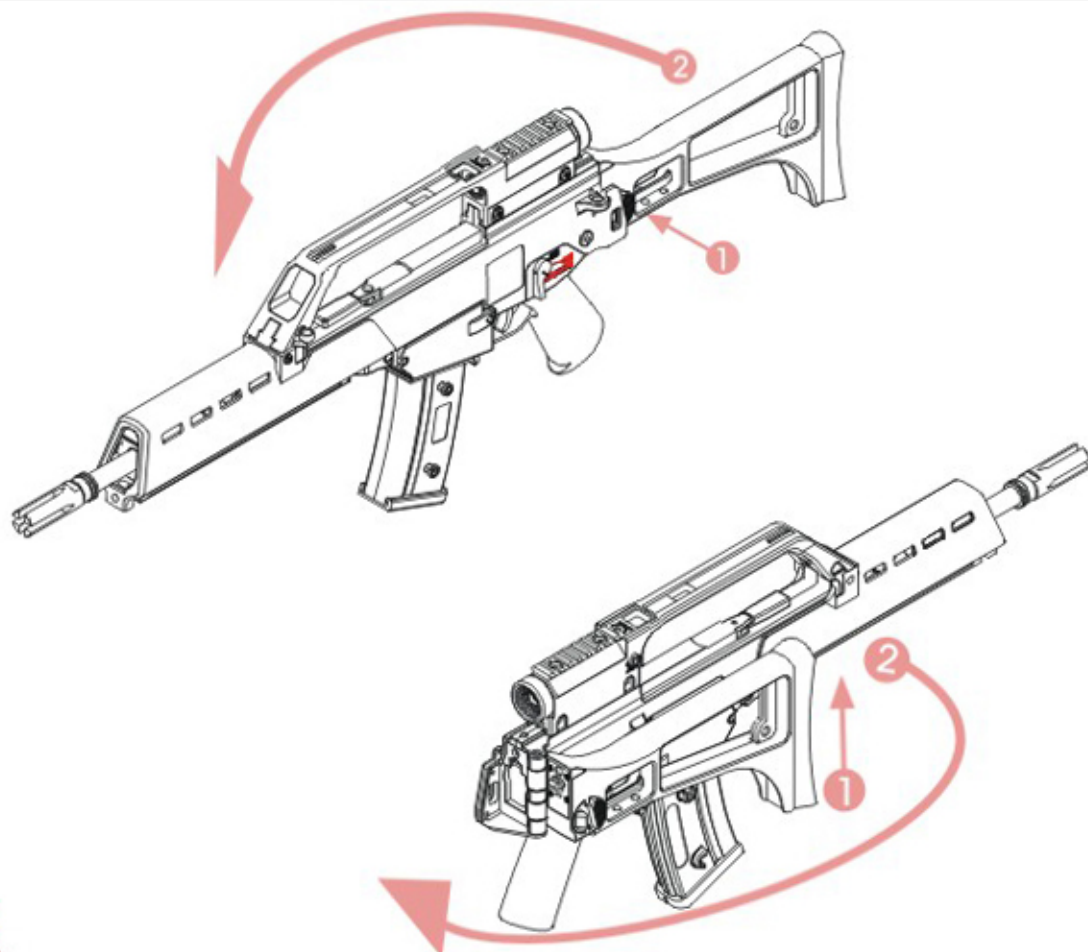


EXCESSIVE HOP UP -

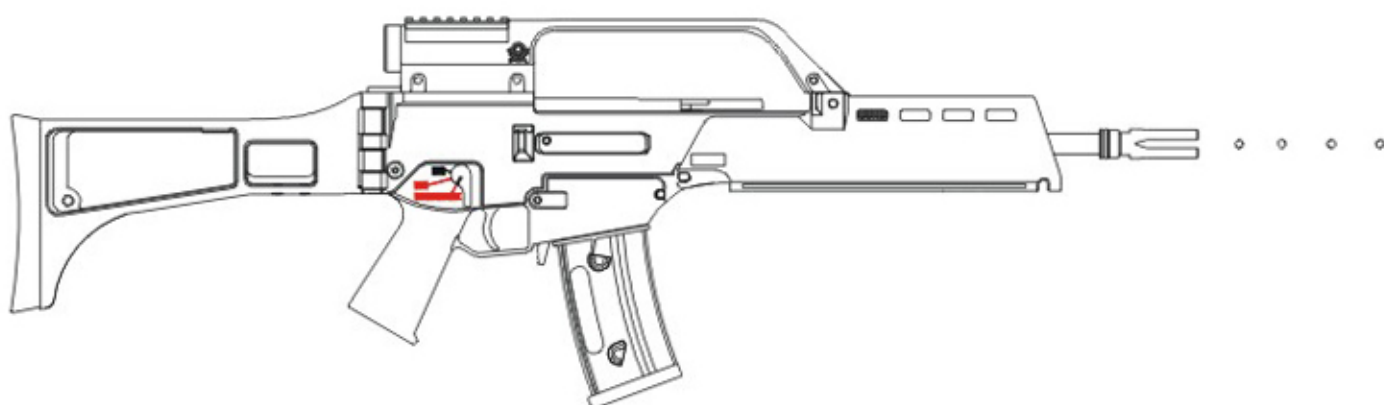
BEST POSITION ○

NOT ENOUGH HOP UP +

Folding Stock



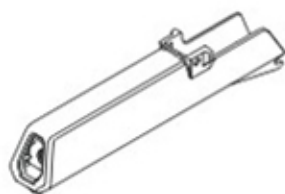
WARNING



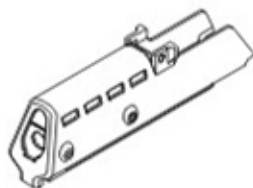
- .Do not aim or shoot a person or animal as the target.
- .Avoid pulling the trigger carelessly.
- .Always put the gun in a case or bag when you carrying it.
- .Always set the switch lever to the safety position.
- .Do not look into the gun muzzle.
- .Always wear eye protective gear.
- .Store the airsoft gun at the places out of reach by children.
- .Do not disassemble or modify the airsoft gun.

Optional accessories

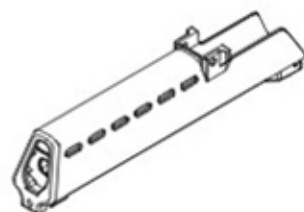
SI-8 Handguard



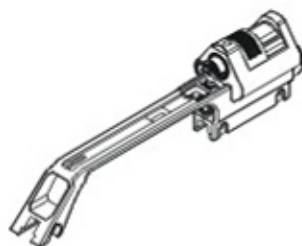
G36KE over size Handguard



G36 real size Handguard



G36 Dual Sighting Handle



G36 Rail Mount Base



SI-8 Long Sight Rail



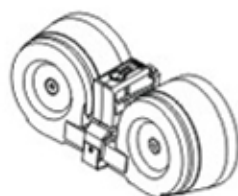
Ag36 Grenade Launcher



Sound Suppressor



2000 Rds C-Mag



470 Rds Mag



20 Rds Mag



PDF por Sniper
Matadores Airsoft Club
www.matadoresairsoft.com

DATA OF STAR HK G36K ELECTRIC GUN

MATERIAL: NYLON FIBER & ZINC ALLOY

HOPUP SYSTEM: ADJUSTABLE

LENGTH: 620MM / 880MM (STOCK EXTENDED)

WEIGHT: 2850G

MAGAZINE CAPACITY: 140 ROUNDS

BULLET: 6MM BB BULLETS

BATTERY: 8.4V 1700MAH

MOTOR: HIGH TORQUE FLAT MOTOR

The logo features a red starburst above the word "STAR" in a bold, red, sans-serif font. Below "STAR" are the words "AIRSOFT ACCESSORIES" and the website "www.starairsoft.com" in a smaller, red, sans-serif font.

STAR
AIRSOFT ACCESSORIES
www.starairsoft.com