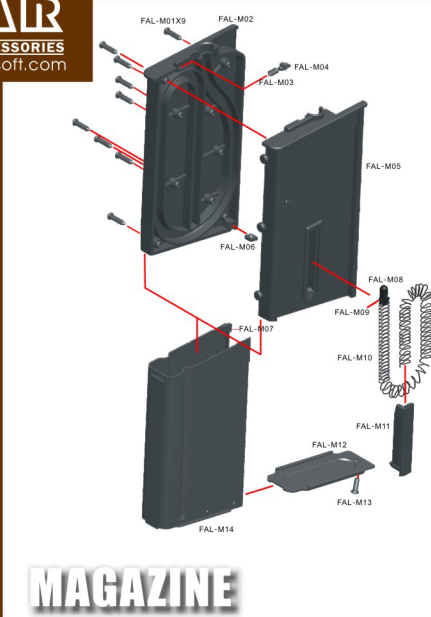
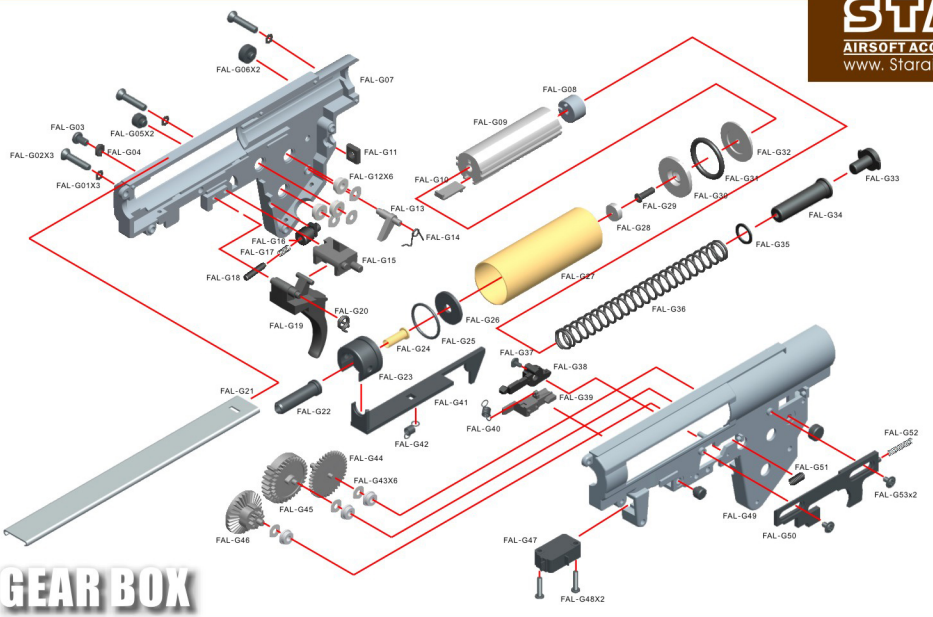
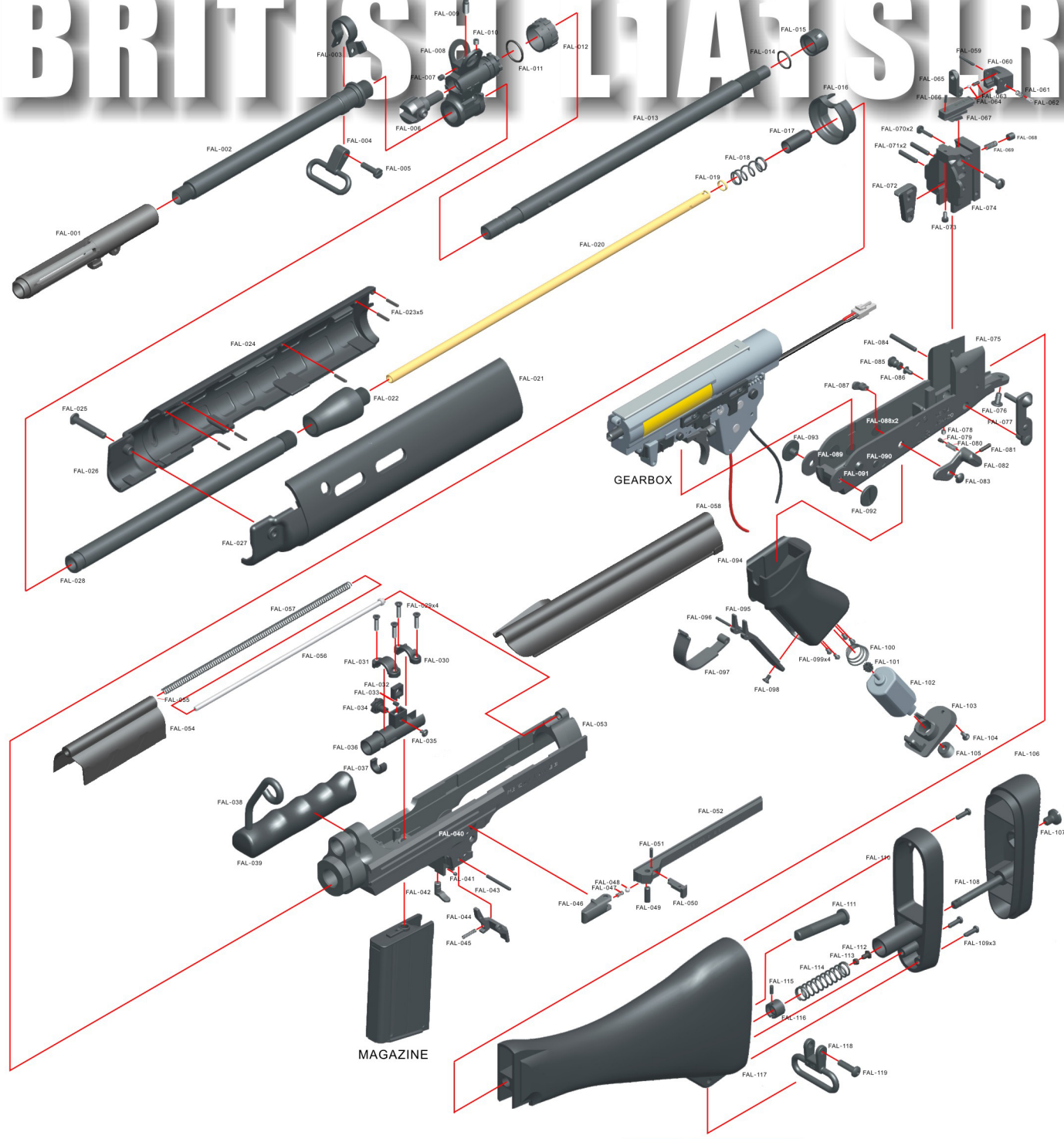


# BRITISH TRANSIR

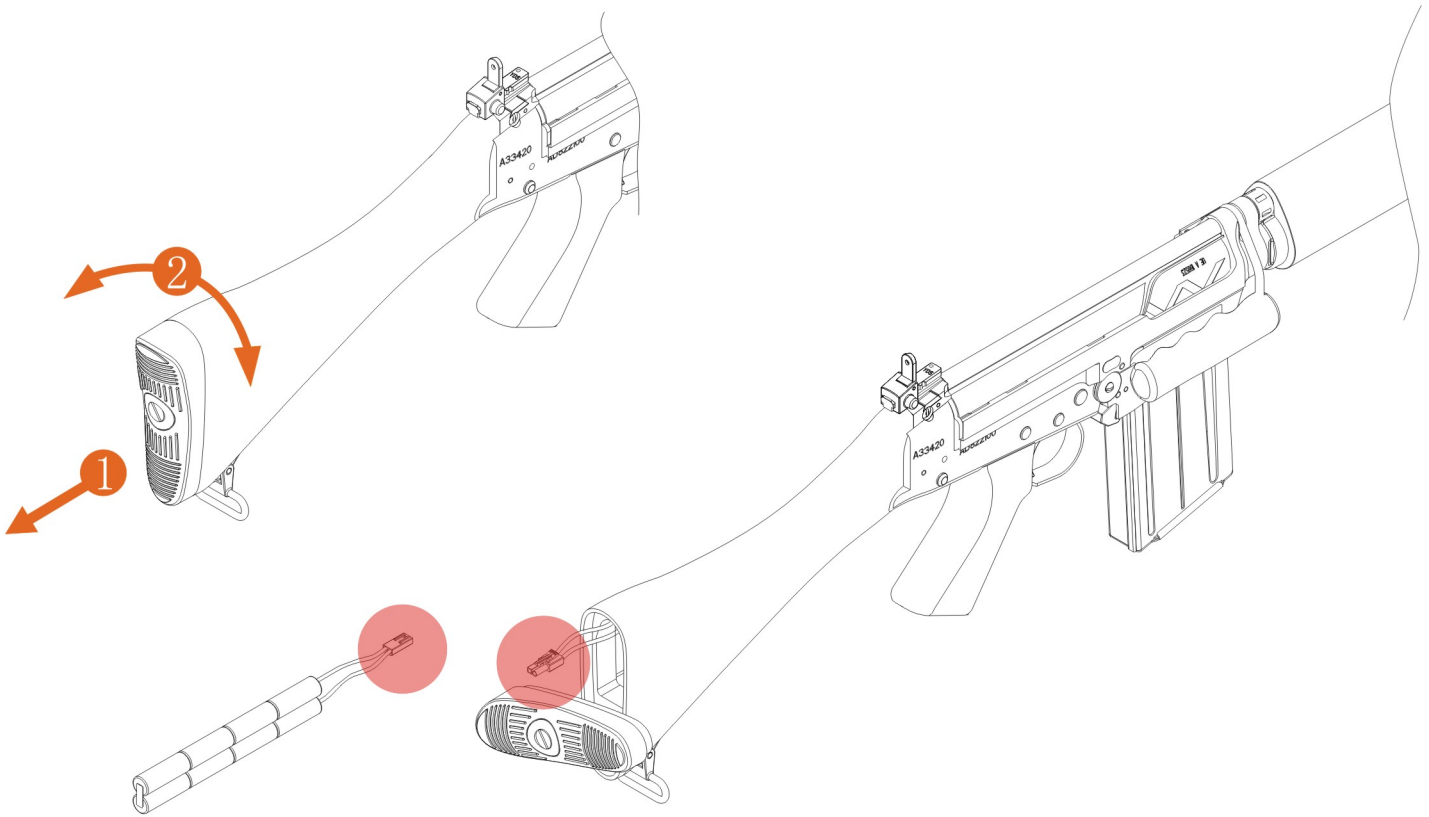


GEAR BOX

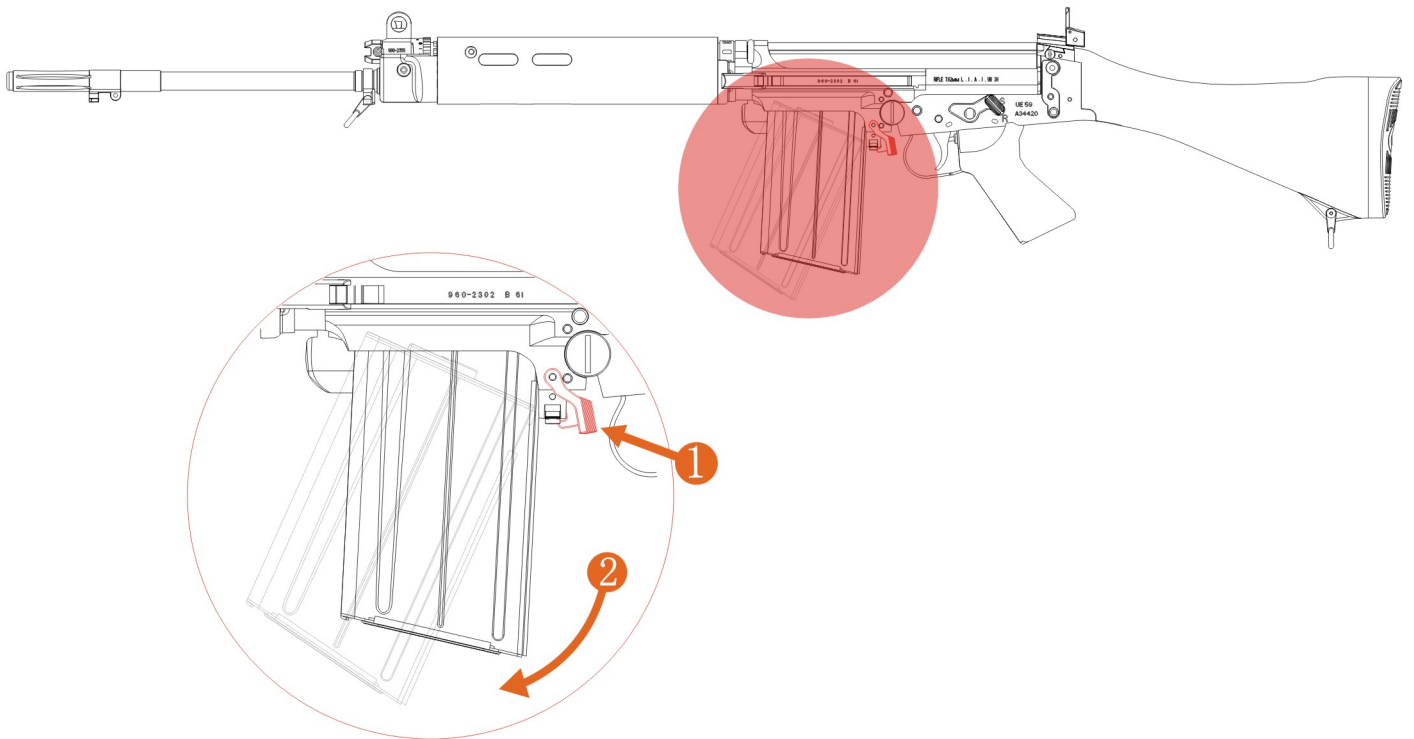
MAGAZINE

# BATTERY INSTALLATION

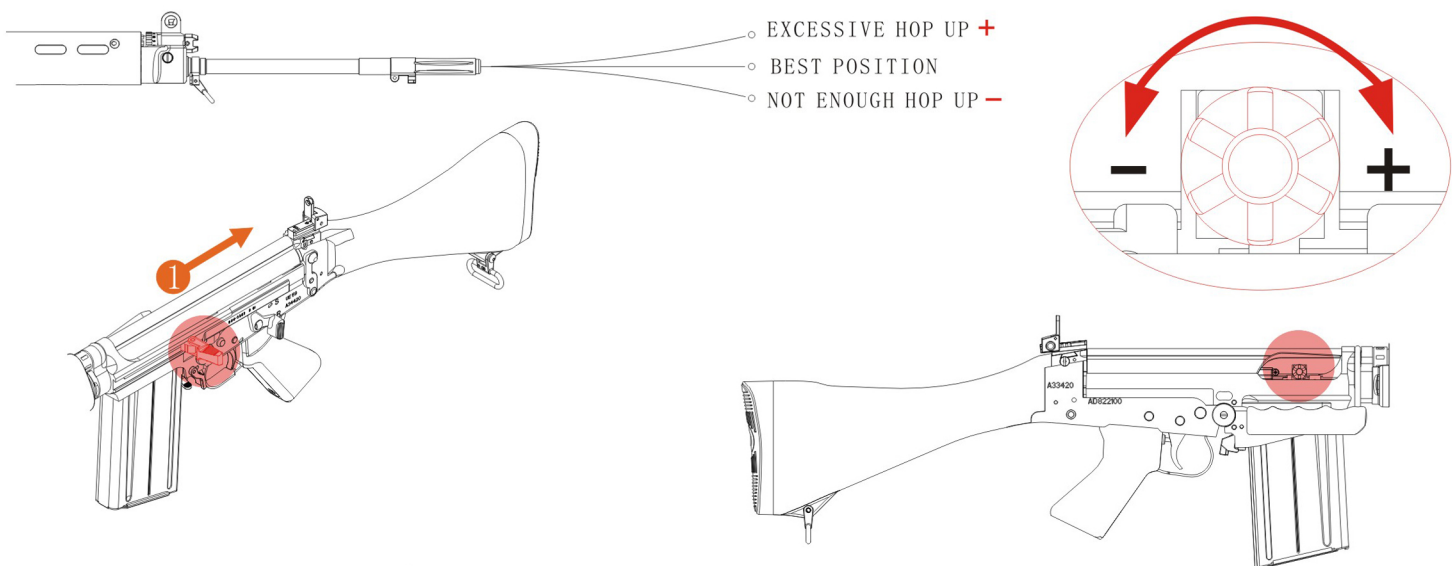
USE THE SPECIFIED BATTERY FOR YOUR GUN 9.6V 1700MAH



# SETTING THE MAGAZINE



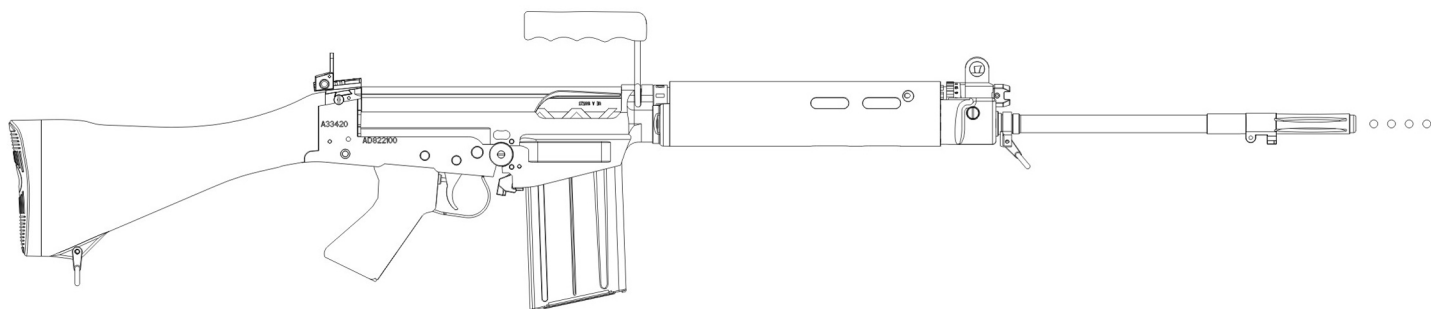
# HOP-UP ADJUSTMENT



# SAFETY MODE



# WARNING



- . Do not aim or shoot a person or animal as the target.
- . Avoid pulling the trigger carelessly.
- . Always put the gun in a case or bag when you carrying it.
- . Always set the switch lever to the safety position.
- . Do not look into the gun muzzle.
- . Always wear eye protective gear.
- . Store the airsoft gun at the places out of reach by children.
- . Do not disassemble or modify the airsoft gun.

# **DATA OF STAR L1A1 SLR ELECTRIC GUN**

**MATERIAL: NYLON FIBER & ZINC ALLOY**

**HOPUP SYSTEM: ADJUSTABLE**

**LENGTH: 1155MM**

**WEIGHT: 3790G**

**MAGAZINE CAPACITY: 120 ROUNDS**

**BULLET: 6MM BB BULLETS**

**BATTERY: 9.6V 1700MAH**

**MOTOR: HIGH TORQUE FLAT MOTOR**