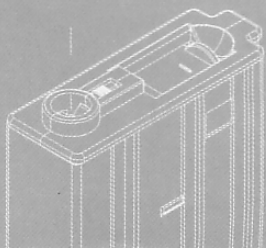
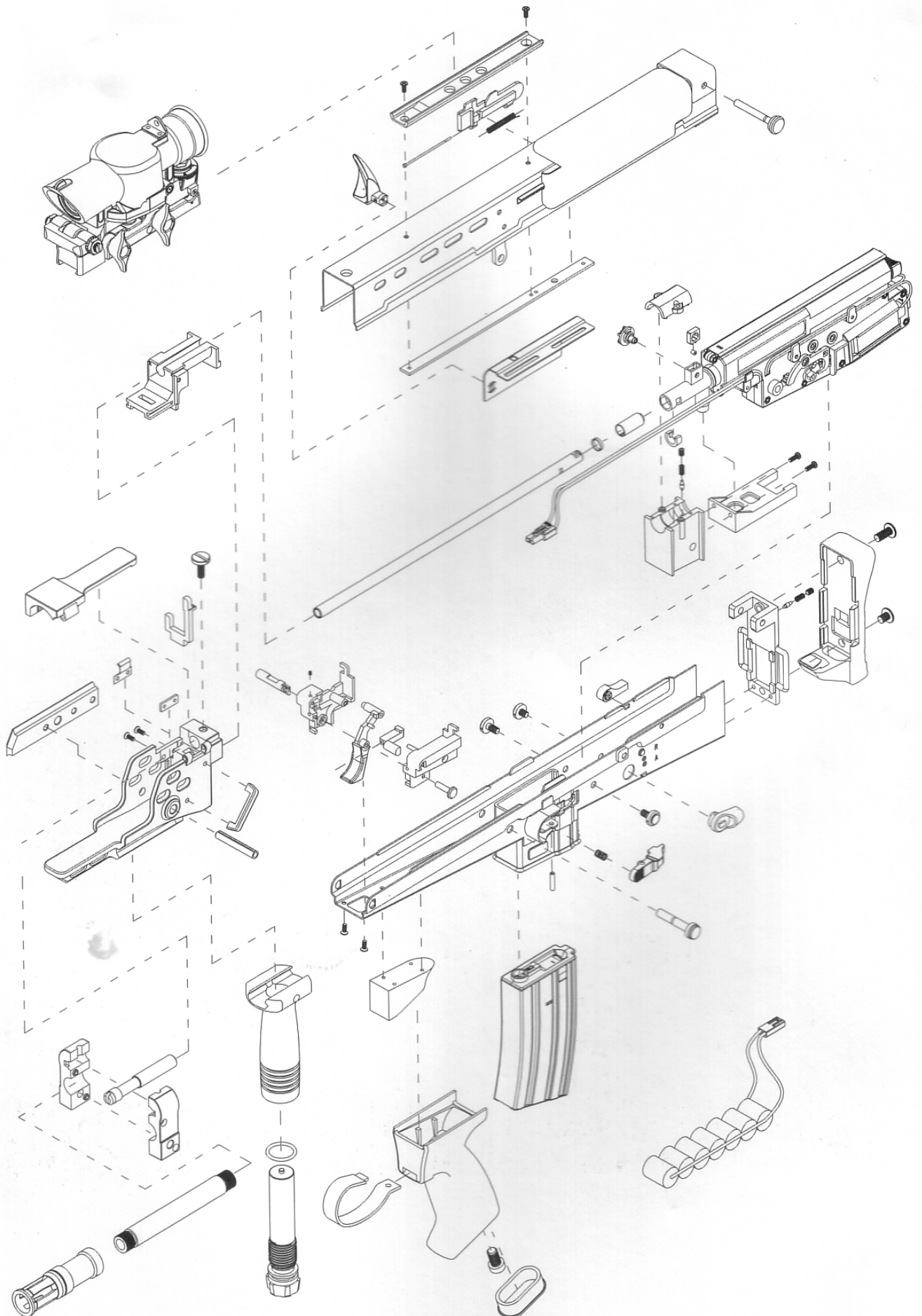


L85 AFW



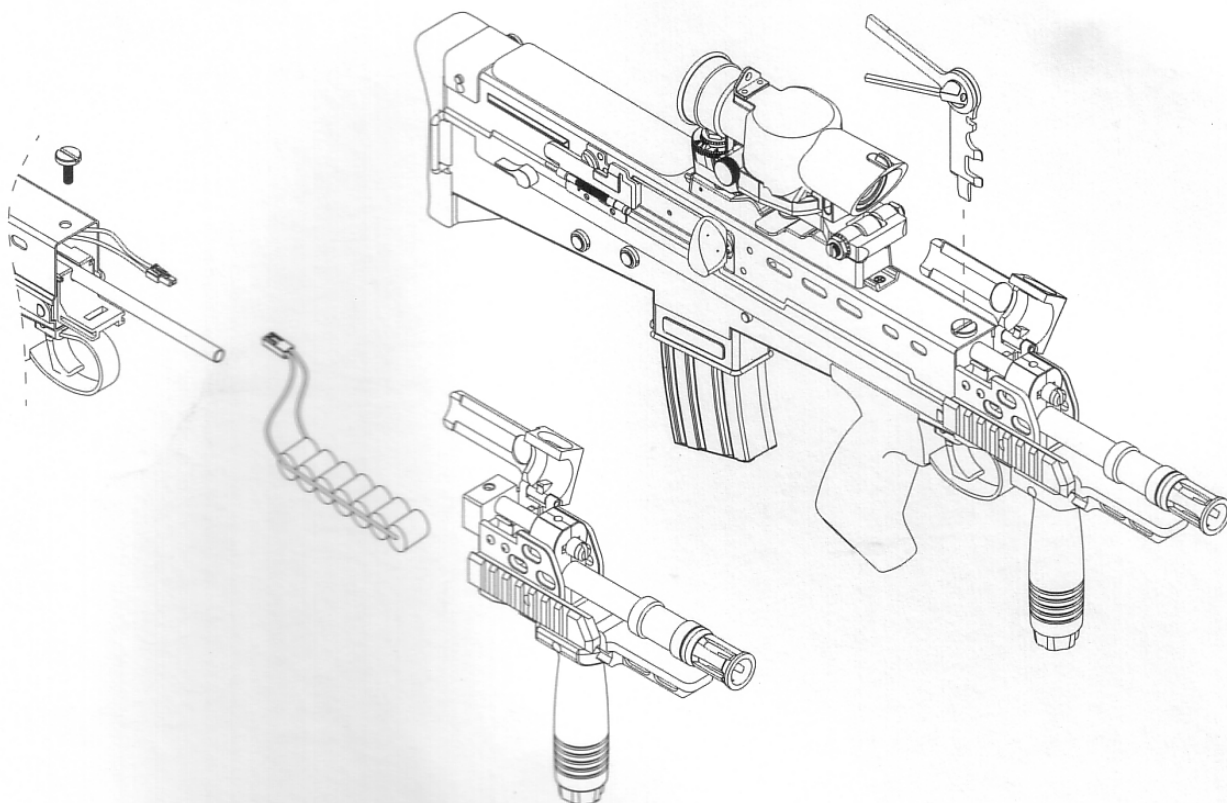
STAR L85 AFV



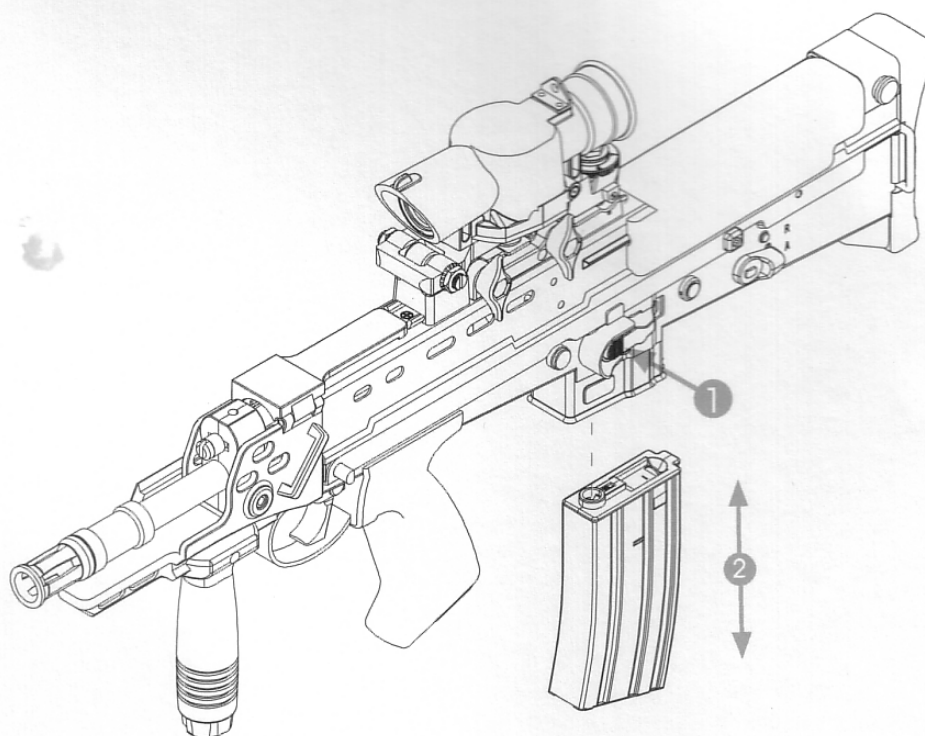
Insert the battery

Use the specified battery for your gun.

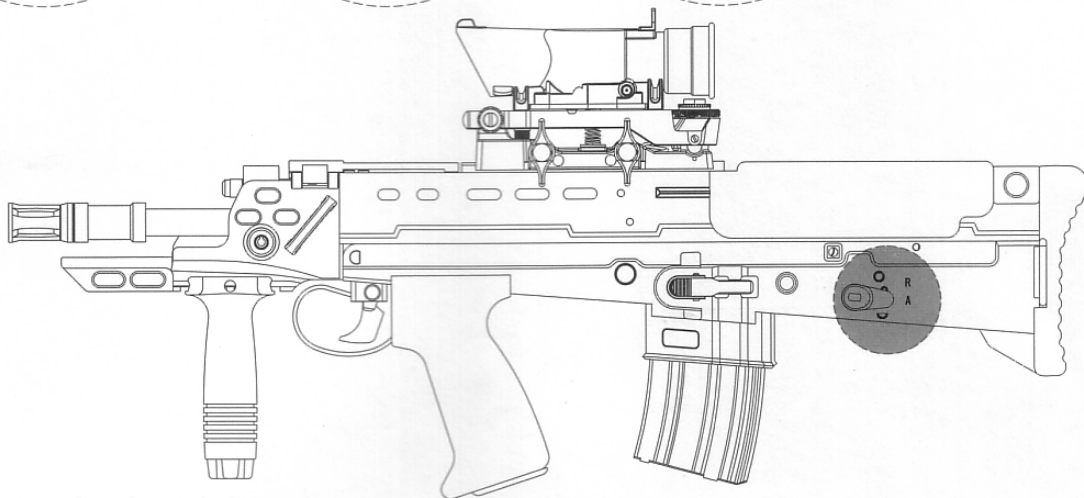
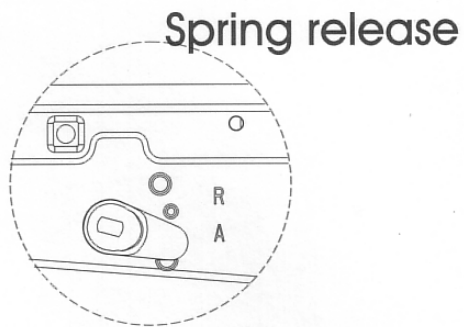
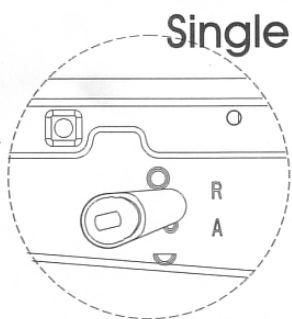
8.4V 600mAh



Setting the magazine

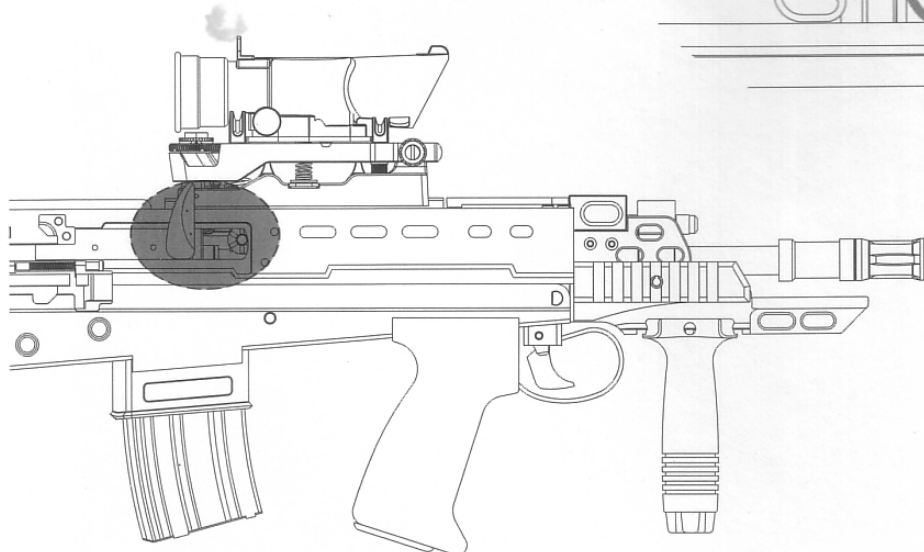
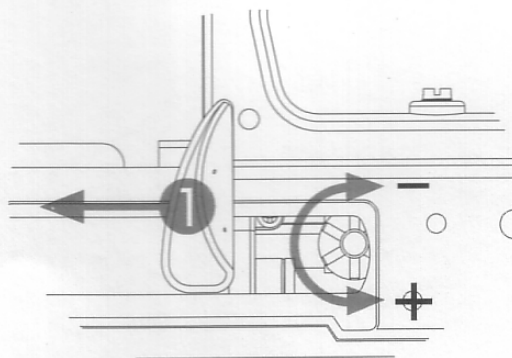


Firing mode



* Must pull the sector back to R or A position after released the spring

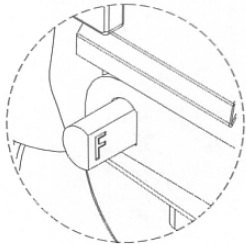
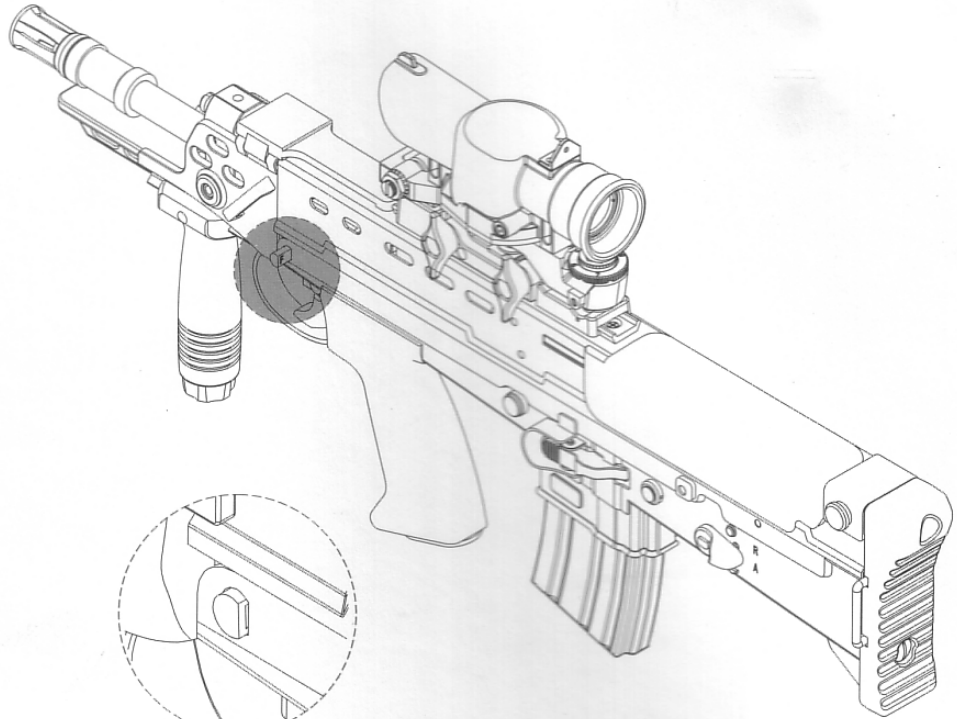
Hop-up adjustment



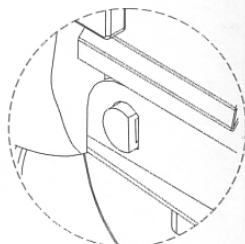
EXCESSIVE HOP UP -

BEST POSITION

NOT ENOUGH HOP UP +



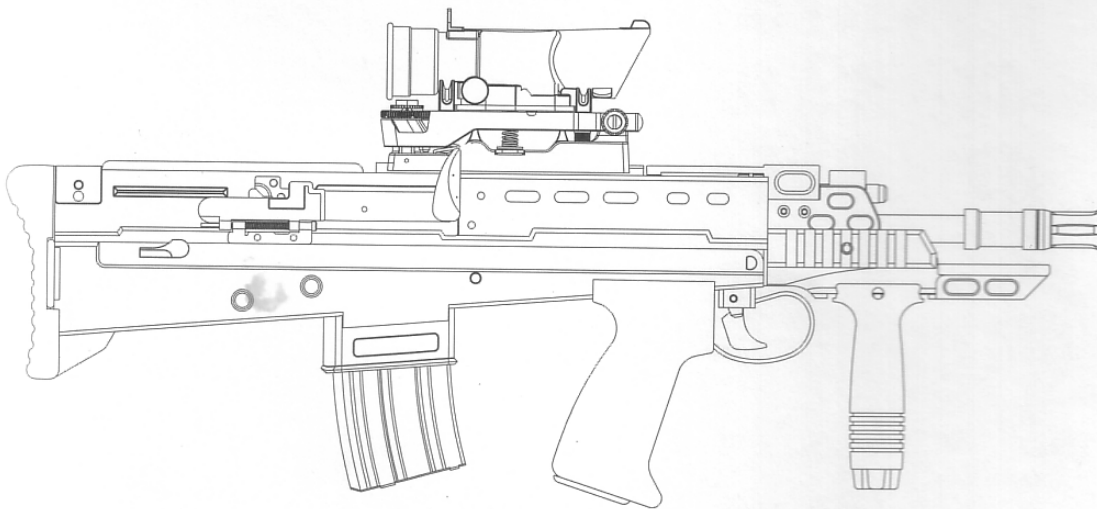
Firing position



Safety position



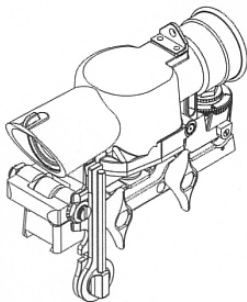
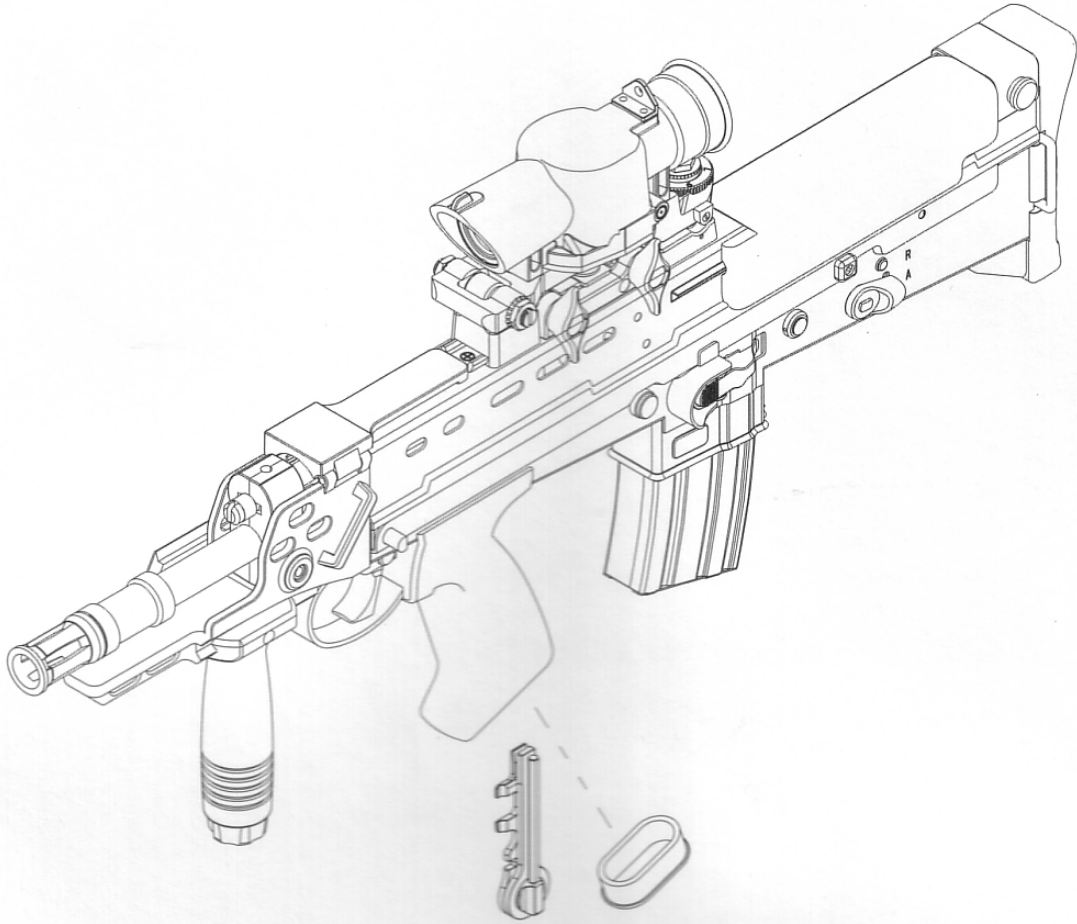
WARNING



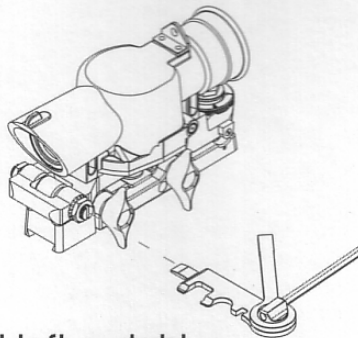
- .Do not aim or shoot a person or animal as the target.
- .Avoid pulling the trigger carelessly.
- .Always put the gun in a case or bag when you carrying it.
- .Always set the switch lever to the safety position.
- .Do not look into the gun muzzle.
- .Always wear eye protective gear.
- .Store the airsoft gun at the places out of reach by children.
- .Do not disassemble or modify the airsoft gun.

Susat adjustment:

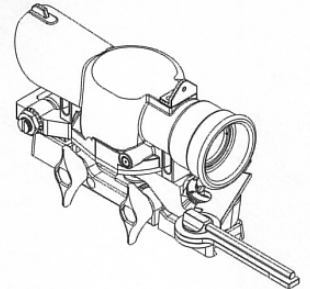
FULL METAL 4X SUSAT



Loose the nut



Adjust left or right



Adjust up or down

PDF por Sniper
Matadores Airsoft Club
www.matadoresairsoft.com

DATA OF L85 AFV ELECTRIC GUN

MATERIAL: NYLON FIBER & STEEL

HOPUP SYSTEM: ADJUSTABLE

LENGTH: 605MM

WEIGHT: 4400G

MAGAZINE CAPACITY: 150 ROUNDS

BULLET: 6MM BB BULLETS

BATTERY: 8.4V 600MAH

MOTOR: HIGH TORQUE FLAT MOTOR


STAR
AIRSOFT ACCESSORIES
www.starairsoft.com