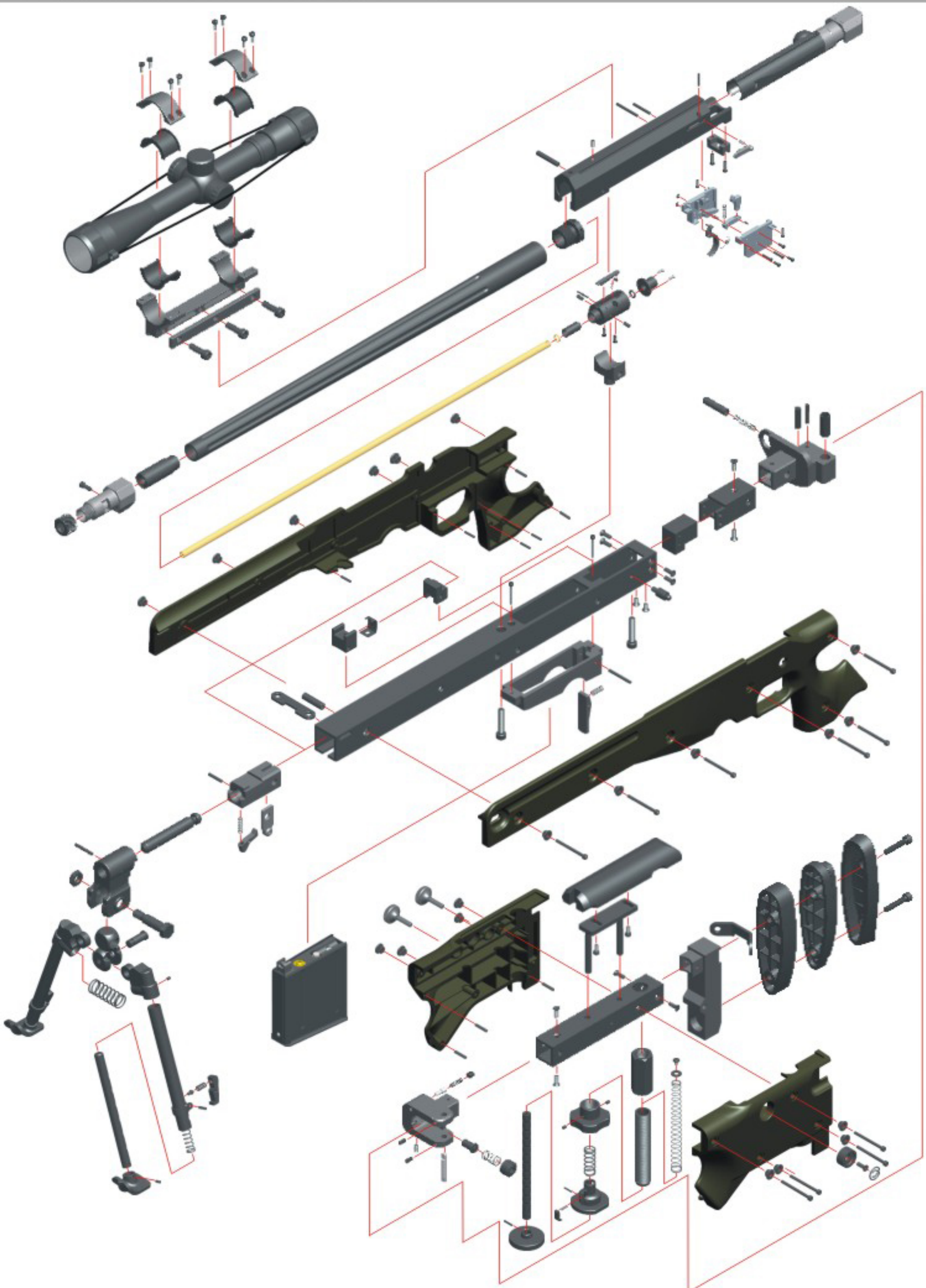
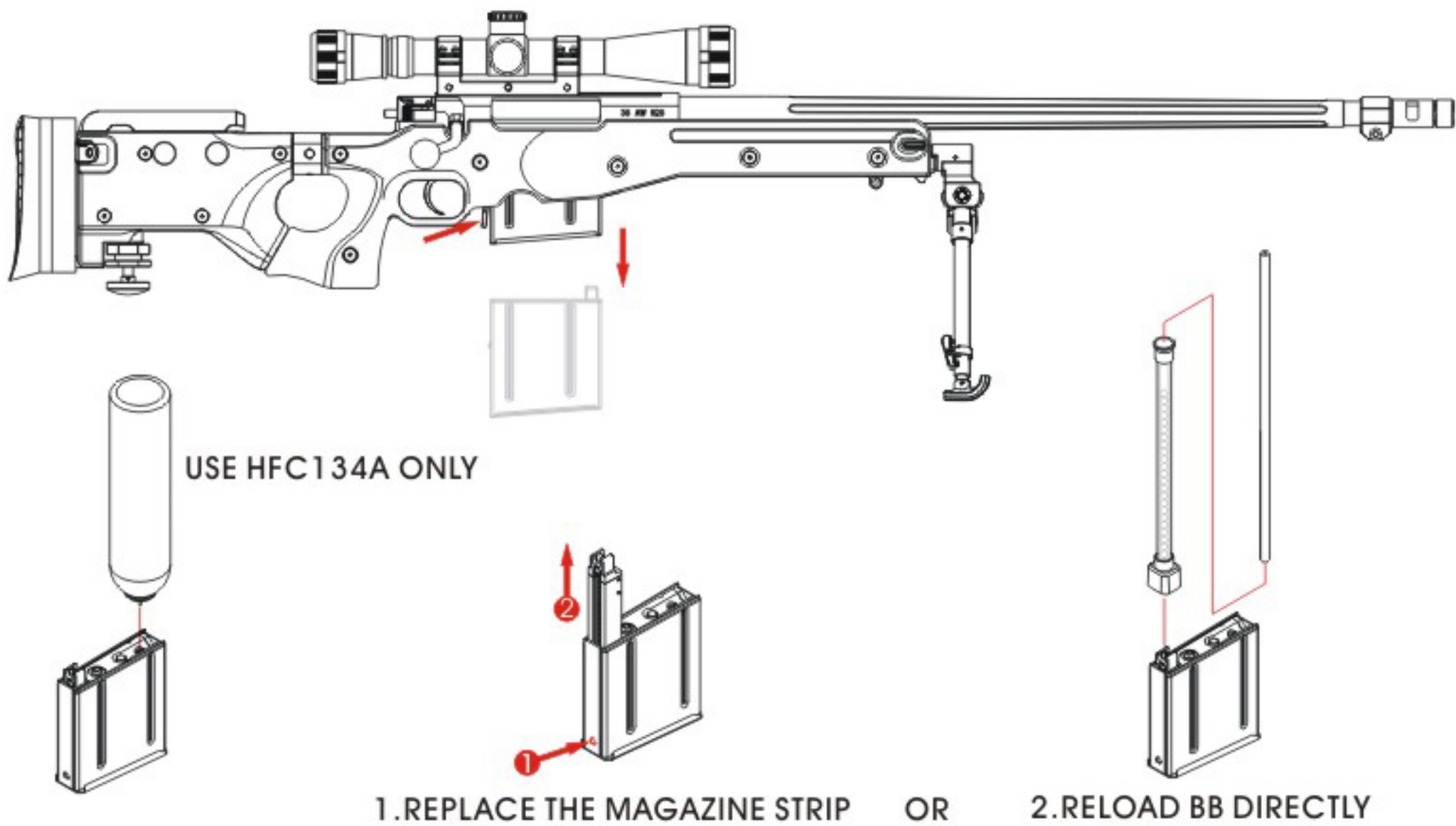


# AW 338 EXPOSE PLAN

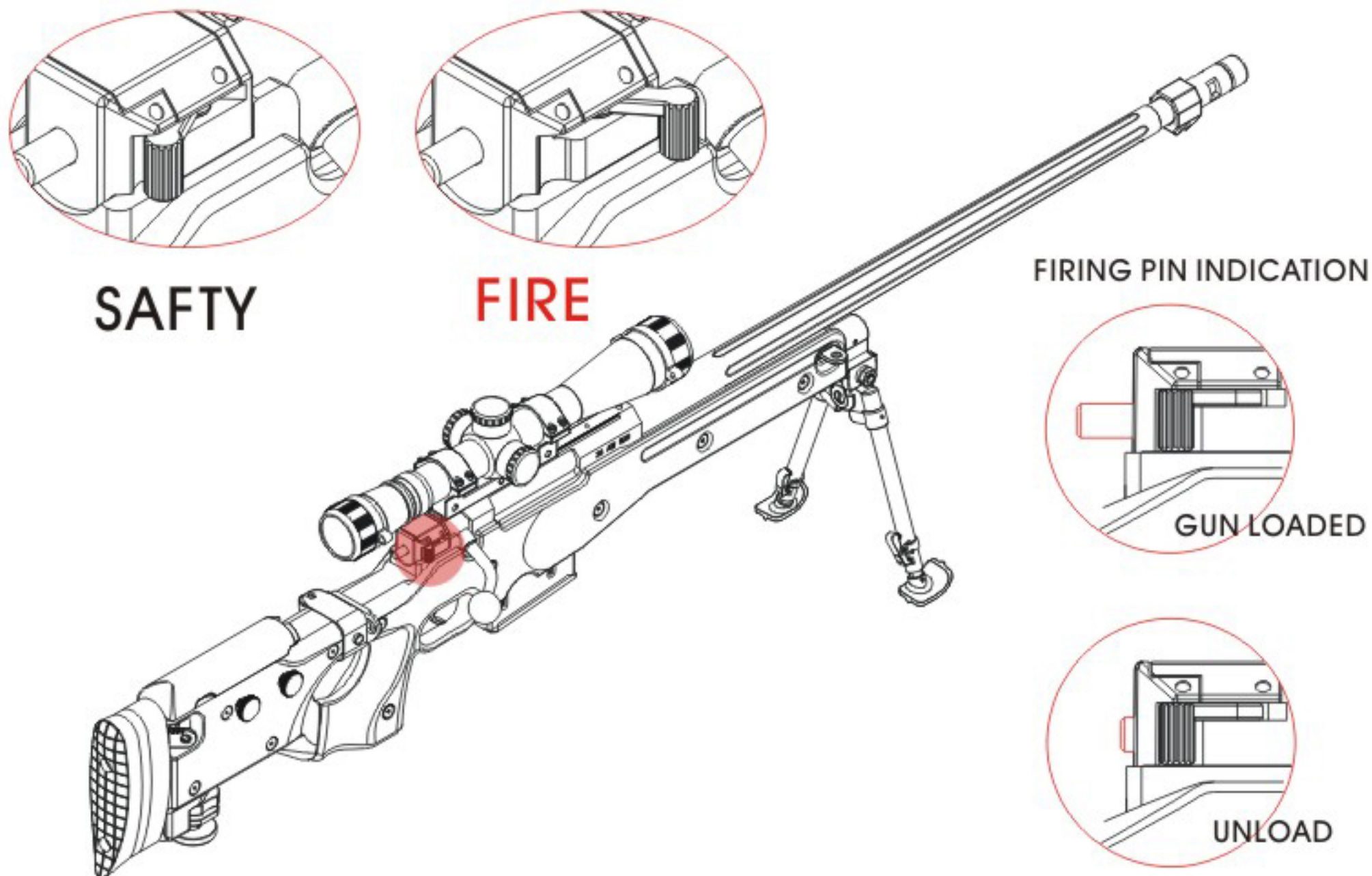




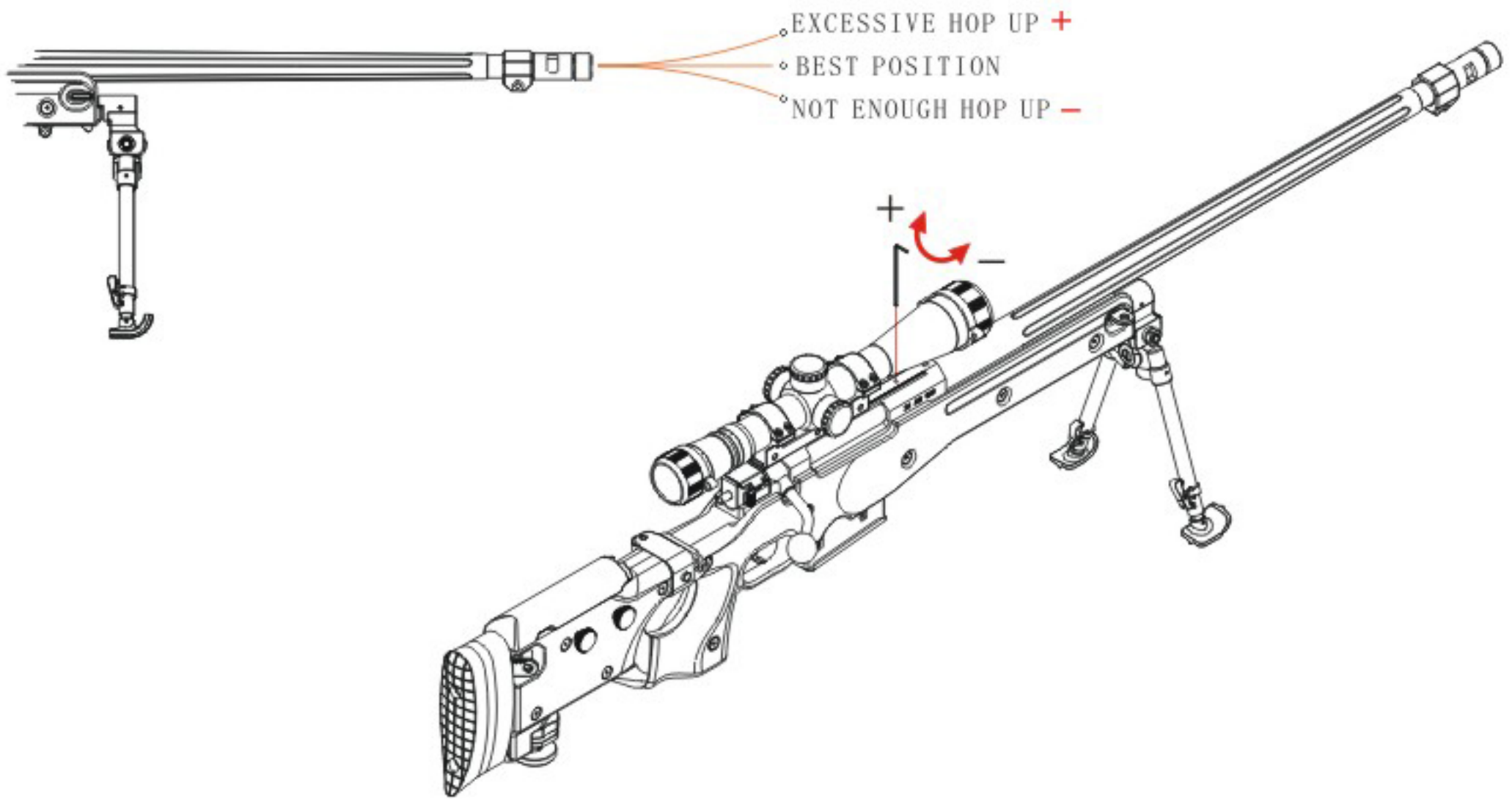
# GAS CHARGING & RELOAD



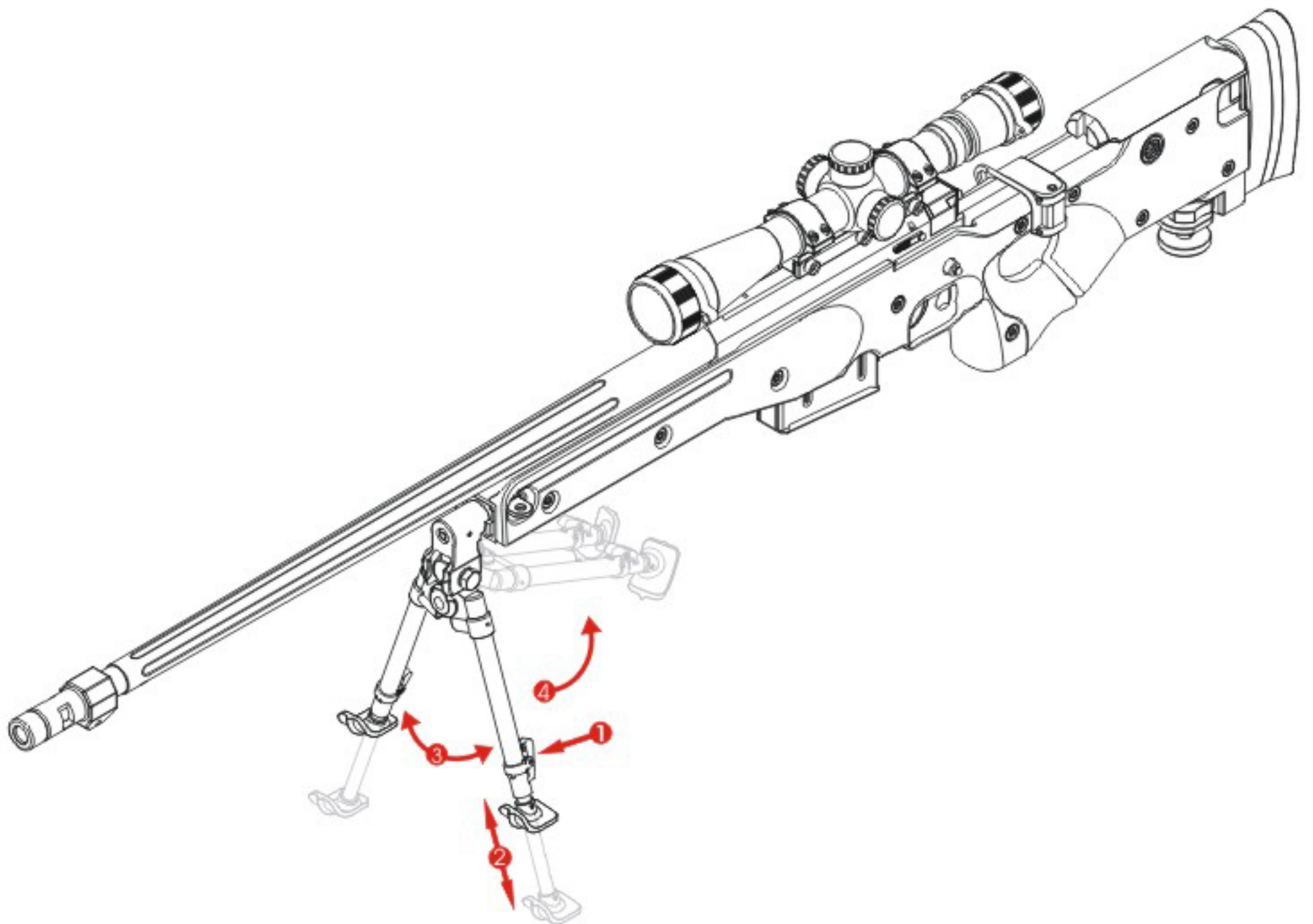
# SAFETY MODE



# HOP-UP ADJUSTMENT

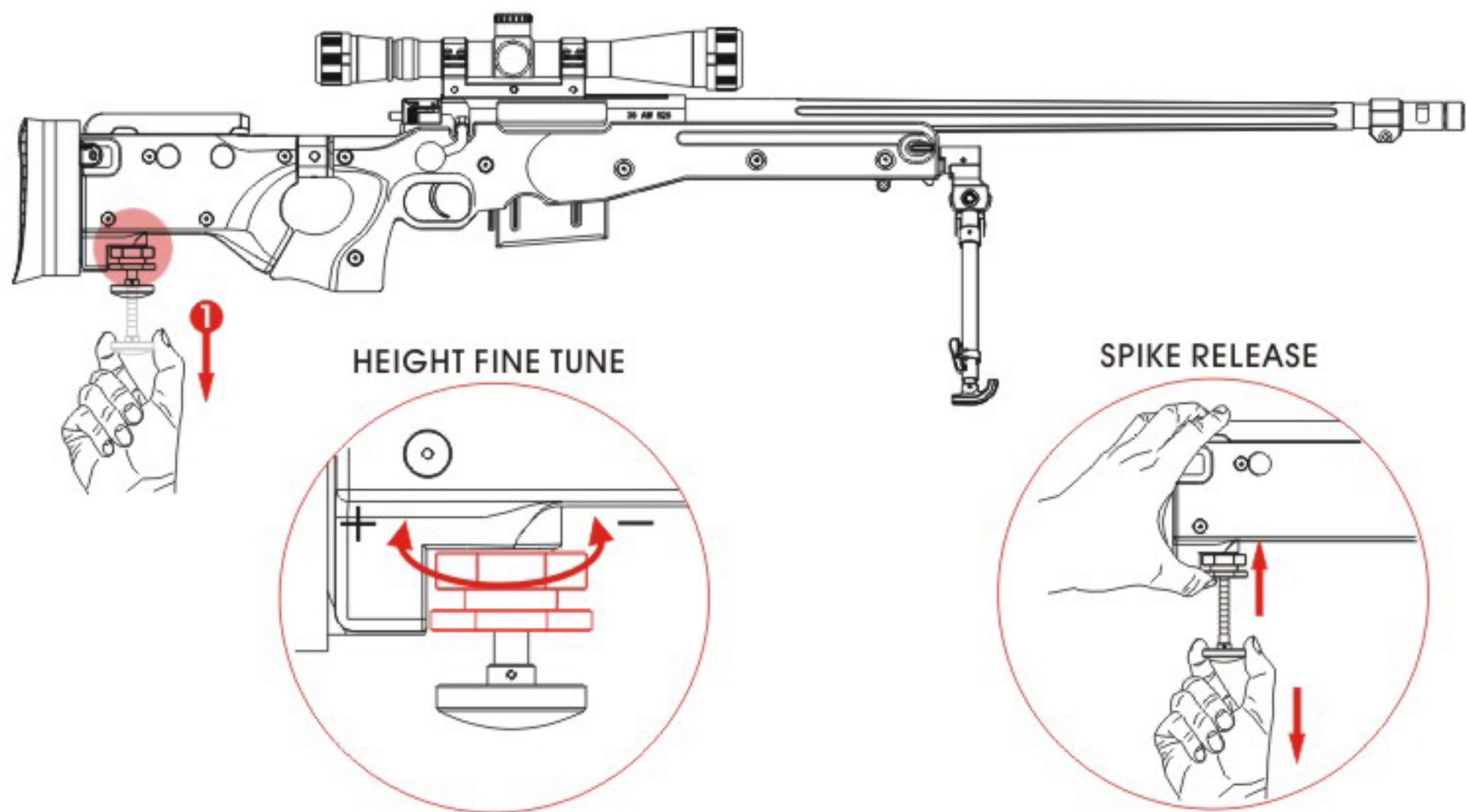


# UNDERPROP ADJUSTMENT

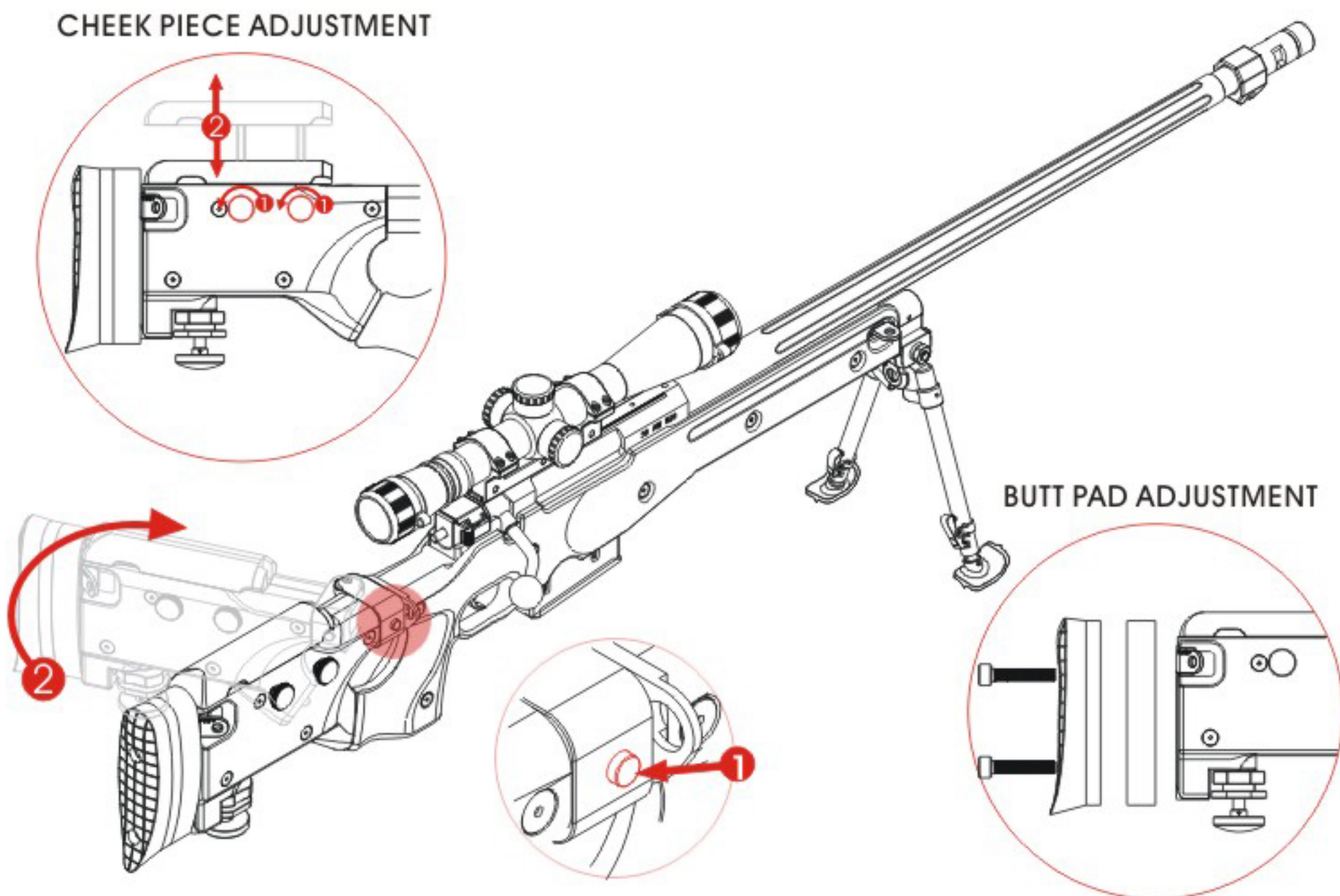




# BUTT SPIKE ADJUSTMENT

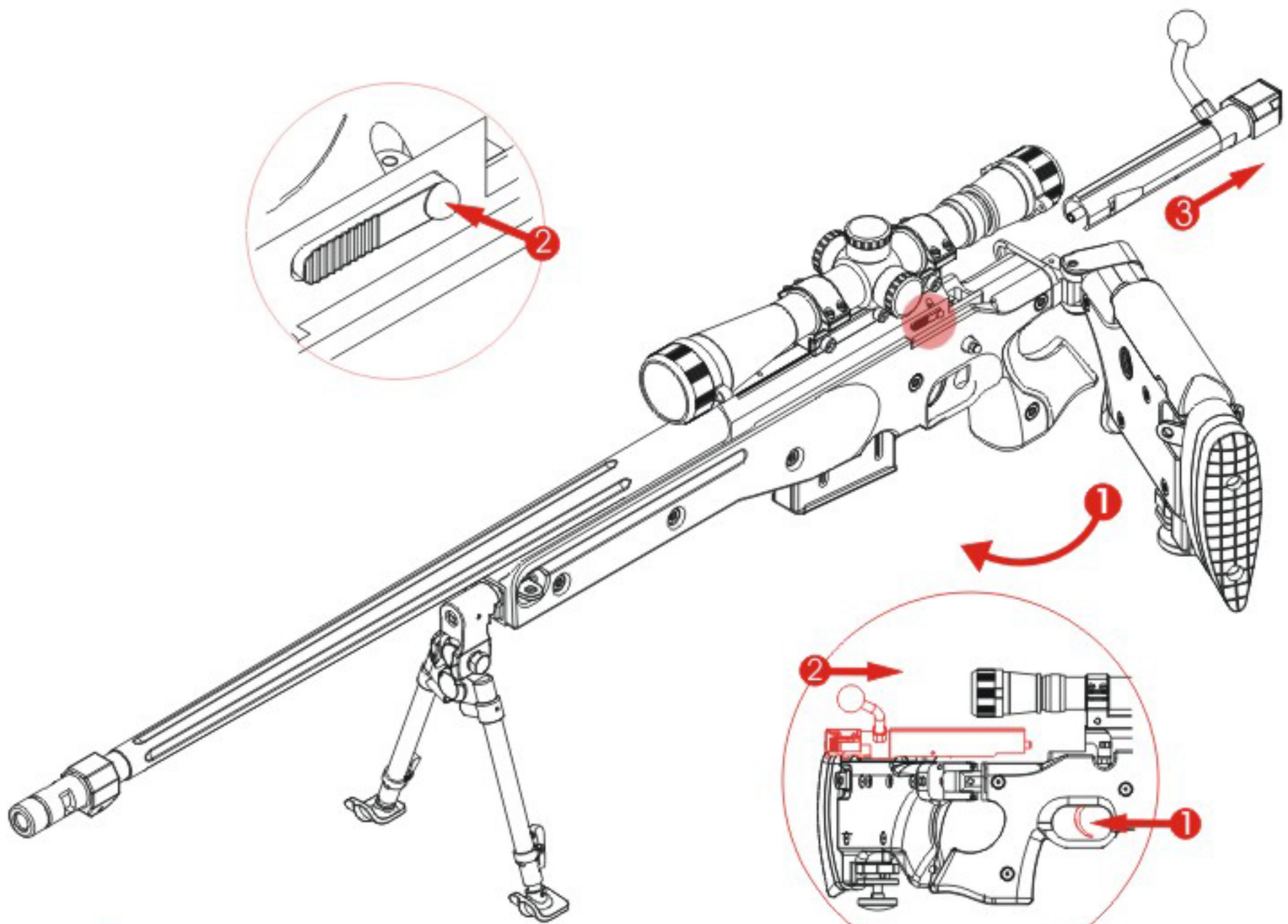


# FOLDING STOCK ADJUSTMENT

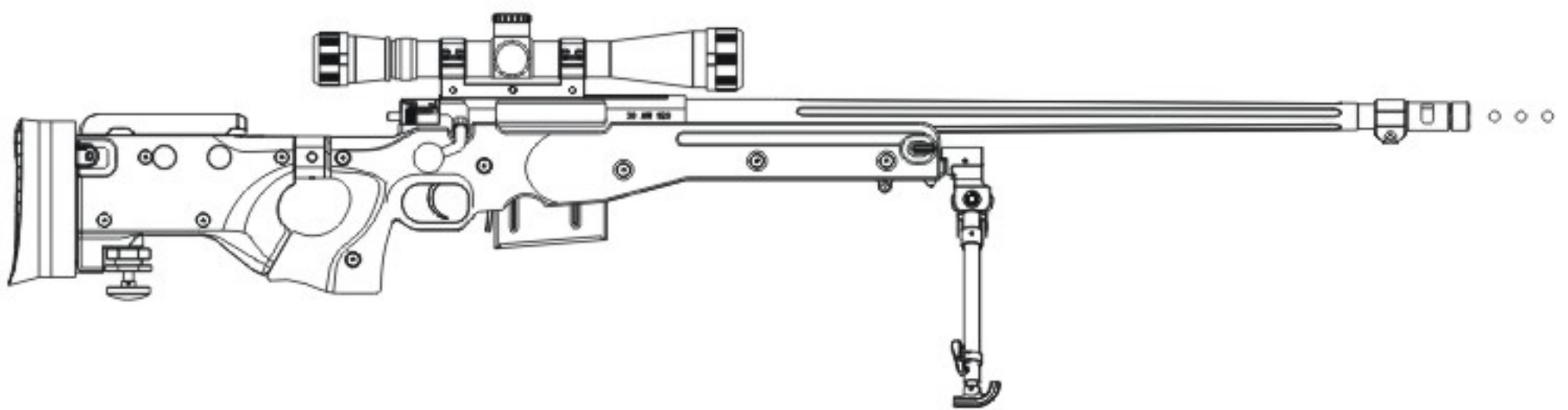




# BOLT DISASSEMBLE



## WARNING



- .Do not aim or shoot a person or animal as the target.
- .Avoid pulling the trigger carelessly.
- .Always put the gun in a case or bag when you carrying it.
- .Always set the switch lever to the safety position.
- .Do not look into the gun muzzle.
- .Always wear eye protective gear.
- .Store the airsoft gun at the places out of reach by children.
- .Do not disassemble or modify the airsoft gun.

# **DATA OF STAR AW338**

## **MID-RANGE SNIPER RIFLE**

**MATERIAL: NYLON & ALUMINUM ALLOY**

**HOPUP SYSTEM: MATCH GRADE ADJUSTABLE**

**LENGTH: 1020 / 1200 / 1220MM**

**WEIGHT: 6400G**

**MAGAZINE CAPACITY: 23 ROUNDS**

**BULLET: 6MM BB BULLETS**

**GAS POWER: HFC134A ONLY**

UNIVERSO SNIPER  
AIRSOFT



**STAR**  
AIRSOFT ACCESSORIES  
[www.starairsoft.com](http://www.starairsoft.com)