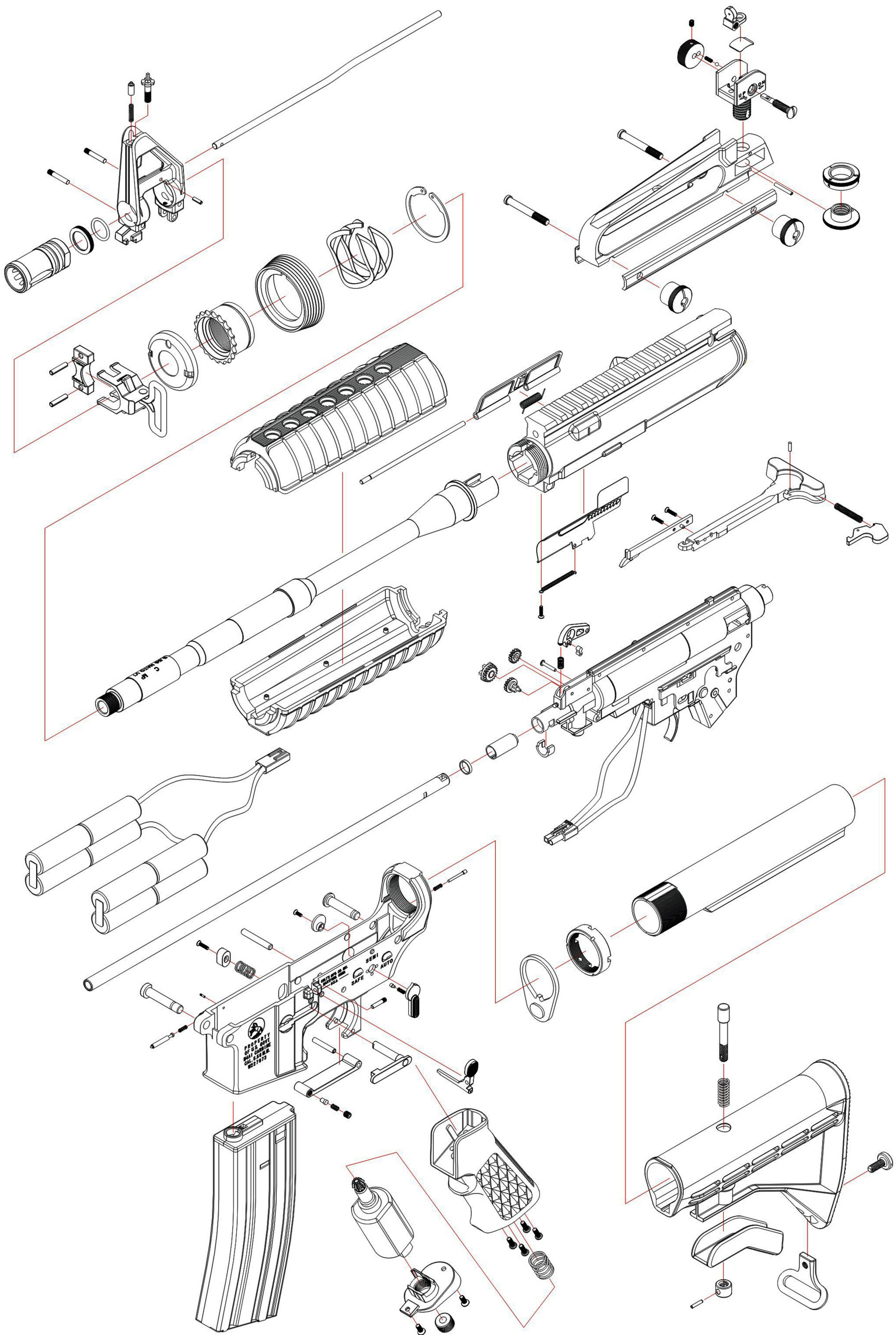
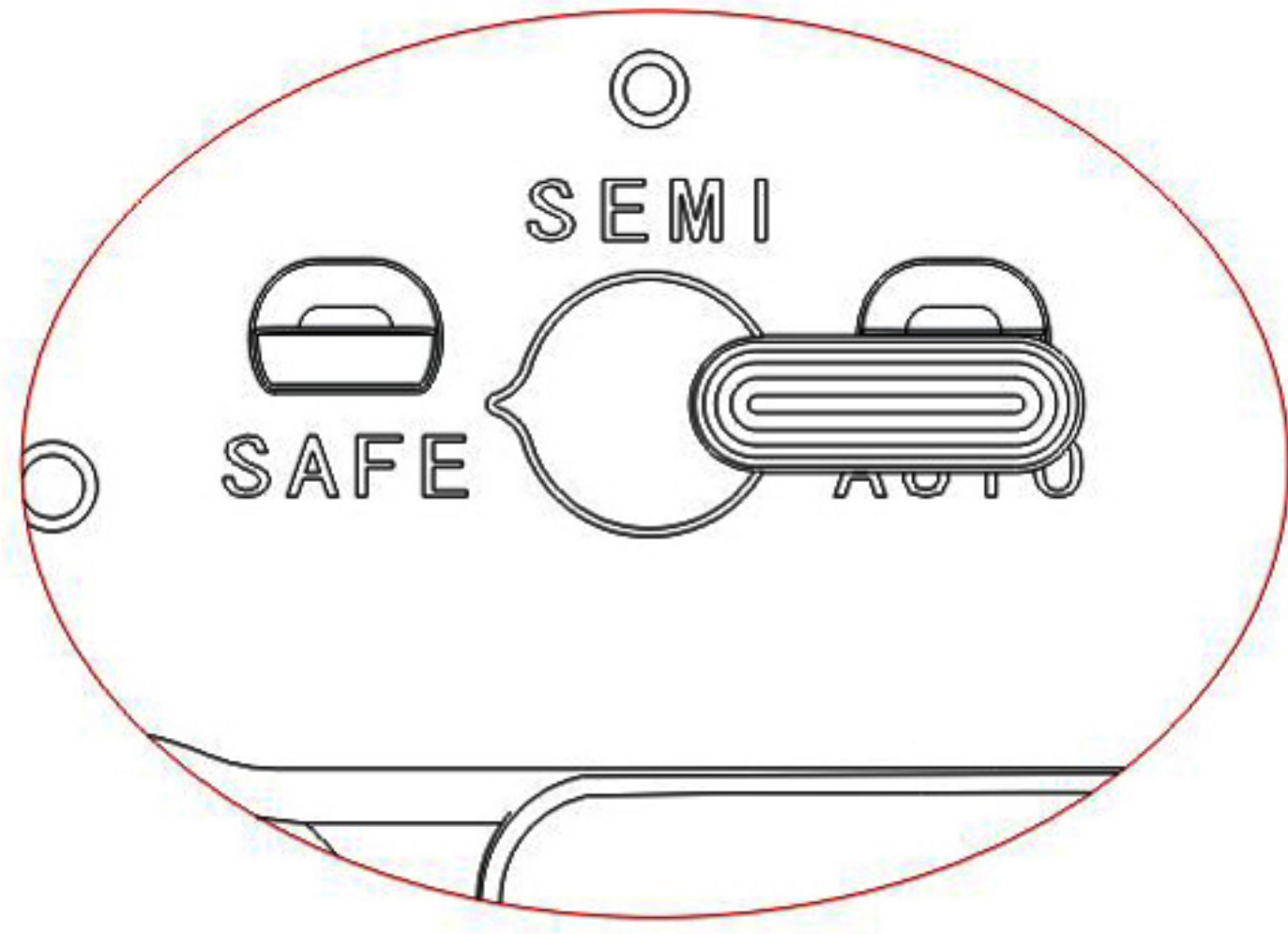


COLT M4A1 CARBINE EXPOSE PLAN

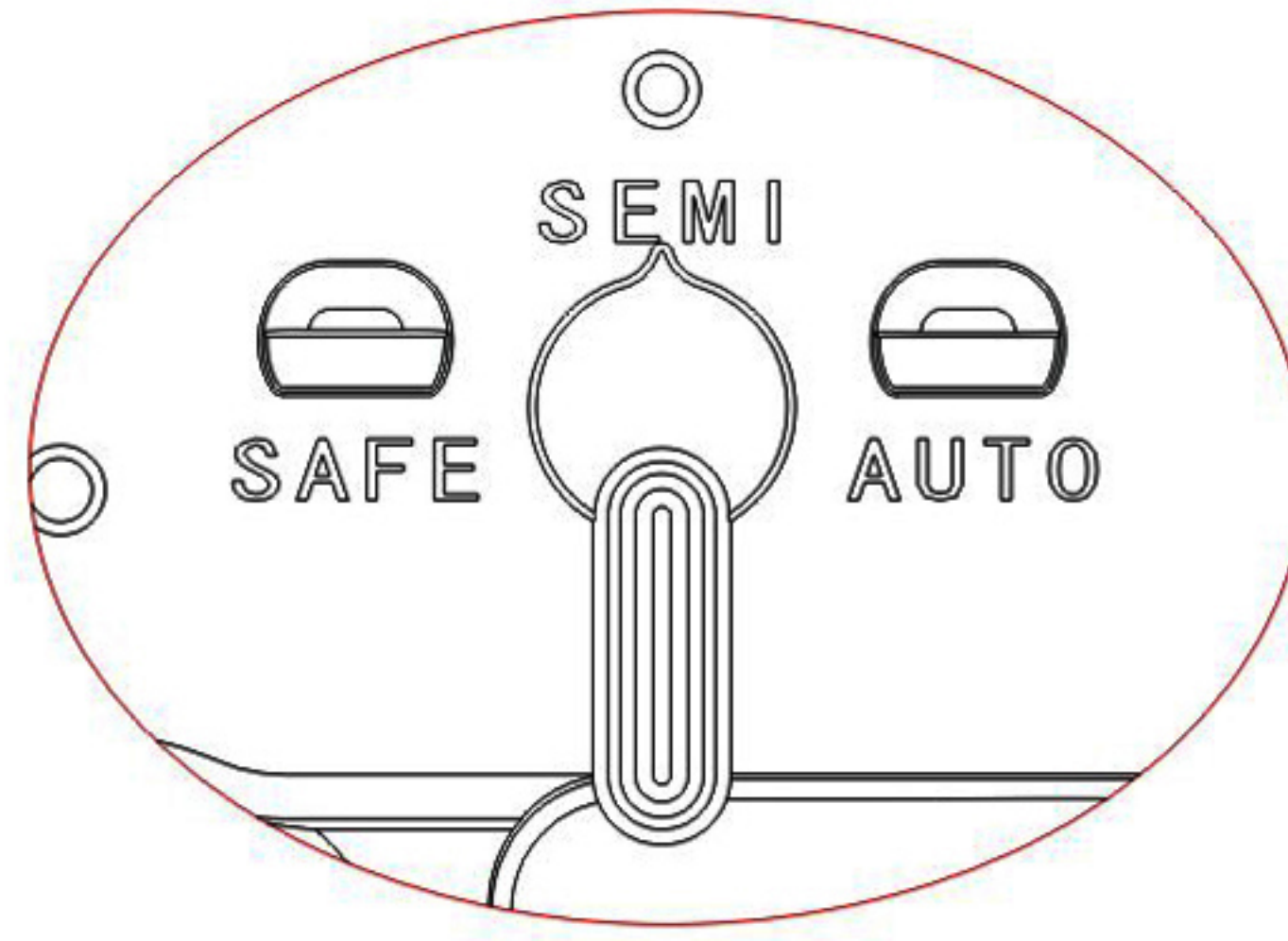


FIRING MODE

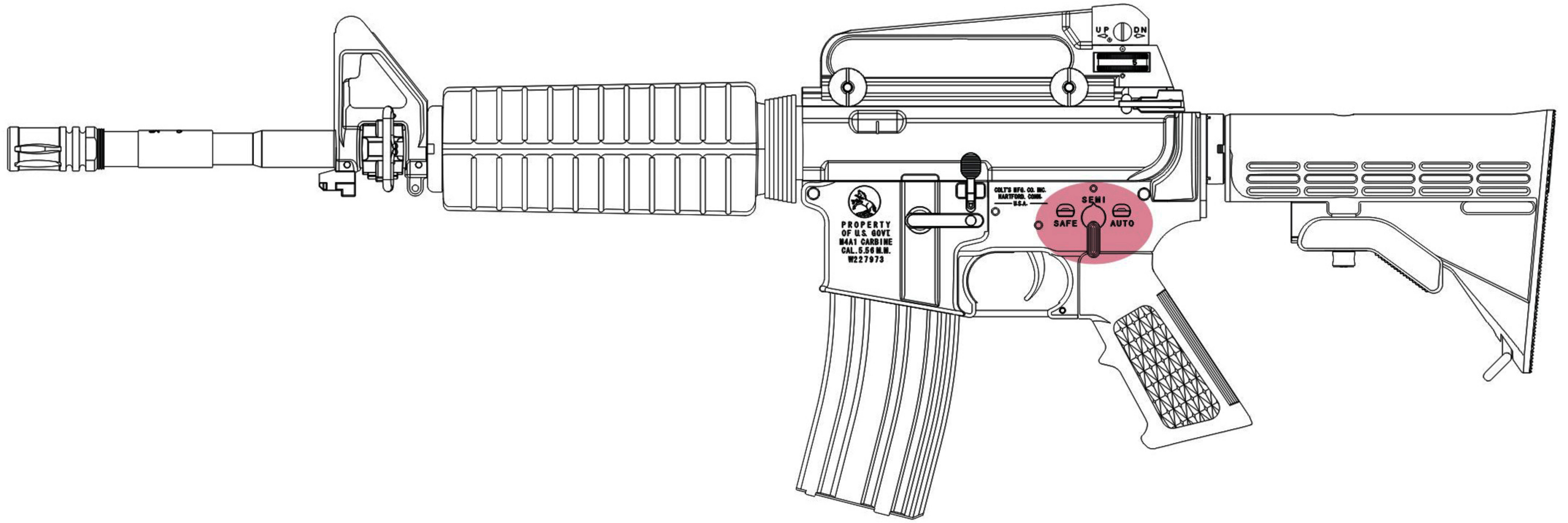
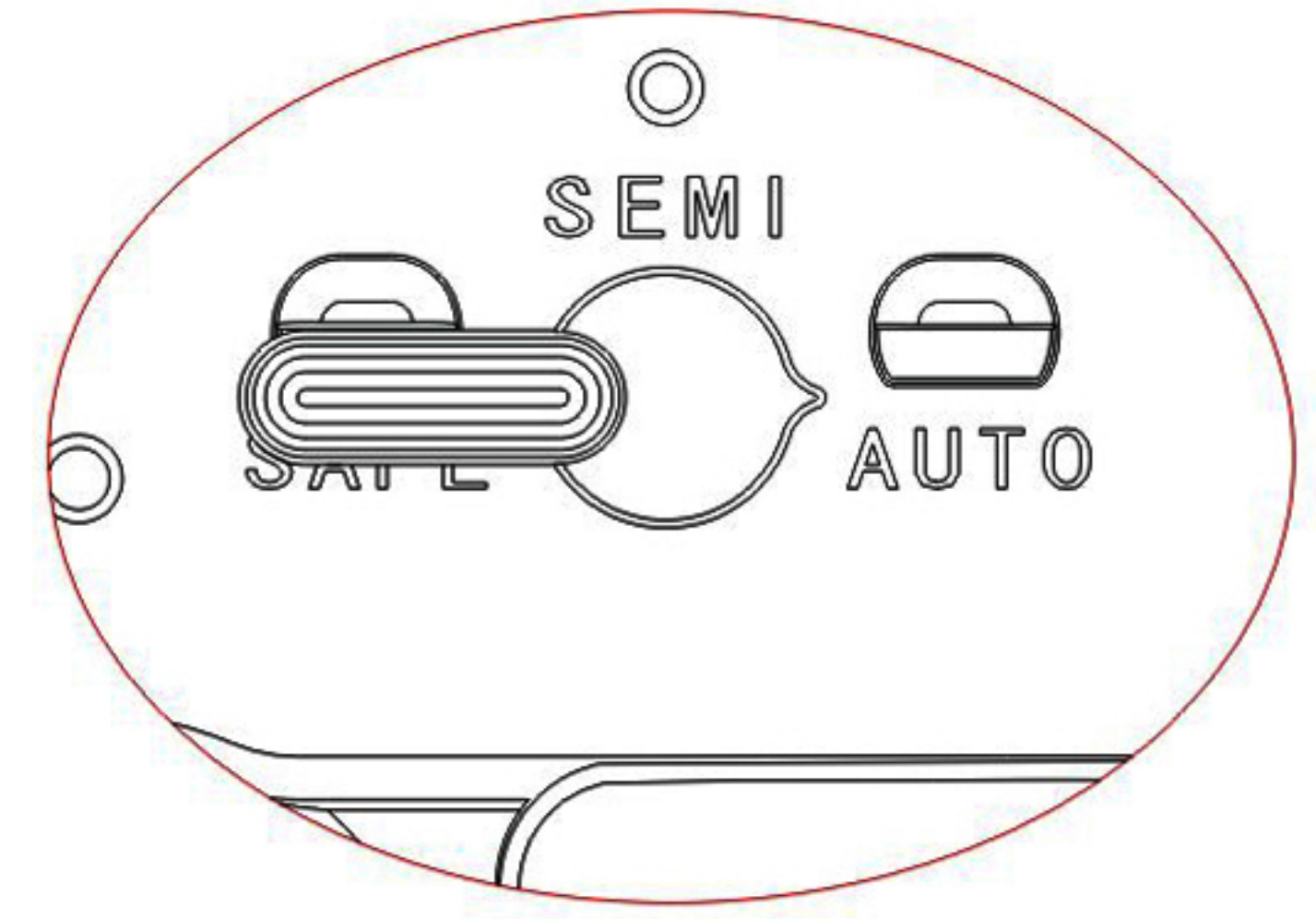
SAFETY



SINGLE

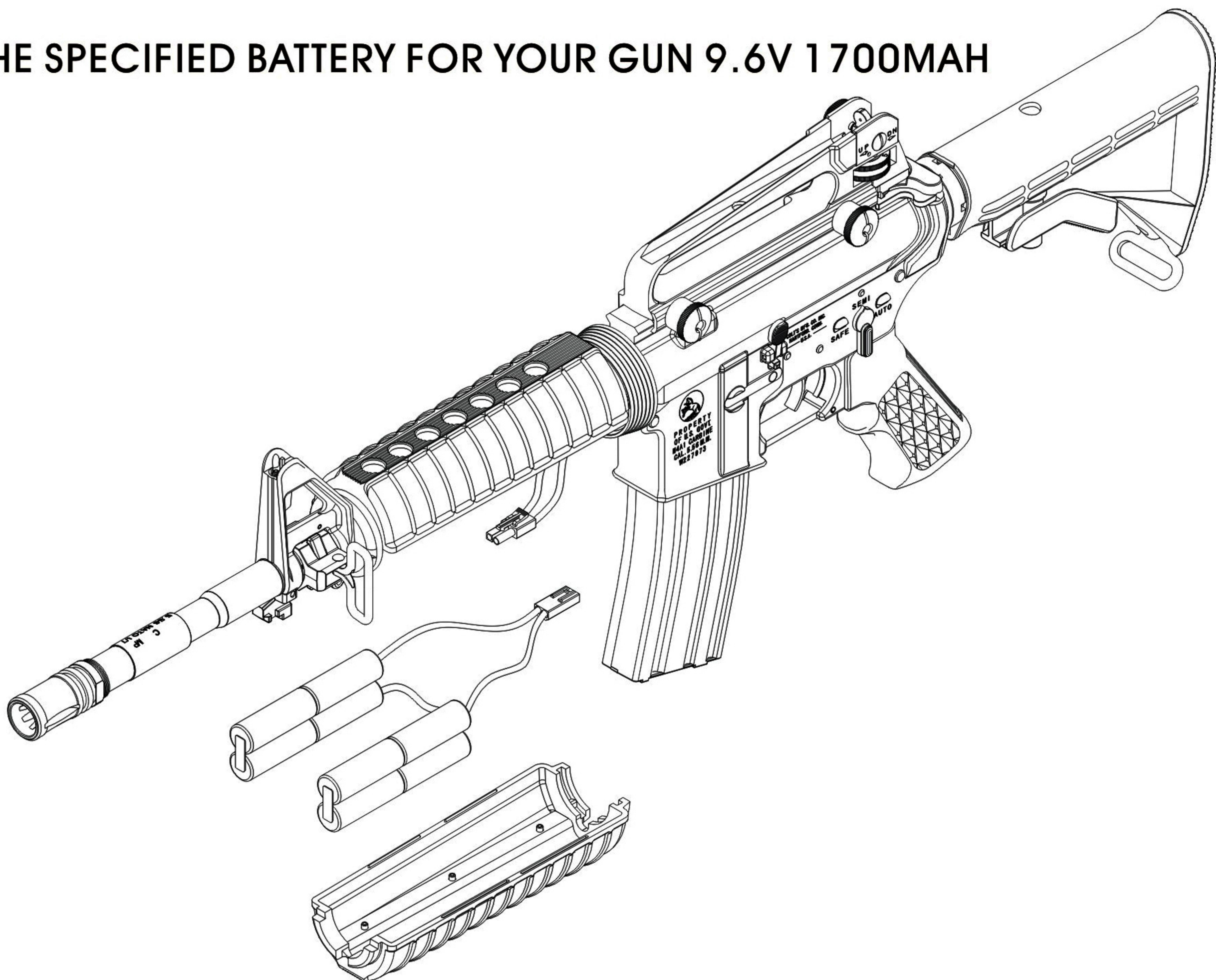


AUTO

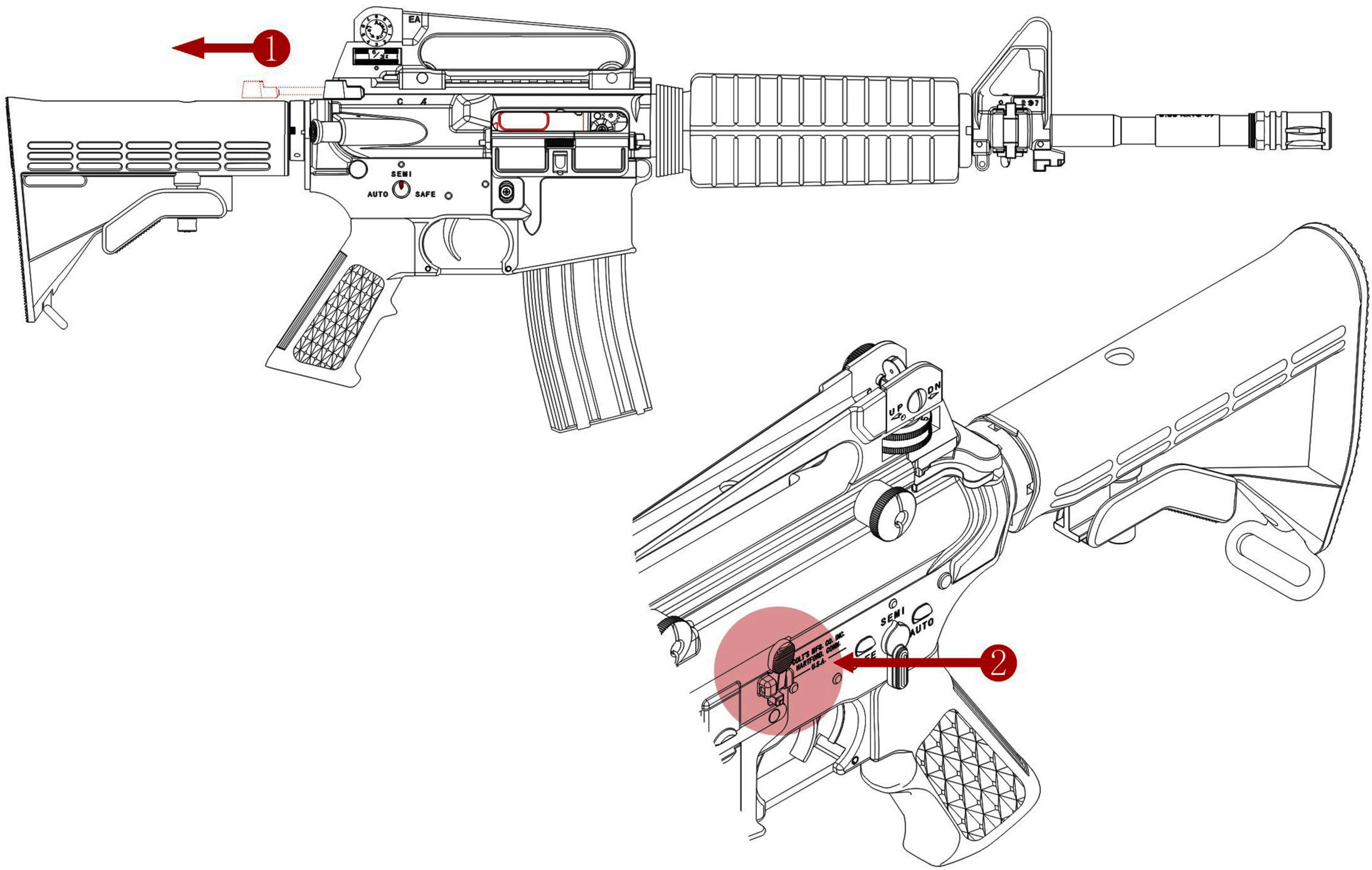


BATTERY INSTALLATION

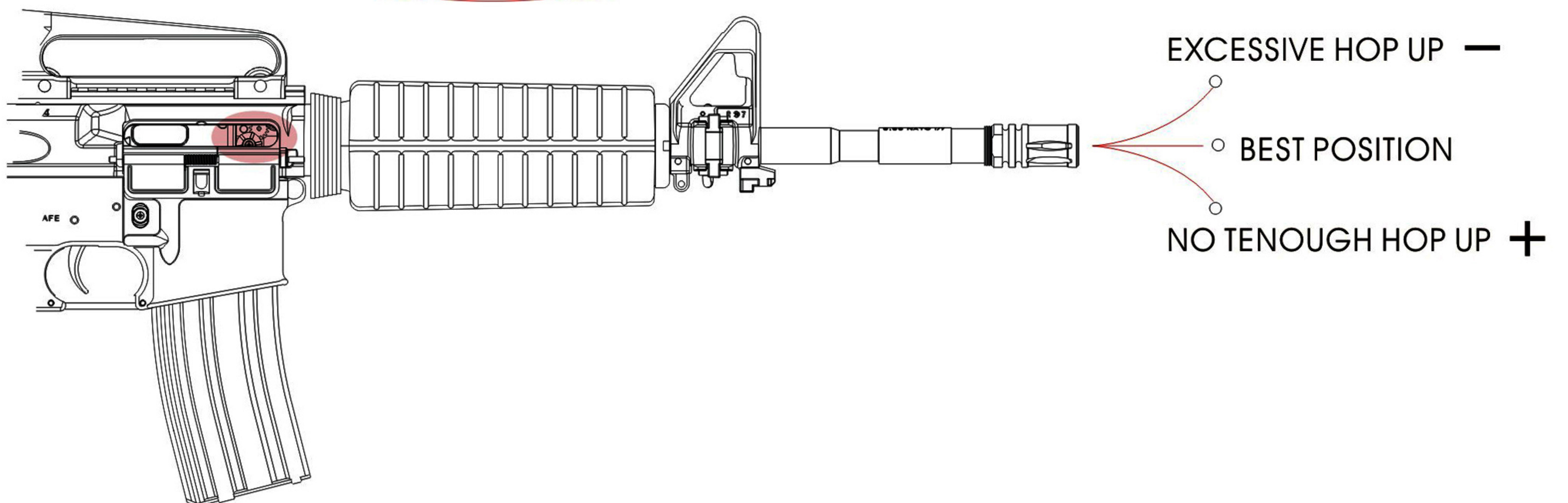
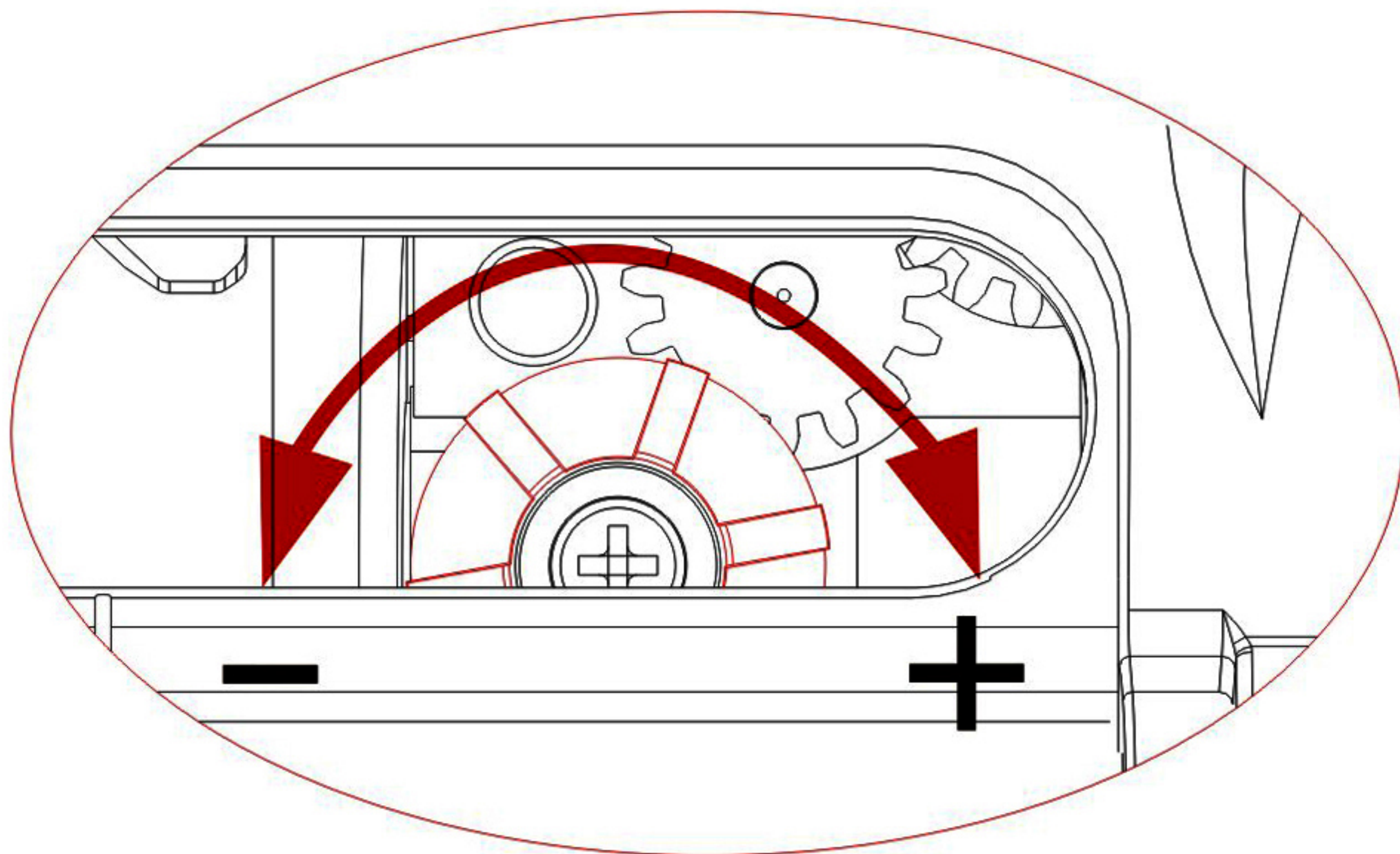
USE THE SPECIFIED BATTERY FOR YOUR GUN 9.6V 1700MAH



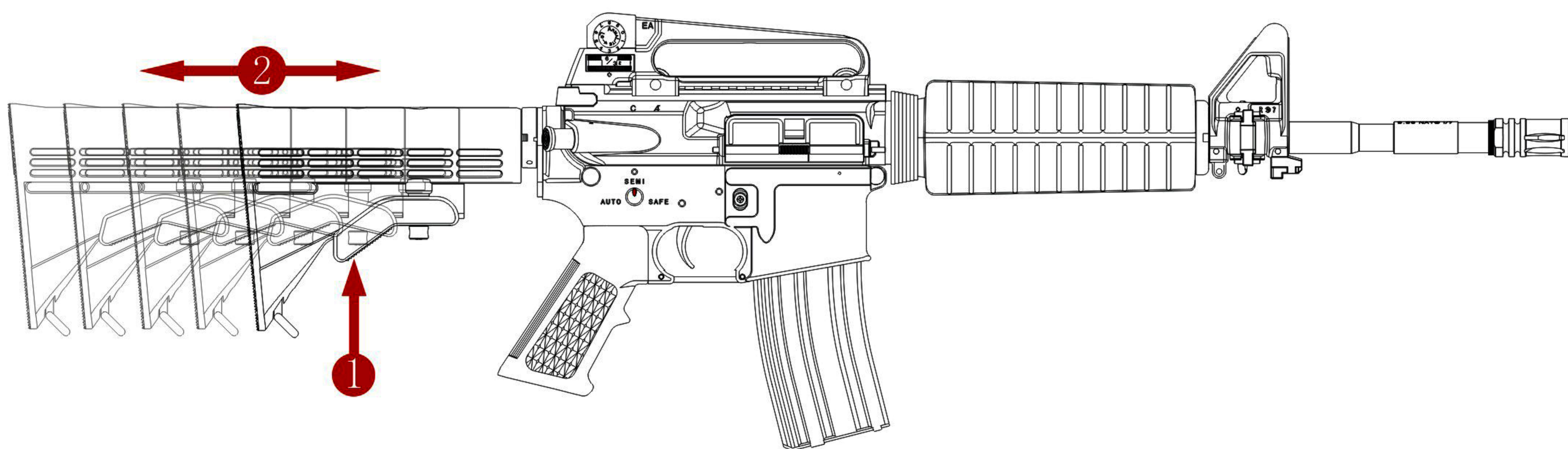
BOLT LOCK & RELEASE



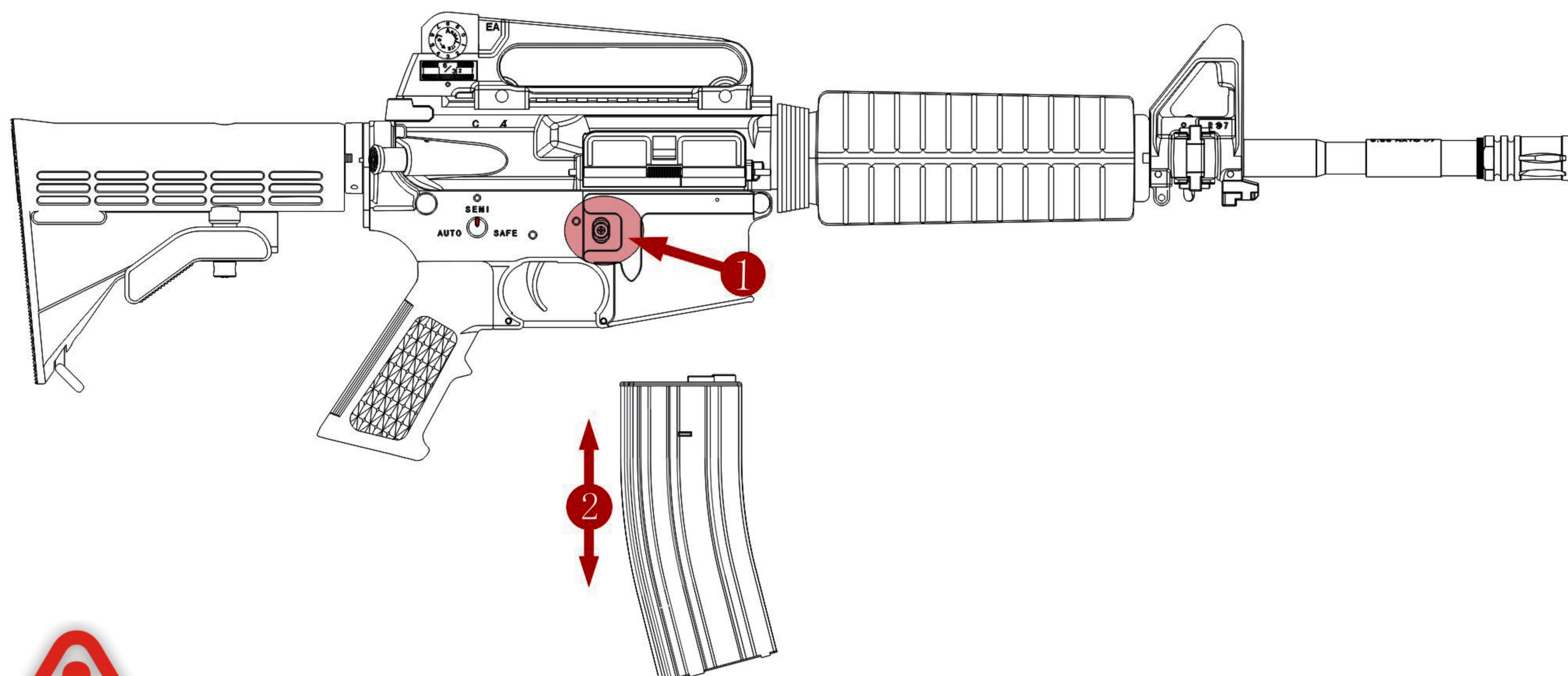
HOP-UP ADJUSTMENT



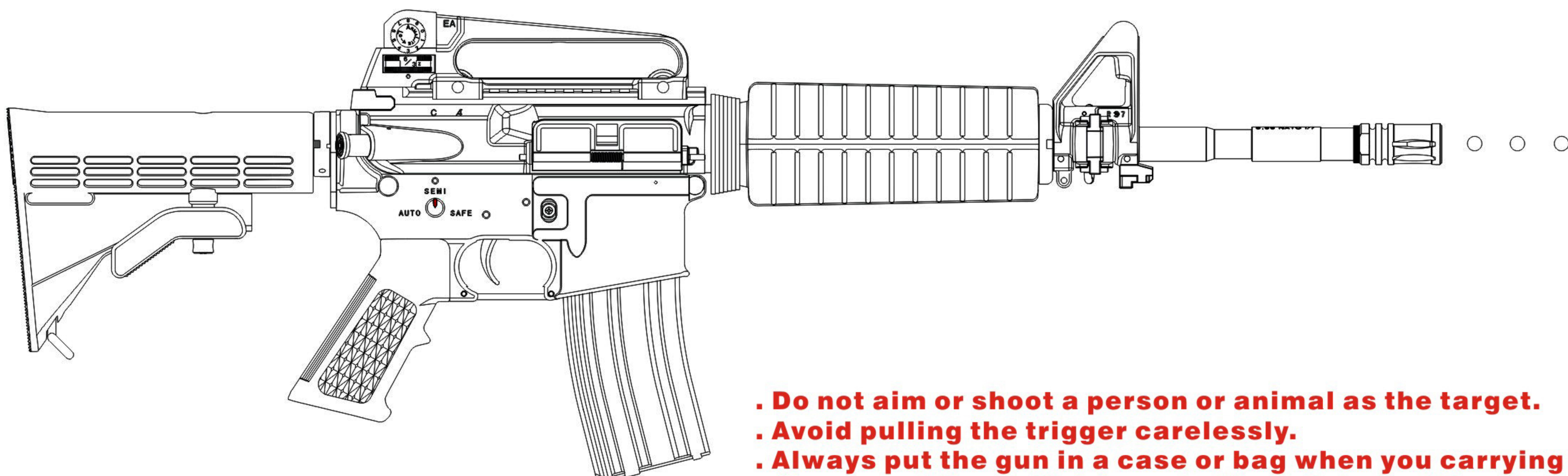
STOCK ADJUSTMENT



SETTING THE MAGAZINE



WARNING



- . Do not aim or shoot a person or animal as the target.
- . Avoid pulling the trigger carelessly.
- . Always put the gun in a case or bag when you carrying it.
- . Always set the switch lever to the safety position.
- . Do not look into the gun muzzle.
- . Always wear eye protective gear.
- . Store the airsoft gun at the places out of reach by children.
- . Do not disassemble or modify the airsoft gun.

DATA OF COLT M4A1 ELECTRIC GUN

MATERIAL: ALUMINUM & NYLON FIBER

HOPUP SYSTEM: ADJUSTABLE

LENGTH: 780-865MM

WEIGHT: 2780G (WITH MAGAZINE)

MAGAZINE CAPACITY: 140 ROUNDS

BULLET: 6MM BB BULLETS

BATTERY: 9.6V 1700MAH

MOTOR: HIGH TORQUE FLAT MOTOR