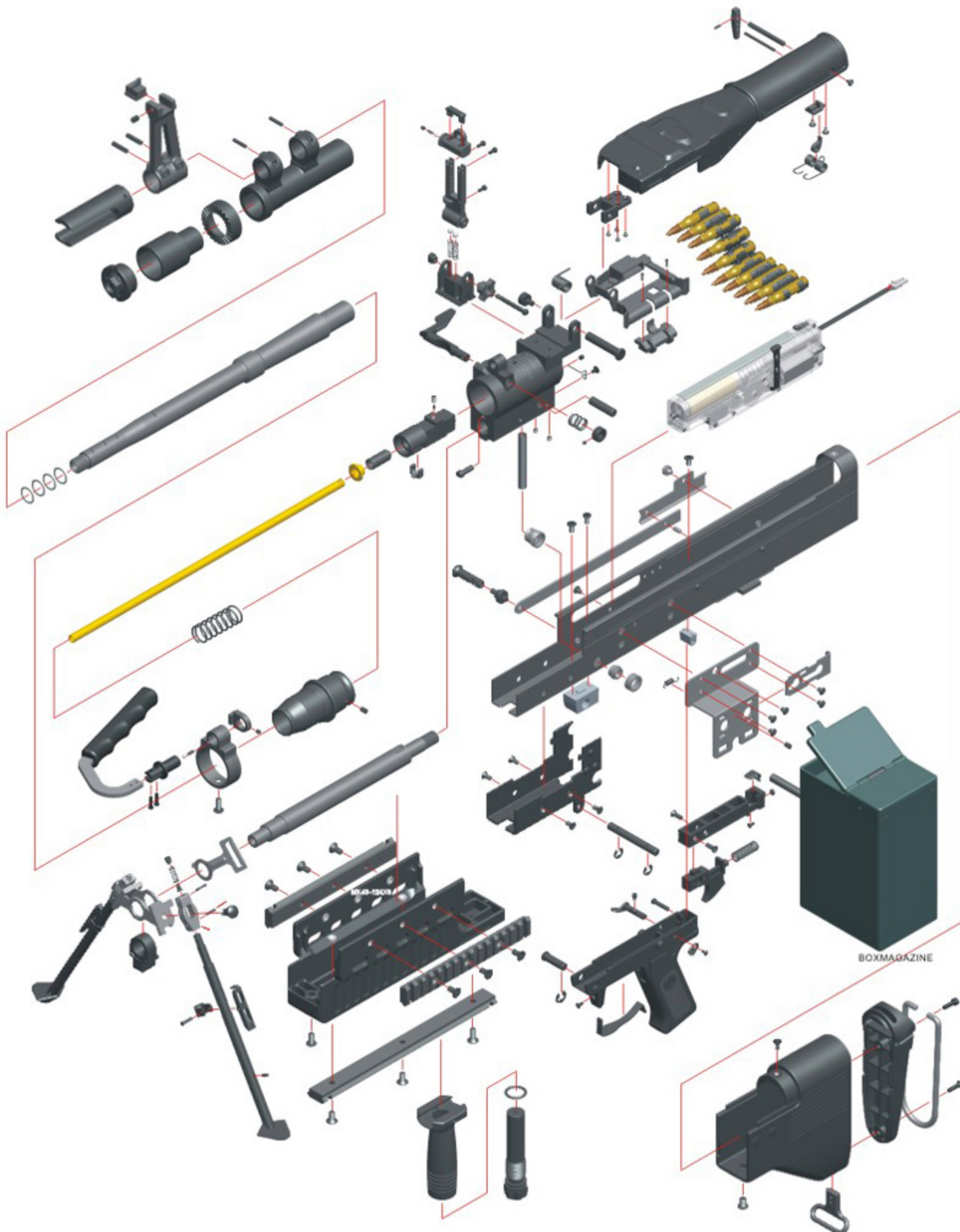
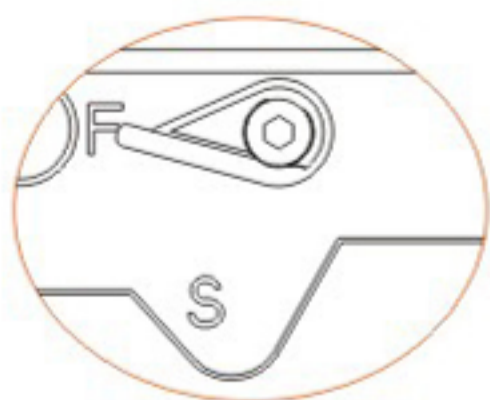


# MK-43 EXPOSE PLAN



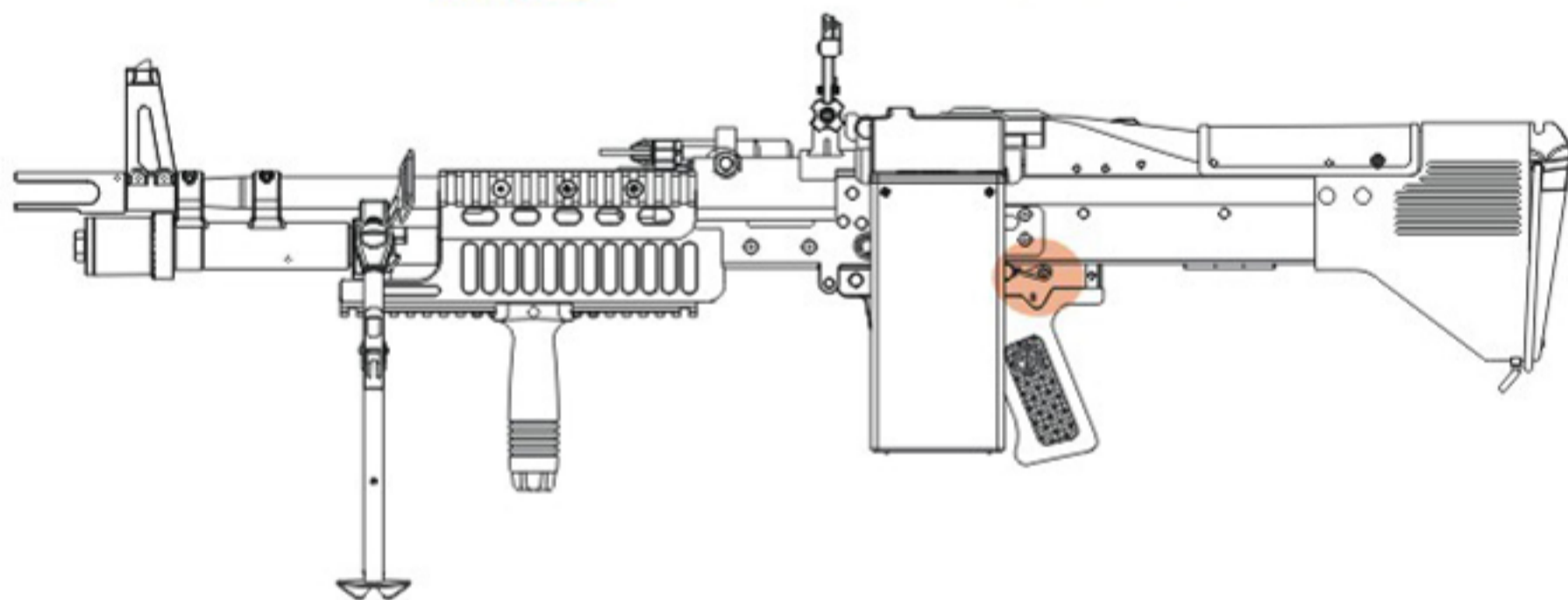
# SAFETY MODE



**FIRE**

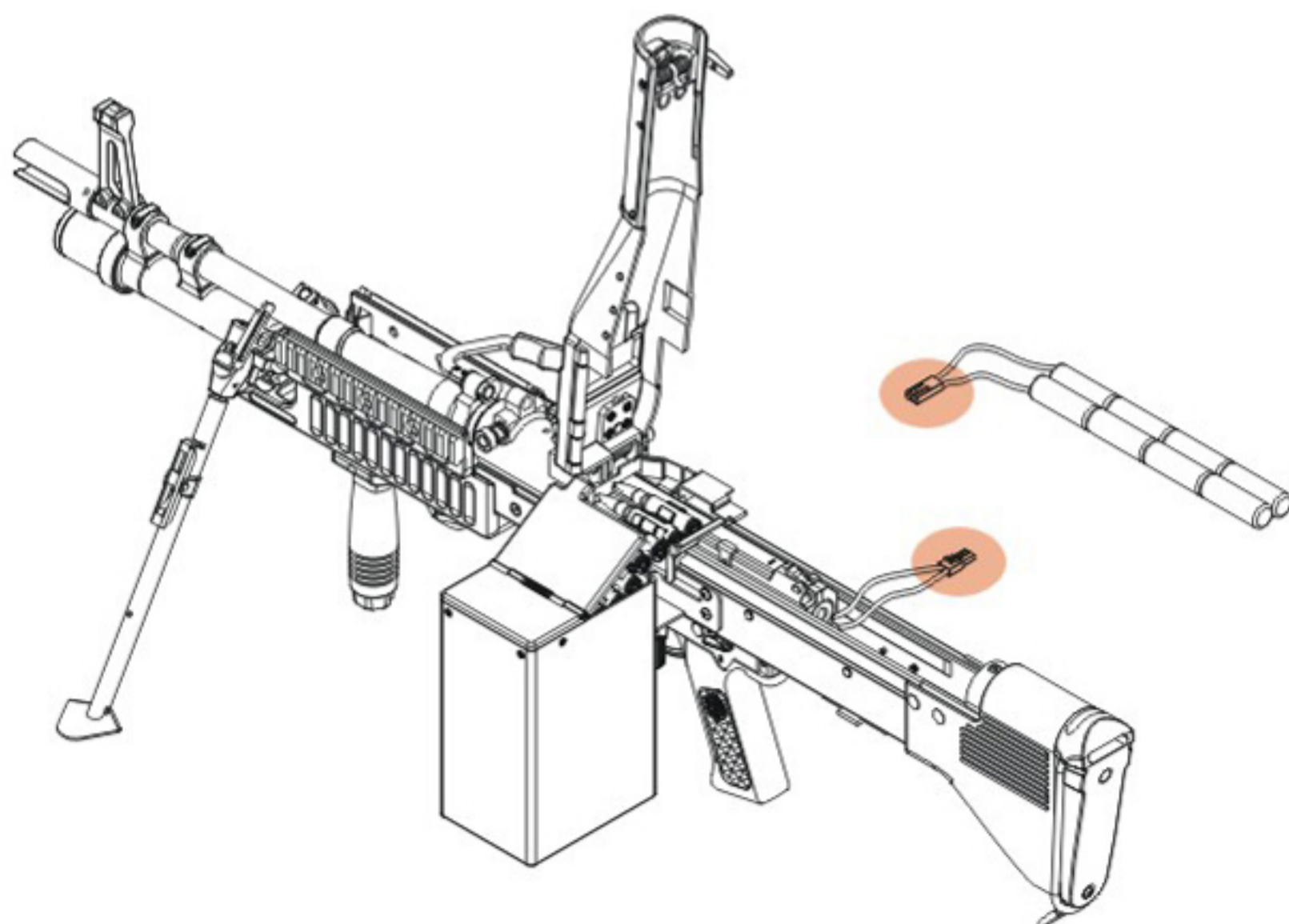


**SAFTY**

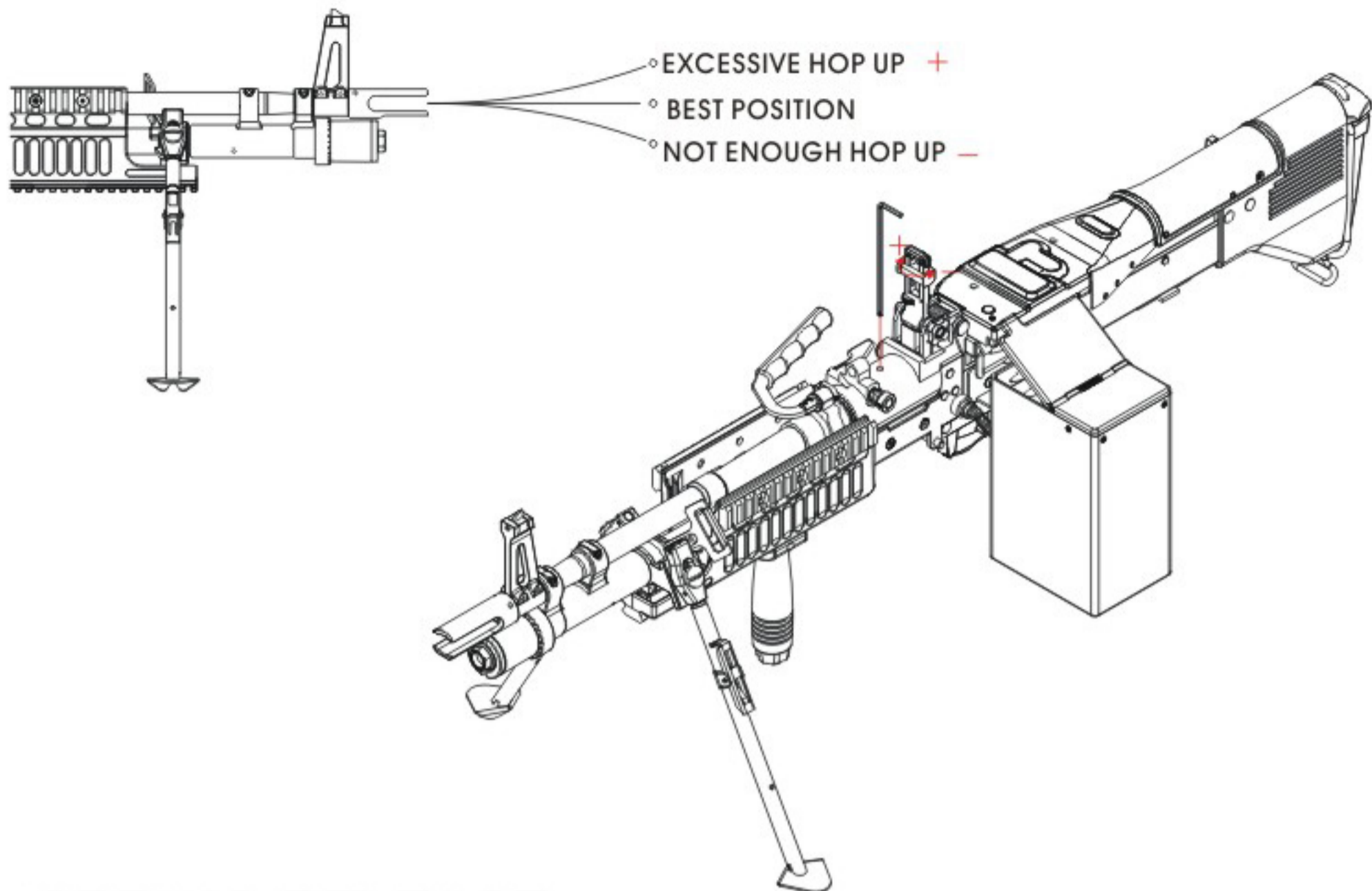


# BATTERY INSTALLATION

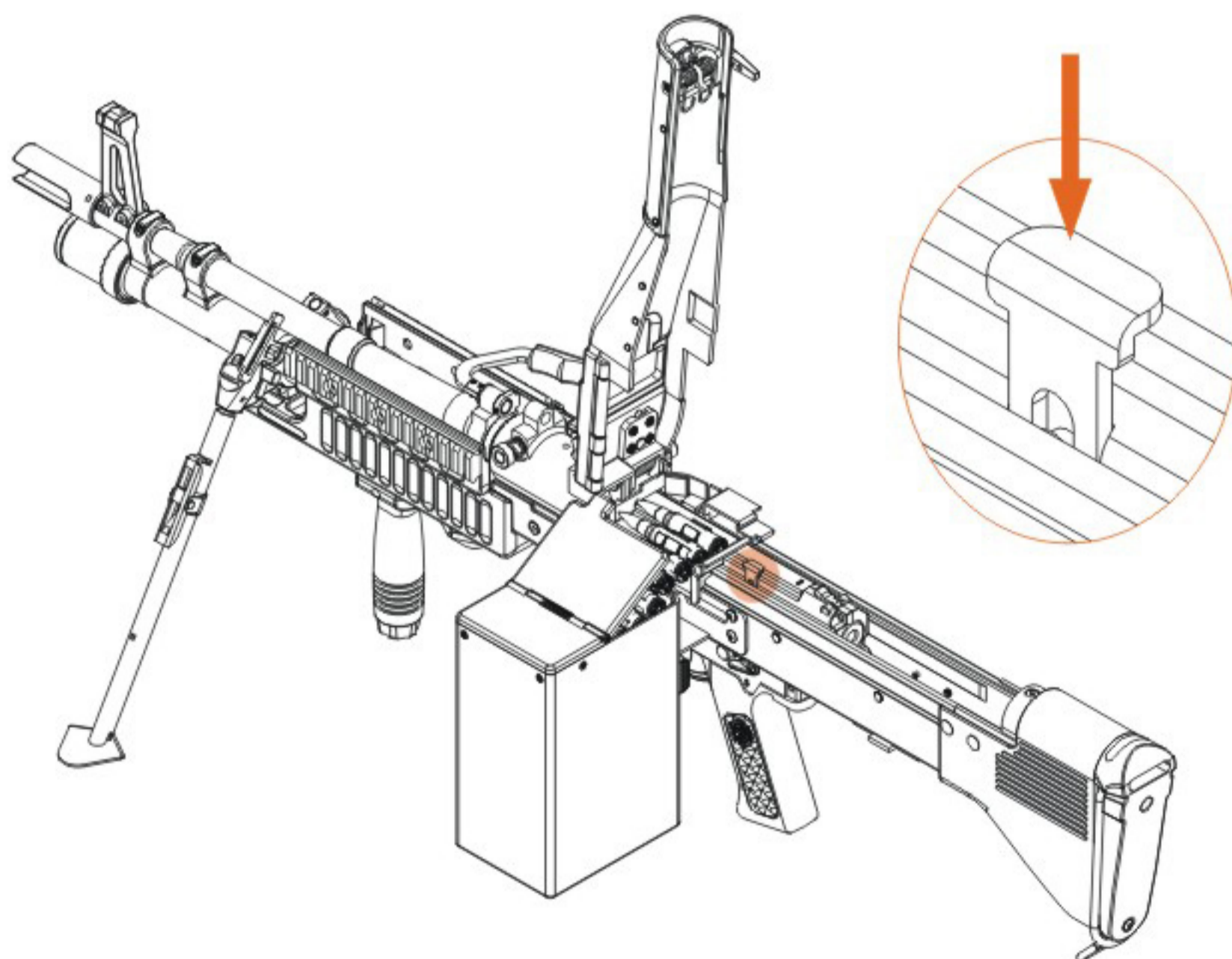
USE THE SPECIFIED BATTERY FOR YOUR GUN 9.6V 3300MAH



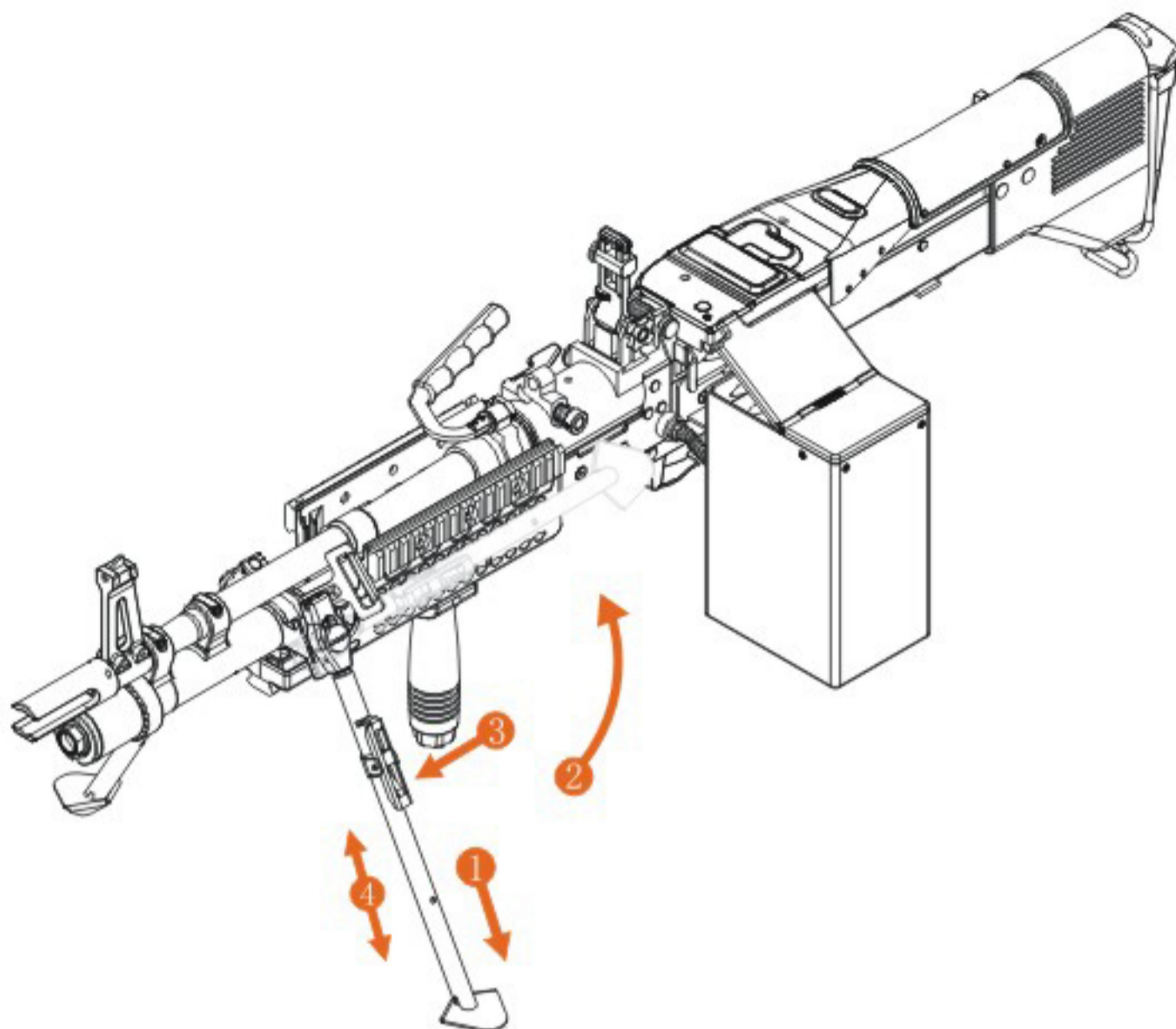
# HOP-UP ADJUSTMENT



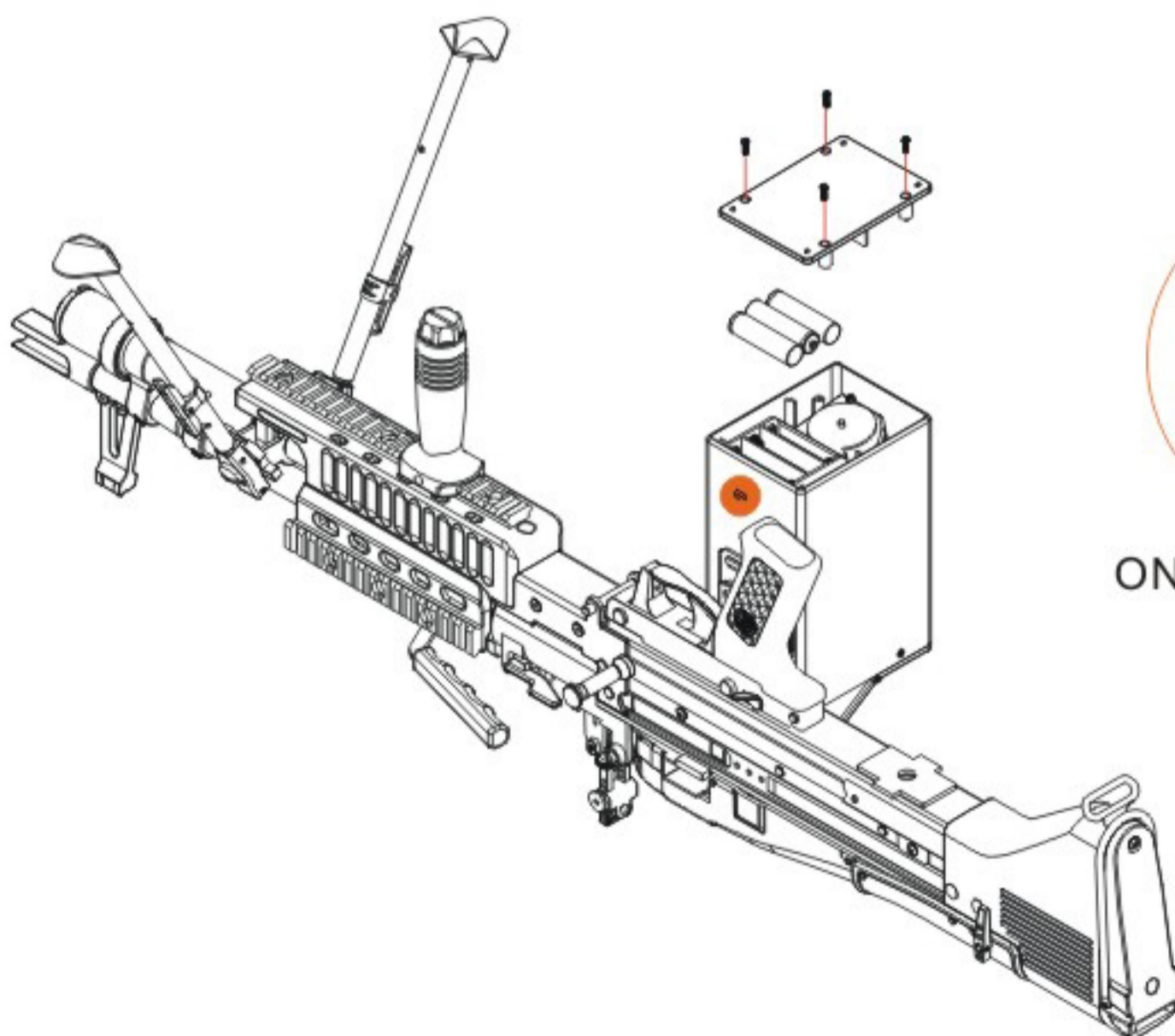
# SPRING RELEASE



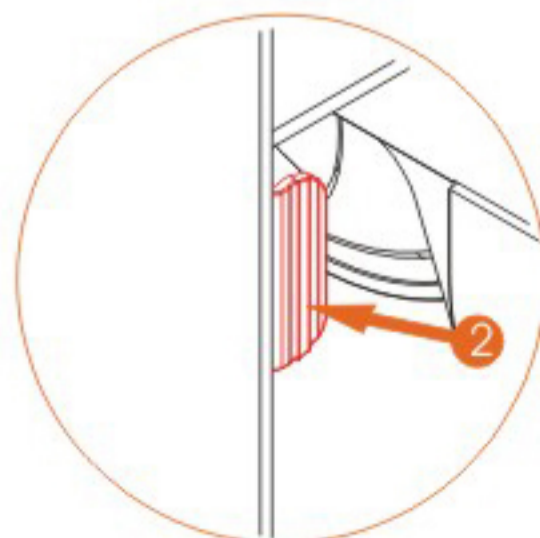
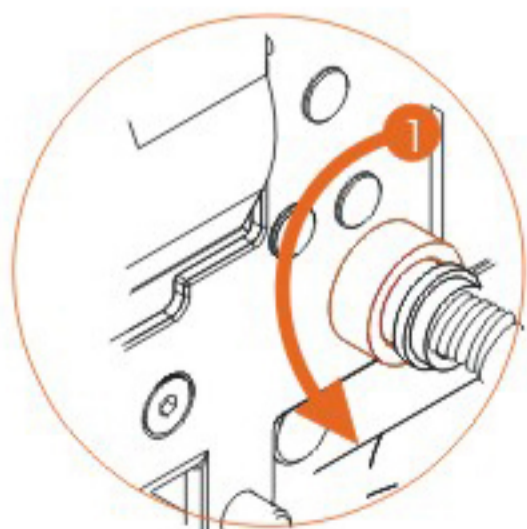
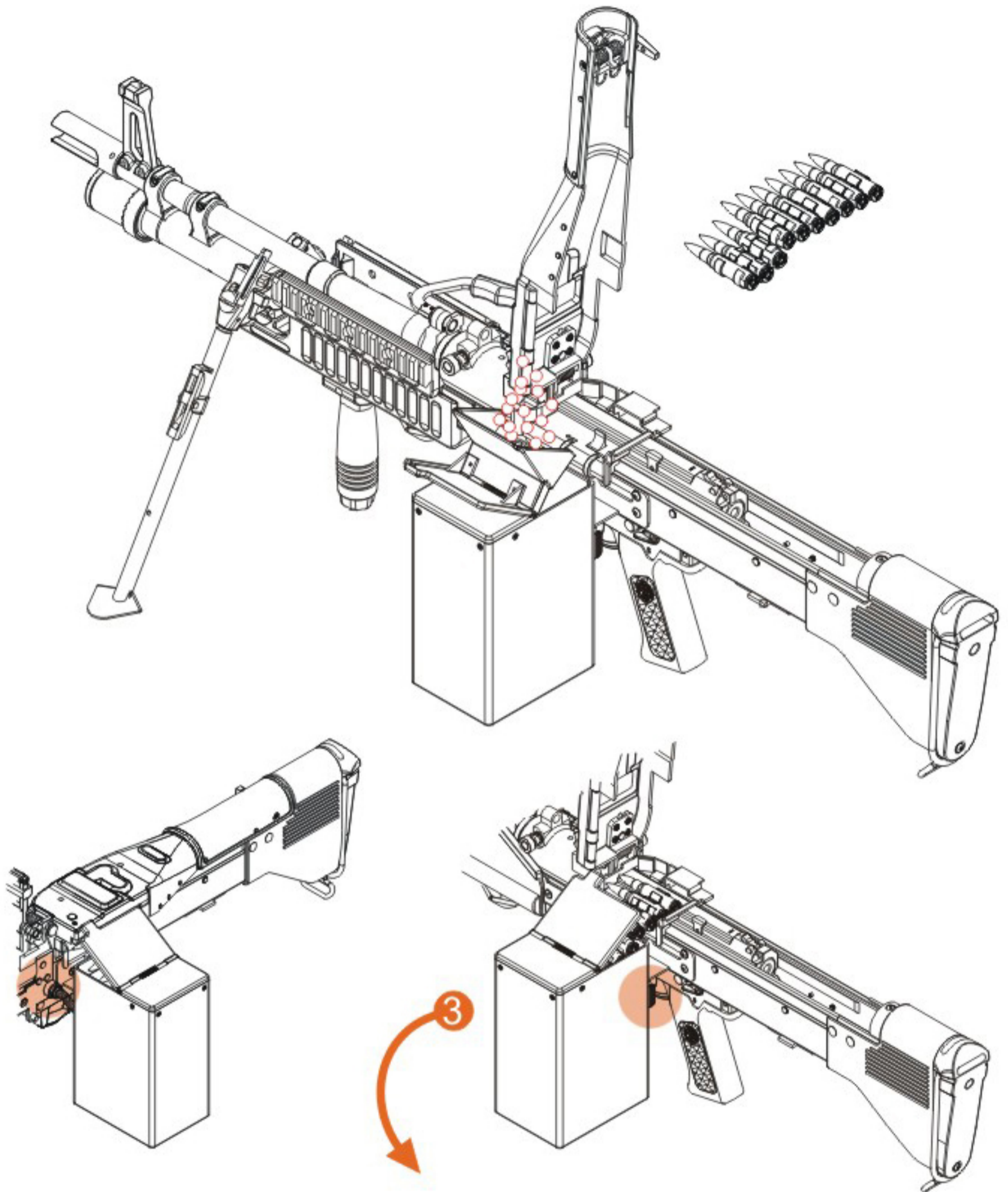
# UNDERPROP ADJUSTMENT



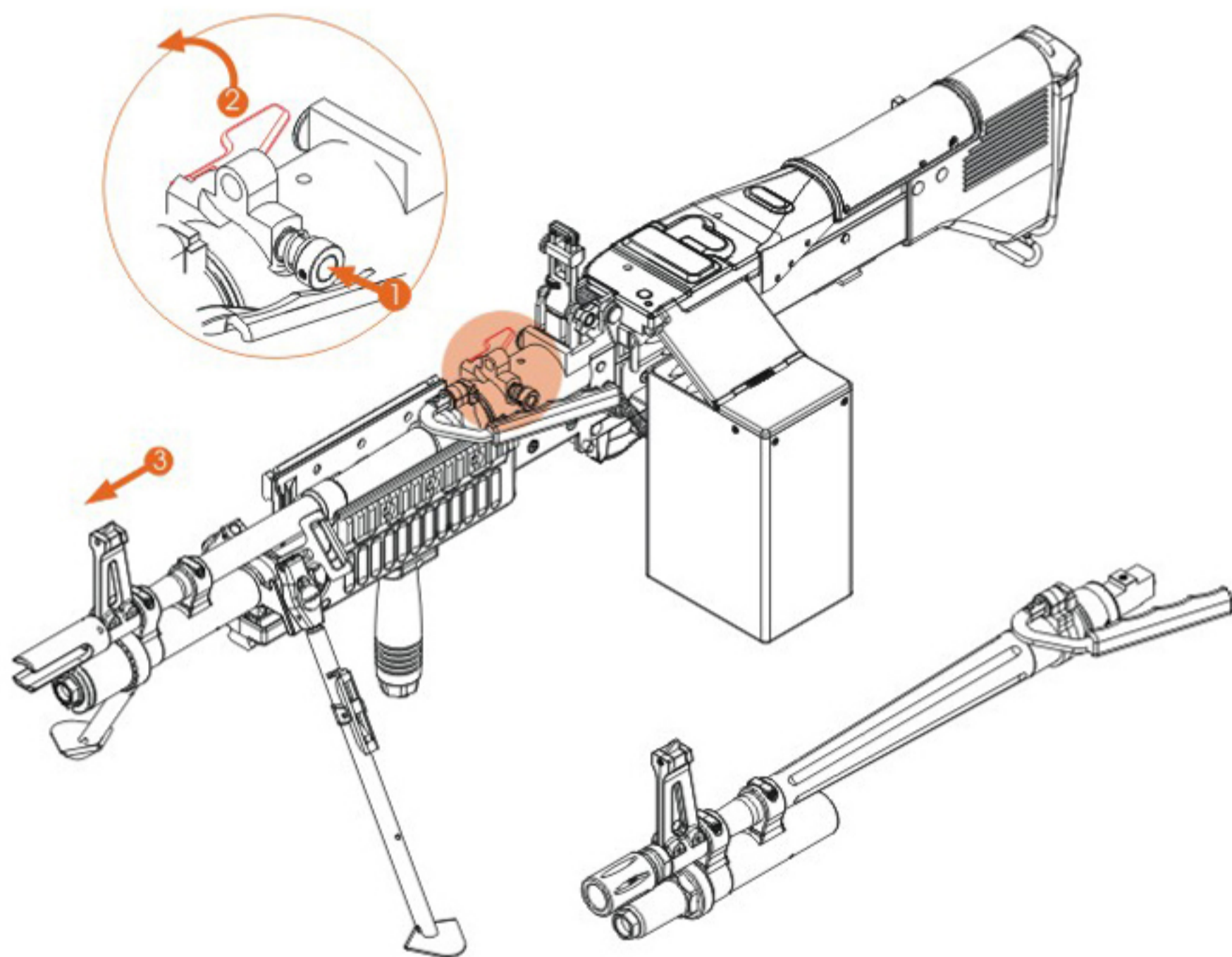
# BOX MAGAZINE BATTERIES INSTALLATION



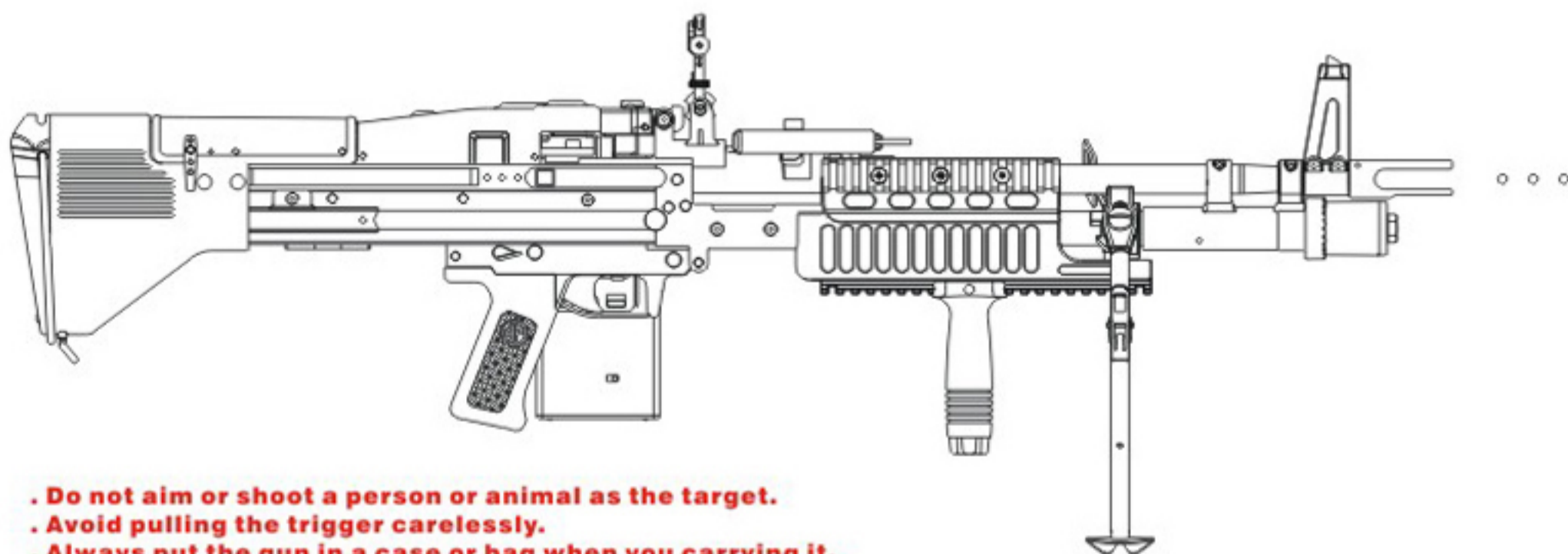
# BOX MAGAZINE LOADING & RELEASE



# BARREL REPLACEMENT



## WARNING



- . Do not aim or shoot a person or animal as the target.
- . Avoid pulling the trigger carelessly.
- . Always put the gun in a case or bag when you carrying it.
- . Always set the switch lever to the safety position.
- . Do not look into the gun muzzle.
- . Always wear eye protective gear.
- . Store the airsoft gun at the places out of reach by children.
- . Do not disassemble or modify the airsoft gun.

# **DATA OF STAR MK43 ELECTRIC GUN**

**MATERIAL: NYLON FIBER, STEEL &  
ALUMINUM ALLOY**

**HOPUP SYSTEM: ADJUSTABLE**

**LENGTH: 940MM**

**WEIGHT: 4600G**

**MAGAZINE CAPACITY: 4000 ROUNDS**

**BULLET: 6MM BB BULLETS**

**BATTERY: 9.6V 3300mAh**

**MOTOR: HIGH TORQUE FLAT MOTOR**