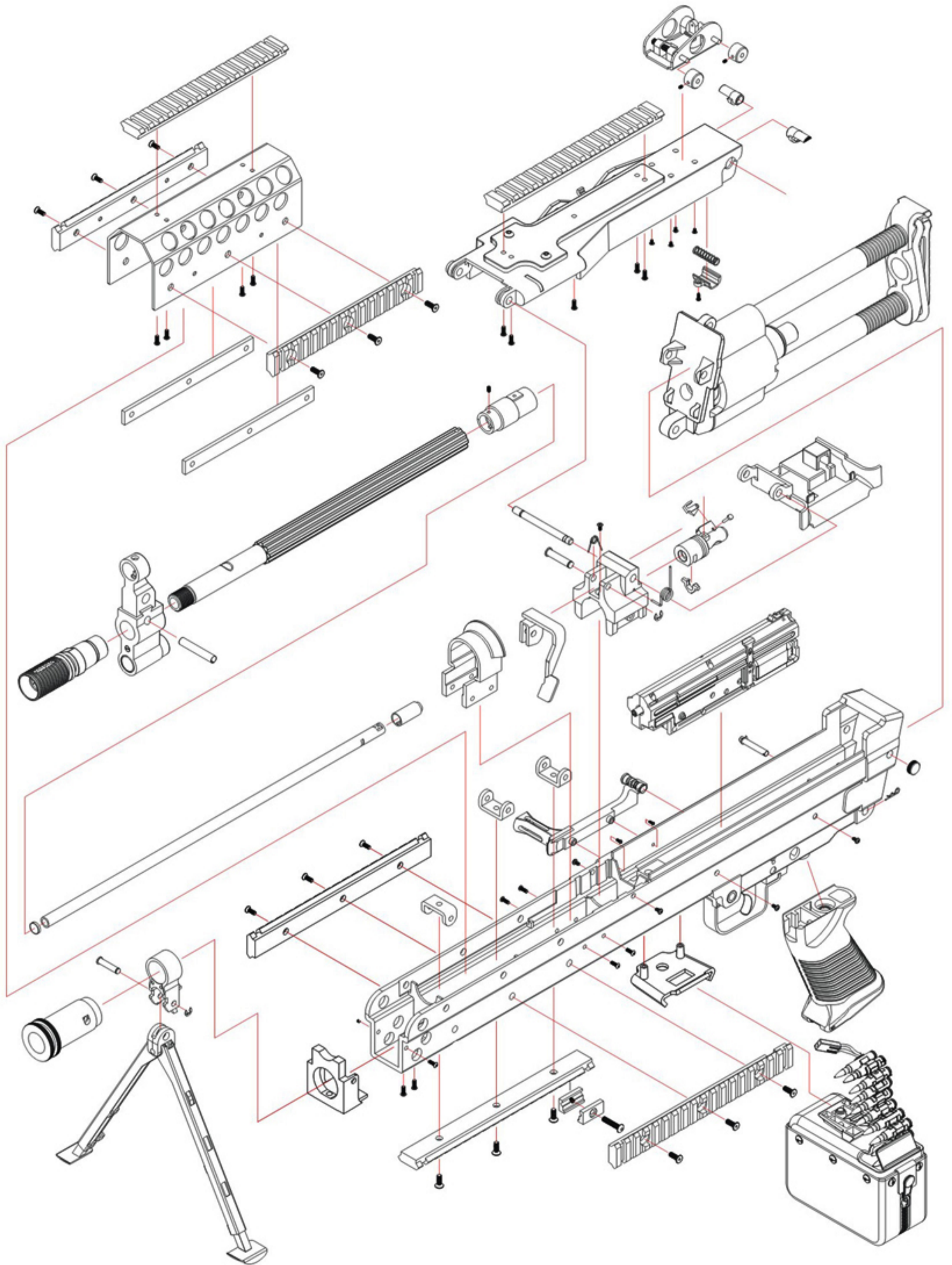
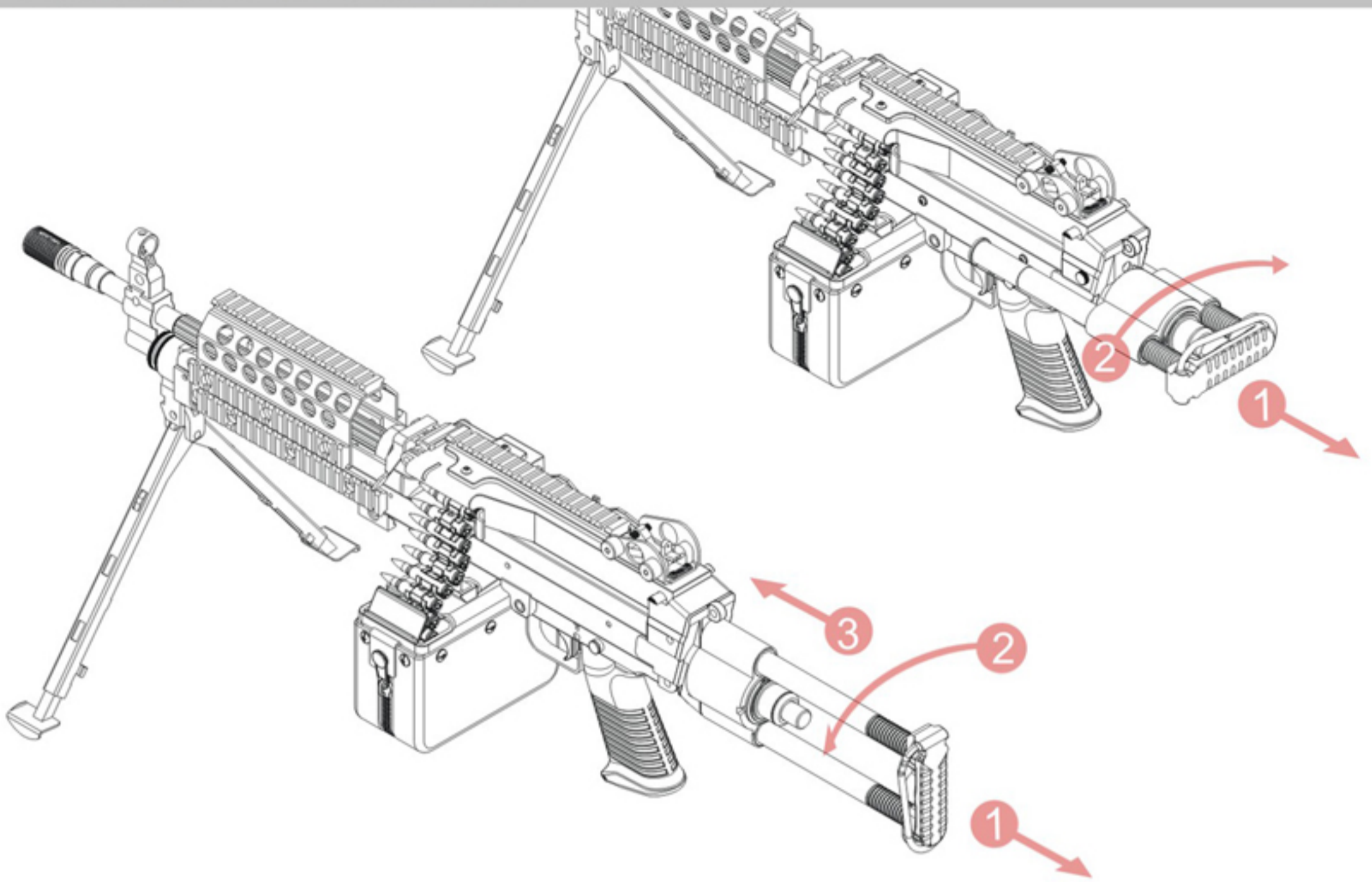


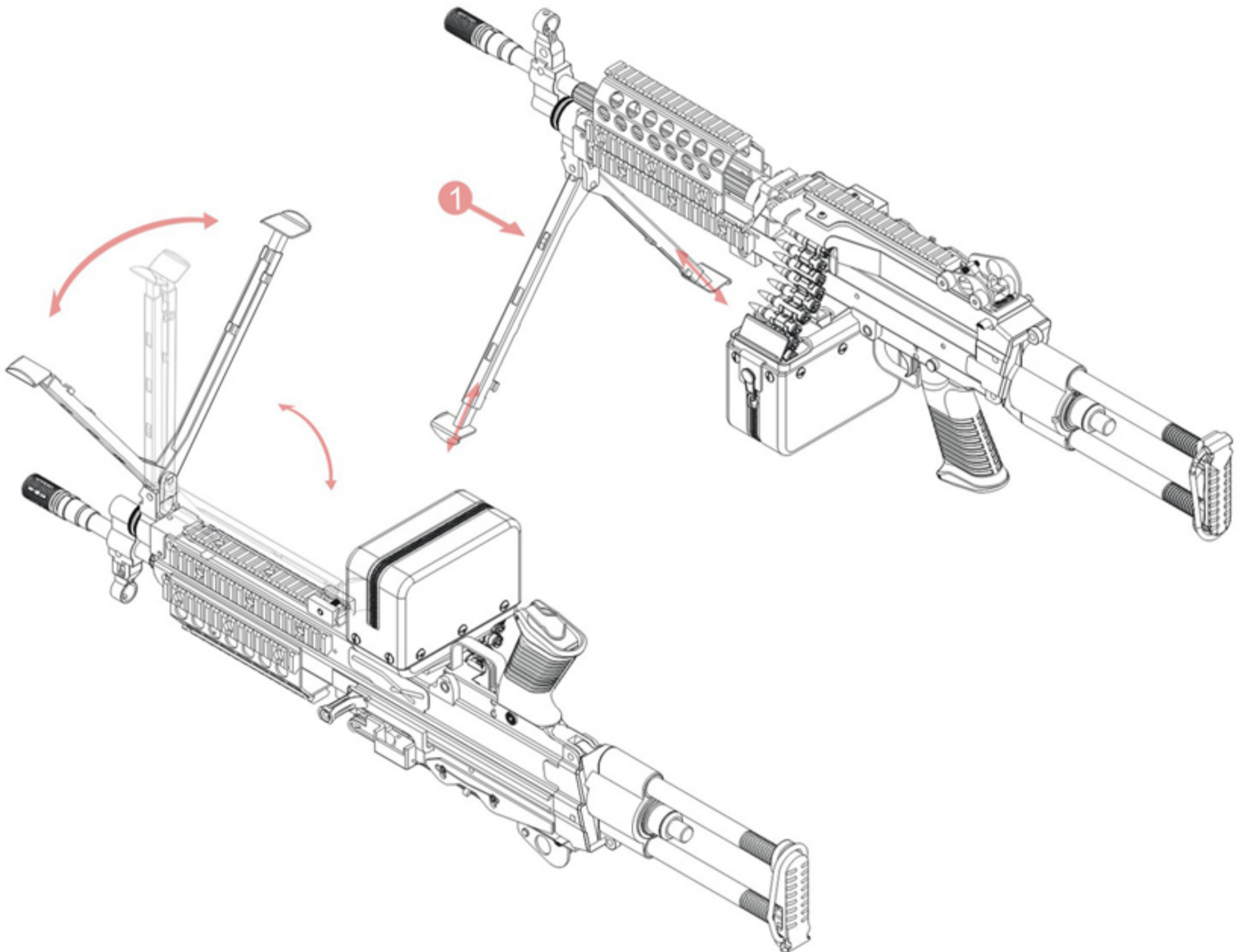
# MK 46 EXPOSE PLAN



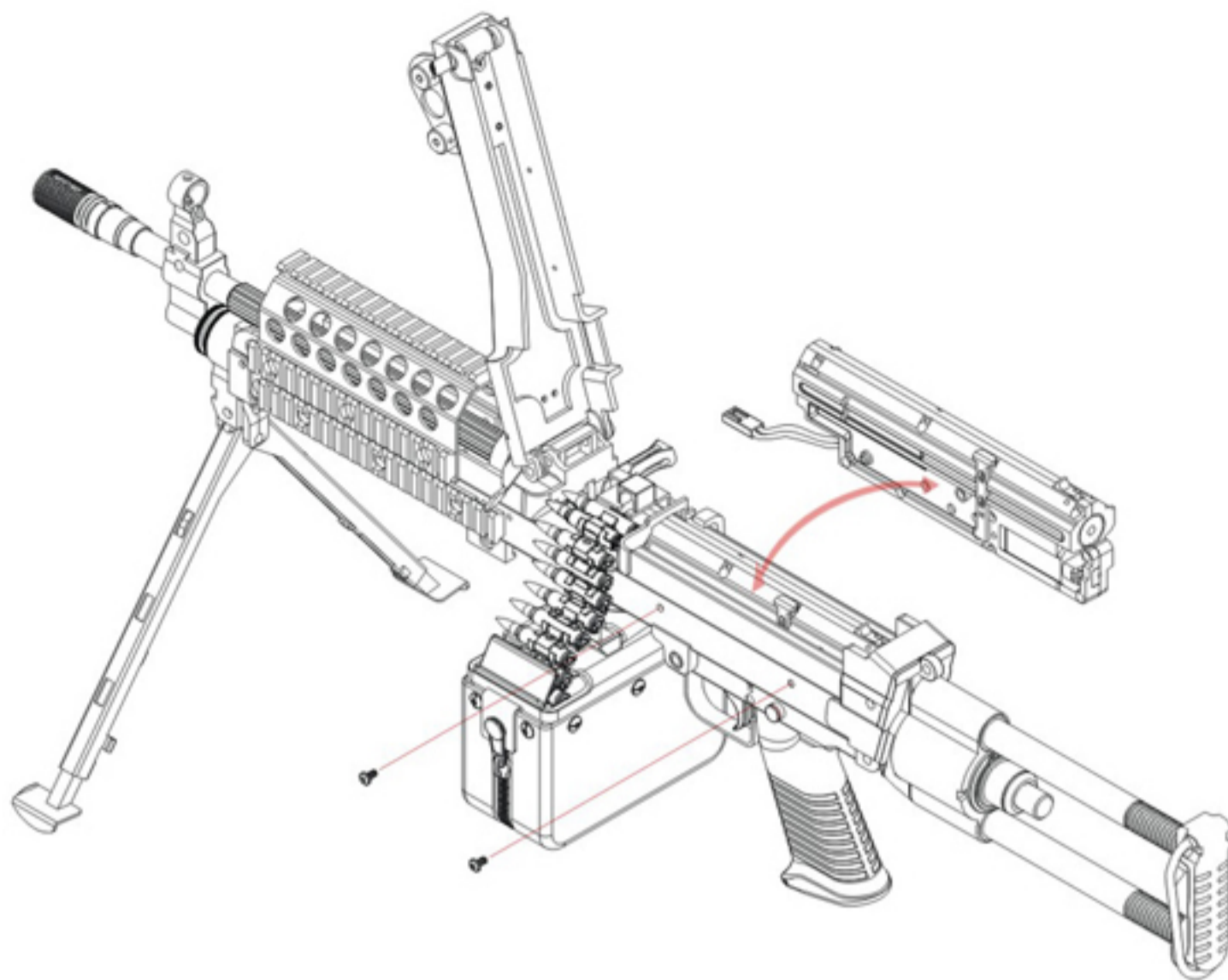
# BUD STOCK ADJUSTMENT



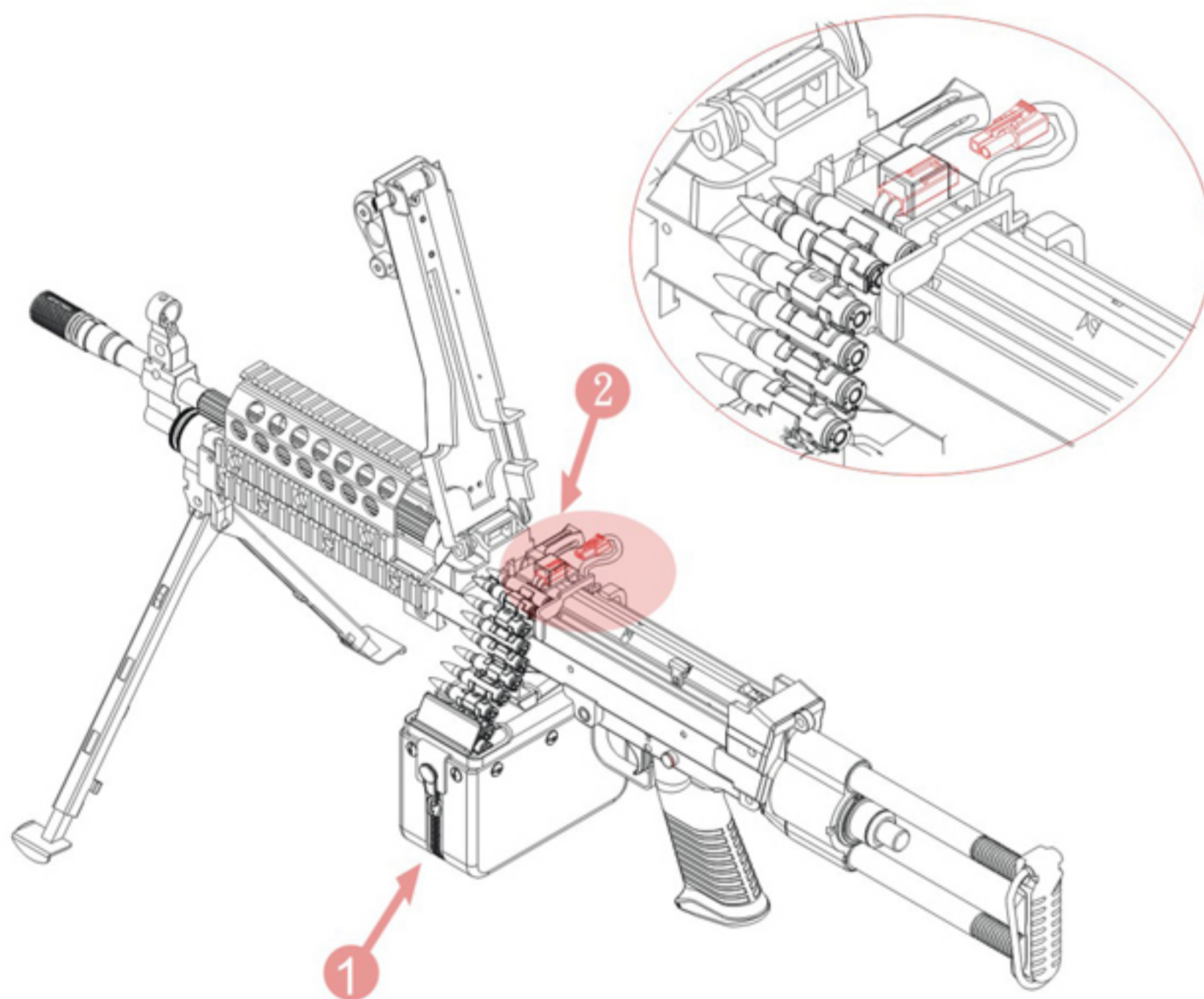
# UNDERPROP ADJUSTMENT



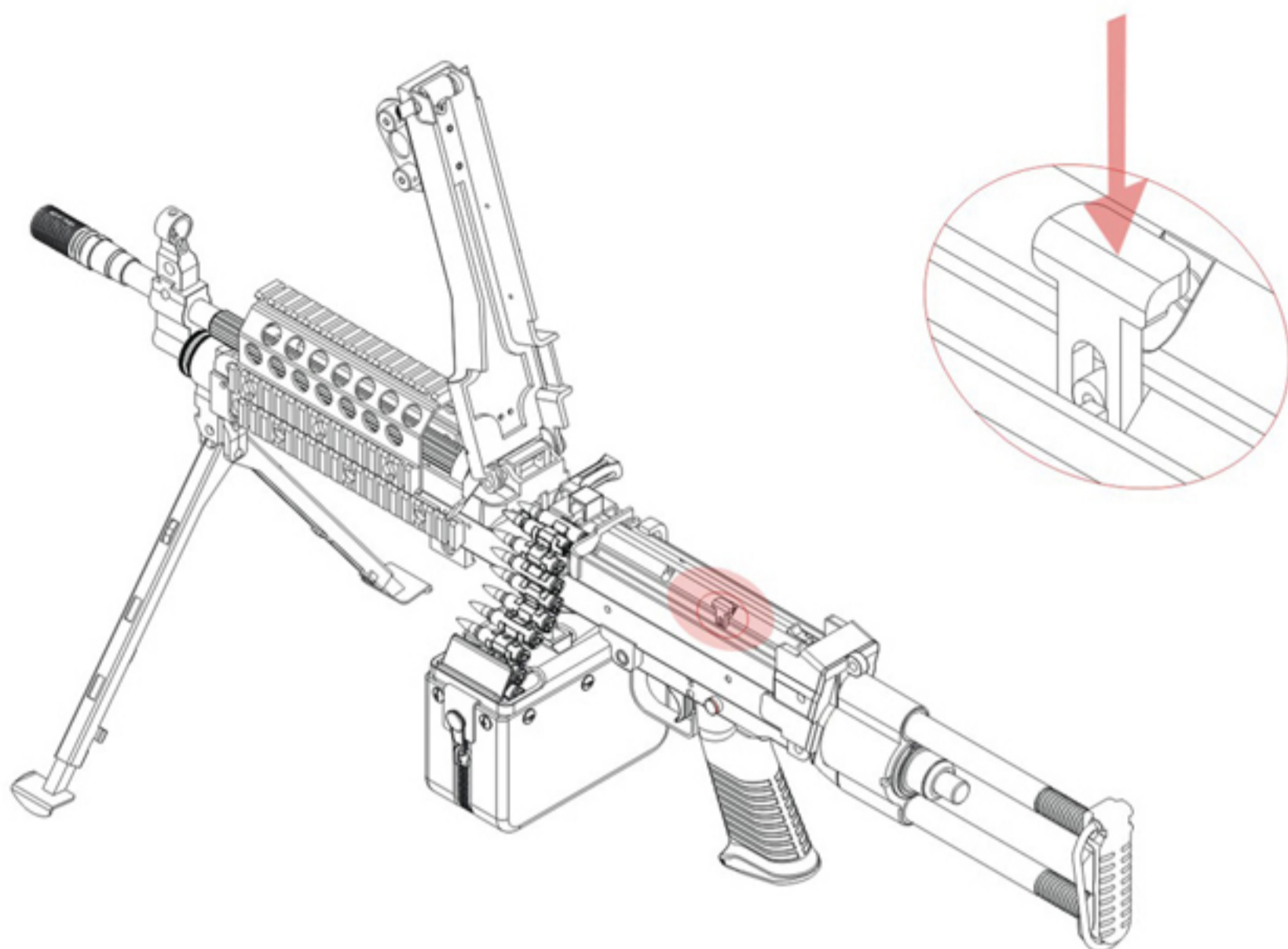
# GEAR BOX INSTALLATION



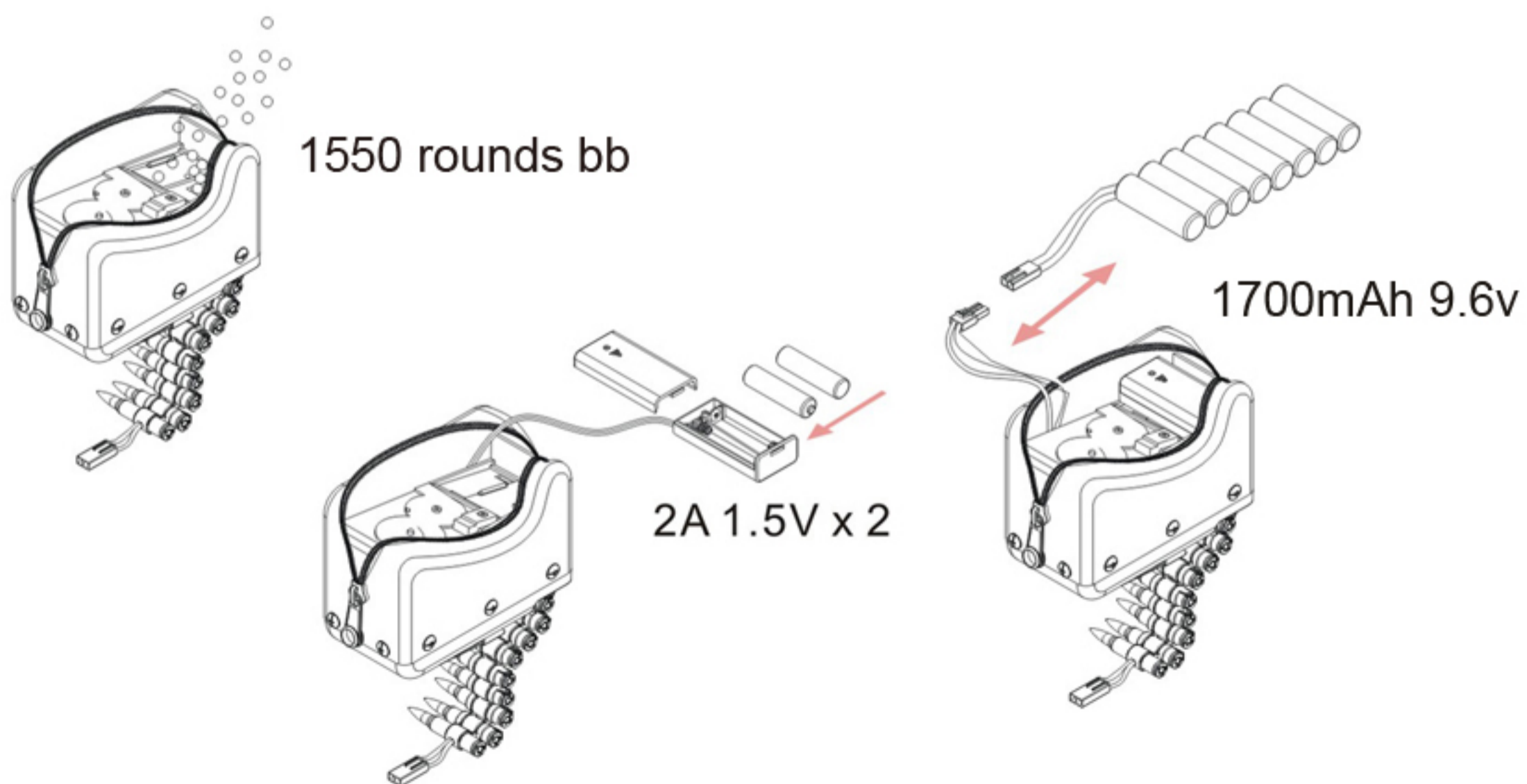
## MAIN POWER CONNECTION



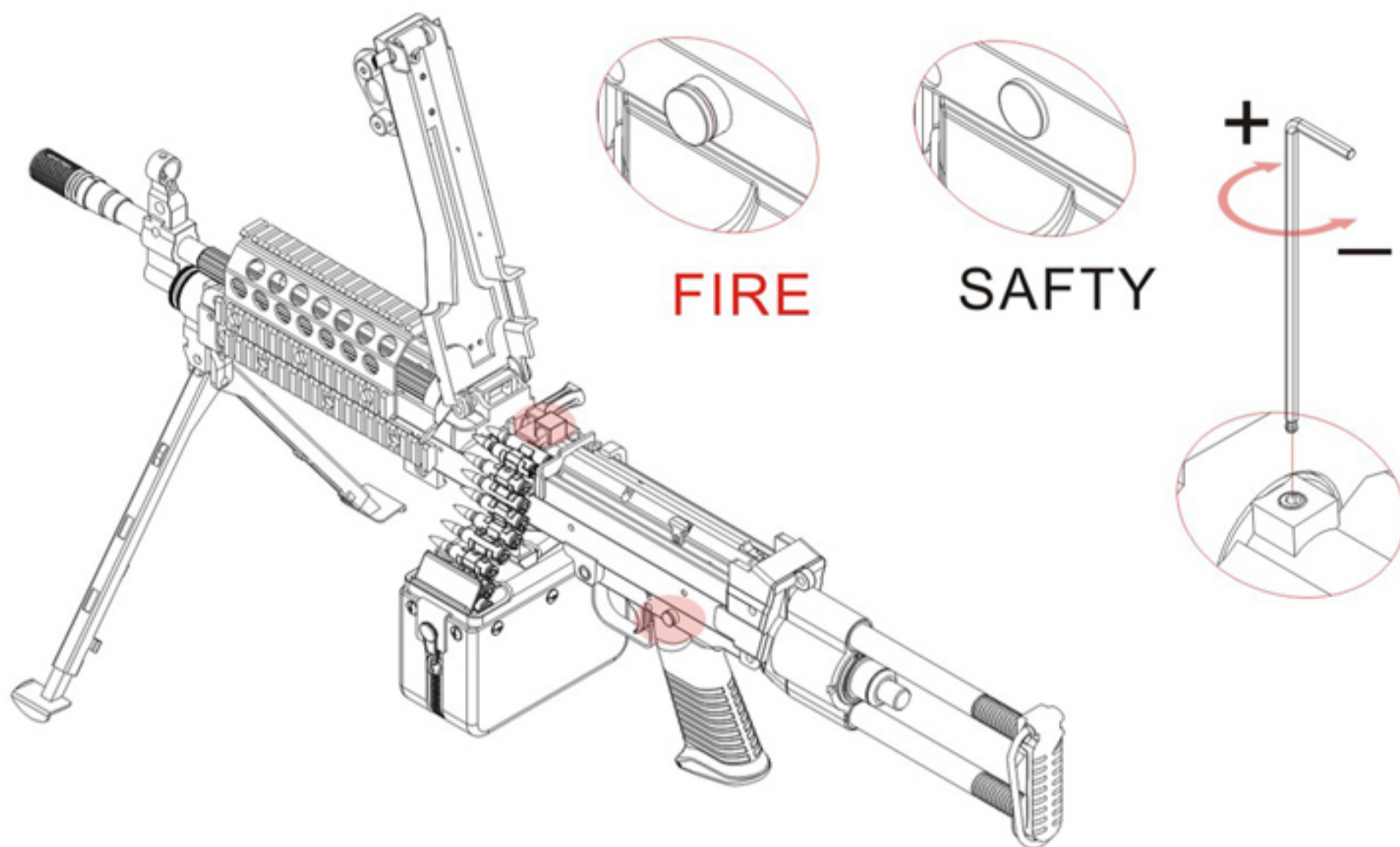
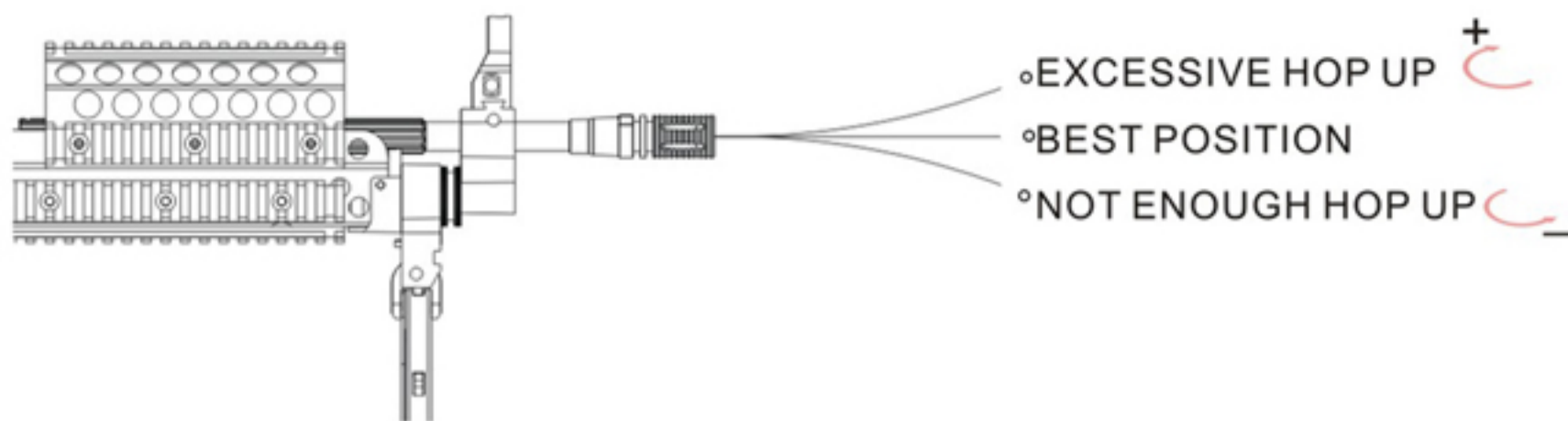
# SPRING RELEASE



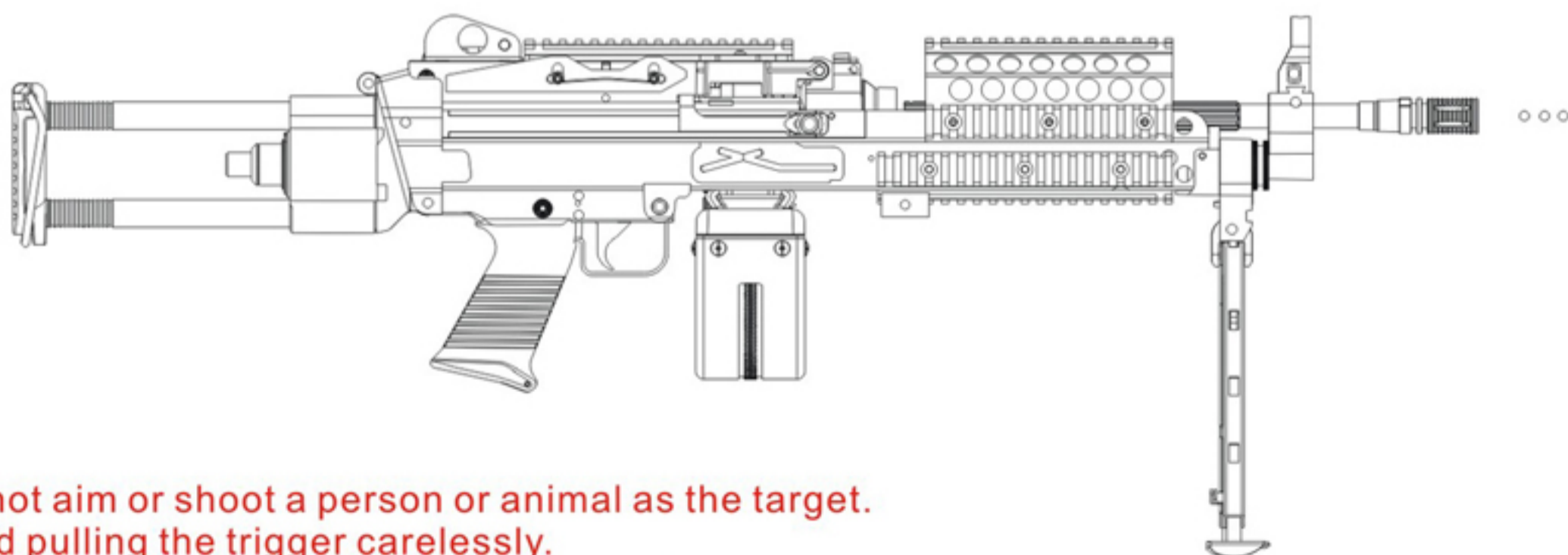
# BATTERY AND BB INSTALLATION



# HOP-UP ADJUSTMENT



## WARNING



- .Do not aim or shoot a person or animal as the target.
- .Avoid pulling the trigger carelessly.
- .Always put the gun in a case or bag when you carrying it.
- .Always set the switch lever to the safety position.
- .Do not look into the gun muzzle.
- .Always wear eye protective gear.
- .Store the airsoft gun at the places out of reach by children.
- .Do not disassemble or modify the airsoft gun.

## **Data of MK-46 SPW Electric Gun**

**Material: Nylon Fiber and Aluminum Alloy**

**Hop-Up System: Adjustable**

**Length: 790 / 920mm (stock extended)**

**Weight: 3750g (net weight)**

**Barrel Length: 345mm**

**Magazine Capacity: 1550 rounds**

**Bullet: 6mm BB Bullets**

**Battery: 9.6v Battery 1700mAh**

**Motor: High Torque Flat Motor**