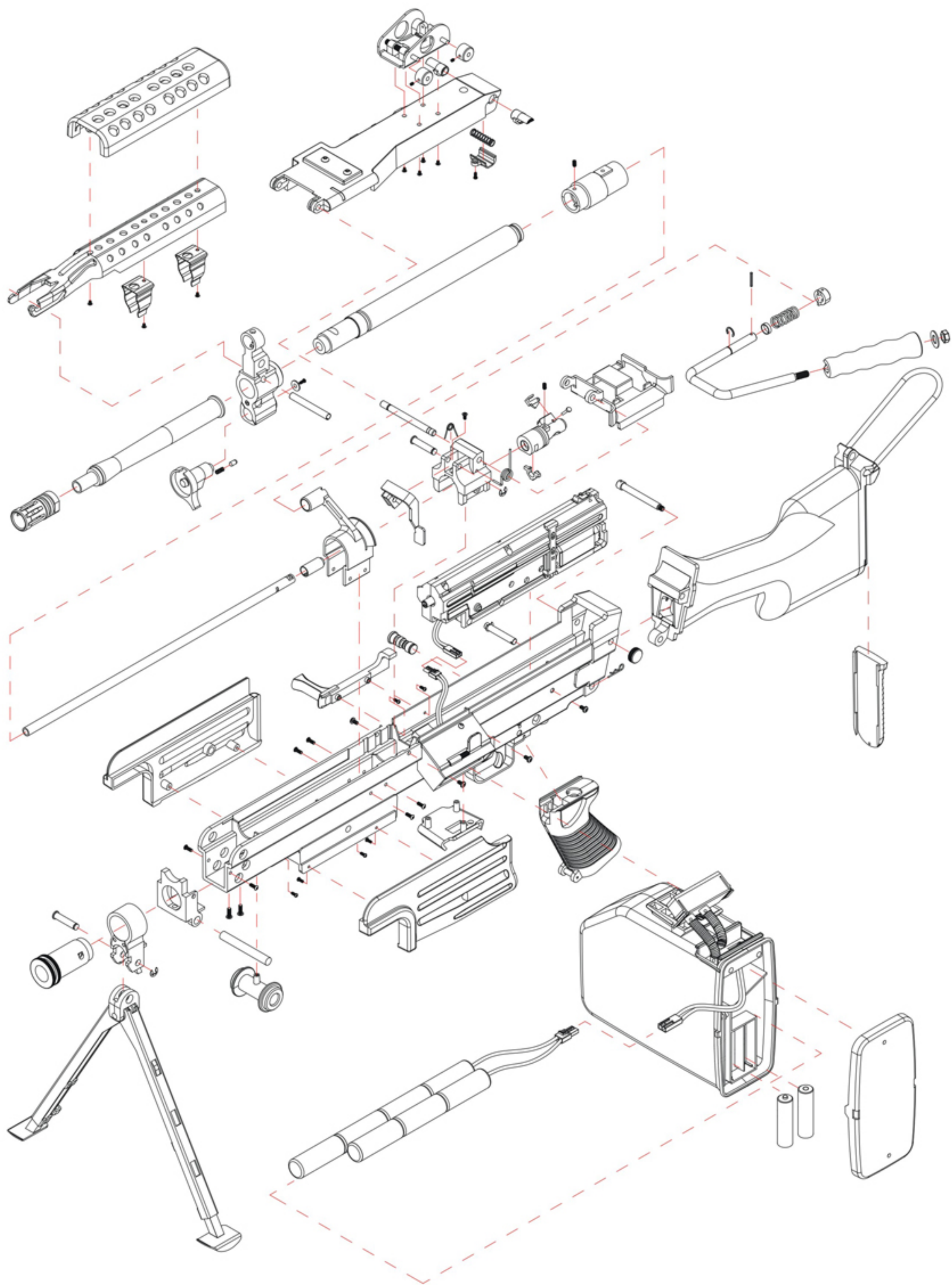
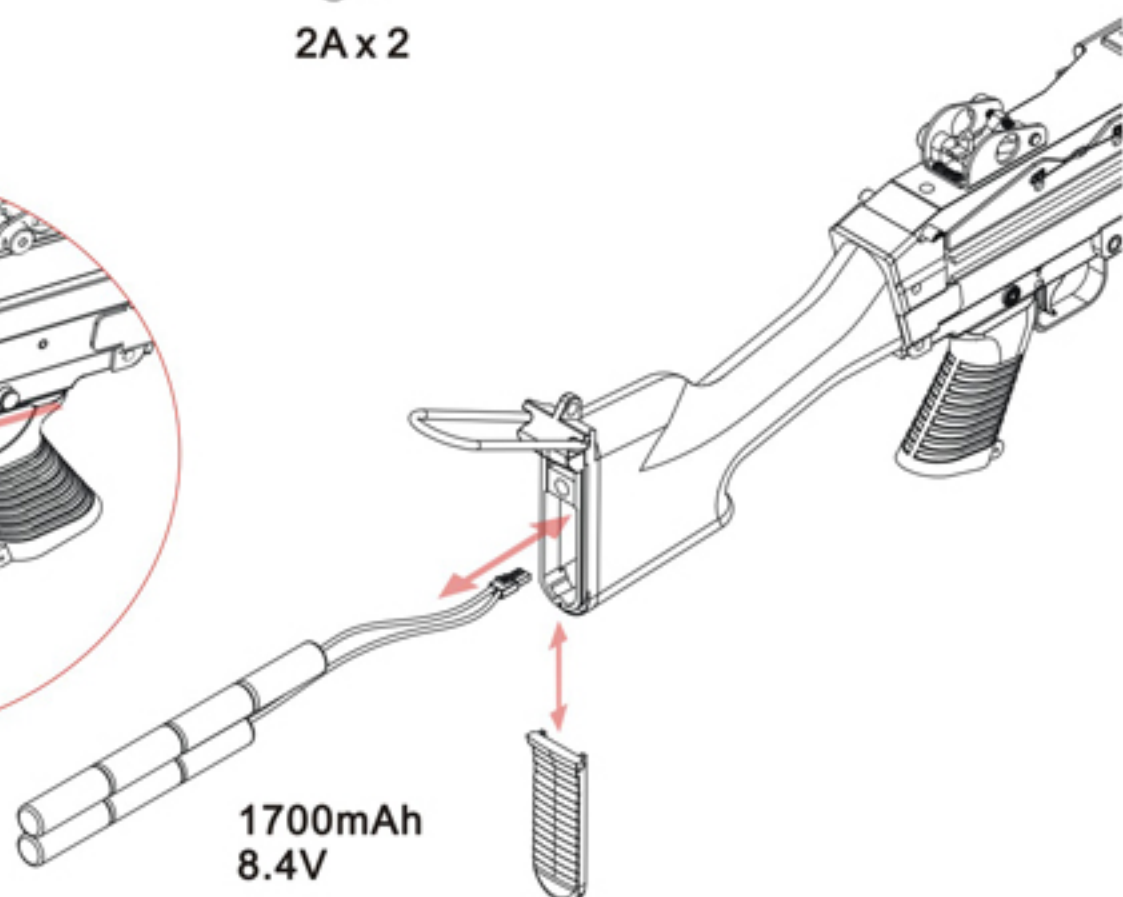
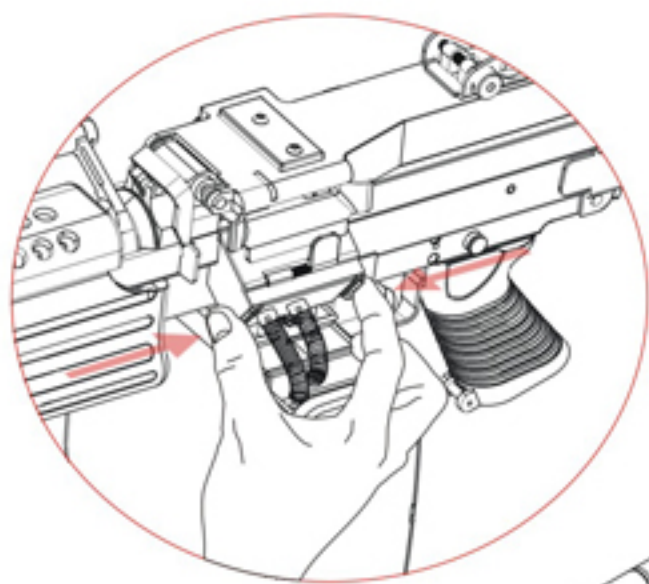
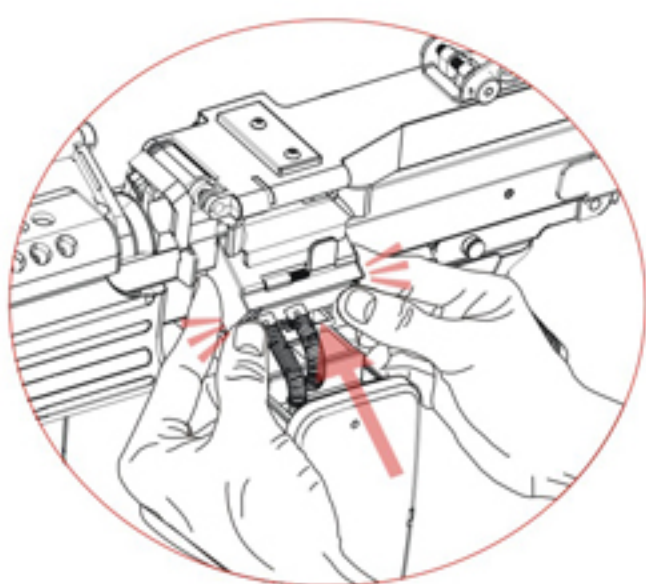
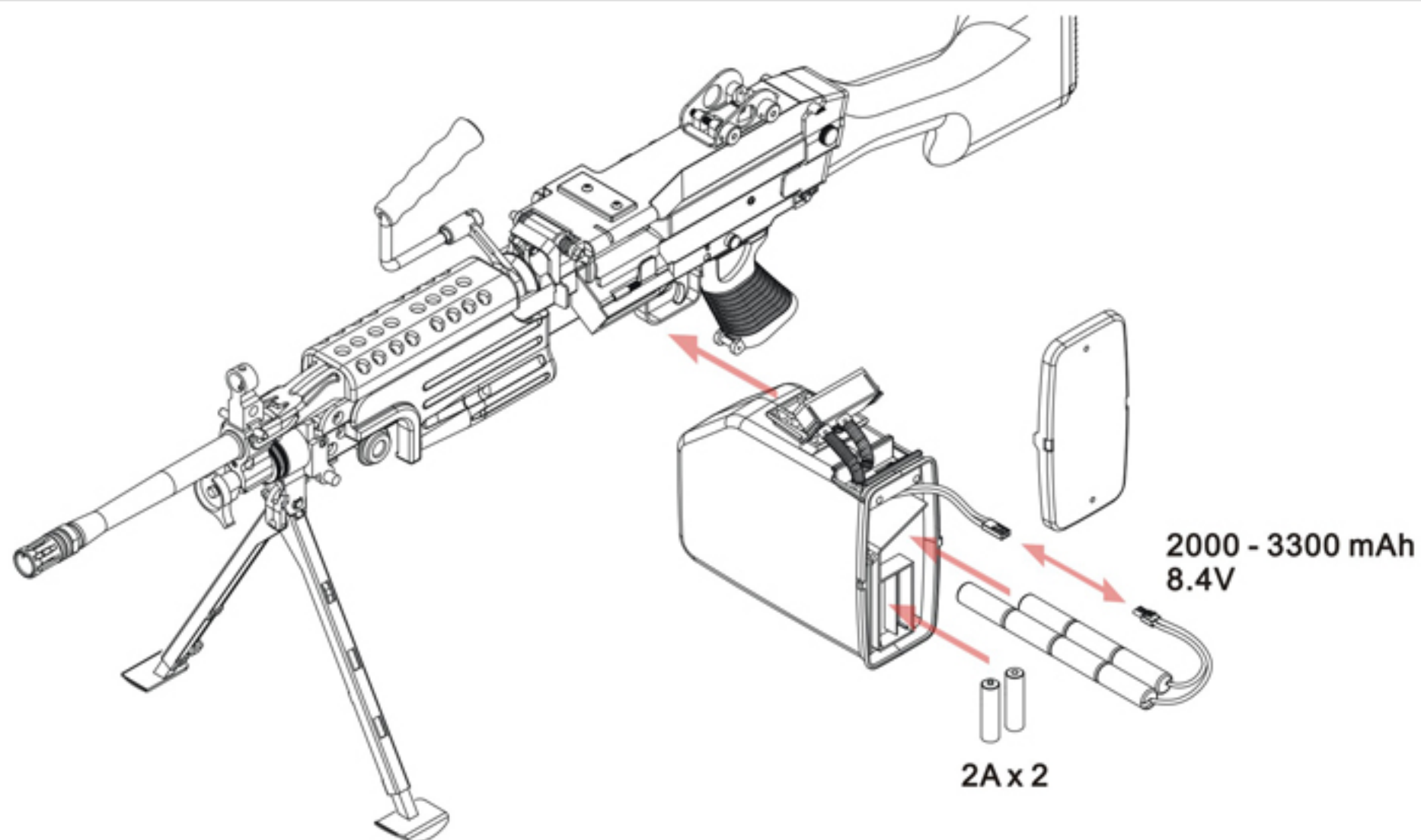


# M249 MKII EXPOSE PLAN

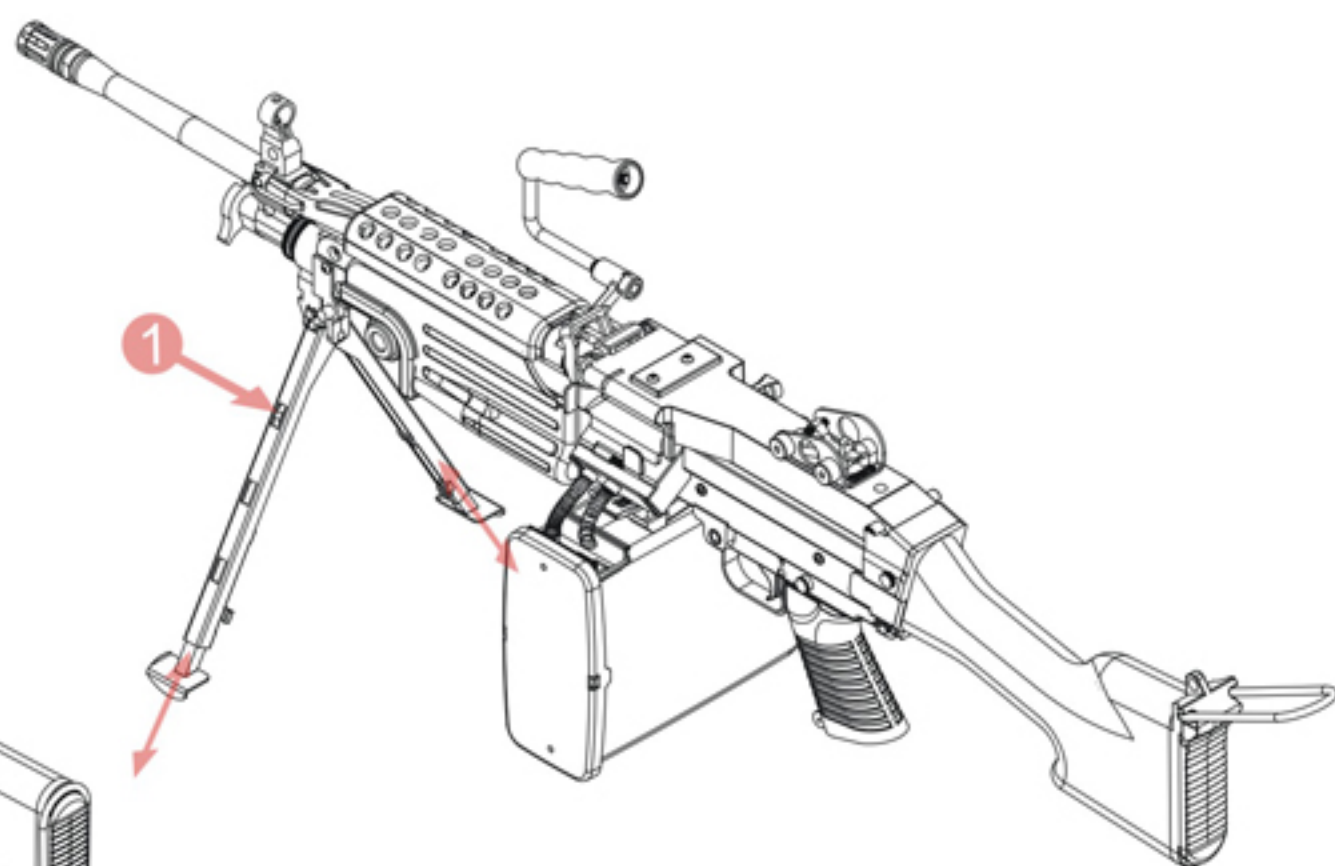
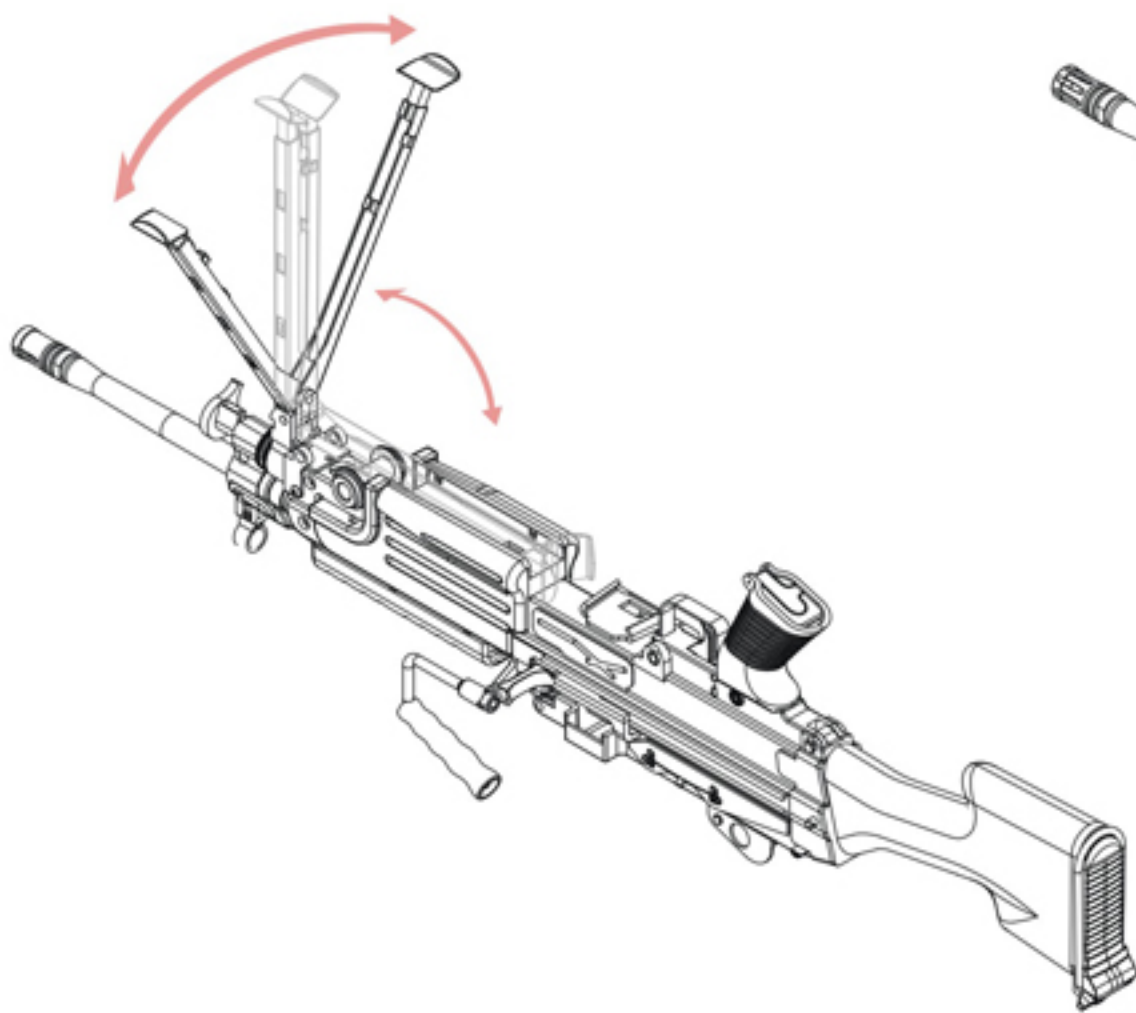




# BATTERY INSTALLATION

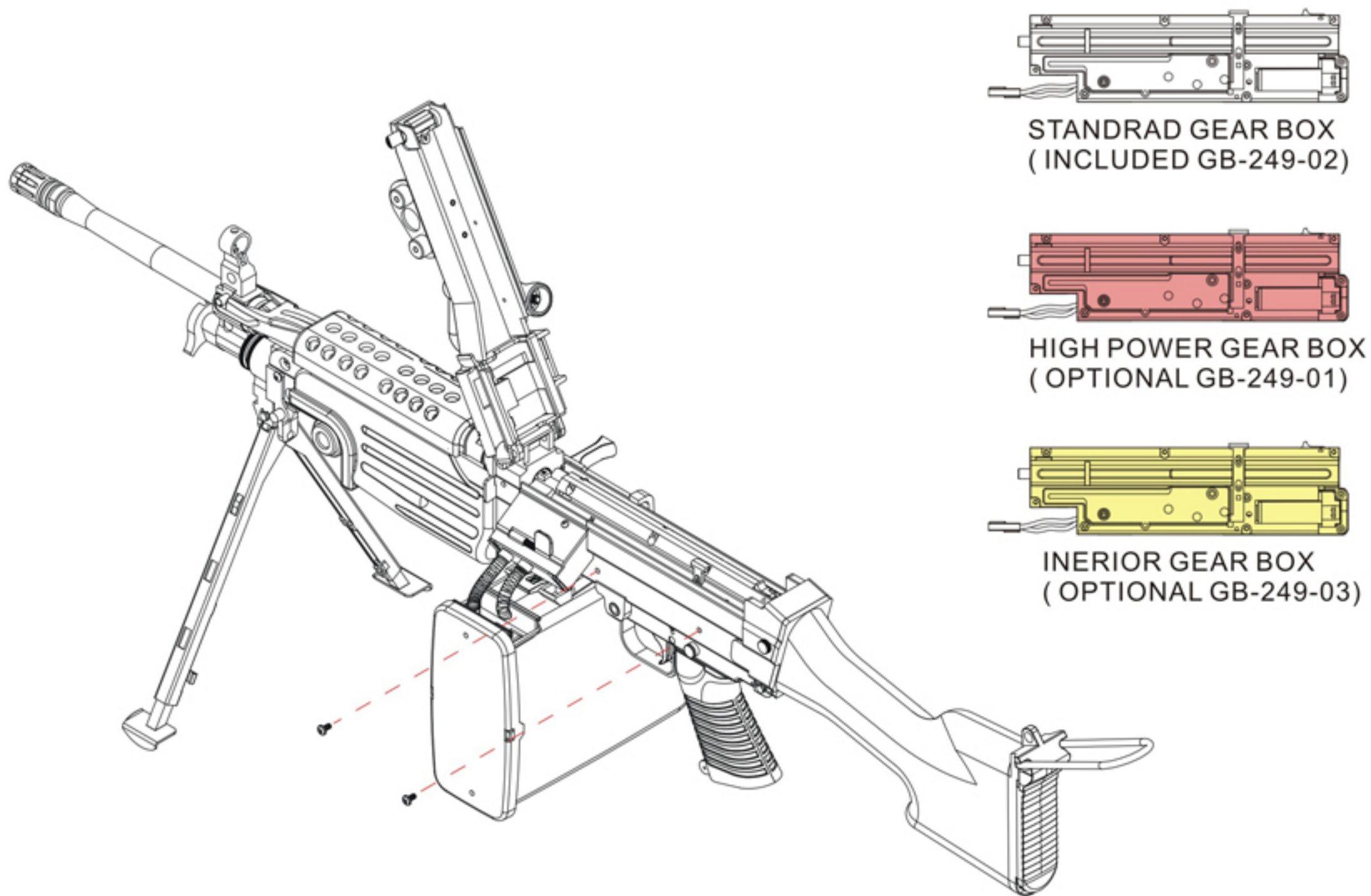


# UNDERPROP ADJUSTMENT

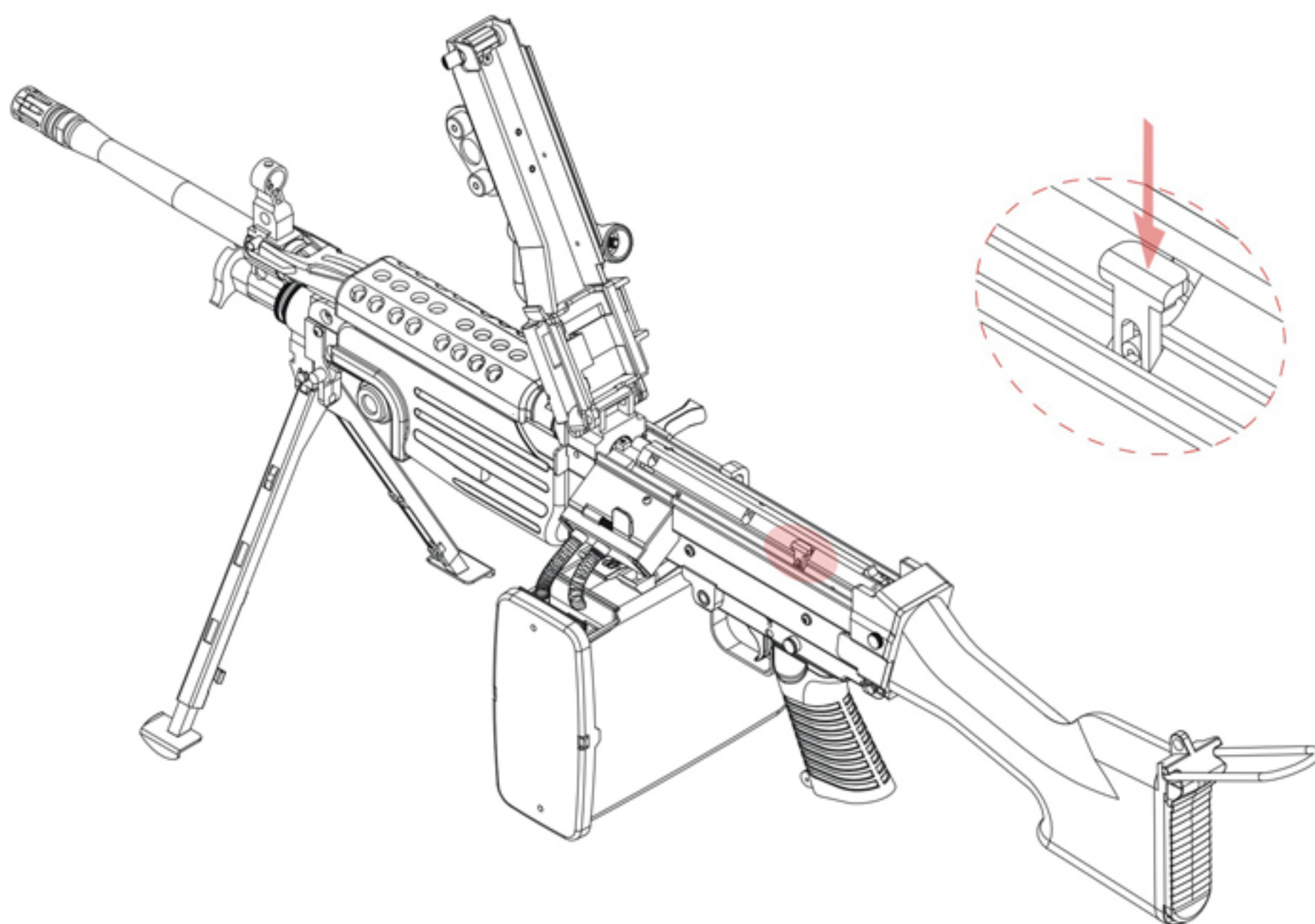




# GEAR BOX INSTALLATION

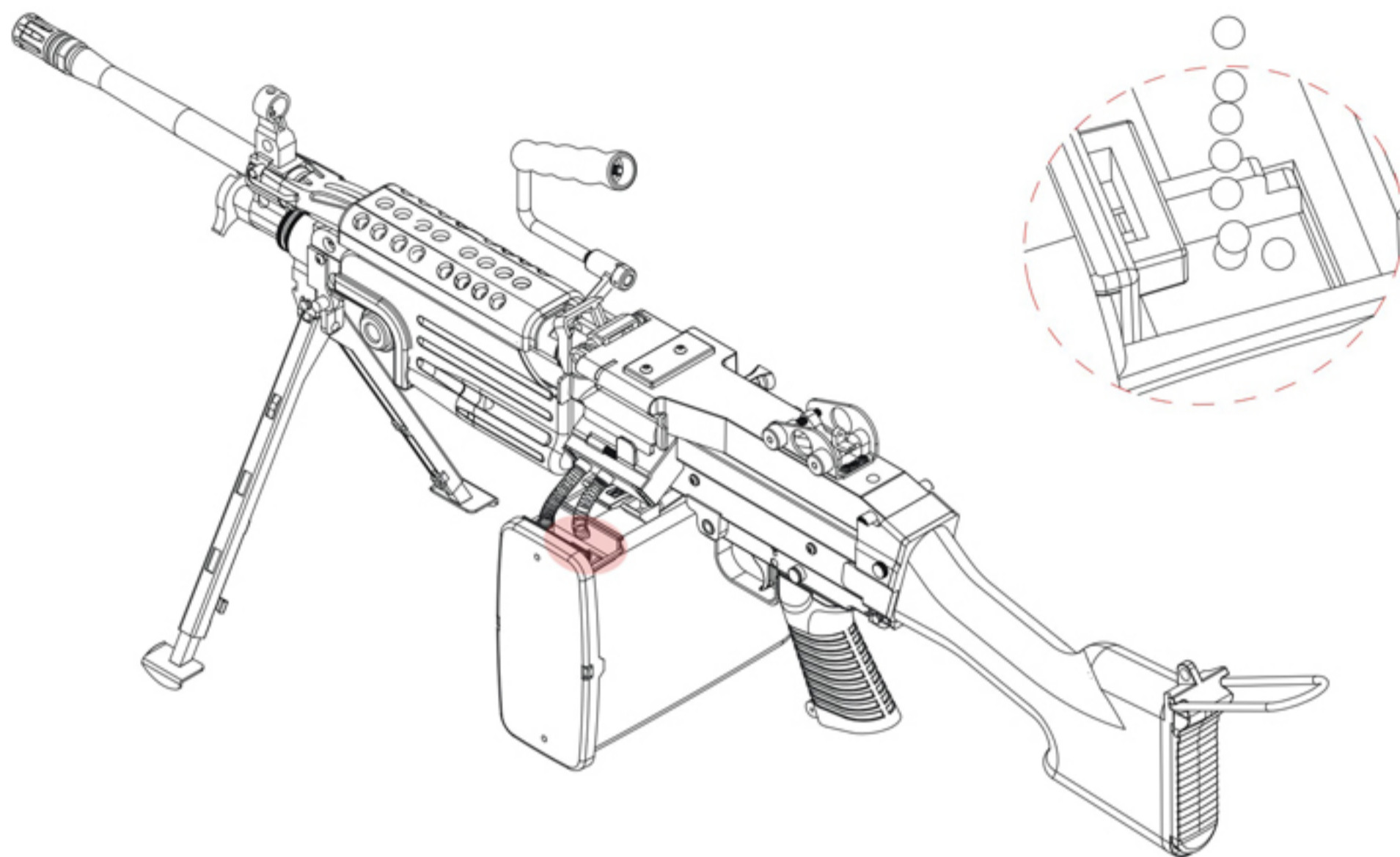


# SPRING RELEASE

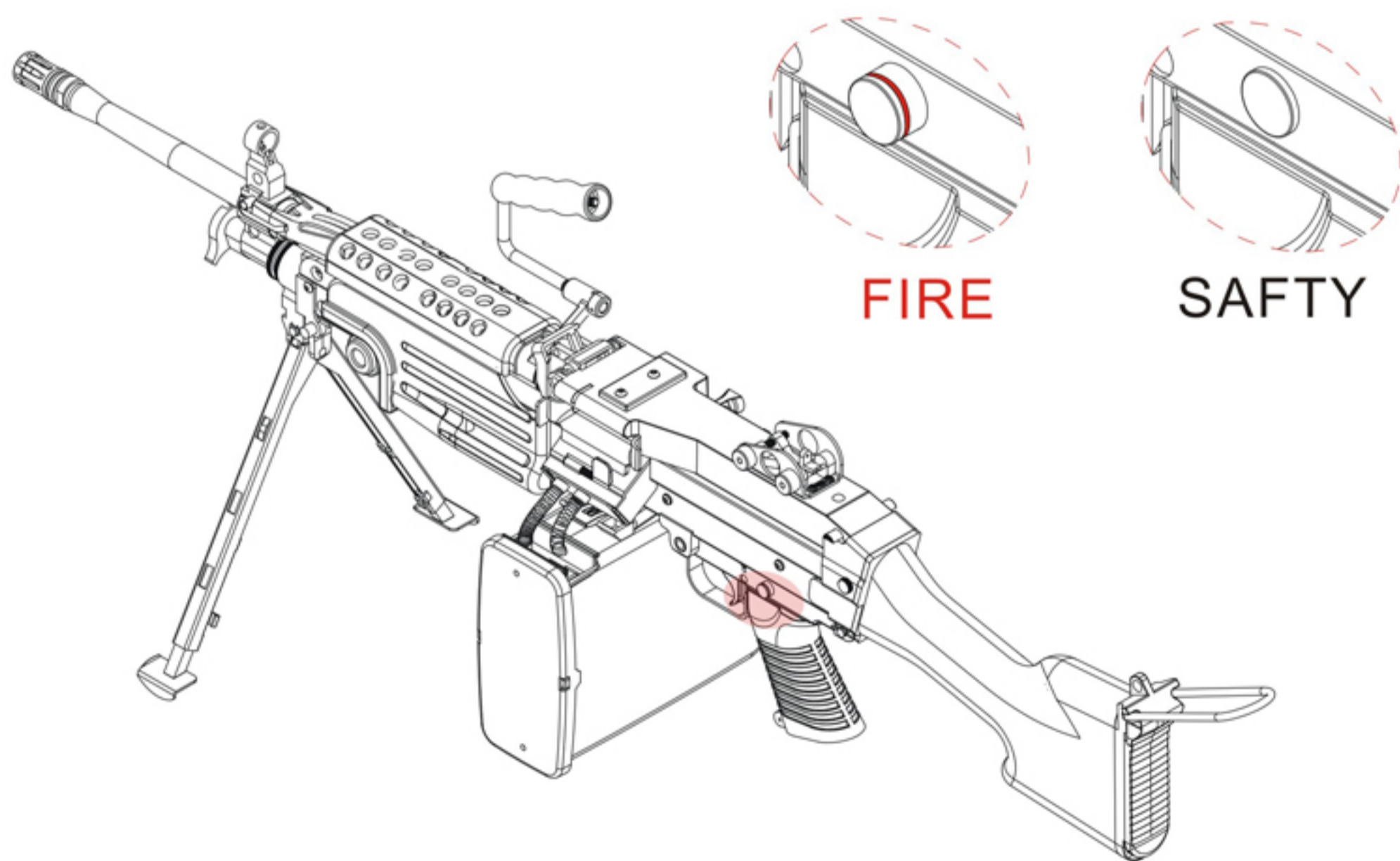


# BOX MAGAZINE LOADING

BOX MAGAZINE CAPACITY: 2500 RDS

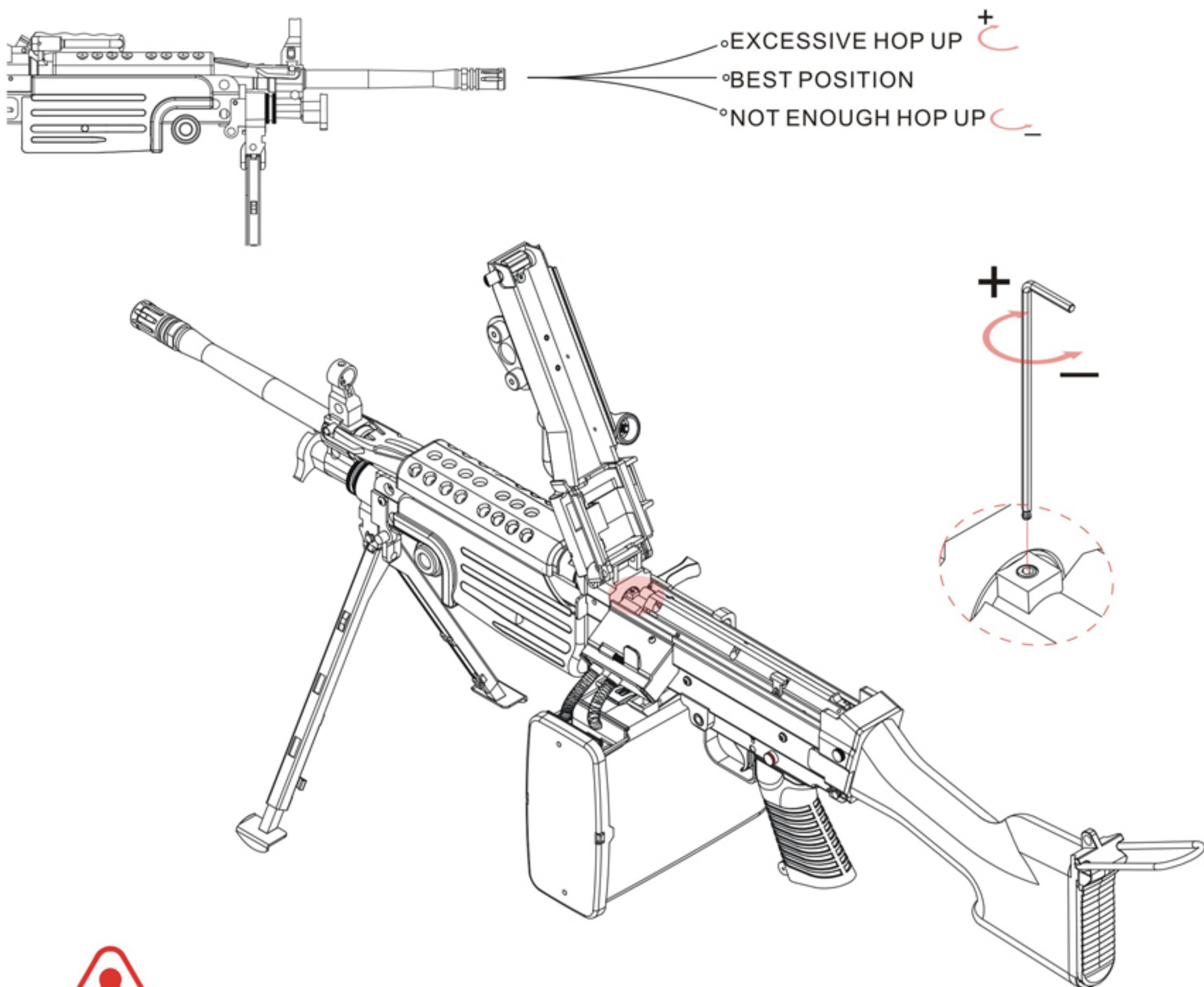


# SAFETY SETTING

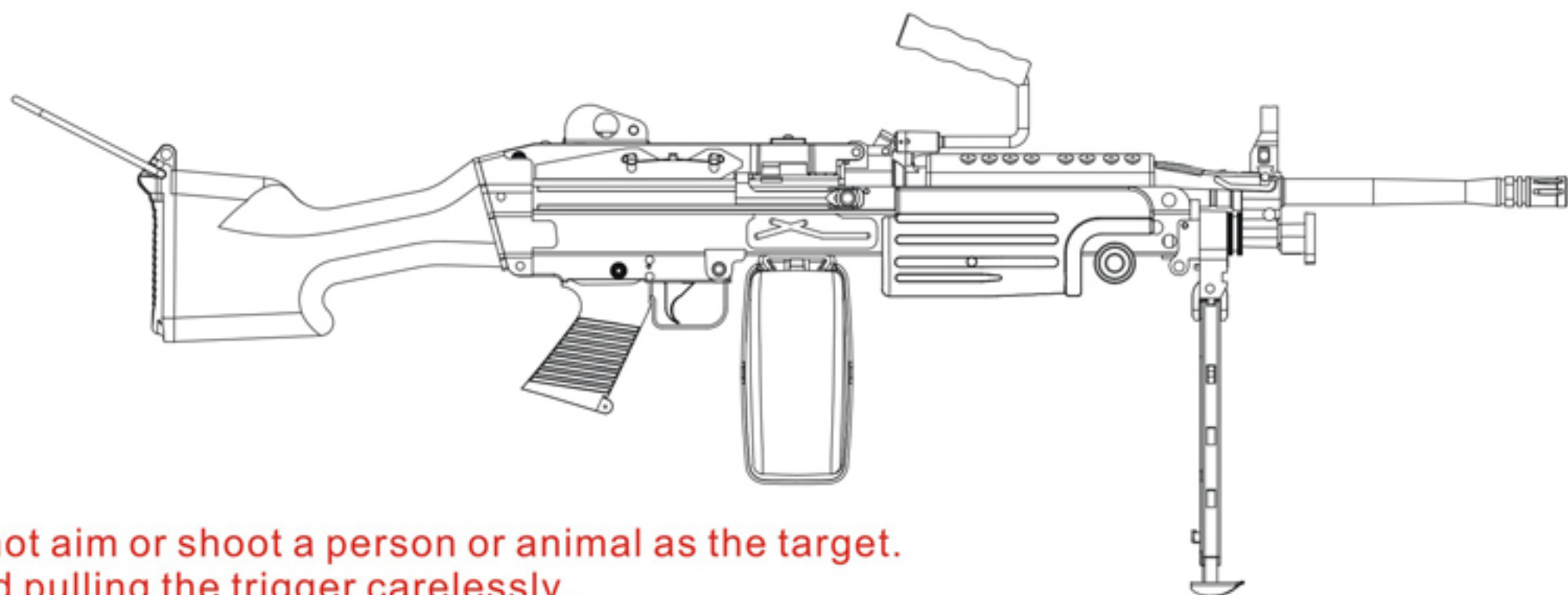




# HOP-UP ADJUSTMENT



## WARNING



- .Do not aim or shoot a person or animal as the target.
- .Avoid pulling the trigger carelessly.
- .Always put the gun in a case or bag when you carrying it.
- .Always set the switch lever to the safety position.
- .Do not look into the gun muzzle.
- .Always wear eye protective gear.
- .Store the airsoft gun at the places out of reach by children.
- .Do not disassemble or modify the airsoft gun.

**Data of M249 MKII Airsoft Electric Gun**

**Material: Nylon Fiber and Zinc Alloy**

**HOP System: Adjustable**

**Length: 1050mm**

**Weight: 2713g (net weight)**

**Barrel Length: 455mm**

**Magazine Capacity: 2500 rounds**

**Bullet: 6mm BB bullets**

**Battery: 8.4V battery (2000-3300mAH)**

**Motor: High Torque Flat Motor**