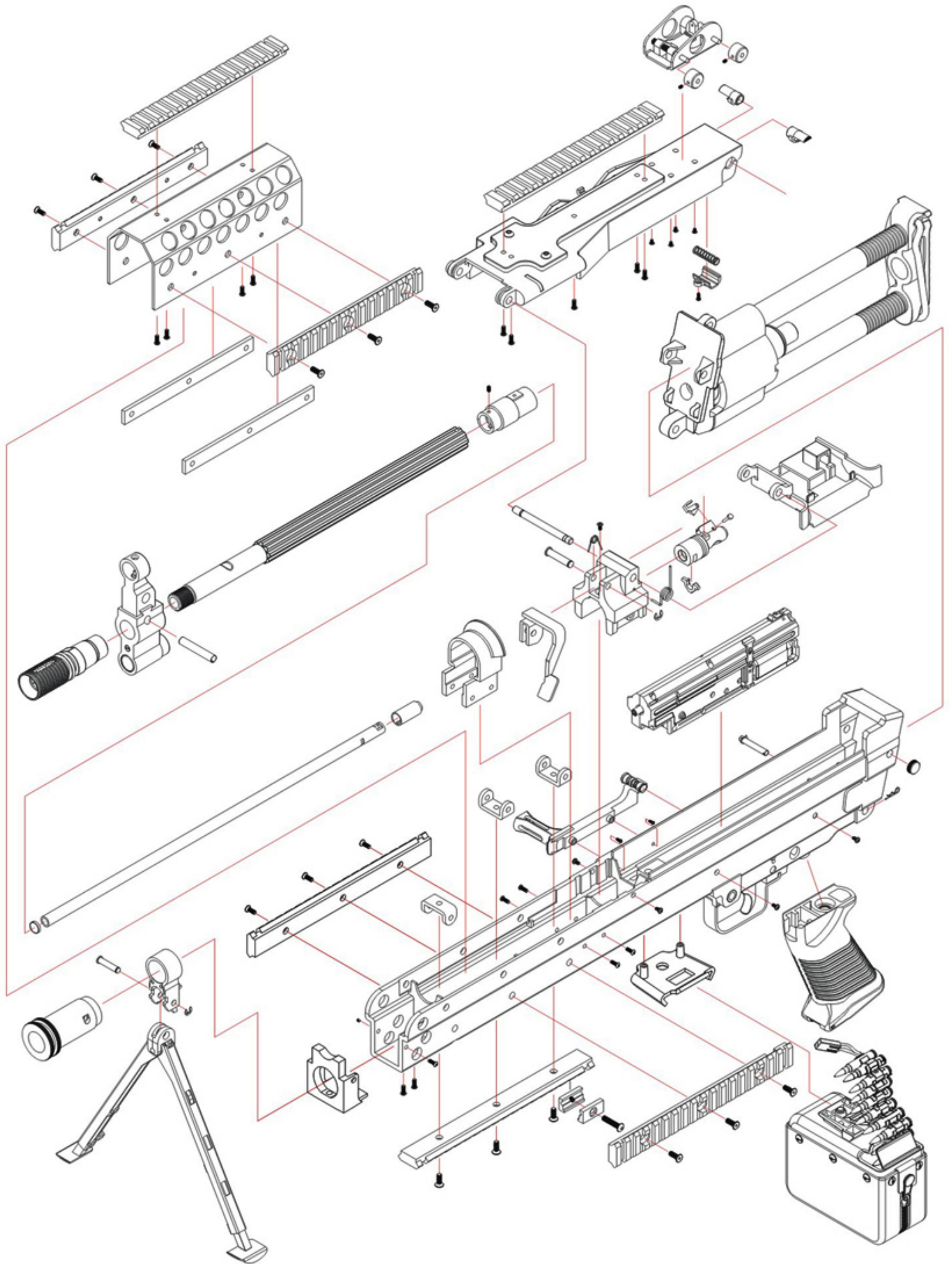
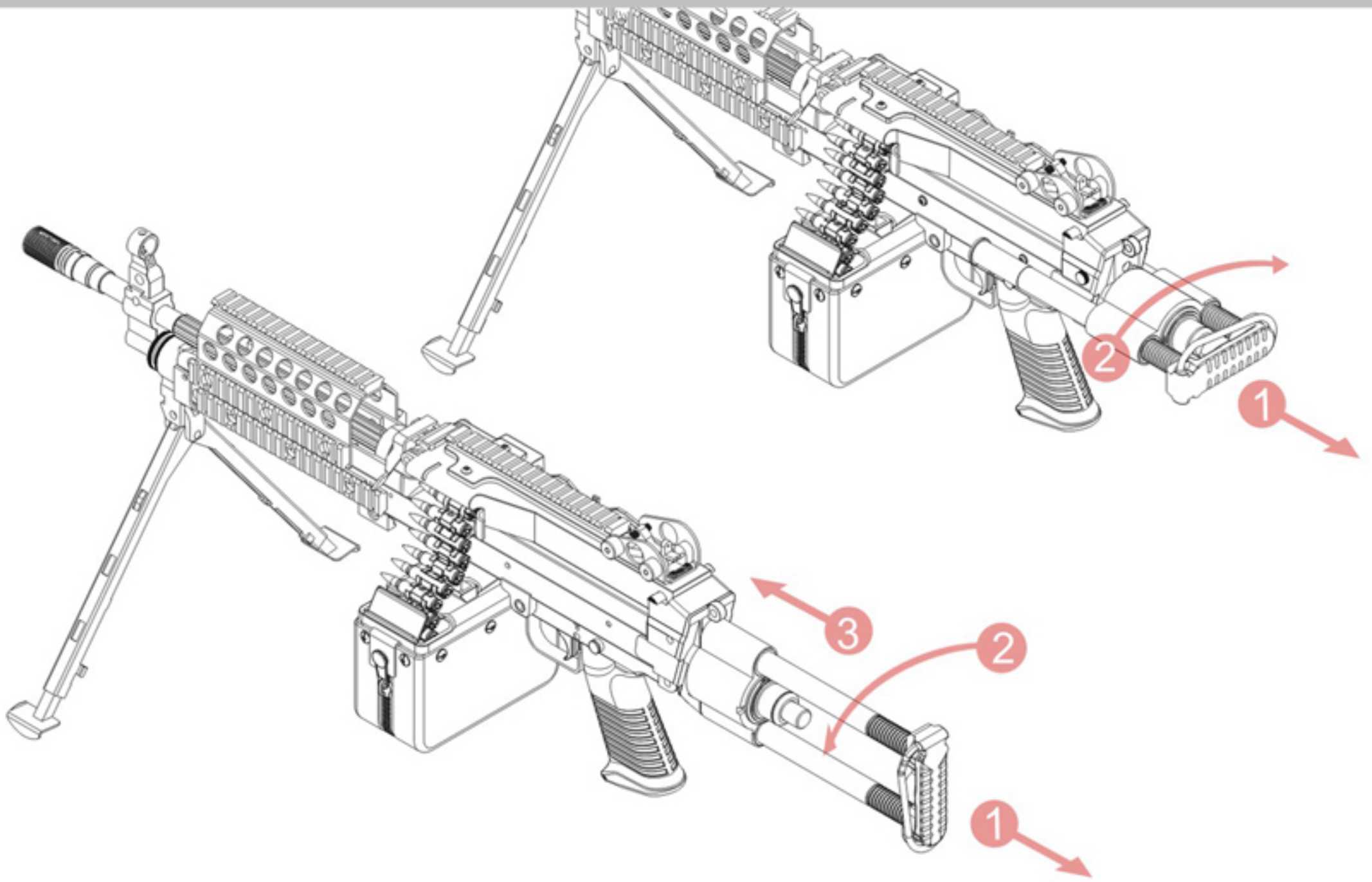


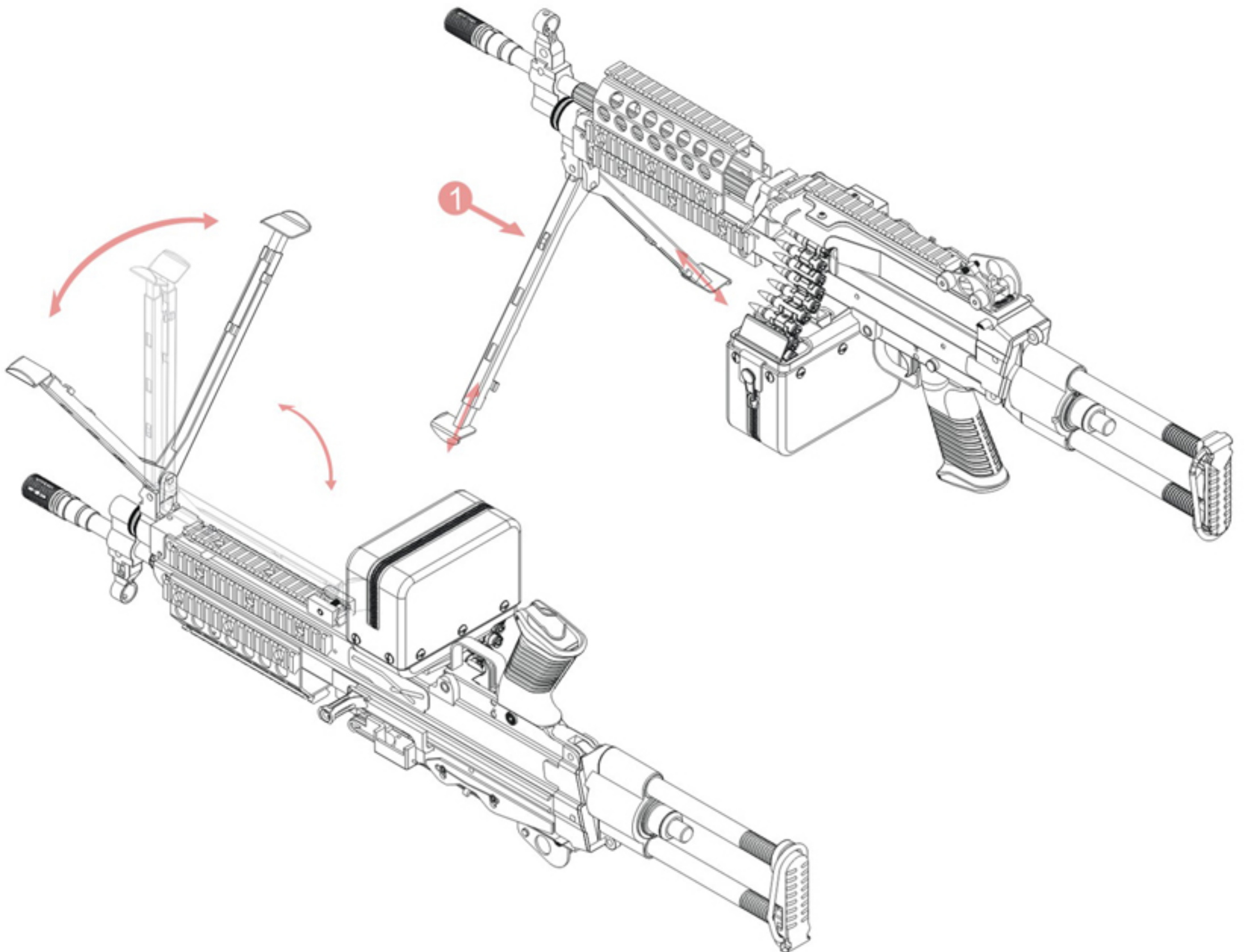
MK 46 EXPOSE PLAN



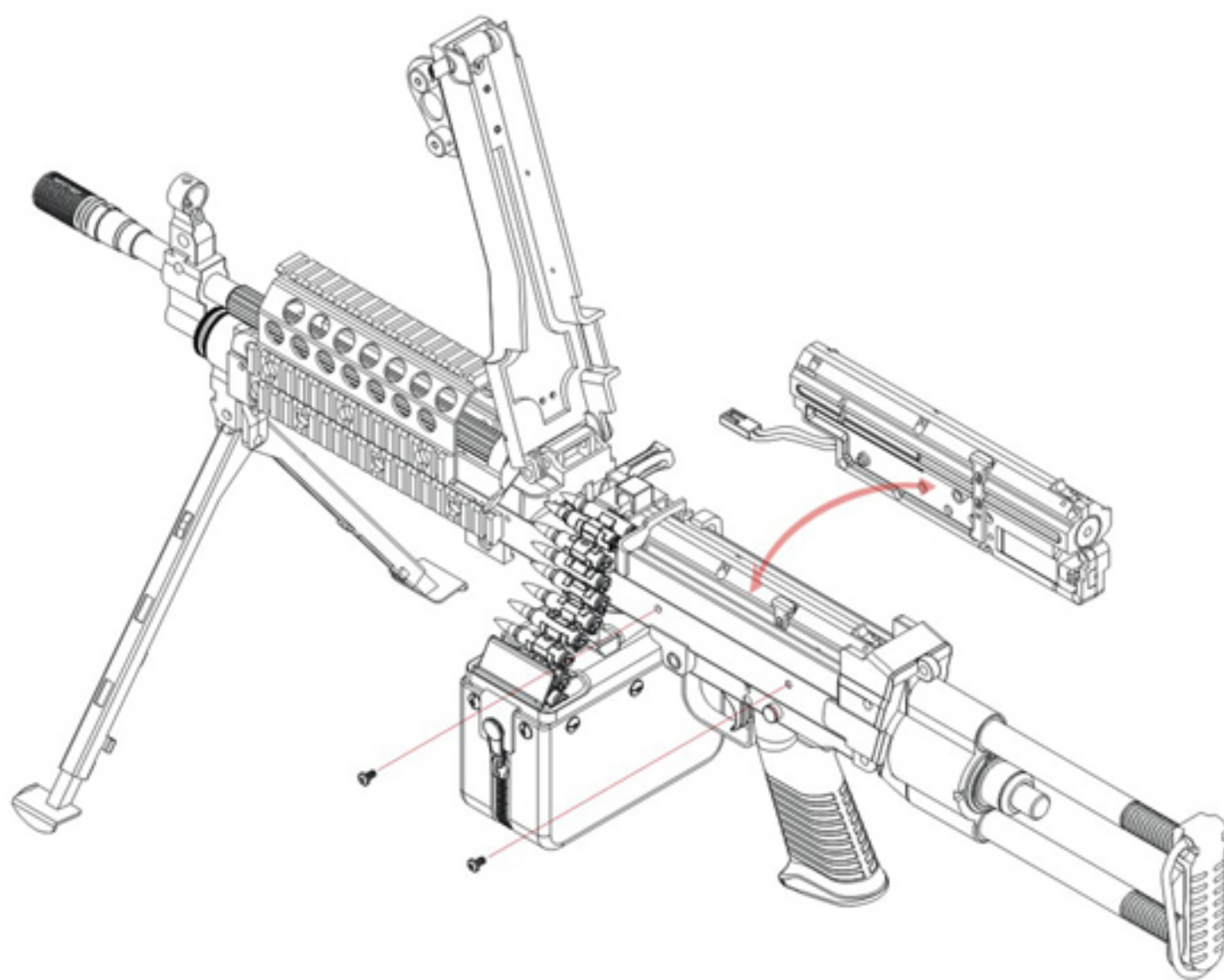
BUD STOCK ADJUSTMENT



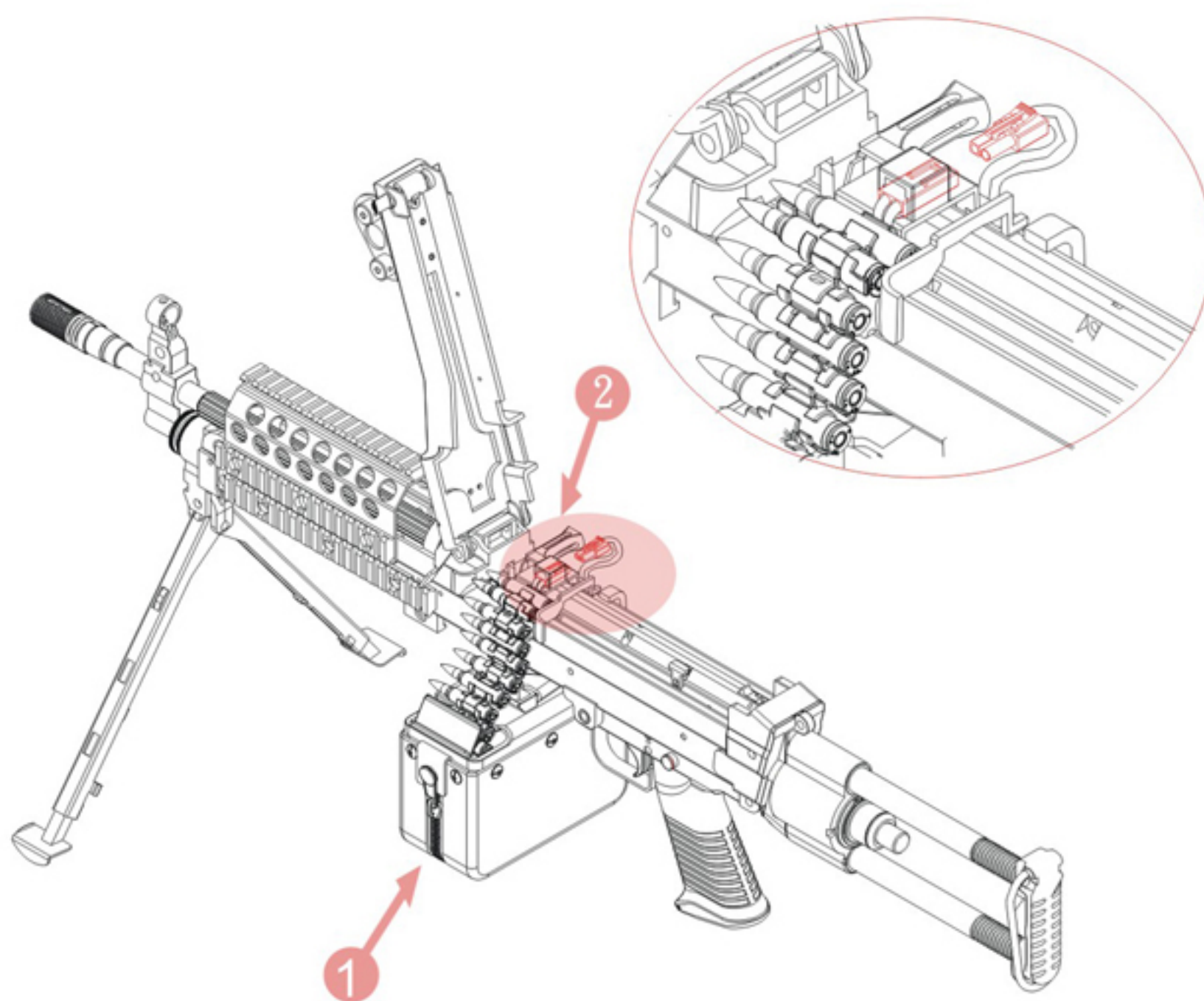
UNDERPROP ADJUSTMENT



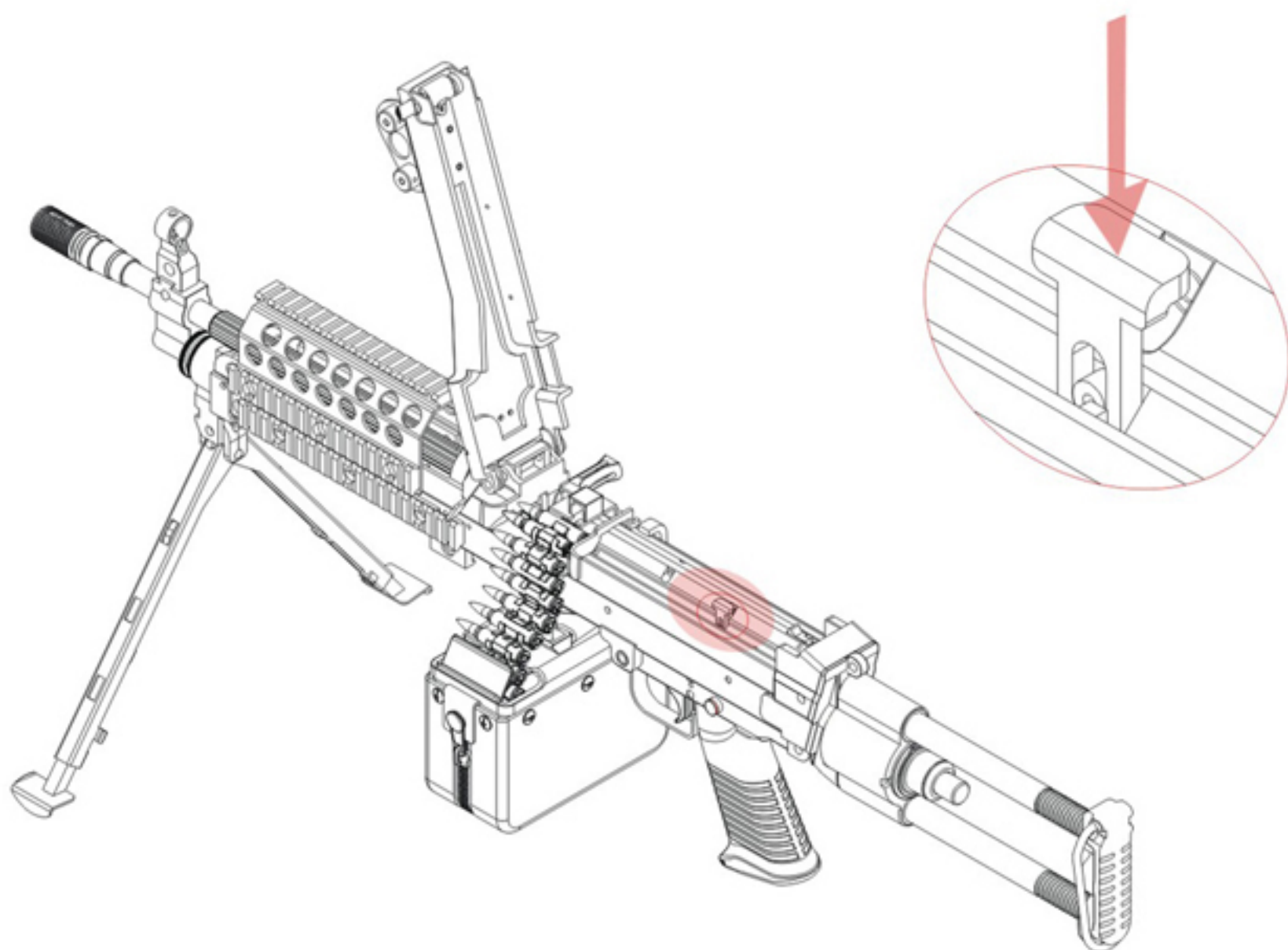
GEAR BOX INSTALLATION



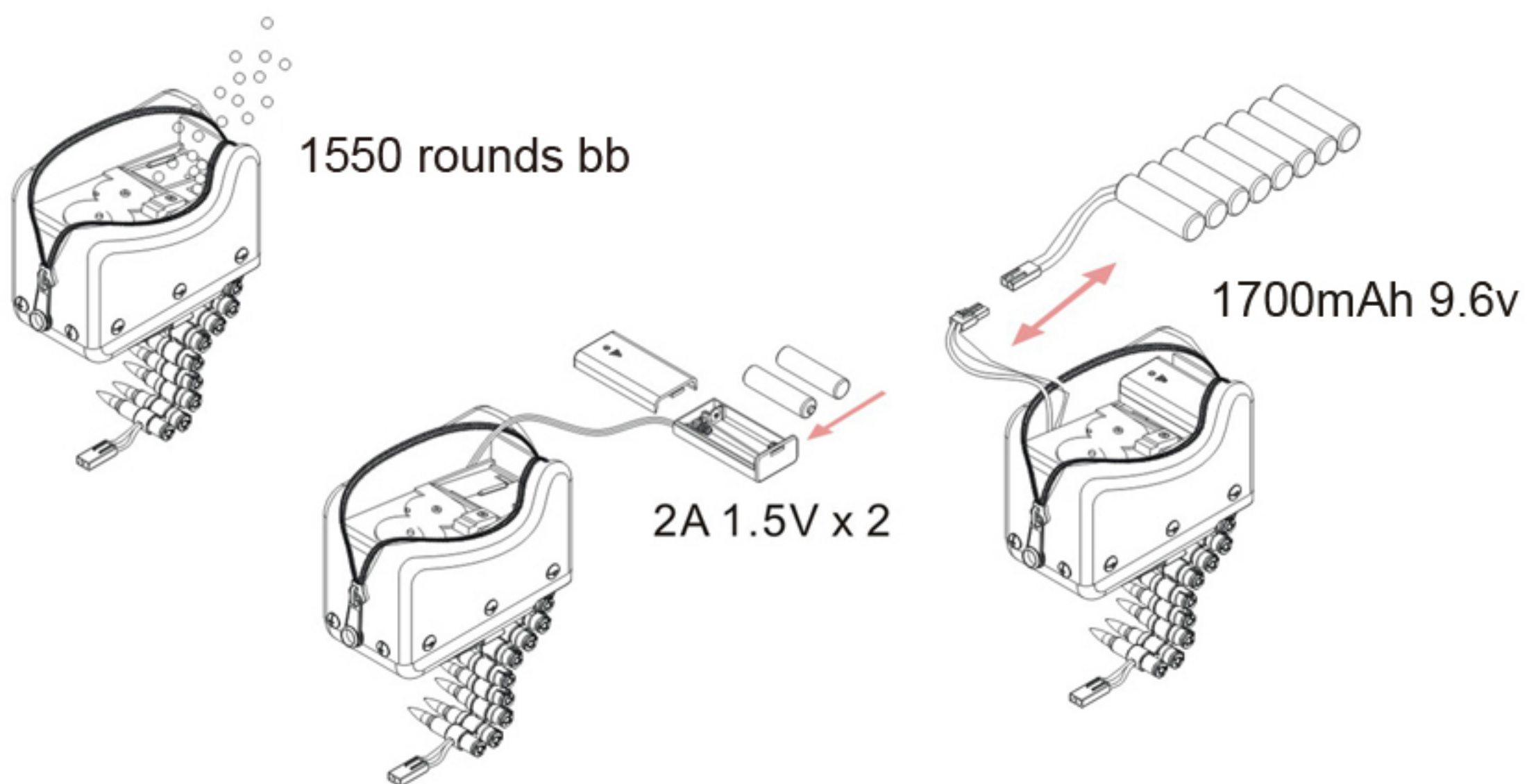
MAIN POWER CONNECTION



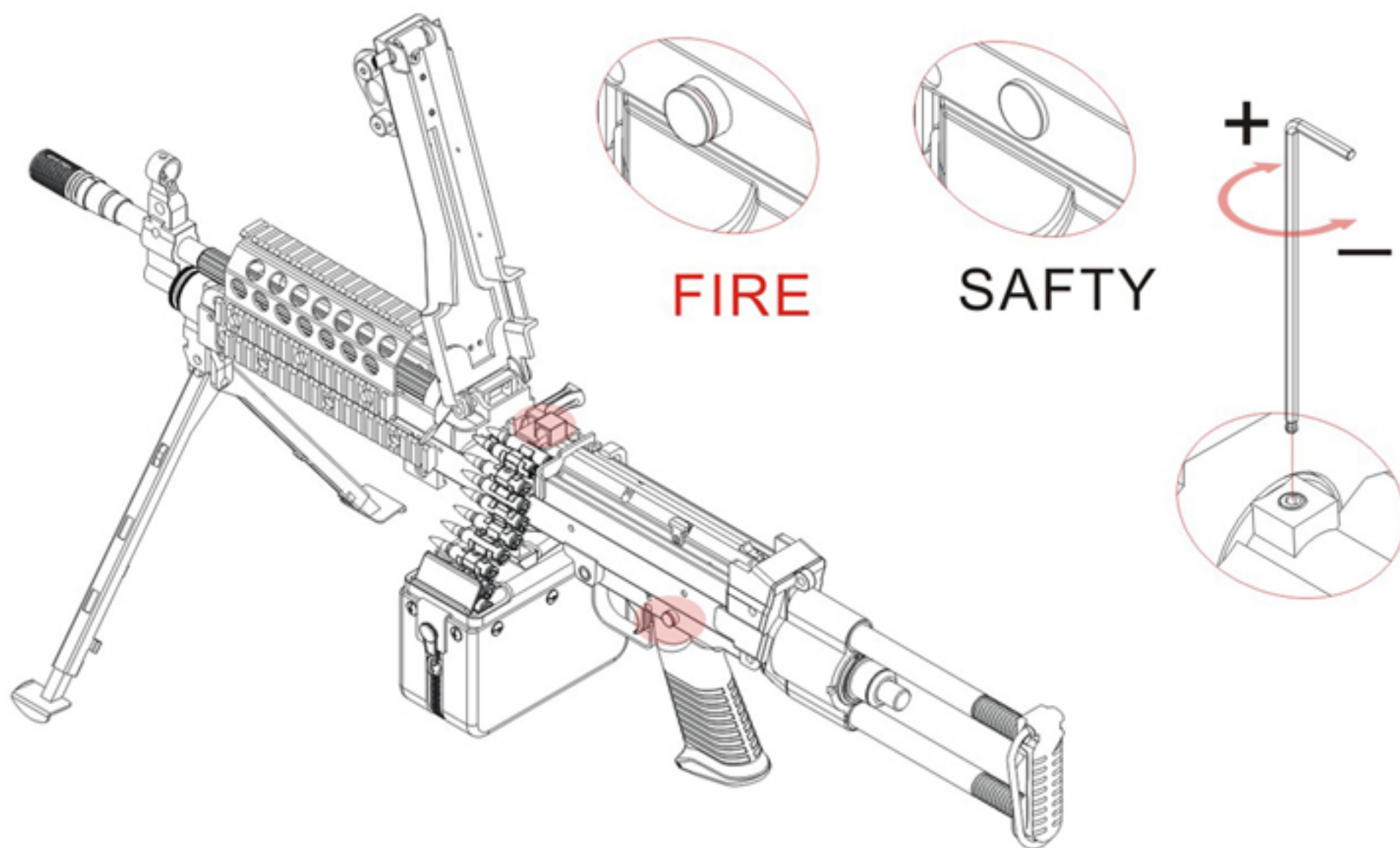
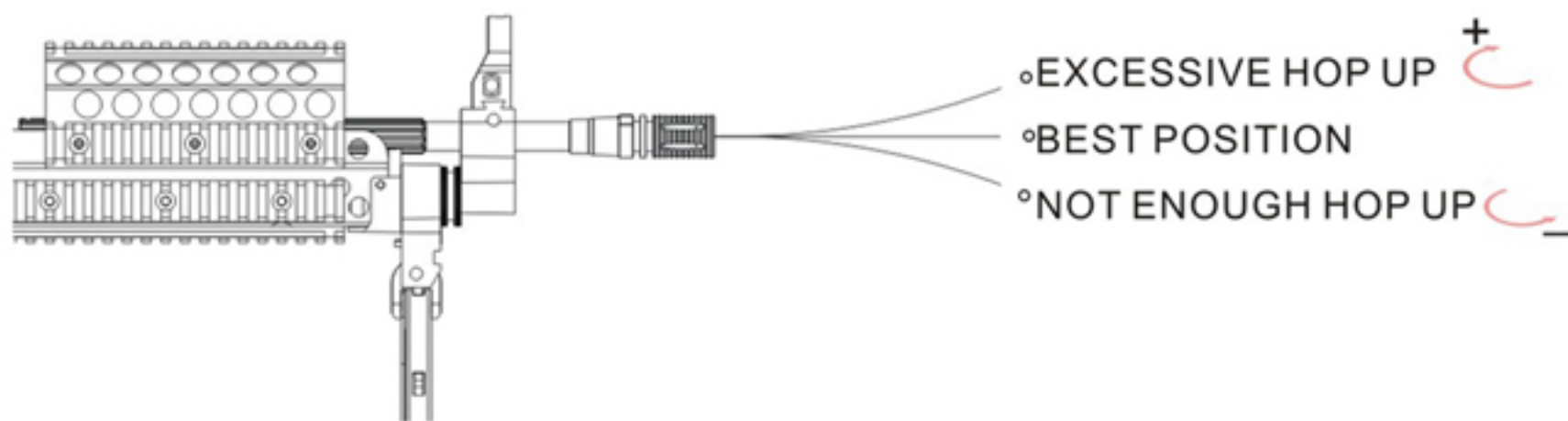
SPRING RELEASE



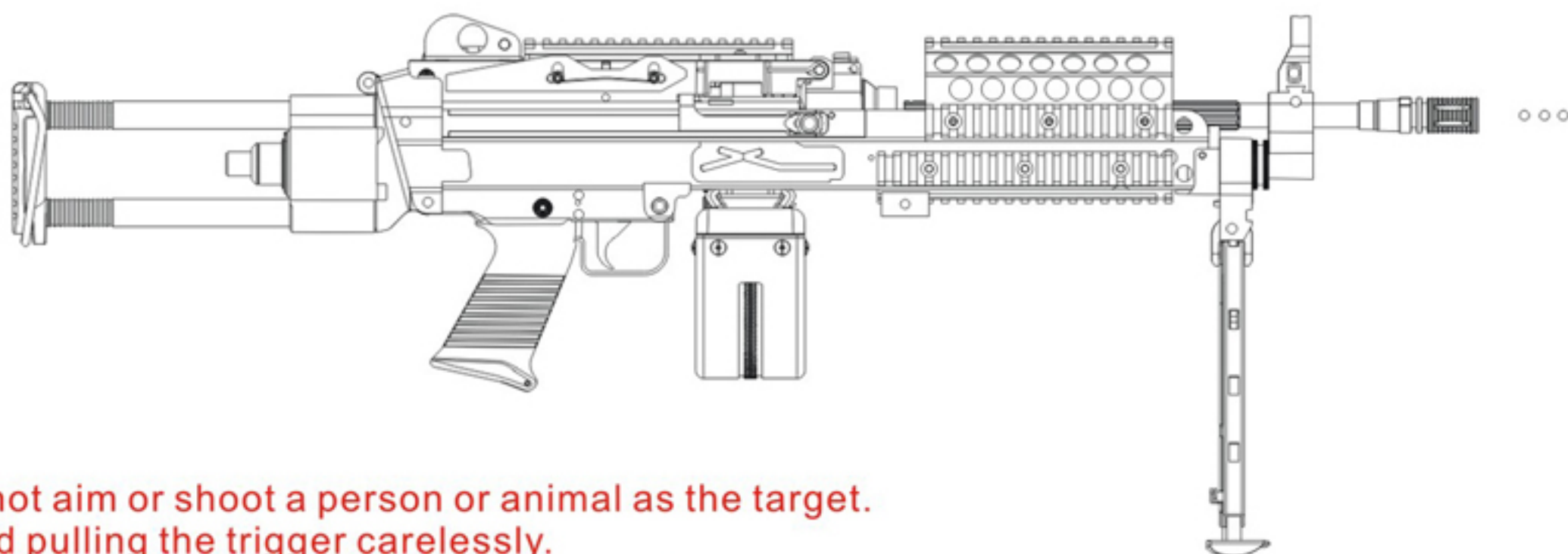
BATTERY AND BB INSTALLATION



HOP-UP ADJUSTMENT



WARNING



- . Do not aim or shoot a person or animal as the target.
- . Avoid pulling the trigger carelessly.
- . Always put the gun in a case or bag when you carrying it.
- . Always set the switch lever to the safety position.
- . Do not look into the gun muzzle.
- . Always wear eye protective gear.
- . Store the airsoft gun at the places out of reach by children.
- . Do not disassemble or modify the airsoft gun.

Data of MK-46 SPW Electric Gun

Material: Nylon Fiber and Aluminum Alloy

Hop-Up System: Adjustable

Length: 790 / 920mm (stock extended)

Weight: 3750g (net weight)

Barrel Length: 345mm

Magazine Capacity: 1550 rounds

Bullet: 6mm BB Bullets

Battery: 9.6v Battery 1700mAh

Motor: High Torque Flat Motor



STAR
AIRSOFT ACCESSORIES
www.starairsoft.com