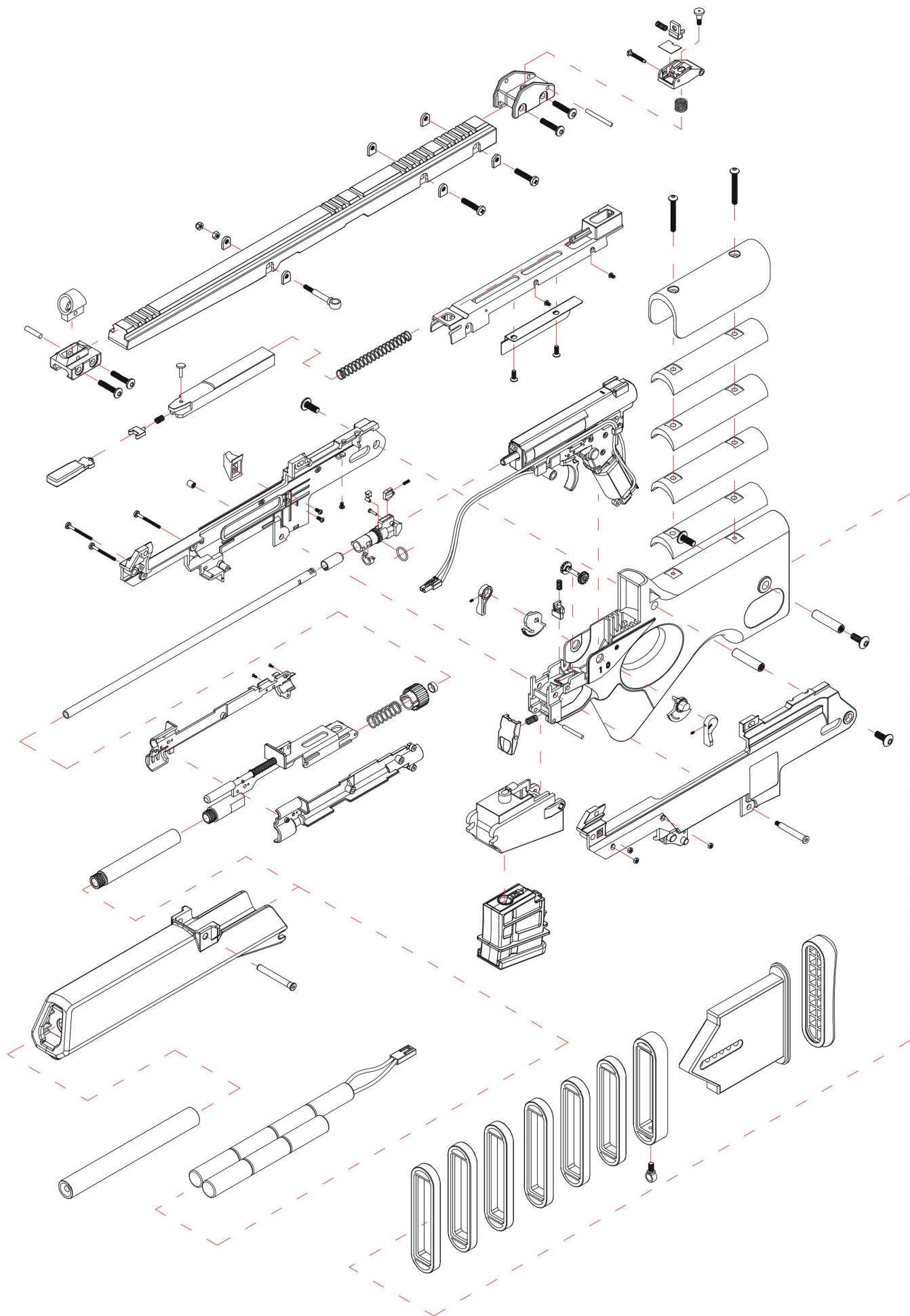
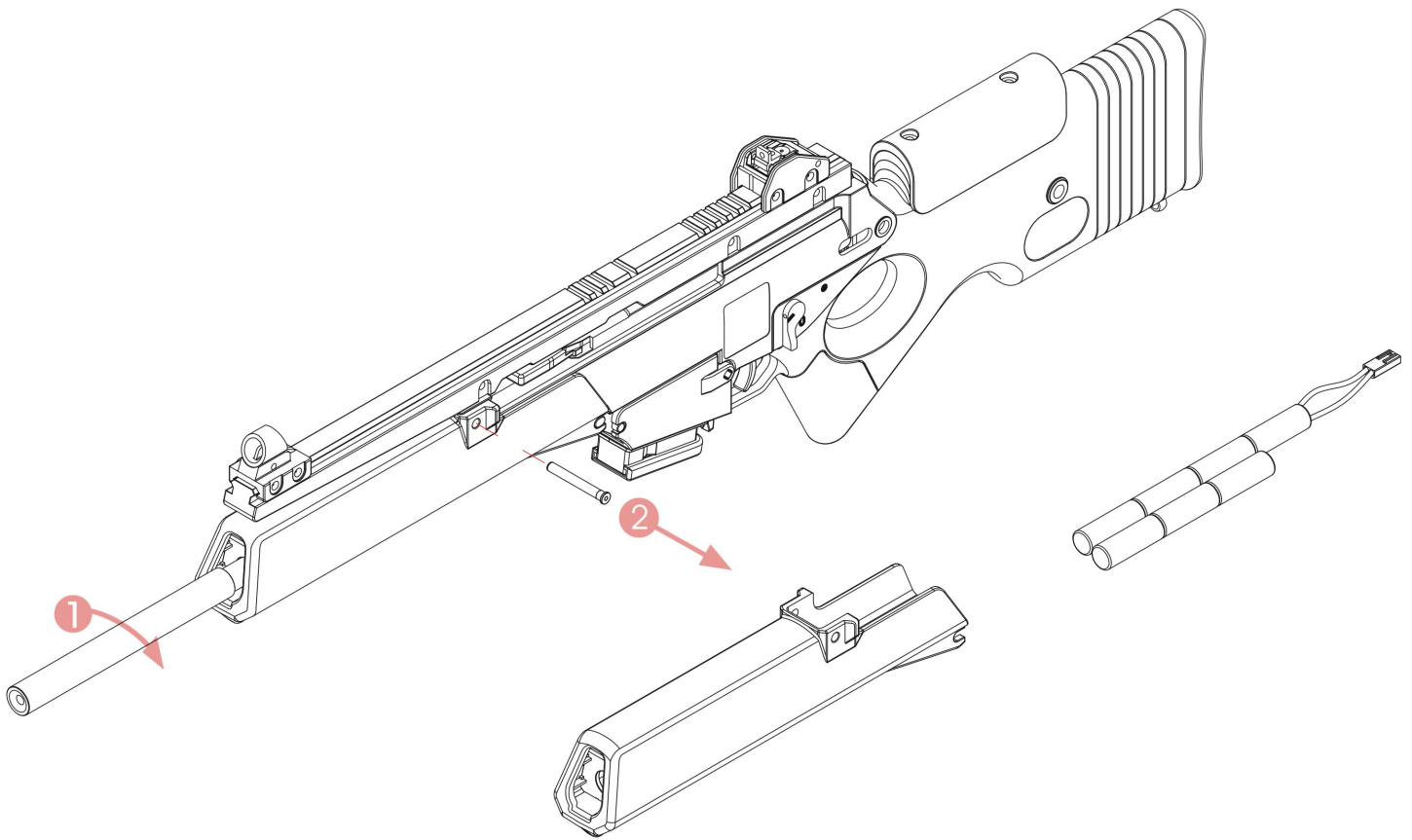


# STAR HK SL-8

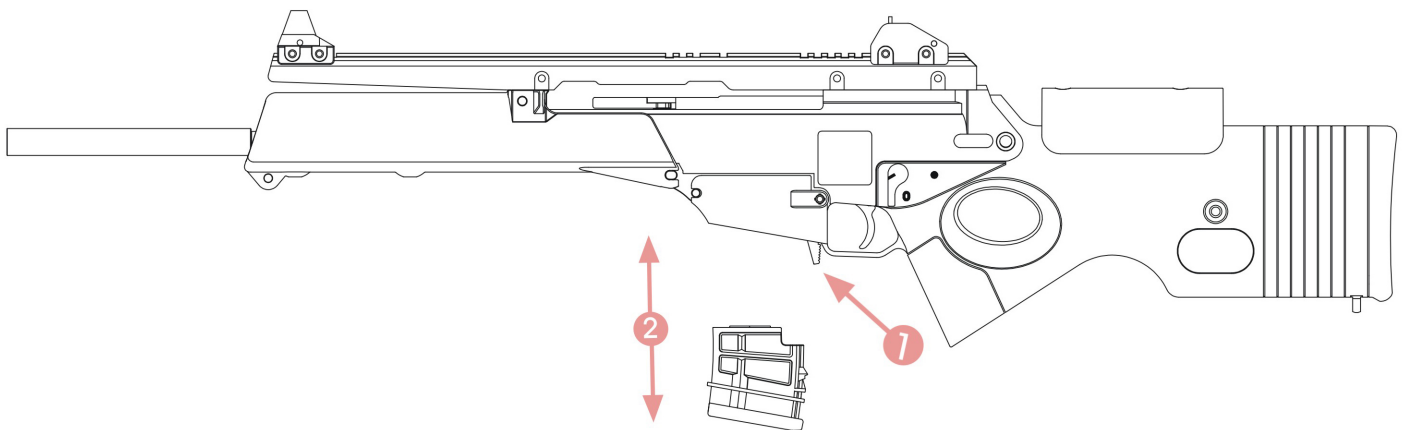


# Insert the battery

Use the specified battery for your gun.  
8.4V 1700mAh

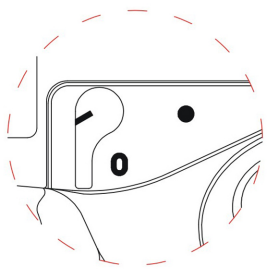


# Setting the magazine

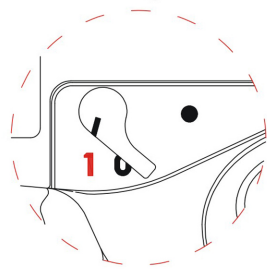


# Firing mode

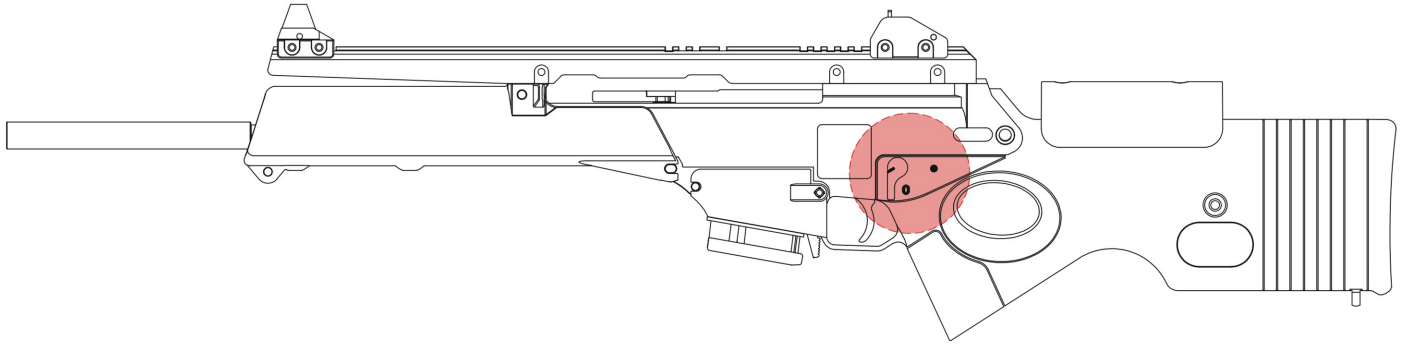
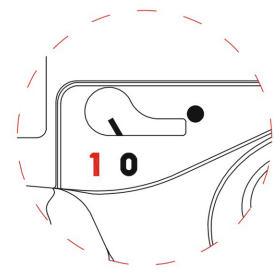
Auto



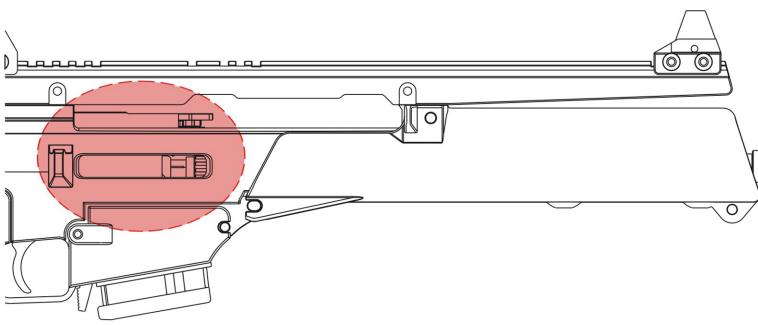
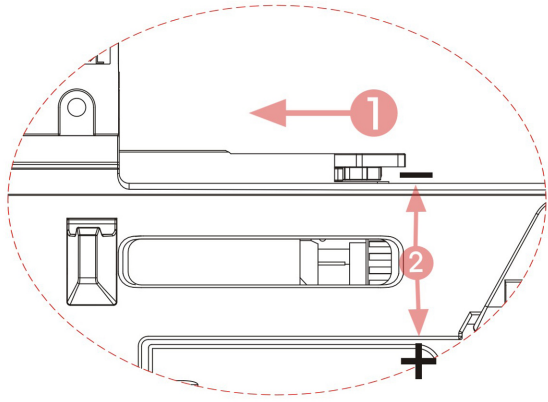
Single



Safety



# Hop-up adjustment

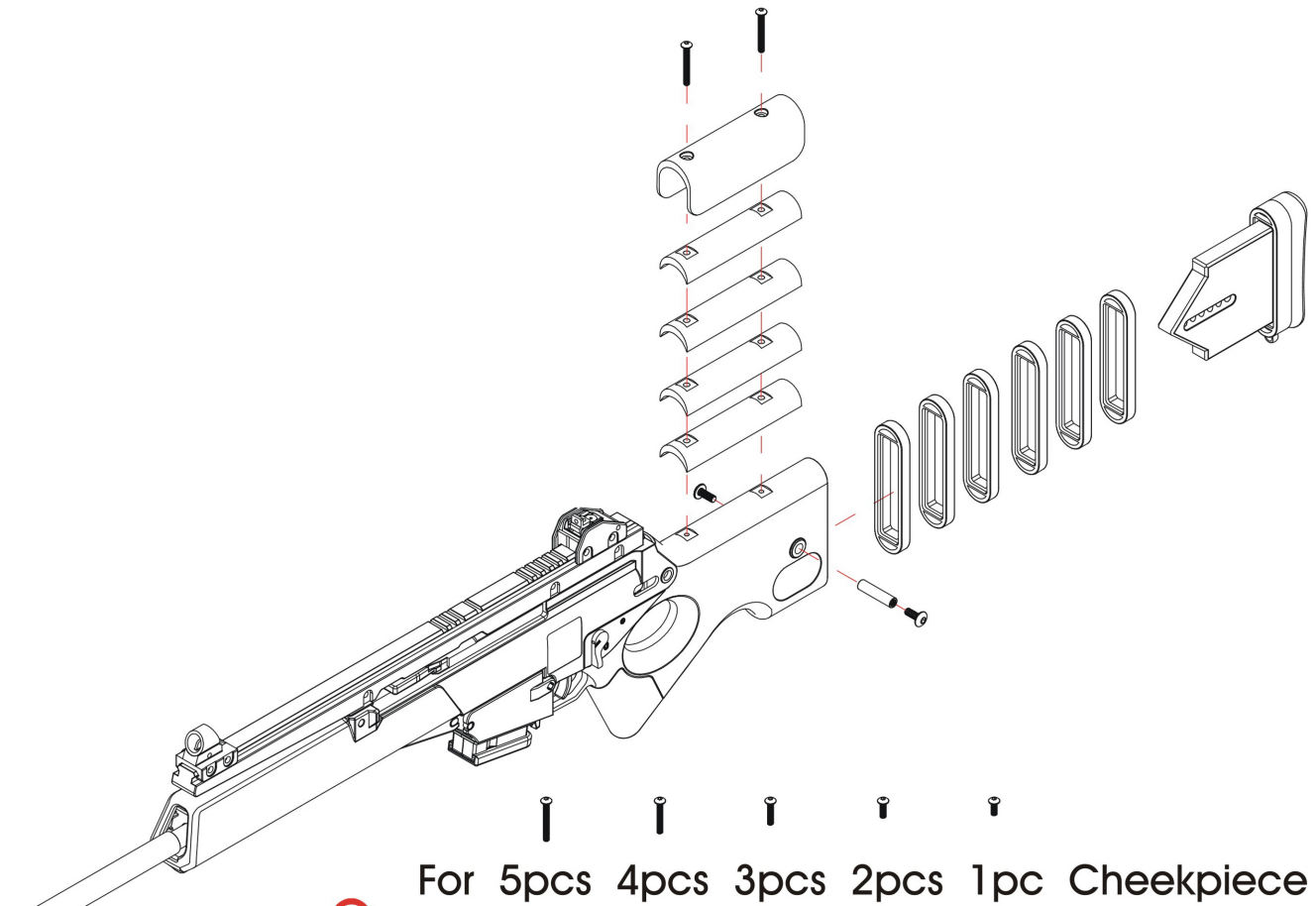


EXCESSIVE HOP UP —

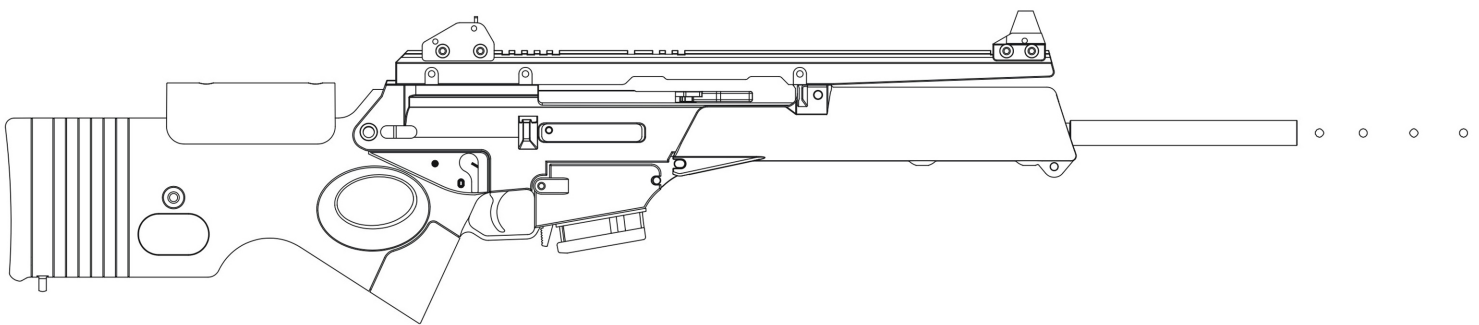
BEST POSITION ○

NOT ENOUGH HOP UP +

# Butt Pad & Cheekpiece Adjustment



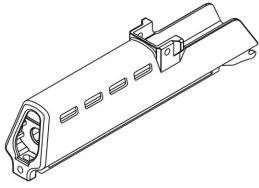
## WARNING



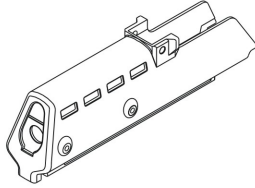
- .Do not aim or shoot a person or animal as the target.
- .Avoid pulling the trigger carelessly.
- .Always put the gun in a case or bag when you carrying it.
- .Always set the switch lever to the safety position.
- .Do not look into the gun muzzle.
- .Always wear eye protective gear.
- .Store the airsoft gun at the places out of reach by children.
- .Do not disassemble or modify the airsoft gun.

# Optional accessories

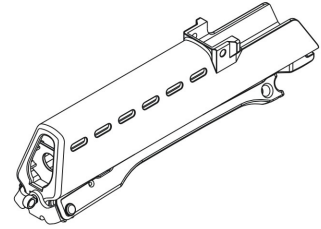
G36KE real size  
Handguard



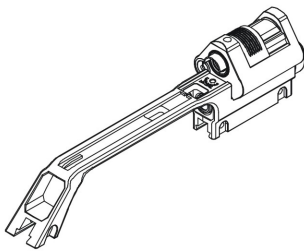
G36KE over size  
Handguard



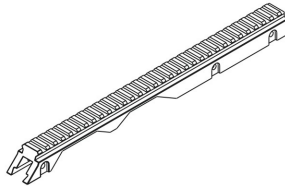
G36 real size  
Handguard with Bipod



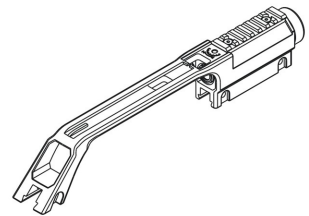
G36 Dual Sighting Handle



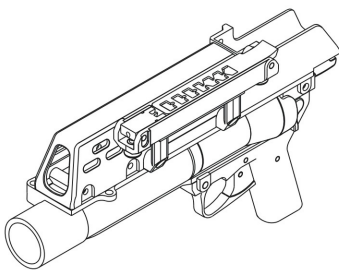
G36 Rail Mount Base



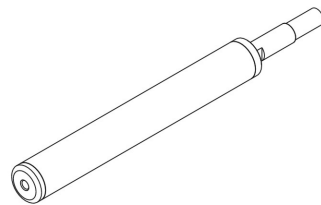
G36K Scope with Rail



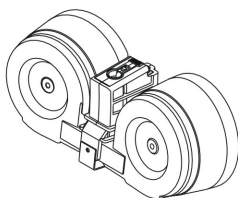
Ag36 Grenade Launcher



Sound Suppressor



2000 Rds C-Mag



470 Rds Mag



140 Rds Mag



PDF por Sniper  
Matadores Airsoft Club  
[www.matadoresairsoft.com](http://www.matadoresairsoft.com)

# **DATA OF STAR SL-8 ELECTRIC GUN**

**MATERIAL: NYLON FIBER & ZINC ALLOY**

**HOPUP SYSTEM: ADJUSTABLE**

**LENGTH: 980-1030MM**

**WEIGHT:3400G**

**MAGAZINE CAPACITY: 20 ROUNDS**

**BULLET: 6MM BB BULLETS**

**BATTERY: 8.4V 1700MAH**

**MOTOR: HIGH TORQUE FLAT MOTOR**

  
**AIRSOFT ACCESSORIES**  
[www.starairsoft.com](http://www.starairsoft.com)