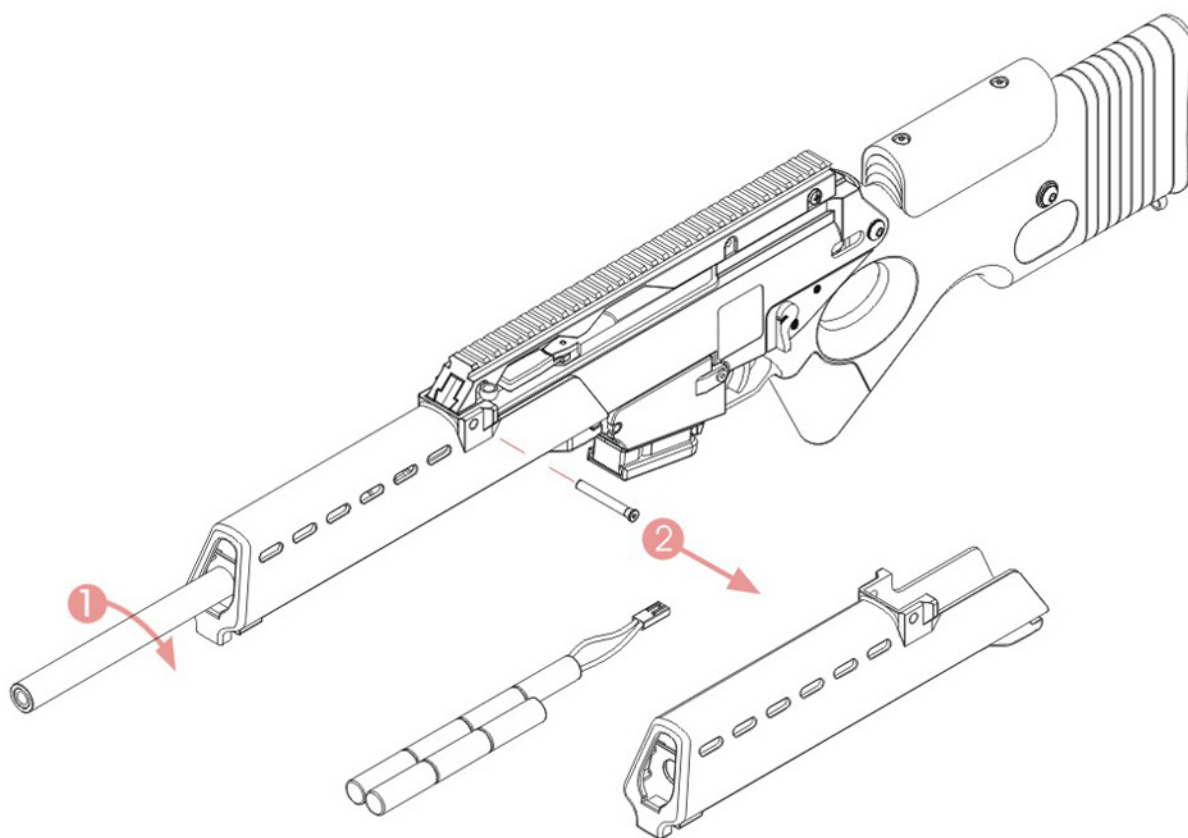
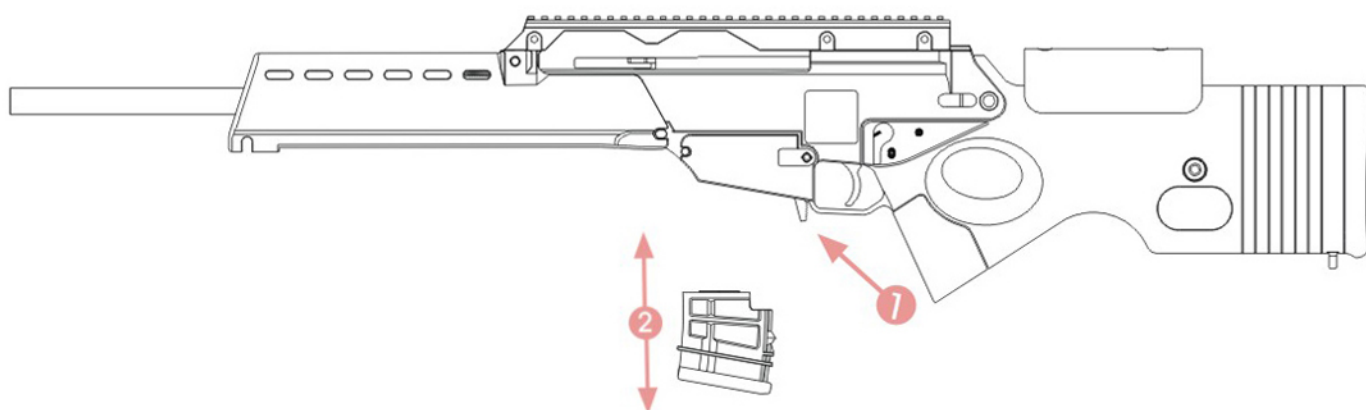


Insert the battery

Use the specified battery for your gun.
8.4V 1700mAh

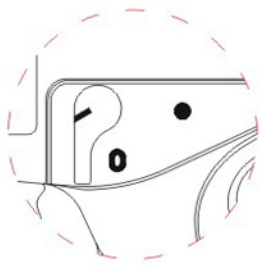


Setting the magazine

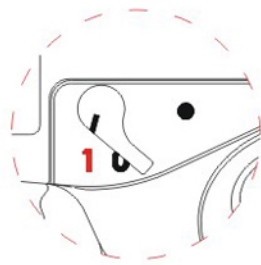


Firing mode

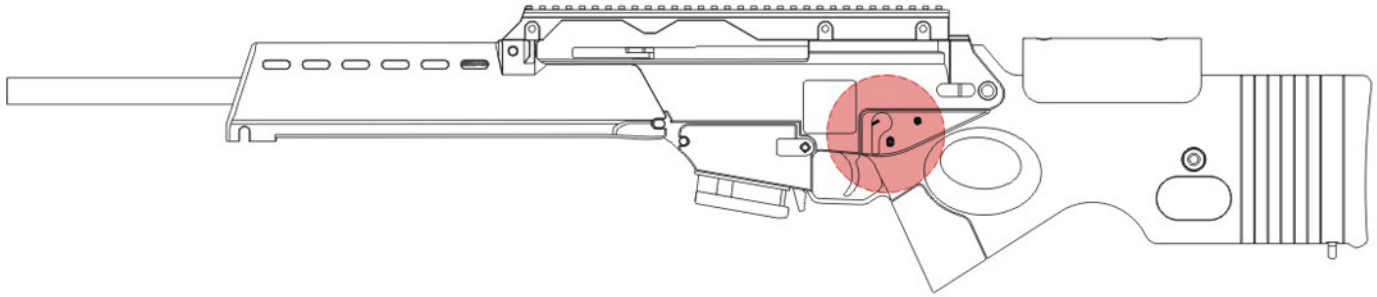
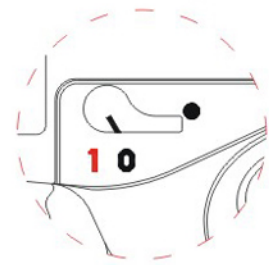
Auto



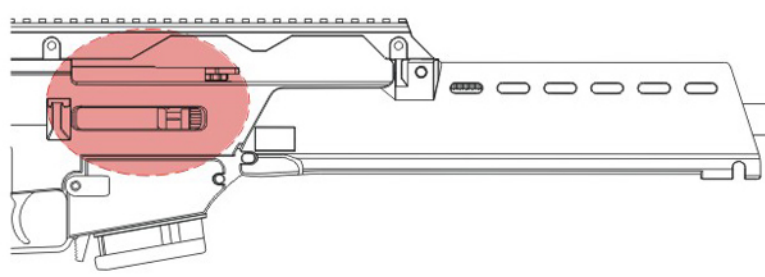
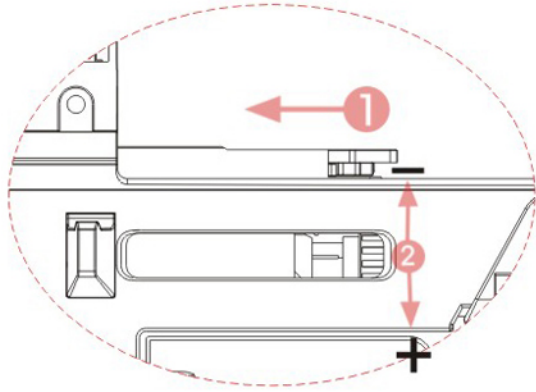
Single



Safety



Hop-up adjustment

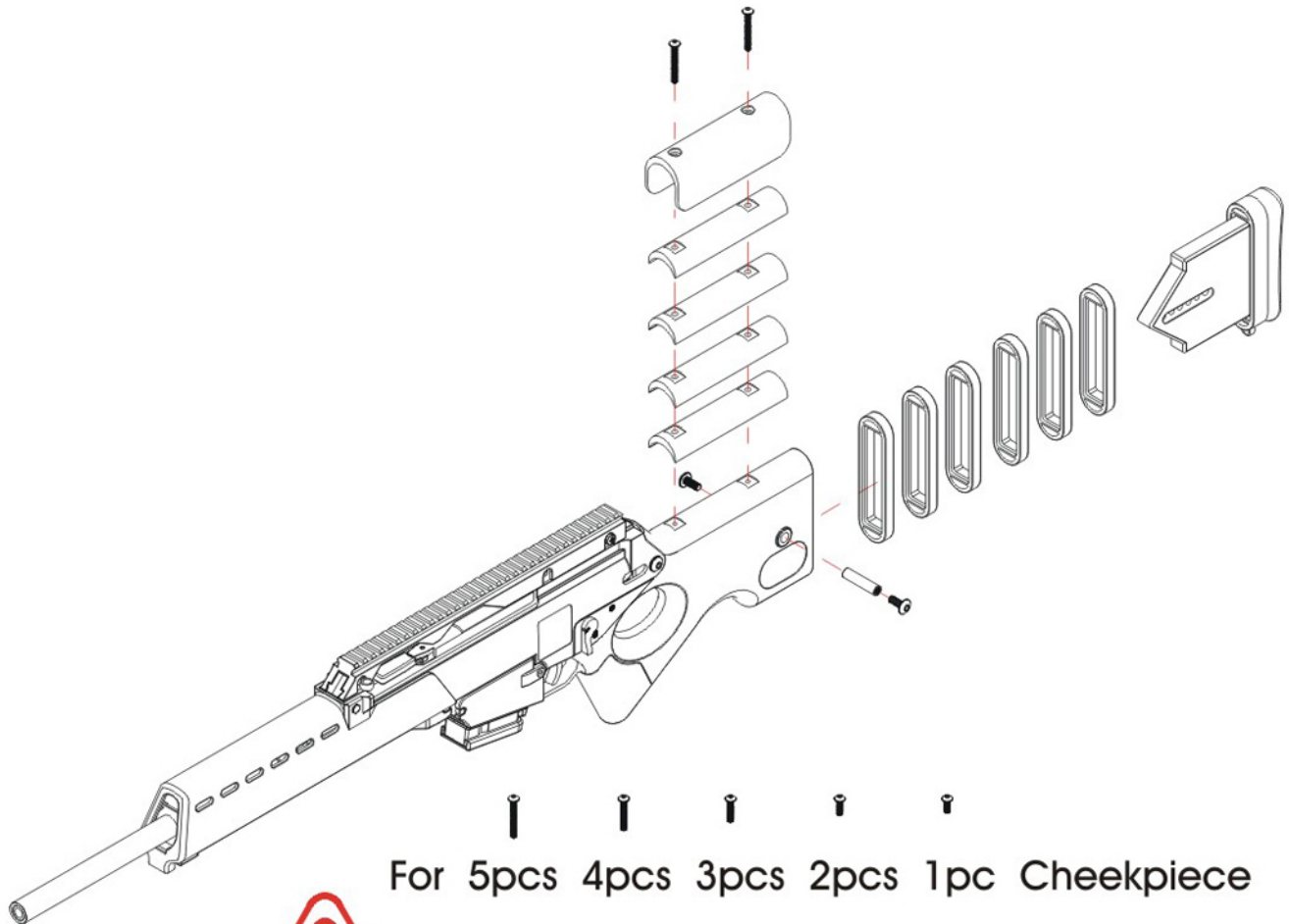


EXCESSIVE HOP UP —

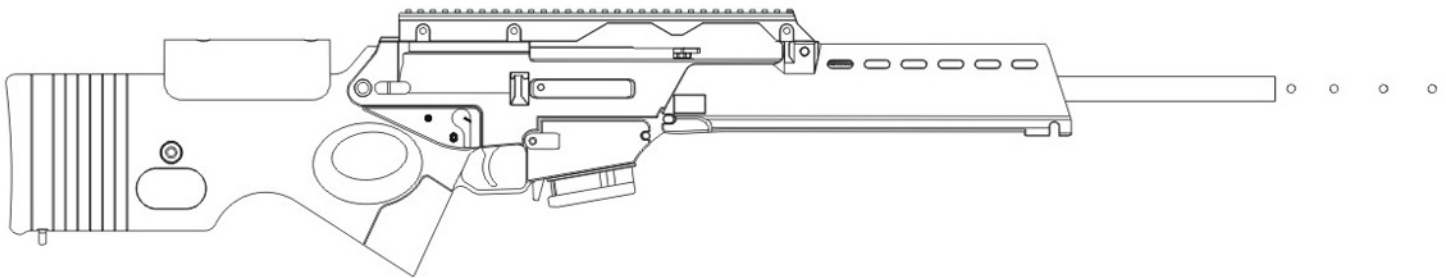
○ BEST POSITION

NOT ENOUGH HOP UP +

Butt Pad & Cheekpiece Adjustment



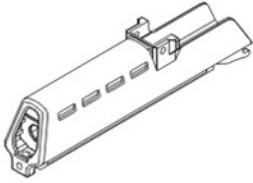
WARNING



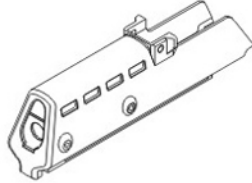
- .Do not aim or shoot a person or animal as the target.
- .Avoid pulling the trigger carelessly.
- .Always put the gun in a case or bag when you carrying it.
- .Always set the switch lever to the safety position.
- .Do not look into the gun muzzle.
- .Always wear eye protective gear.
- .Store the airsoft gun at the places out of reach by children.
- .Do not disassemble or modify the airsoft gun.

Optional accessories

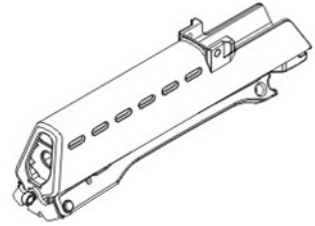
G36KE real size
Handguard



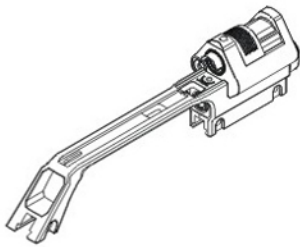
G36KE over size
Handguard



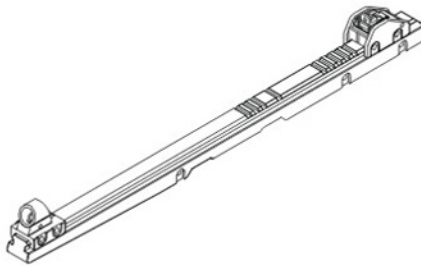
G36 real size
Handguard with Bipod



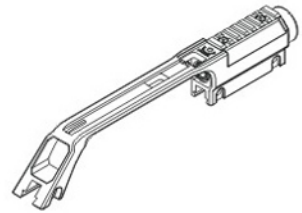
G36 Dual Sighting Handle



SI-8 Long Sight Rail



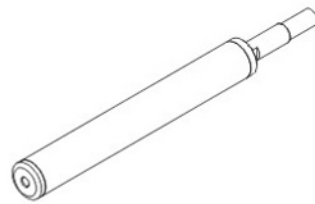
G36K Scope with Rail



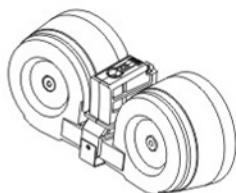
Ag36 Grenade Launcher



Sound Suppressor



2000 Rds C-Mag



470 Rds Mag



140 Rds Mag



DATA OF STAR SL-9 ELECTRIC GUN

MATERIAL: NYLON FIBER & ZINC ALLOY

HOPUP SYSTEM: ADJUSTABLE

LENGTH: 980-1030MM

WEIGHT:3300G

MAGAZINE CAPACITY: 20 ROUNDS

BULLET: 6MM BB BULLETS

BATTERY: 8.4V 1700MAH

MOTOR: HIGH TORQUE FLAT MOTOR

