

OPERATOR'S MANUAL

SW99-01

SNIPER'S RIFLE

12. 7-MM. SW99-01



SNOW WOLF

使用说明书 INSTRUCTION

Handling Cautions and Instruction Manual of Automatic Airsoft Gun"SW99-01".

18 岁以上使用
FOR AGES 18 YEARS AND UP



WARNING!

Only adults in or above 18 years old can purchase. Children under 18 years old should operate under the guardianship of parents or legal guardianship..
Observe warnings and cautions written in your operating manual. OBEY all laws and regulations on proper airgun handling in your area.



警告 WARNING

THIS PRODUCT IS FOR TRAINING PURPOSE ONLY



CHOKING HAZARD

Contain small parts.
KEEP AWAY FROM SMALL CHILDREN



18岁或以上

For ages 18 years and up.

Only adults in or above 18 years old can purchase. Children under 18 years old should operate under the guardianship of parents or legal guardianship.

必须是18岁或以上的人才能购买。低于18岁的人必须在父母或合法监护人的监管下操作使用。



必须保护眼睛和身体

Eye protection required!

ALWAYS wear eye and body protection to prevent injury. Do not fire at hard surface to prevent ricochet.

必须总是戴上眼保护和身体保护装置来预防受伤。不要向硬表面开枪以便防止子弹从地面弹起。



熟读说明书

Read instruction manual before operating!

Observe warnings and cautions written in your operating manual. OBEY all laws and regulations on proper airgun handling in your area.

遵守操作手册上的警告和注意事项。务必遵守你所在地区对汽枪正确使用所做出的法律和规定。

CAUTION 注意

READ THE SAFETY RULES BEFORE
HANDLING THE "SW99-01" RIFLE!

■ **操作前必读的一本手册** ■

Always read through this manual before operation

SW99-01

Handling Cautions and Instruction Manual of
Automatic Airsoft Gun "SW99-01".

3X9X50E

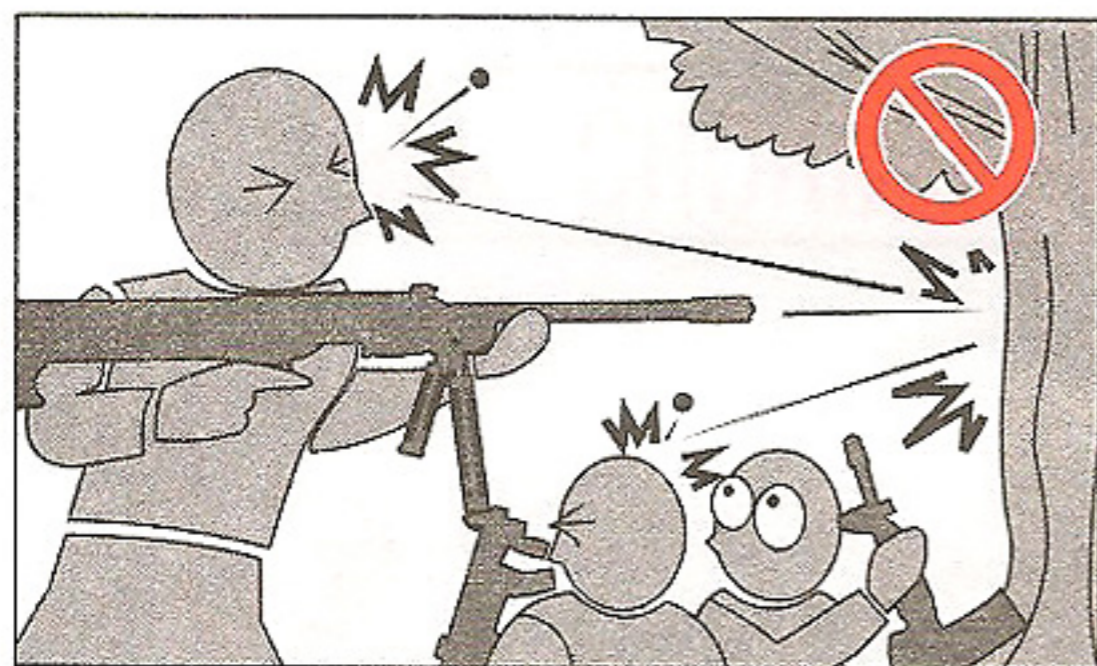
3X9X50



可选配件 OPTIONAL PARTS	参数 PARAMETER	附加功能 ADDITIONAL FUNCTION
3X9X50E	∅50 3X9	加消光筒，加光电瞄准 Add extinction tube and add Electro-optical aiming
3X9X50	∅50 3X9	_____

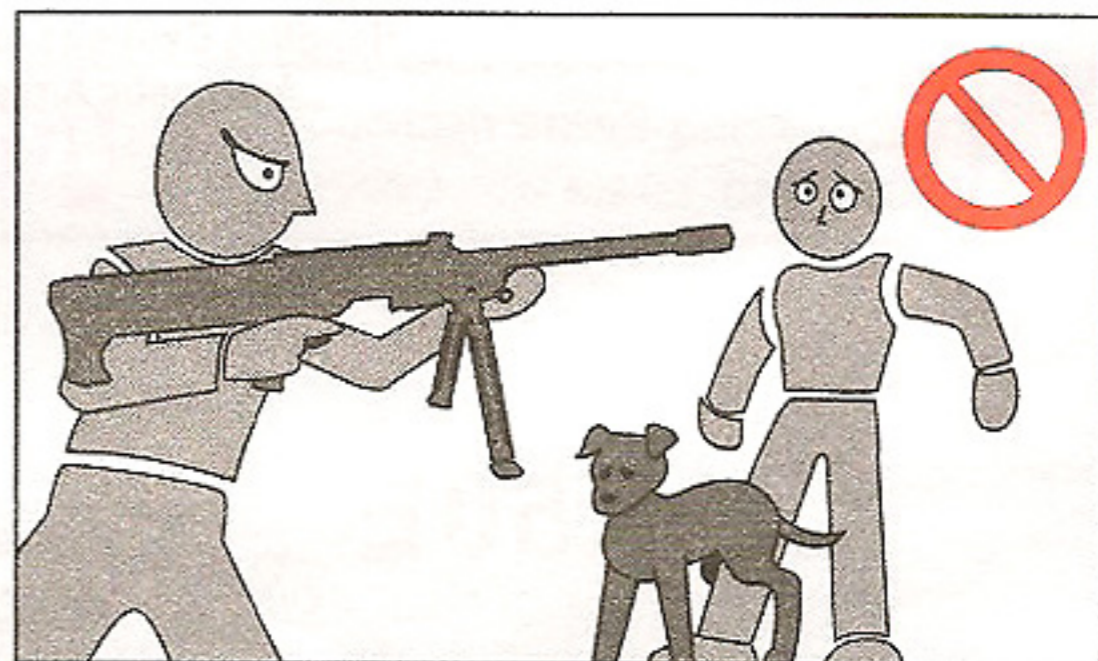


1 注意事项 REGULATION



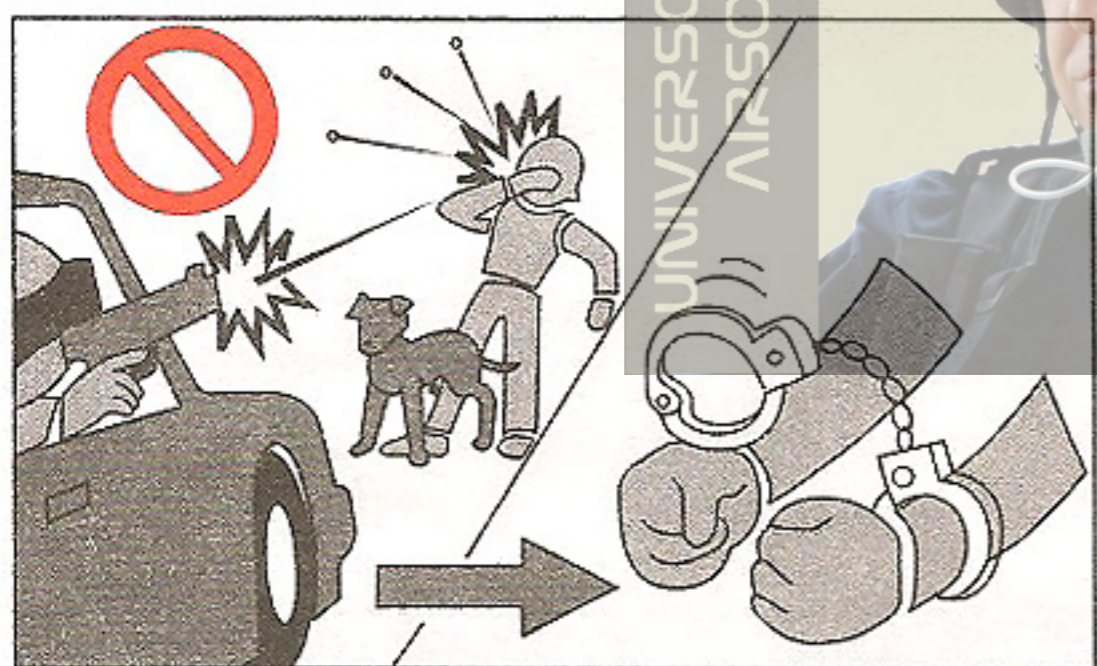
When shooting the Airsoft Gun for a target or game, you and all participants must wear goggles or other eye protective gear, also paying attention to ricochets. (Pay sufficient attention also to third personnel other than participants.)

在射击软汽枪或游戏时，你和所有参与选手都必须戴上护眼镜或其他保护眼睛的装置，同时注意跳弹。（须尤其注意第三方而非参与选手）



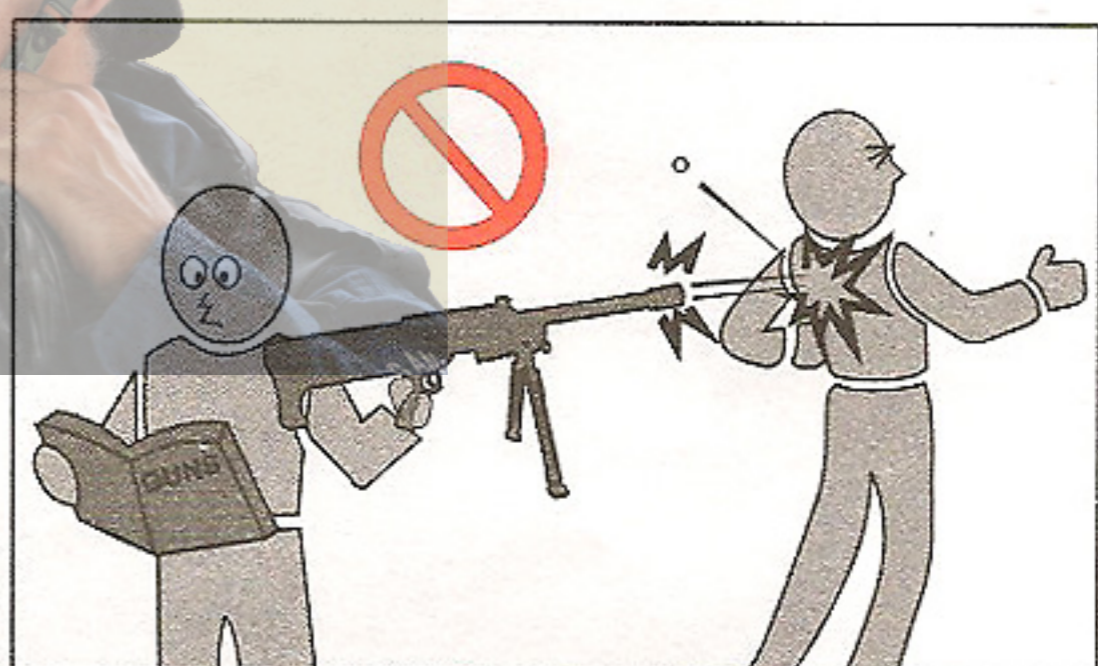
Never aim or shoot a person or animal as the target, Always attach the protective plug to the muzzle, except when you are ready to shoot a target.

不要瞄准或射向人或动物。除了你准备射击之外，你必须总是将保险处于安全的状态。



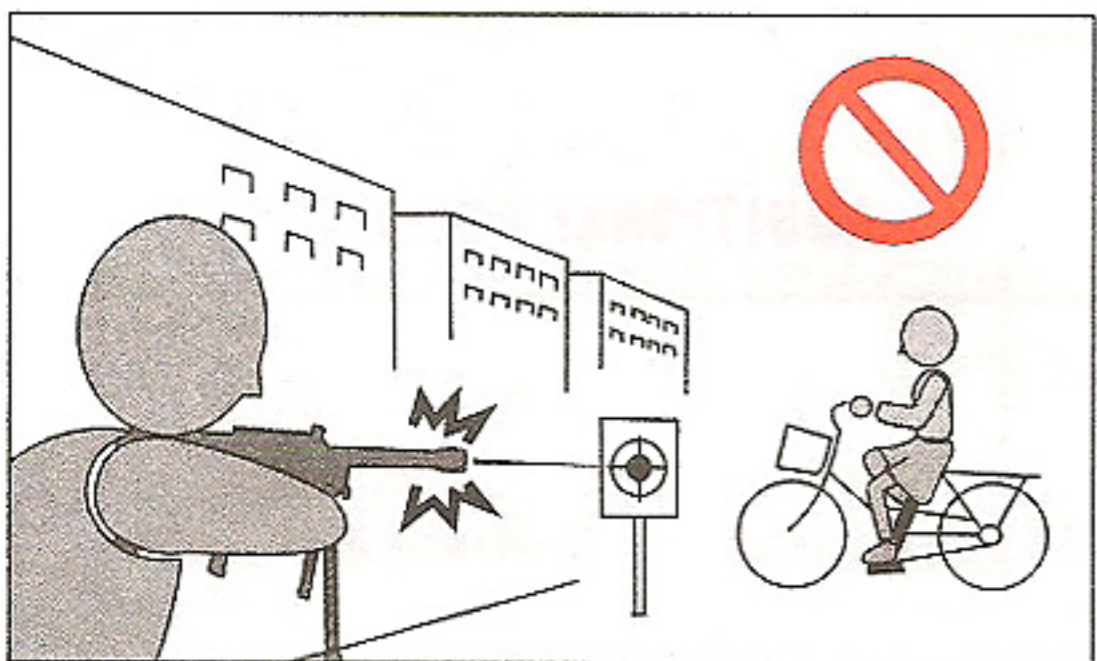
You may be punished if you are shooting for a practical joke.

如果你射击时搞恶作剧，你将会受到惩罚。



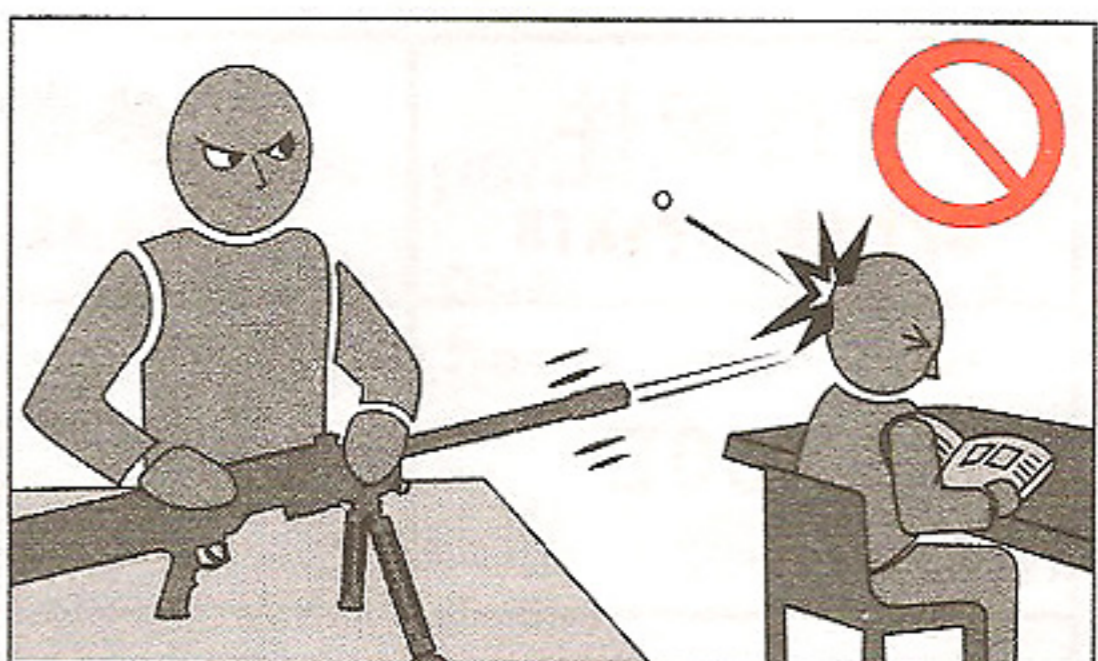
Avoid pulling the trigger carelessly.

避免不小心扣动扳机。



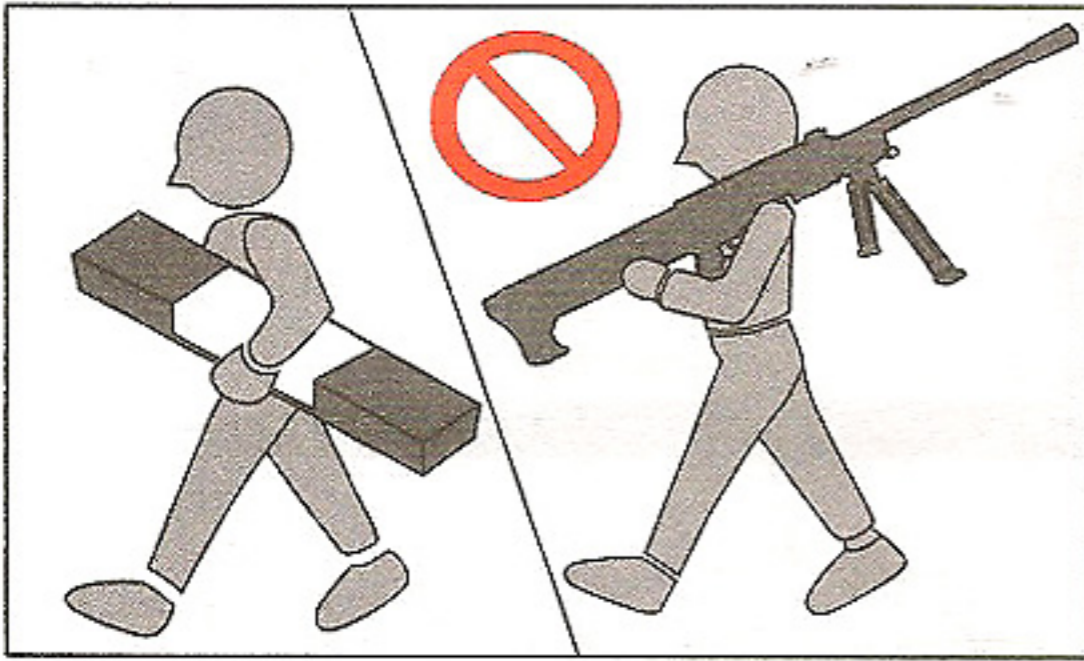
Never shoot the Airsoft Gun at places where people and cars pass cross.

不要将软汽枪射向人和车经过的地方。



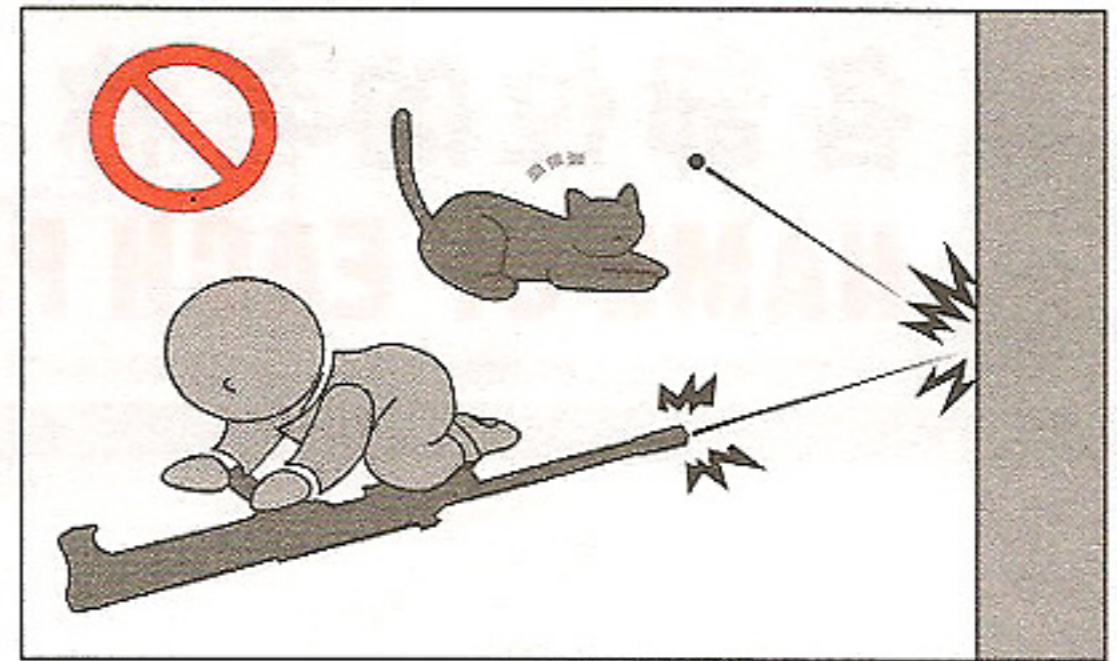
Always direct the muzzle towards a safe direction.

总是将枪口指向一个安全的方向。



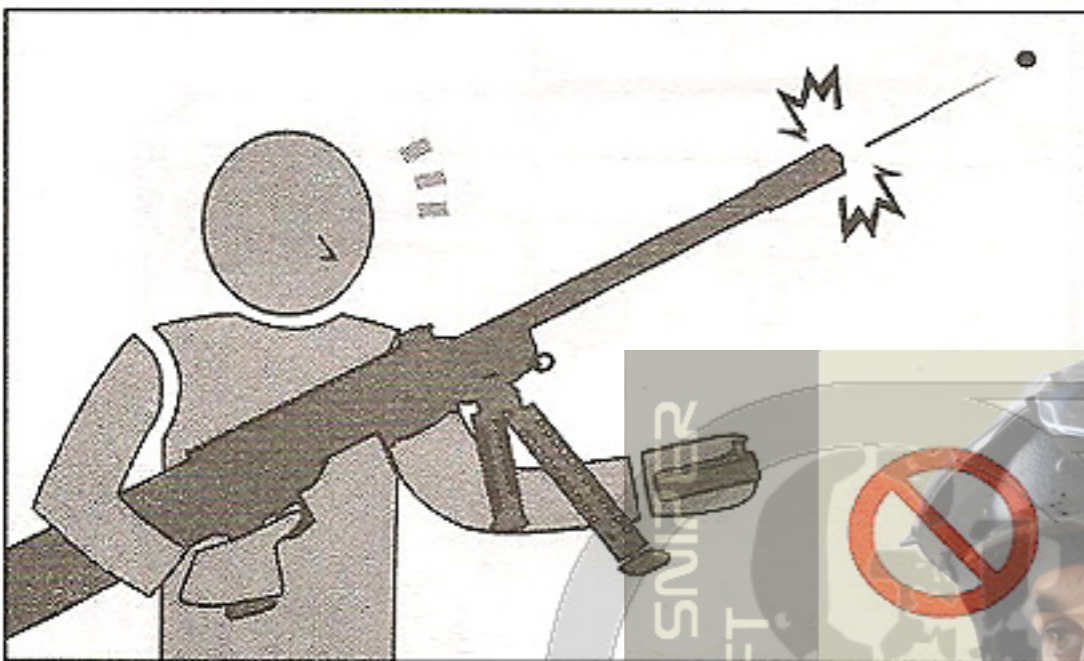
Always put the Airsoft Gun in a case or bag when you are carrying it.

当运输时，总是将软汽枪放在一个盒子里或一个袋子里。



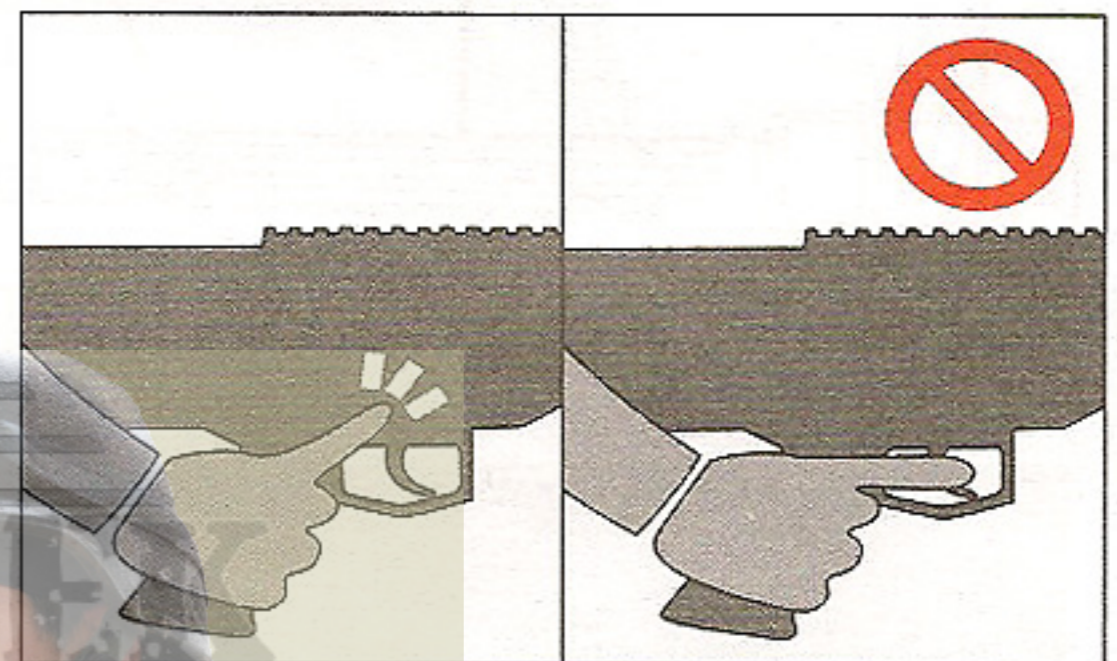
Store the Airsoft Gun at places out of reach by children

将软汽枪储存在小孩够不着的地方。



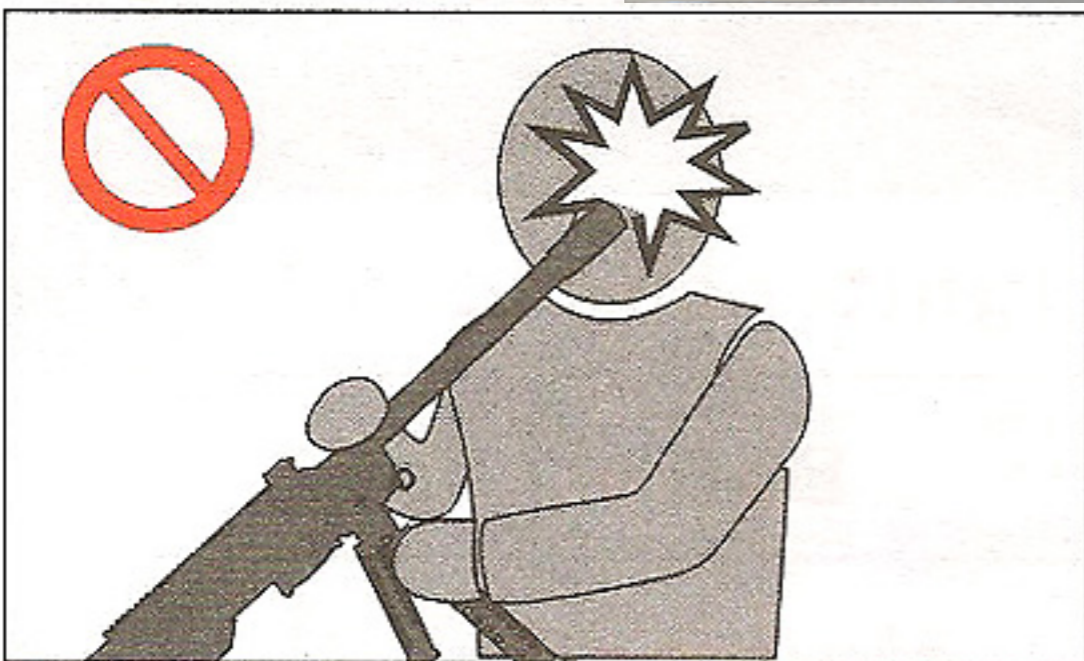
BB bullets may be shot out even if the magazine is removed.

即使弹匣被除掉，BB弹也可以会射出。



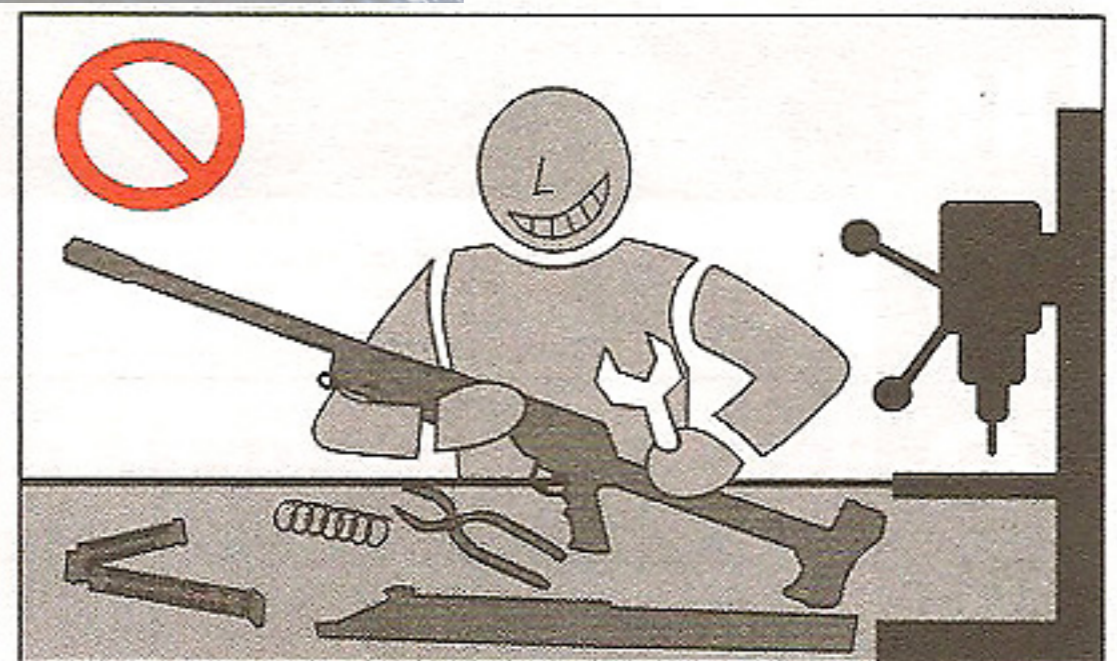
Release and put away your fingers from the trigger, except when you are ready to shoot a target.

除非你准备射击，否则就要释放软汽枪并将手指从扣扳机移开。



Never look into the gun muzzle.

不要往枪口里面望。



Never disassemble or modify the Airsoft Gun.

不要拆卸或修改软汽枪。



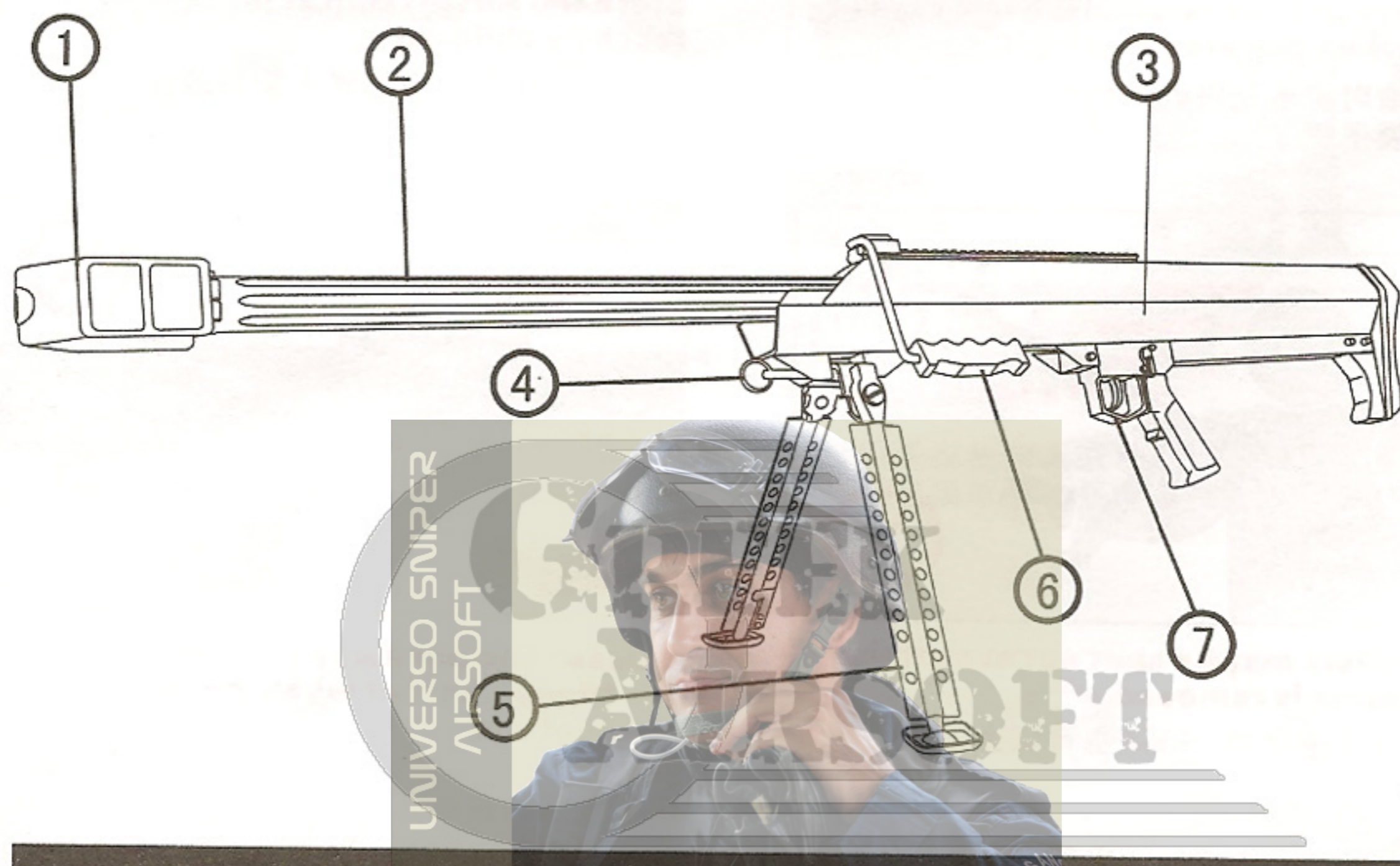
Observe warnings and cautions written in your operating manual. OBEY all laws and regulations on proper airgun handling in your area.

遵守操作手册上的警告和注意事项。务必遵守你所在地区对汽枪正确使用所做出的法律和规定。

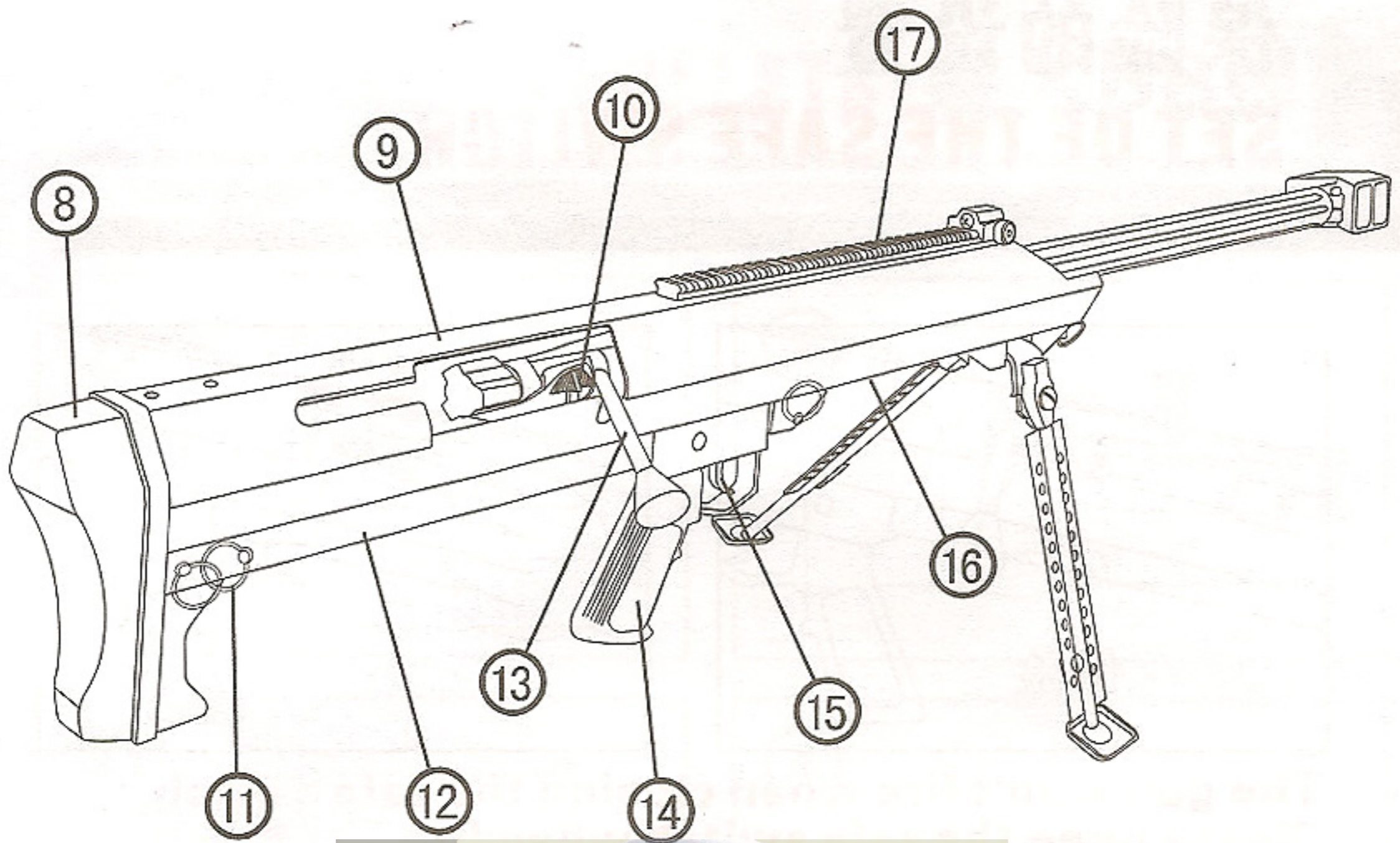


2

各部位的名称 NAME OF EACH PART



NO.	名 称	
①	火帽	Igniter capsule
②	枪管	Barrel
③	下主体	Main body
④	支架插销	Rack bolt
⑤	支架	Rack
⑥	提手	Handle
⑦	扳机座	Trigger seat

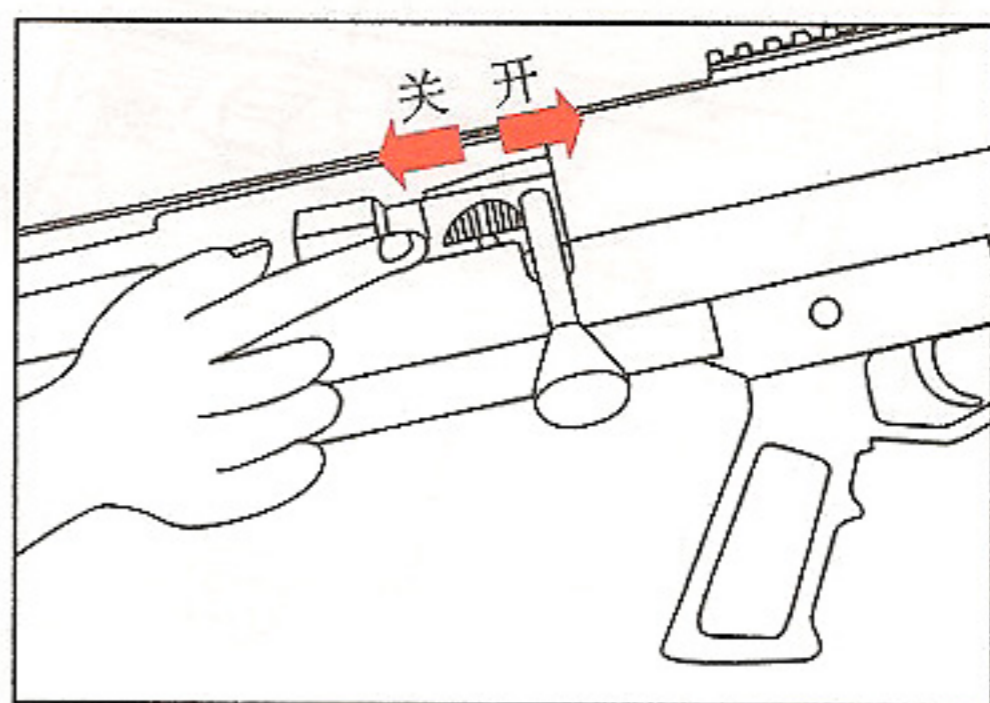
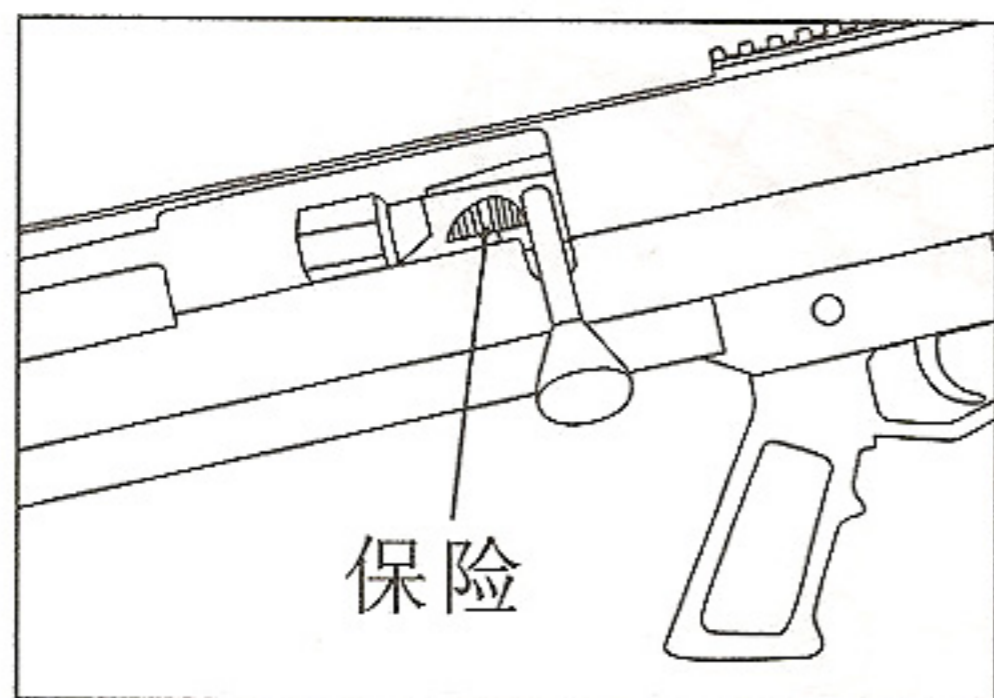


NO.	名称	
⑧	后托	Back support
⑨	主体上盖	Cover of the main body
⑩	保险	Safe switch
⑪	分解销钉	Decomposition nail
⑫	扳机件滑座	Sliding stand of the trigger
⑬	枪栓	Gun bolt
⑭	手把	Handle
⑮	扳机	Trigger
⑯	装弹座	Bullet loading stand
⑰	战术鱼骨	Tactical fish bone



3

保险的设置 SET OF THE SAFE SWITCH

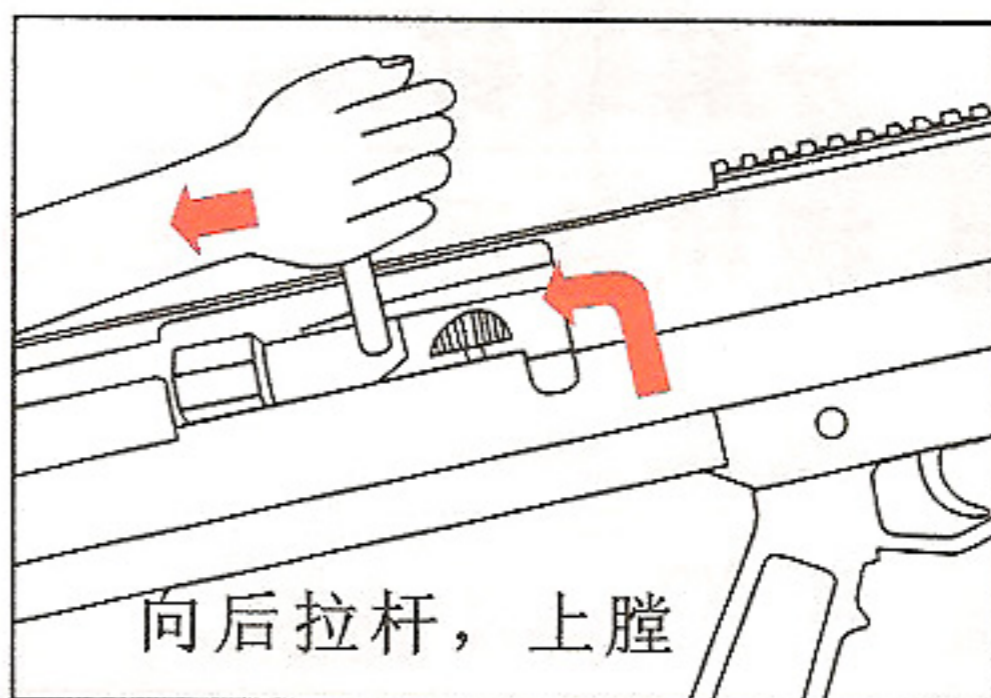
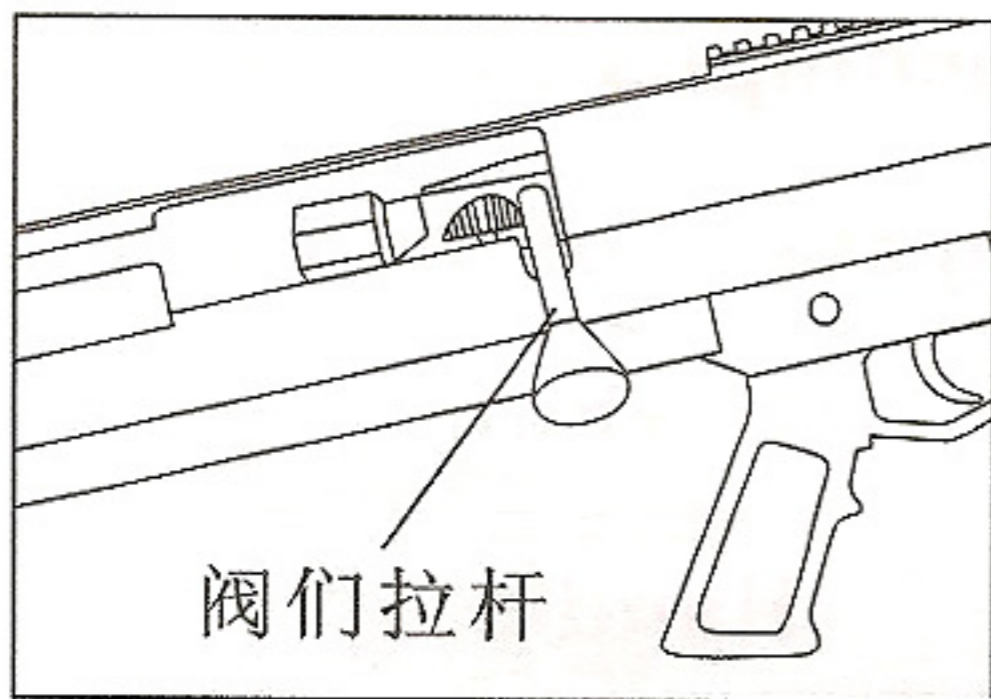


The gun won't fire when closing the safe switch. Please open the safe switch when fire. Please close the safe switch when you don't need to fire or you need to store it.

保险关上时，枪将无法射击。要射击时必须将保险打开。当不要射击或要储藏的时候，请将保险关上。

4

上膛 LOADING

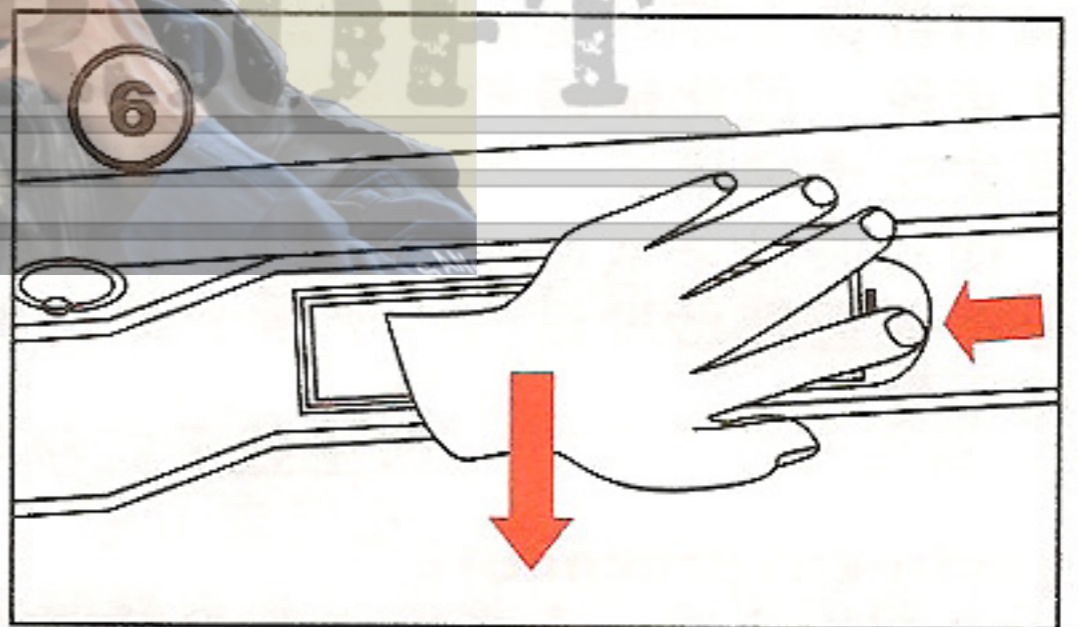
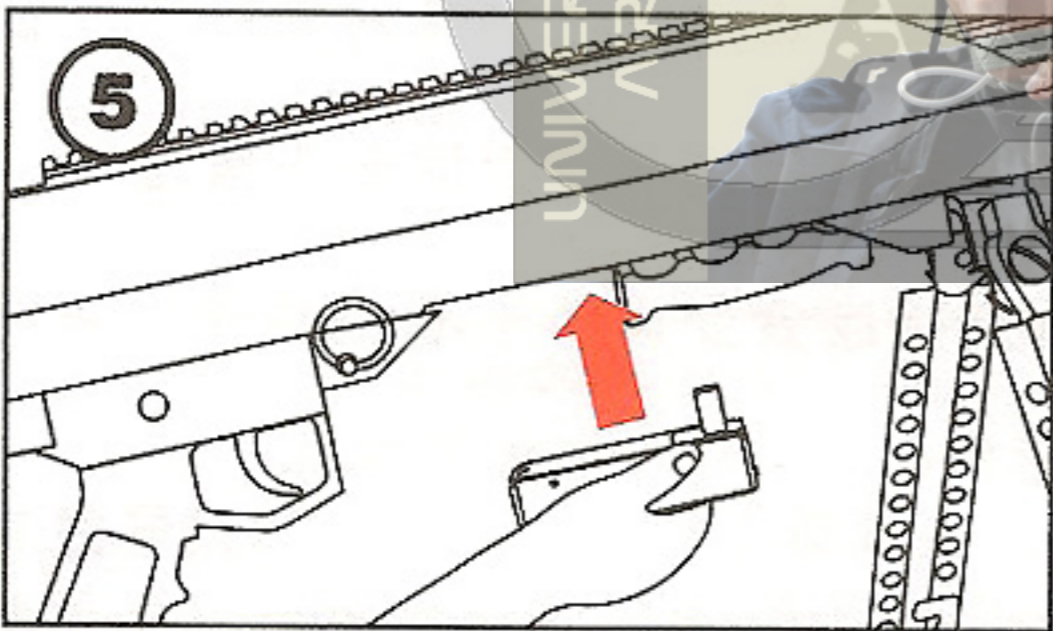
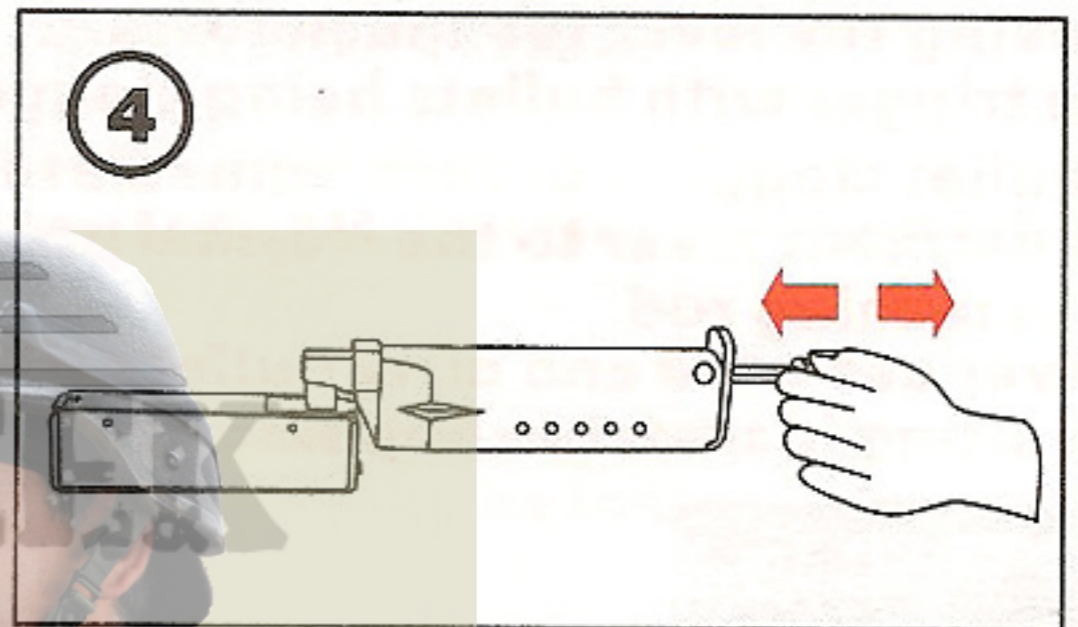
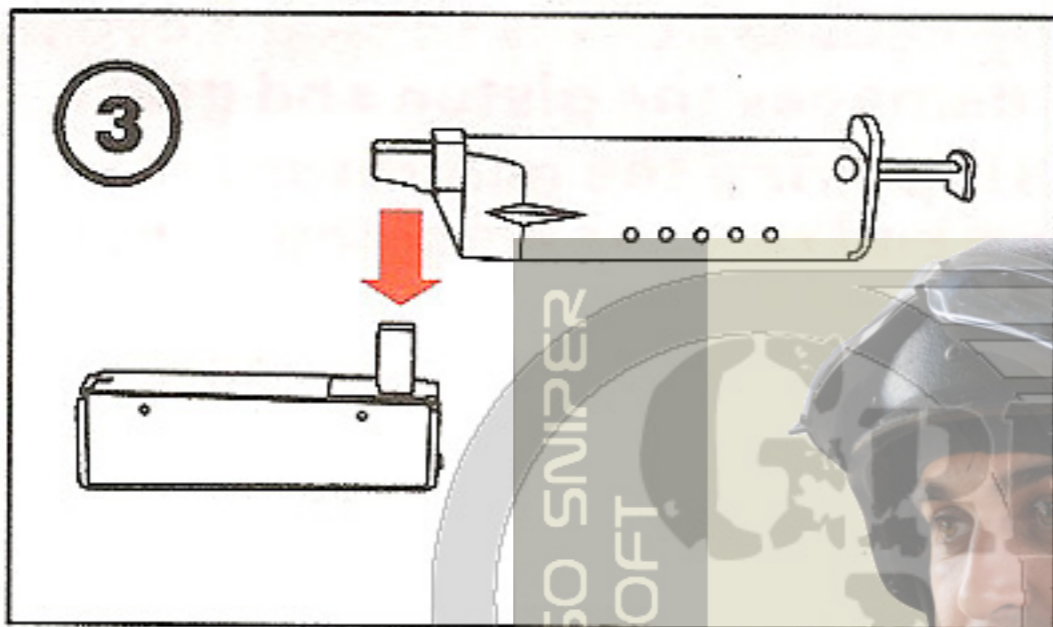
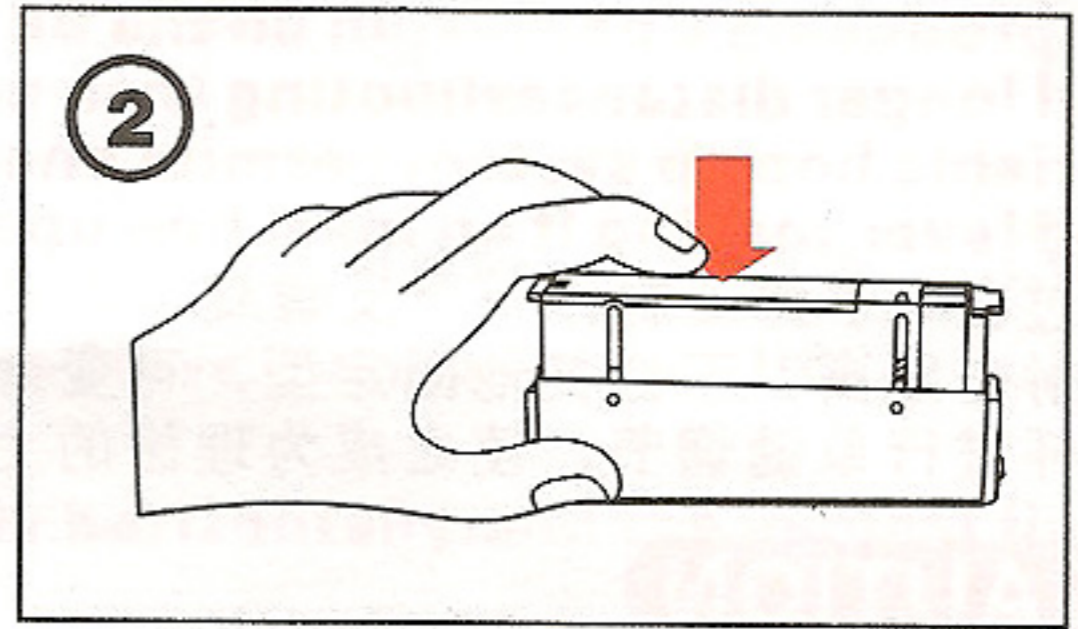
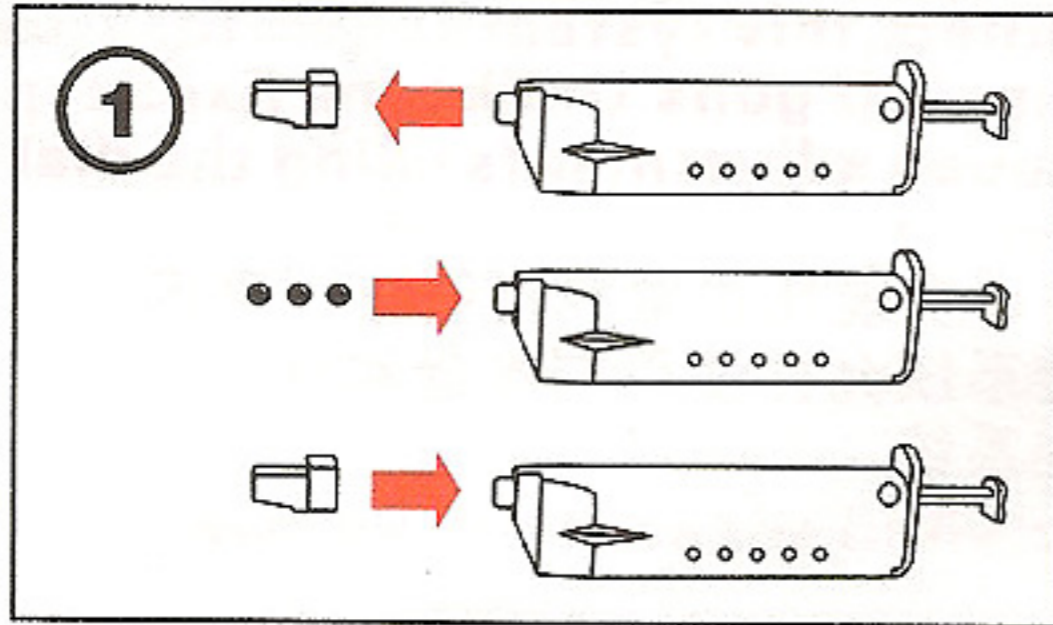


Pull the valve backward until it sends out the sound of carbazole and this time finish loading. When finish loading, please pull the handle back into position and this time you can fire.

把阀门拉杆向后拉，直到发出“咔嚓”的声音就完成上膛，上膛完成，拉手复位。可以射击了。

LOAD BB BULLETS 装入BB弹

5



1. Pull out the BB ball applicator connection and load BB bullet and then install back the applicator connection
2. Press down the magazine of the gun by hand.
3. Connect the magazine with the BB ball applicator connection.
4. Pull and push back and forth the lever of the BB ball applicator to make sure the BB ball be loaded into the magazine
5. Directly install the magazine upward into the magazine trough of the gun
6. Press the magazine switch by finger and then take out the magazine.

1. 先拔出BB弹填充器接口，装入BB弹，再把填充器接口装上。
2. 用手压下弹仓。
3. 把弹仓与BB弹填充器接口连接上。
4. 用手前后推拉BB弹填充器推杆，这样BB弹就装入弹仓。
5. 弹仓向上直接安装进枪体的弹仓槽中。
6. 用手指按住弹仓开关，然后取出弹仓。



6

可变上旋系统 VARIABLE HOP UP SYSTEM

By producing a back-spin on the BB bullets, this system allows for straighter and longer distance shooting than normal air guns. Unlike the fixed type, the variable hop up system permits one-touch adjustments using the dial and lever, making it an ideal hop up system.

通过在BB子弹上制作一个反螺旋，本系统可实现比正常气枪更直、更远的射击距离。不像其他固定型，可变上旋系统允许使用刻度盘和调节杆进行单键调节，使之成为理想的上旋系统。

CAUTION

Moving the lever too much towards Hop causes bullets to clog. Keep pulling the trigger with bullets being clogged damages the piston and gears.

If bullet clogging occurs, immediately stop firing the gun, return the hop adjustment lever to the Normal position and remove clogging bullets using the cleaning rod.

Never use used and dirty bullets. (Otherwise, the chamber becomes dirty, resulting in instable hopping up.)

注意事项：

将调节杆向上旋移动太多会造成子弹堵塞。由于堵塞的子弹会对损害活塞和齿轮，因此保持扣发扳机。

如果发生子弹堵塞，则立即停止气枪射击，将上旋调节杆返回到正常位置，使用通枪条取出堵塞的子弹。

务必不要使用已用过的不干净子弹。（否则枪膛会变得不干净，并导致上旋不稳定。）

Adjustment procedure

Keep pulling the charging handle while adjusting the lever.

Turning excessively adversely affects the trajectory. So, stop turning the hop adjustment lever when bullets fly horizontally.

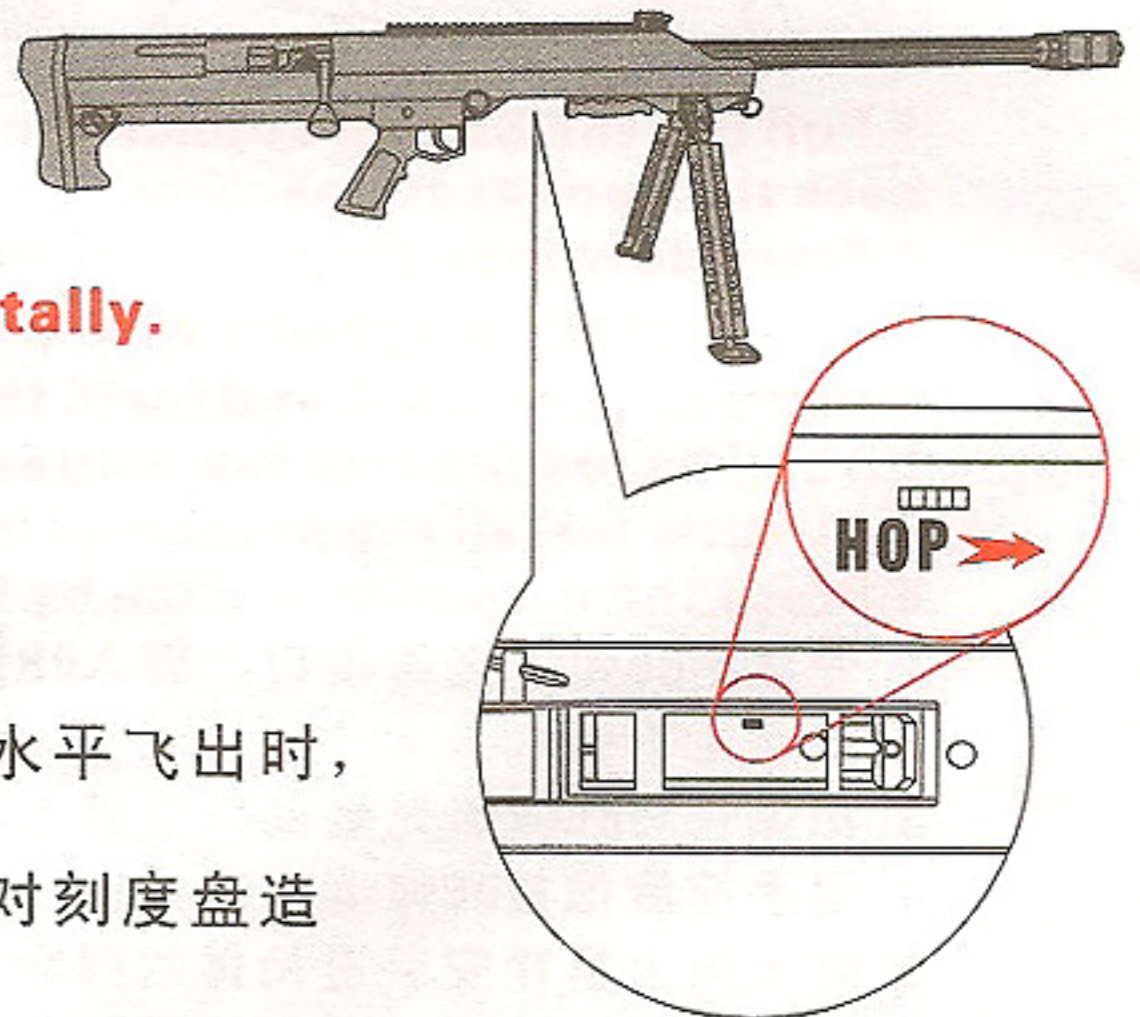
The hop up dial can only be turned a certain amount. Turning it too much will damage it.

调节程序

在调节调节杆时，保持拉动拉机柄。

逆方向过度调节会影响弹道，因此，当子弹水平飞出时，停止调节上旋调节杆。

上旋刻度盘只能旋转一定数字，旋转太多将对刻度盘造成损坏。



Too much hop-up (Return the lever towards NORMAL)

跳跃过度 (把杆朝正常方向调整)



Best position

最佳位置

跳跃不够 (把杆向跳跃方向调整)

Not enough hop-up (Move the lever towards HOP)

The best position is where the bullets fly horizontally, and the longest flying distance is obtained.

最佳位置是子弹水平飞行的位置，并且可以获得最远的飞行距离。

Operational Cautions (Strictly observe the following cautions.)

Make sure to return the hop adjustment lever to the Normal position when removing clogged bullets or cleaning.

(Otherwise, the chamber packing is damaged.)

When about 10,000 rounds are fired, spray silicone oil to the chamber for 0.5 to 1 sec. (refer to 19P the hopping up operation may be instable for 200 to 300 rounds after spraying the silicone oil, which is not a problem.)

We shall not be responsible for any damage or accidents arising from wrong operation, disassembly and modification of the air gun.

Any costs for repair of such damage shall be paid by the user.

操作警告：(严格遵守下列警告)

当卸下堵塞子弹或进行清洁时请确定将跳动调节标盘恢复至正常位置。

(否则弹腔包装可能被损坏。)

当射击完10,000发子弹后，喷洒0.5-1秒的硅油于腔室内。(在喷洒硅油后上旋操作可能导致200-300发子弹不稳定，但这属于正常现象。)

我们将不对由于任何对气枪的错误操作，拆卸和更改导致的任何损害或事故负责，由于上述损坏而发生的任何修理费用将由用户自行承担。



WARNING CAUTION 警告和注意事项

If the hop-up is adjusted excessively causing clogging of bullets, immediately stop operating the gun, return the dial to Normal, fire 2 or 3 shots and readjust.

如果由于过度调节上跳而导致子弹堵塞，请立即停止操作，并将标度盘恢复至正常位置，射击2发或3发后重新进行调节。



When Hopping Up is improper

symptom	Cause	Action
Bullets flying up wards	Too much hop setting	Gradually return adjustment lever to wards Normal.
Short flying distance of bullets (less hopping up effect)	Too much hop setting	Gradually return adjustment lever towards Normal.
	Hop packing contaminated by oil or dirt	Fire bullets equivalent to 4 to 5 magazines or clean the chamber using cleaning rod.
	worn or damaged hop packing	Purchase the replacement part at your dealer or from and replace it.
Cannot adjust	Damaged adjustment lever or other parts	Purchase the replacement part at your dealer or from and replace it.
Frequent bullet clogging	Too much hop setting	Gradually return adjustment lever towards Normal.
	Improper or too large sized BB bullets	Use the BB Bullet supplied by.
	Dirty hop packing	Clean using the cleaning rod or consult your dealer or for repair.

当上跳不正确时

症状	原因	采取的措施
子弹向下飞行	上旋设置过度	缓慢地将调节标盘恢复至标准位置
子弹的飞行距离较短 (上旋效果弱)	上旋设置过度	缓慢地将调节标盘恢复至标准位置
	油污污染了跳动包装装置	射击4-5弹盒子弹或利用通条清洁腔室
	跳动包装装置磨损或损坏	向您的经销商购买替换部件并进行替换
无法调节	调节标盘或其他部件损坏	向您的经销商购买替换部件并进行替换
子弹经常发生堵塞	上旋设置过度	缓慢地将调节标盘恢复至标准位置
	BB子弹尺寸不合适或过大	使用经销商提供的BB子弹
	跳动包装装置有灰尘	利用通条进行清洁或向您的经销商进行咨询以便修理

枪管的清洁和疏通

CLEANING AND CLEARING OF THE BARREL

7

1. Maintenance when Bullet Speed Becomes Low

1. 在子弹速度为低速时的维护

Drop a few drops of silicone oil or Teflon oil from the bullet entrance. Insert BB bullets into the magazine and fire bullets equivalent to 1 or 2 magazines. TO complete the cleaning, use the cleaning rod (with cotton) as shown below, to remove excess oil.

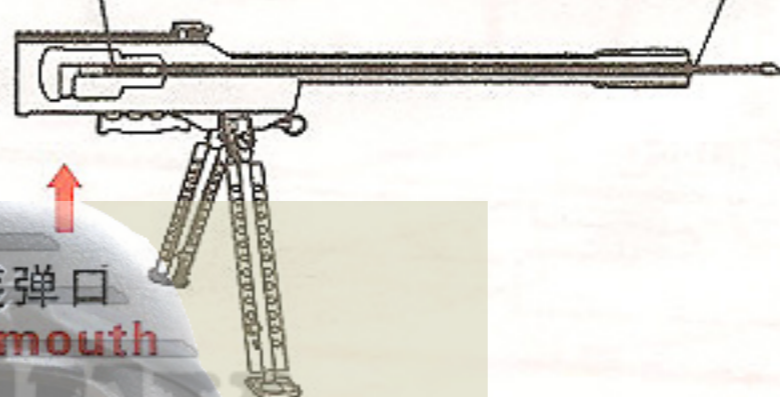
在子弹入口处滴上几滴硅油或特氟纶油。将BB子弹插入弹盒并射击1到2弹盒的子弹。为完成清洁，采用如下所示的通条（带有棉球），以除去多余的油份。

Cut the cotton cloth as illustrated. And then pass it through the hole of the cleaning rod and wind it properly. (the thickness and length of the cotton cloth should be suitable to be inserted into the barrel for cleaning.)

将棉制品如下图所示的比例剪下，然后将剪下的棉布穿过清洁杆的小孔缠绕好。（棉布的厚度和长度要适中，可以伸进枪筒清洁。）

Hop up chamber packing
HOP UP 子弹匣密封

Mark (It is the boundary line)
记号（以此为界线）

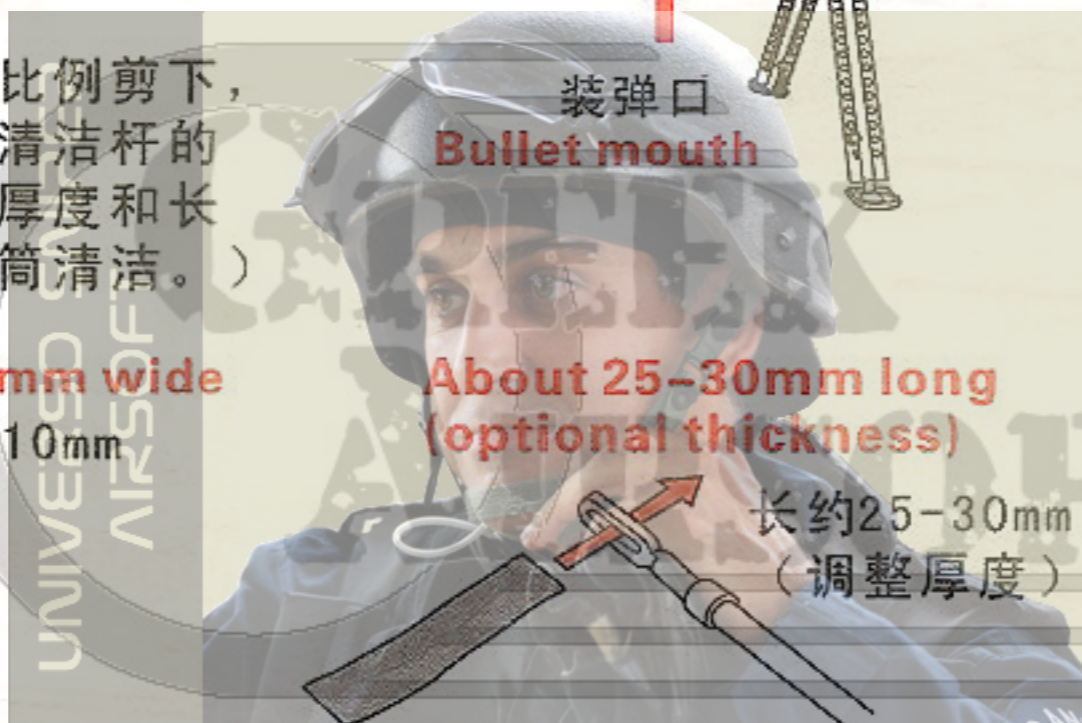
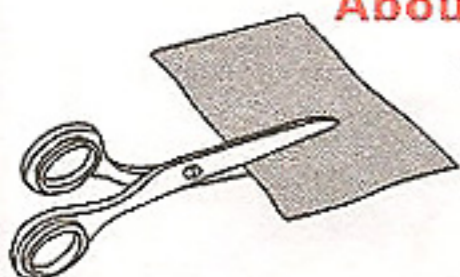


装弹口
Bullet mouth

About 10mm wide
宽约10mm

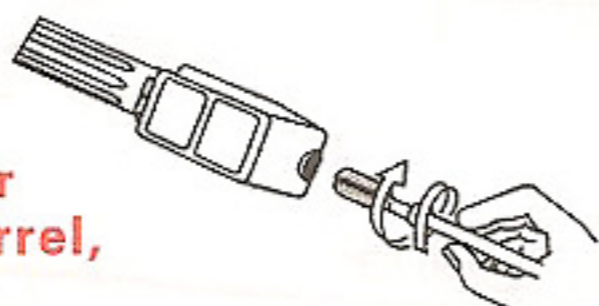
About 25-30mm long
(optional thickness)

Cut it before winding
剪切后进行缠绕



长约25-30mm
(调整厚度)

Hold the cleaning rod and turn it. After cleaning the barrel, replace it.



手持清洁棒一端转动清洁后再将枪筒安装上去



Inserting the rod will be difficult if you hold rod at the end.
如果你手握通条的末端可能很难将通条插进去

2. Removing Clogged Bullets

2. 卸下阻塞的子弹

(Set the Safety button ON and Detaching the Barrel.)

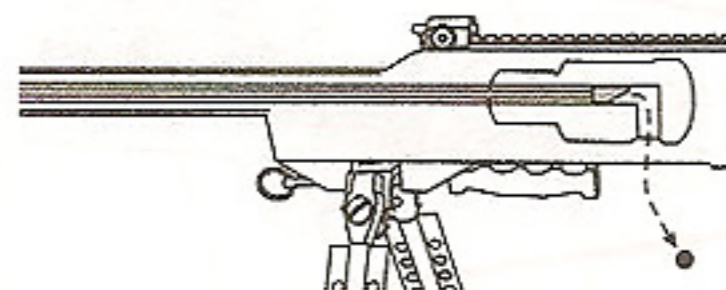
(将安全按钮设置到开的位置，提前取下弹匣)

Remove the magazine and then the barrel assembly.

卸下弹盒然后组装枪管。

Return the hop up dial to the Normal position and insert the cleaning rod from the lead edge of the barrel.

将上跳标度盘返回至标准位置，并从枪管的前端插入通条。



WARNING

Never use 6mm BB bullets other than those supplied by . Use of poor quality 6mm BB bullets will cause problems. Never disassemble or modify the gun.

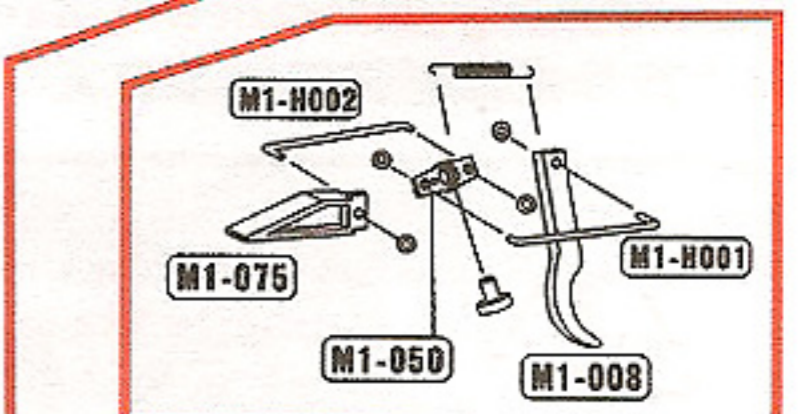
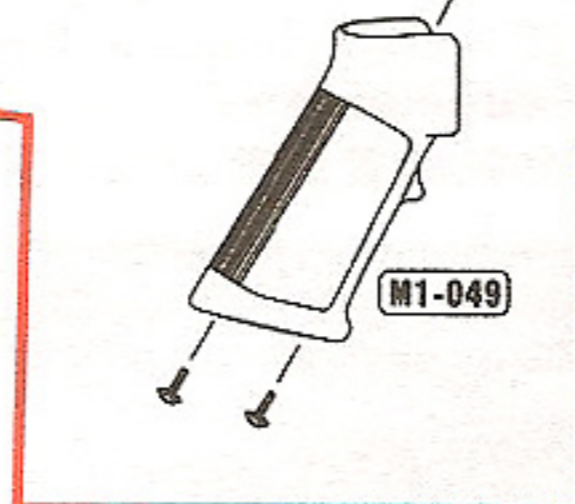
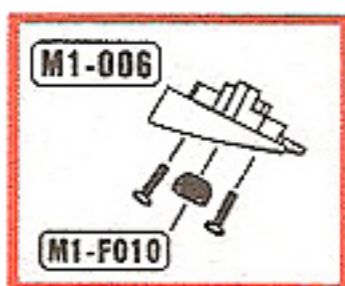
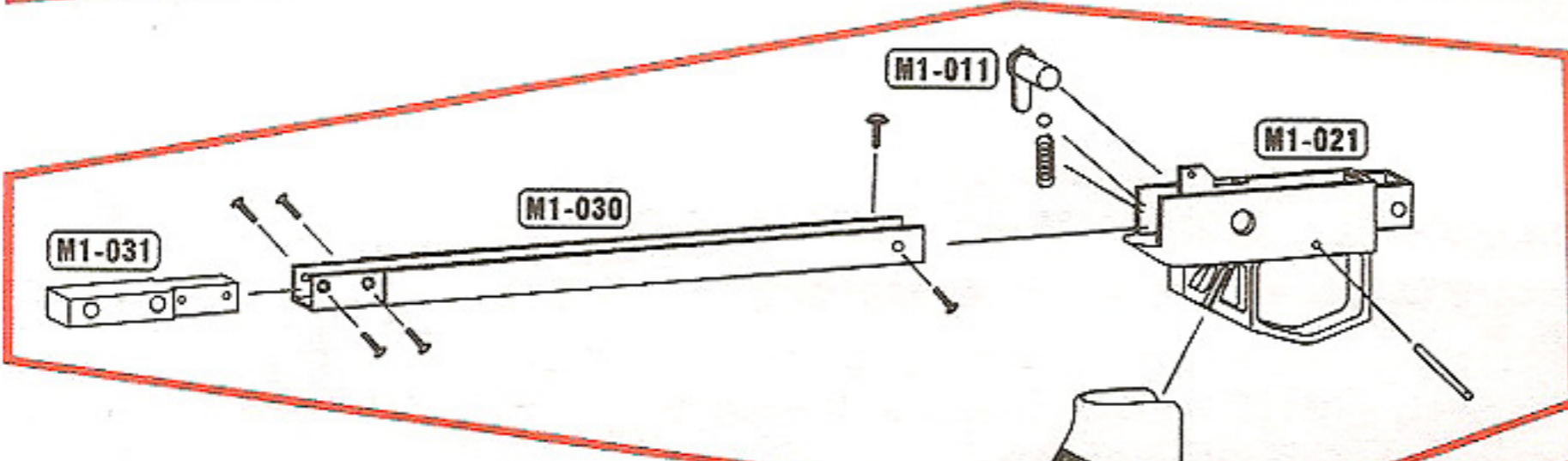
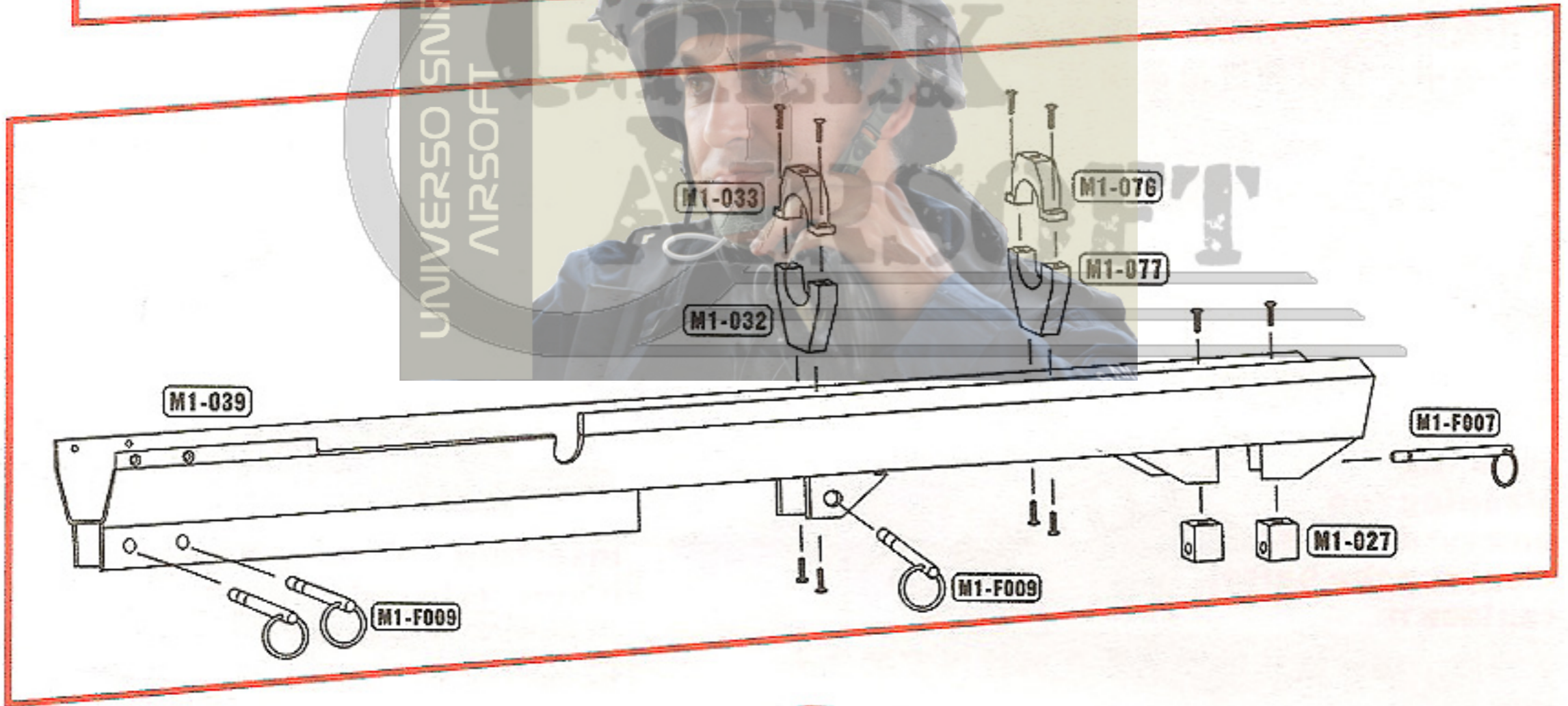
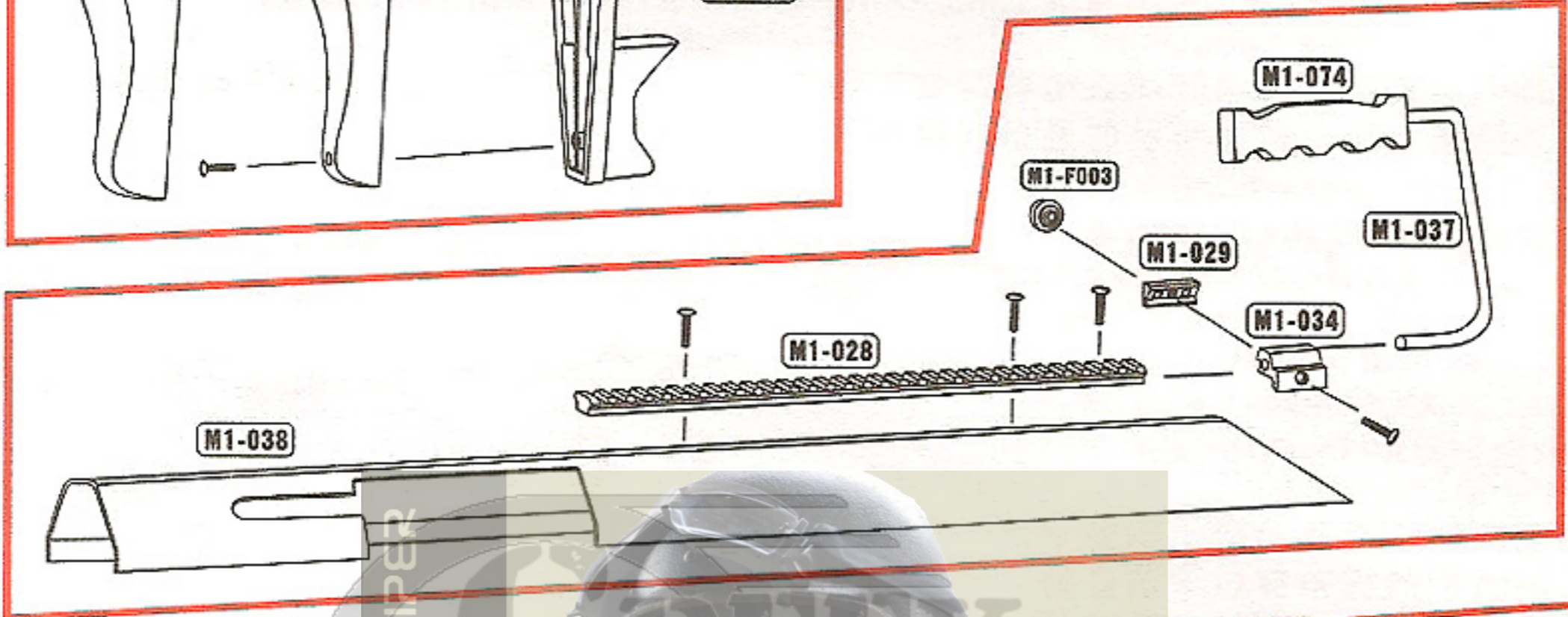
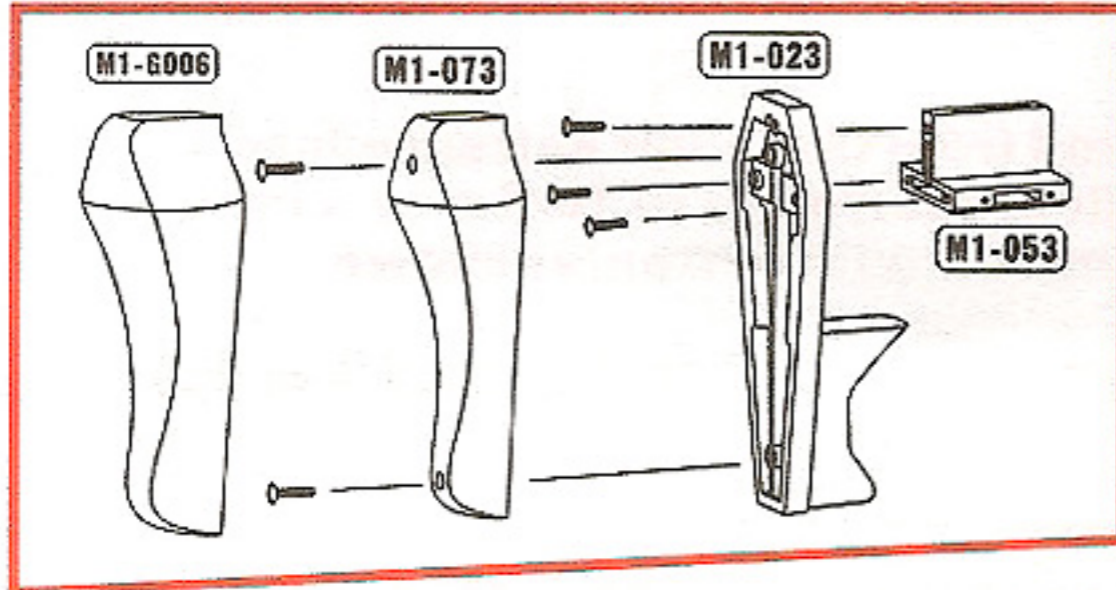
千万不要使用厂家提供以外的6mm子弹。使用质量不符号要求的6mm子弹将可能导致问题。不要拆卸或改动气枪。

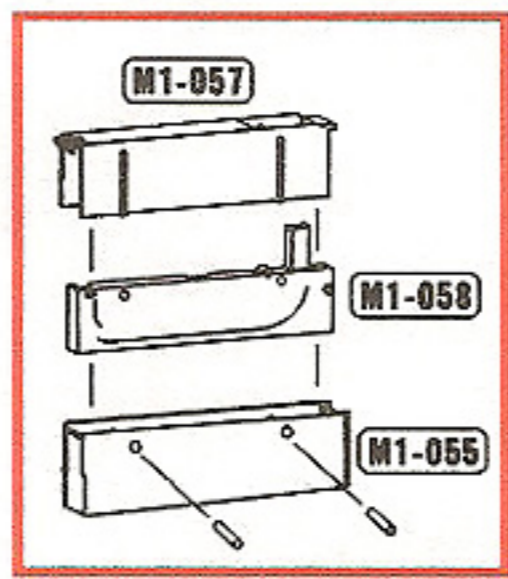
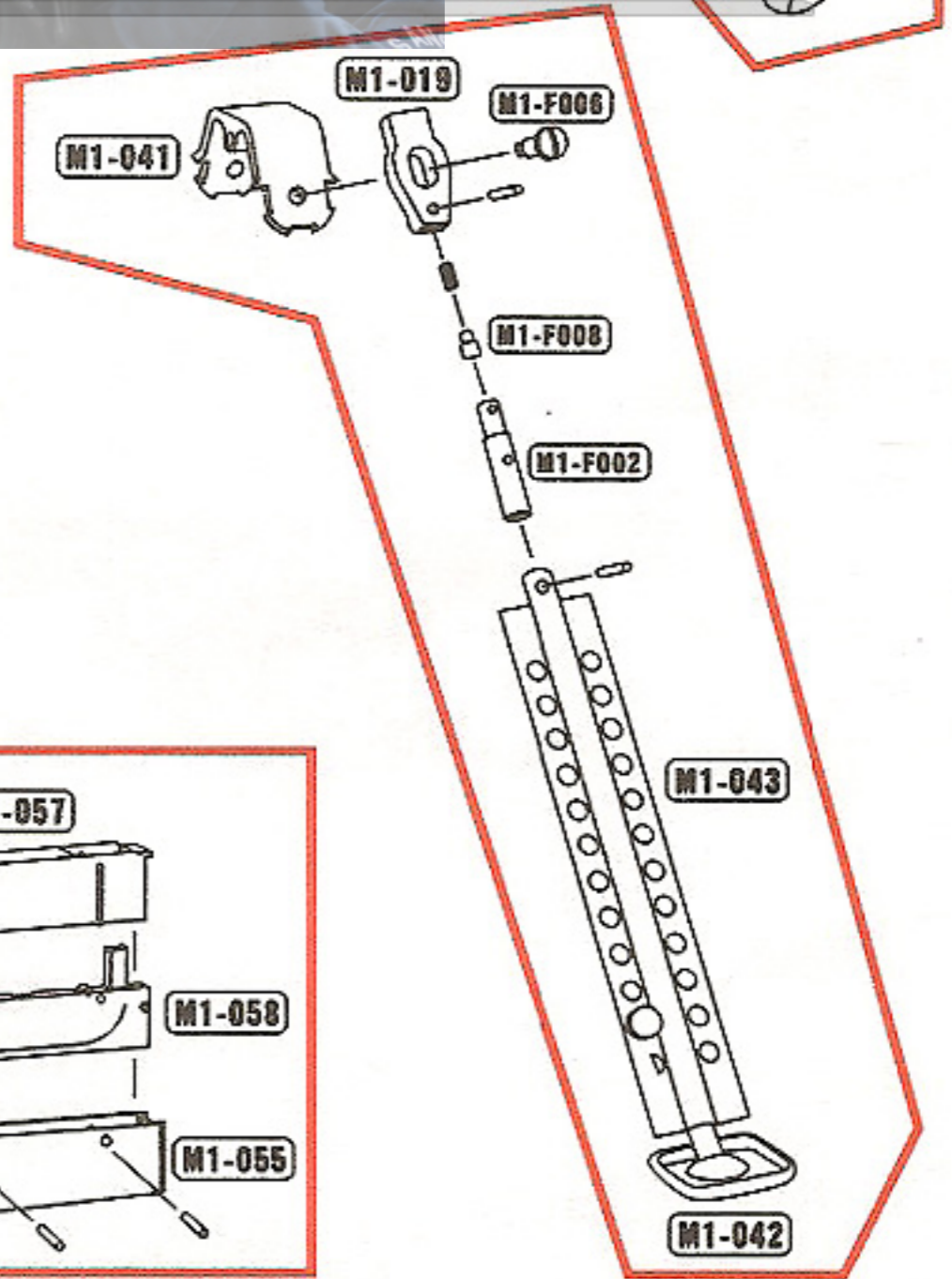
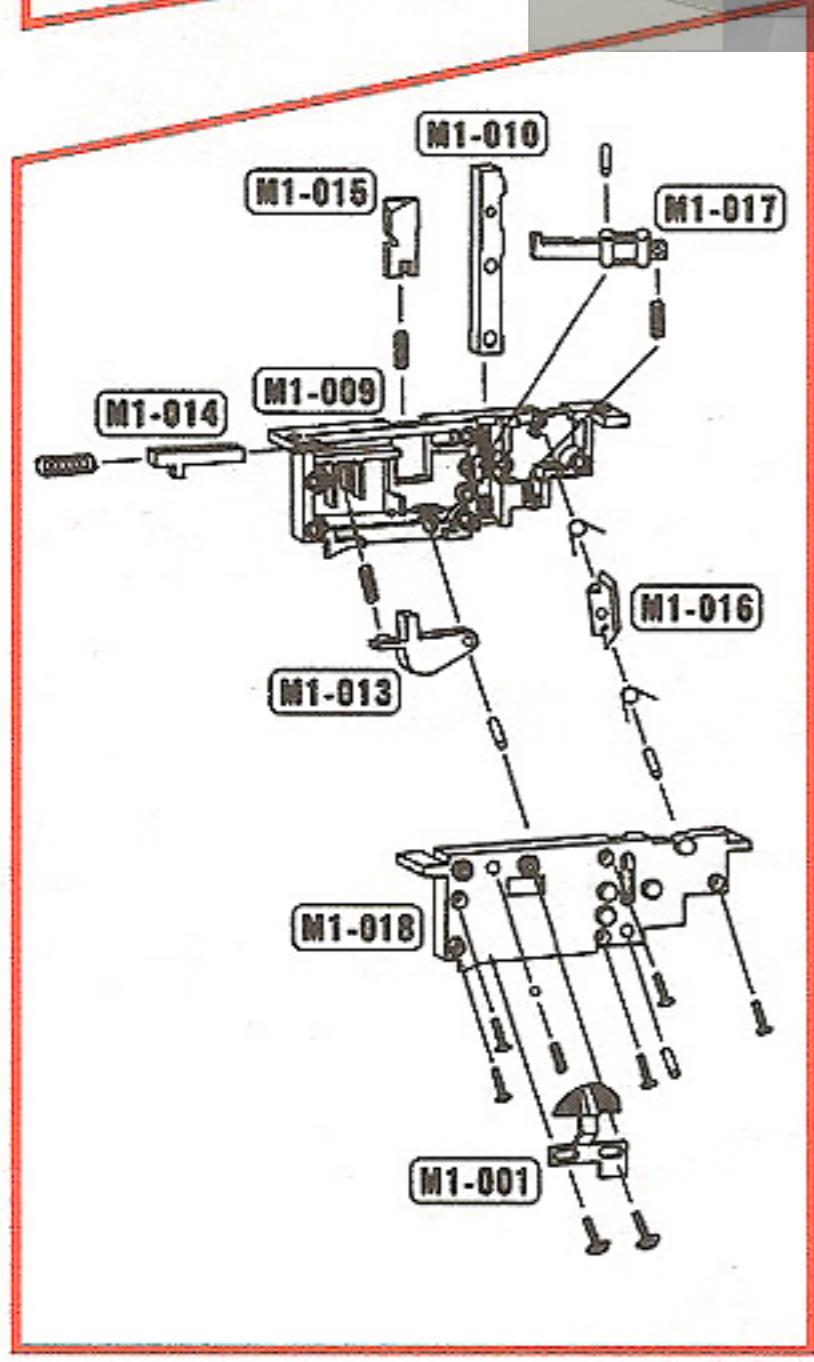
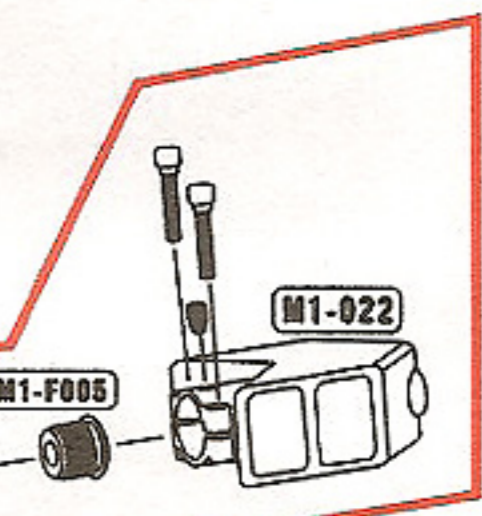
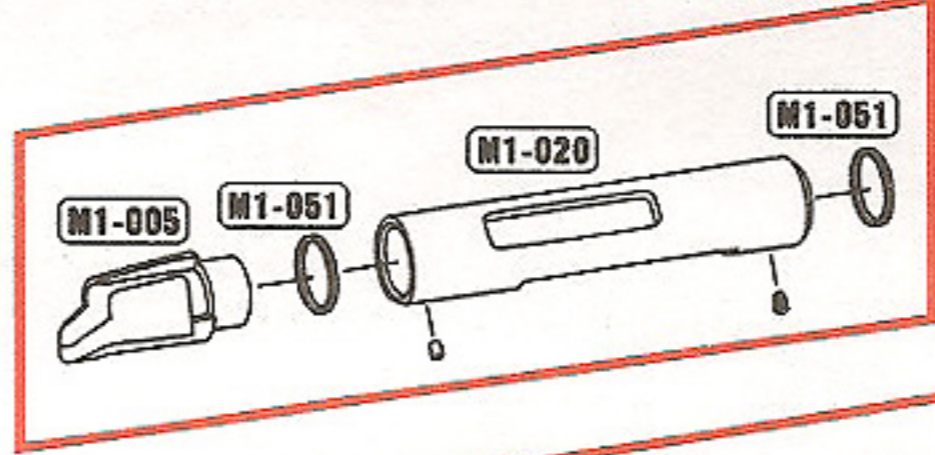
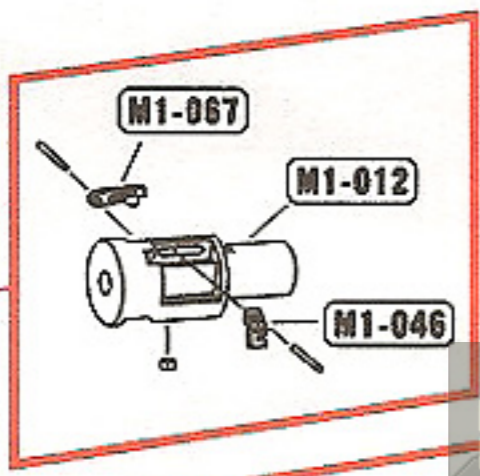
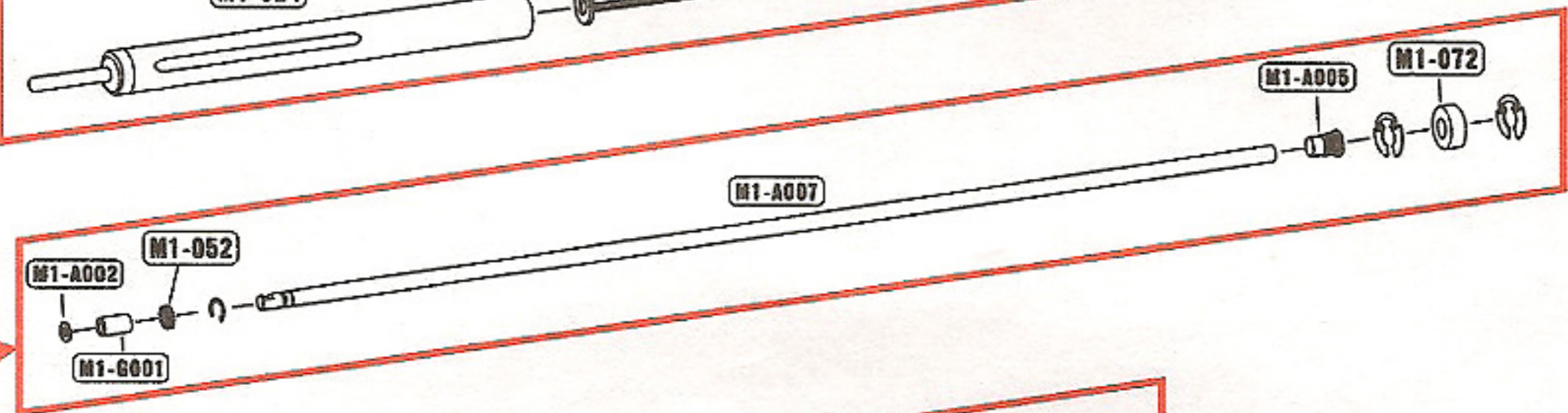
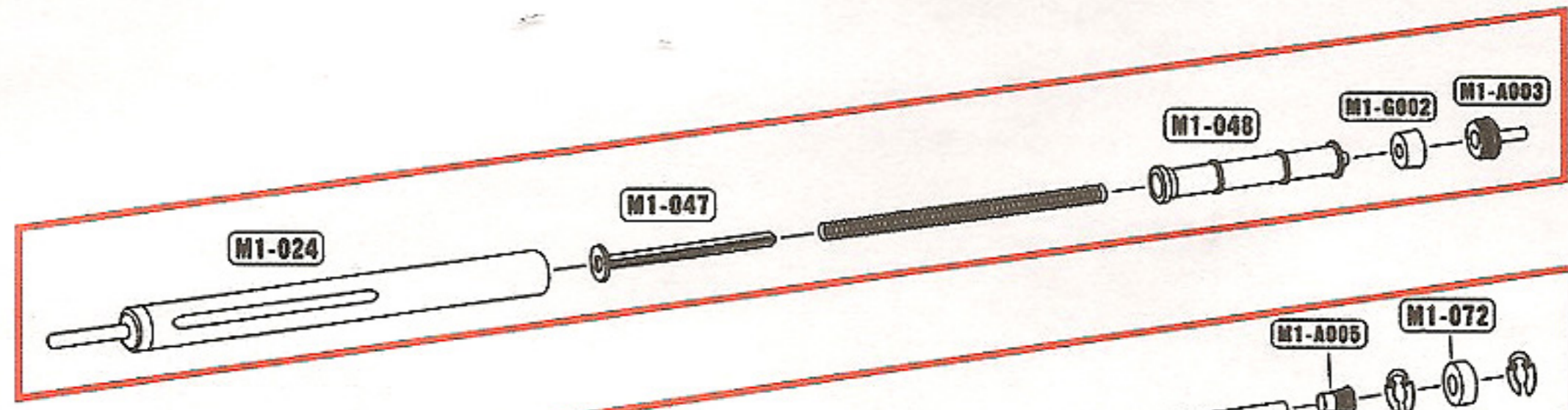


8

详细分解图

PICTURE OF DETAIL BREAKDOWN





SW99

Handling Caution and Instruction Manual
Automatic Airsoft Gun "SW99-01"

UNIVERSO SNIPER
AIRSOFT

