



URX RAIL INSTRUCTION MANUAL

Check all parts

- A. URX rail X1
- B. Fixed ring X1
- C. 2.5mm hex socket cap screw X2



STEP 1



Prepare tools

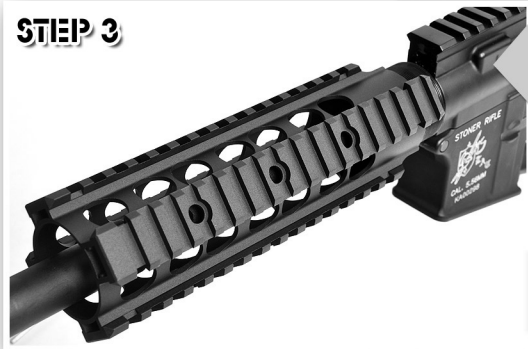
- A. Adjustable spanner
- B. 2.5mm Allen key

STEP 2



Use the Adjustable spanner screw the fixed ring in to the upper receiver.

STEP 3



Turn the URX rail in to the fixed ring.

STEP 4



Use the 2.5mm Allen key screw the hex socket cap screws.

STEP 5



Set up the flash hider and front sight.



Finish.