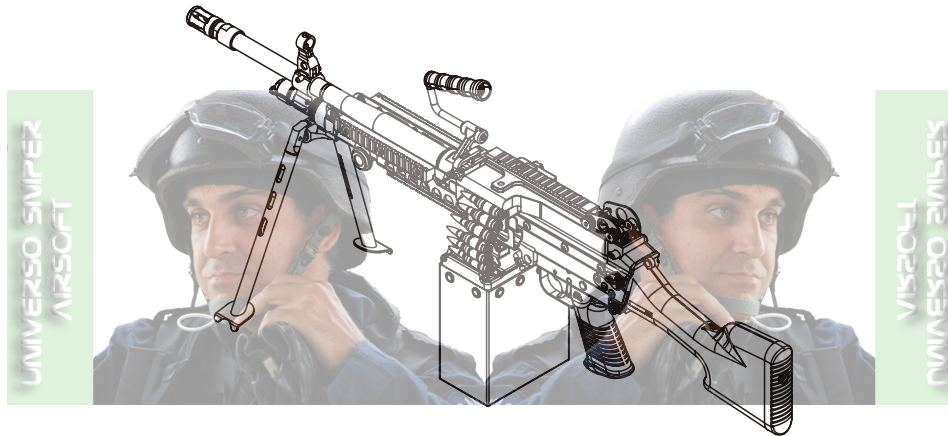


Lightweight VER. VF5-LMK48-BK01
Premium VER. VF5-LMK48-BK81

Operator's Manual
7.62mm, Lightweight Machine Gun, MK48 MOD1
Airsoft Electric Machine Gun



CAUTION / WARNING: Do not brandish or display this airsoft gun in public-it may confuse people and may be a crime. Police and others may think this airgun is a firearm. Do not change the coloration and markings to make it look more like a firearm. This is dangerous and may be a crime. Adult supervision is required. Misuse may cause serious injury. Especially to the eye. Protection designed for airsoft guns must be worn by the user and any person within range.(May be dangerous up to 200meters.)
Read this Operator's Manual before using.

October 2021

Vega Force International Co., Ltd. 330 Taoyuan City, Taiwan

Caution / Warning 注意事項 / 警告

- Always wear eye protective gear.
始終配戴護目鏡
- You may be punished if you are shooting for practical jokes.
若隨意用玩具槍開玩笑可能會觸及法律
- Never shoot the gun at places where people and cars pass cross.
切勿在有人及汽車經過的地方開槍
- Never aim or shoot a person or animal as a target.
切勿將人或動物做為目標射擊
- Never look into the gun muzzle.
切勿直視槍口
- Always direct the muzzle towards a safe direction.
始終將槍口朝向安全位置
- Avoid pulling the trigger carelessly.
避免不小心拉動扳機
- Please keep your fingers away from the trigger, except when you are ready to shoot a target.
除準備射擊目標外，請不要將手指放在扳機上
- Always put the gun in a case or bag when you are carrying it.
攜帶槍枝時請將其放在箱子或袋子中
- Keep out of reach of children.
請將本品放在兒童無法觸及的地方

⚠ CAUTION:

Do not brandish or display this airsoft gun in public- it could confuse people and may be a crime. Police and others may think this airgun is a firearm.

請勿在公共場所揮舞或展示玩具槍，以免造成他人困擾及恐慌，警察與其它民衆可能會認為玩具是真槍，並可能構成犯罪行為。

Do not change the coloration and markings to make it look more like a firearm. This is dangerous and may be a crime.

請勿變造玩具槍的外觀與機構，使玩具槍更像真槍，此為非法行為。

Adult supervision is required. Misuse may cause serious injury. Especially to the eye. Protection designed for airsoft guns must be worn by the user and any person in range. (May be dangerous up to 200 meters.)

未成年使用時需有成人監督。錯誤操作可能造成嚴重傷害，特別是眼睛。使用者與周遭的人務必配戴護目鏡。使用請保持安全距離(最高200米)。Read this Operator's Manual before using. 使用前請詳閱操作說明書，避免發生危險。

Specification / 諸元

Lightweight Version / 輕量版

- Over all: 1009 mm
- Inner Barrel / Inner Diameter: 465 mm / 6.05mm
- Weight: 3955 g
- BB size: 6 mm
- Capacity: 800 Rds
- Energy: 1.4J

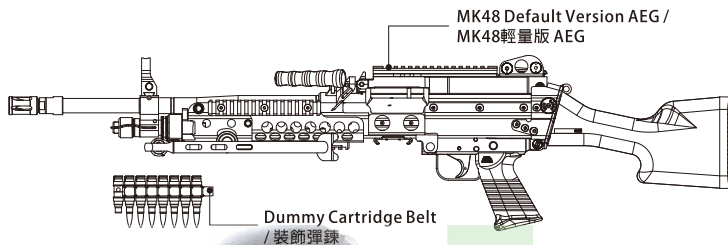
Premium Version / 全配版

- Over all: 1009 mm
- Inner Barrel / Inner Diameter: 465 mm / 6.05mm
- Weight / Electric Winding Ammunition Box Weight: 4200 g / 510g
- BB size: 6 mm
- Capacity: 8800 Rds
- Energy: 1.4J

※The premium version will be equipped with electric recoil system and cartridge belt supply motion simulation system.
全配版有後座力系統與彈鏈抖動系統

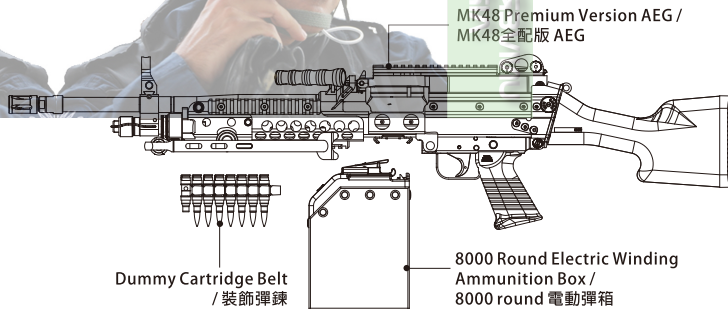
Contents / 內容物

Lightweight Version / 輕量版



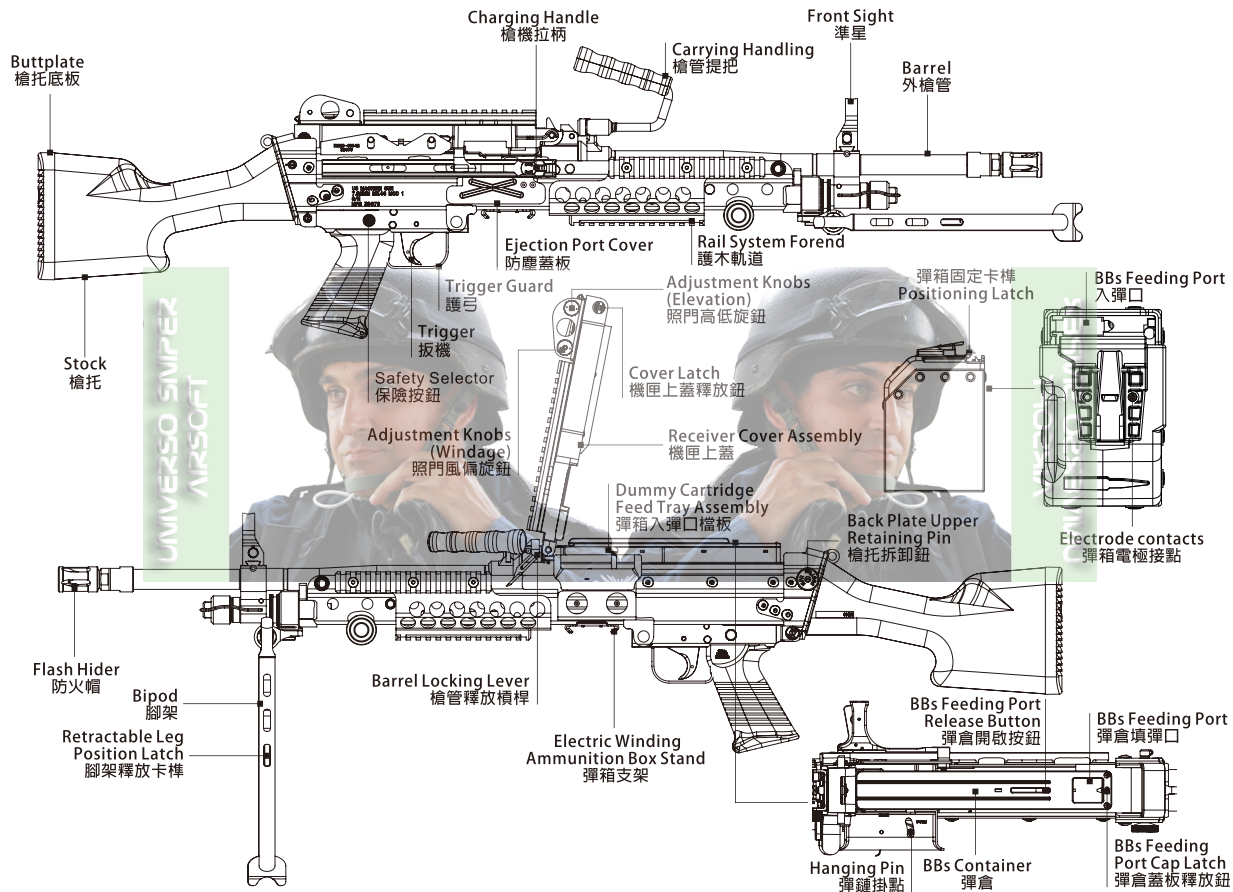
- Accessories / 其它配件:
- User Manual / MK48 AEG說明書
 - T-plug adapter / T插轉接線
 - 2mm Hexagon Wrench / 2mm 六角扳手

Premium Version / 全配版



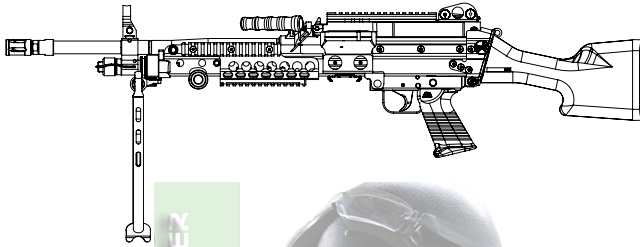
- Accessories / 其它配件:
- User Manual / MK48 AEG說明書
 - T-plug adapter / T插轉接線
 - 2mm Hexagon Wrench / 2mm 六角扳手

Component Name / 組件名稱

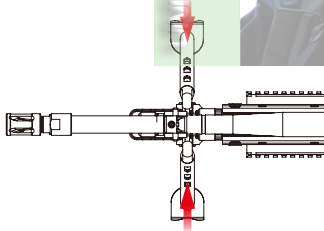


Bipod Operation / 腳架操作

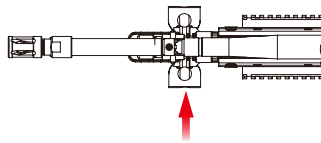
a. Bipod Folding / 腳架摺疊



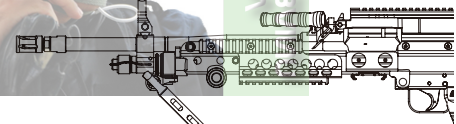
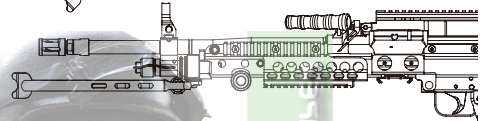
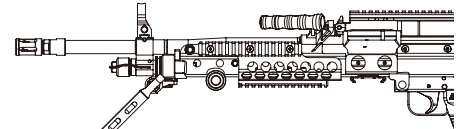
CAUTION : When operating the bipod, please be careful of your hands being trapped or pinched.
操作腳架時請小心夾手。
This is an airsoft gun replica,
please don't use it roughly.
此為玩具槍結構，請勿過於粗暴使用。



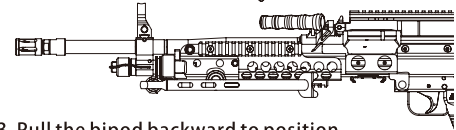
a-1. Squeeze the bipod.
按住腳架將其內壓



a-2. Push the bipod forward to position.
往前推至定位



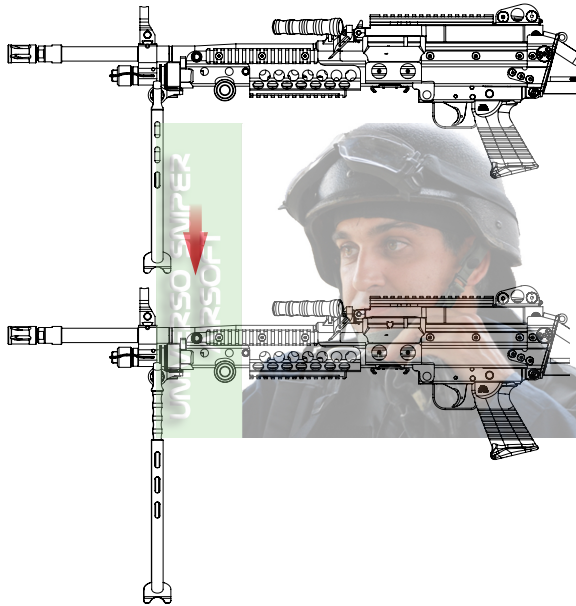
a-3. Pull the bipod backward to position.
往後推至定位



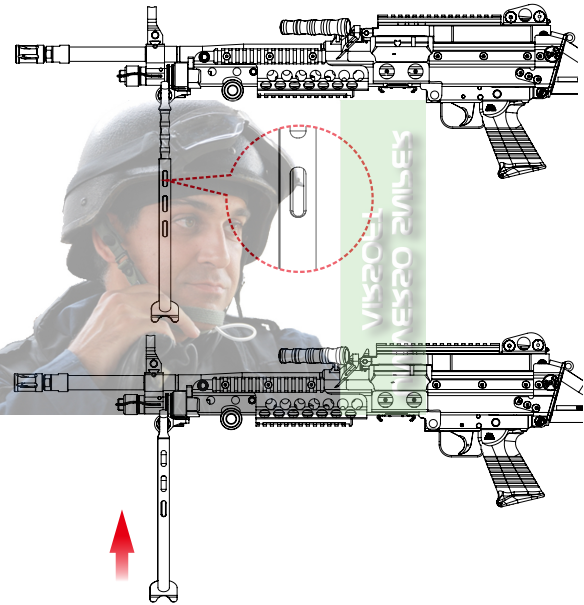
Bipod Operation / 腳架操作

b. Bipod Telescoping / 腳架伸縮

CAUTION : When operating the bipod, please be careful of your hands being trapped or pinched.
操作腳架時請小心夾手。
This is an airsoft gun material and structure, please don't use it roughly.
此為玩具槍結構，請勿過於粗暴使用。



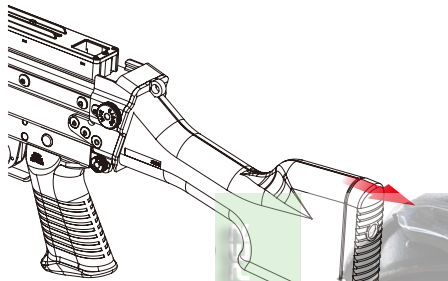
b-1. Pull the bipod straight down and make sure the position latch locks into position.
請直接將腳架向下拉開至定位，並確認腳架伸縮卡榫已確實卡住



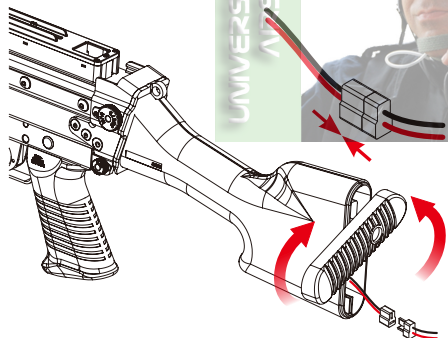
b-2. Press the position latch, and squeeze the bipod to retract it.
按下伸縮卡榫並將腳架內推以收起腳架

Installing Battery / 電池安裝

a. Installing Battery / 電池安裝



a-1. Pull out the buttplate.
向後拉出槍托底板



a-2. Rotate to left or right until the battery store space is exposed,
then the battery can be installed.
向左或向右旋轉直至露出電池倉空間，即可安裝電池。

CAUTION :

When batteries have almost lost their charge they can cause gearbox malfunctions that require repair. Batteries should never be over-charged. This can damage the cell. Prolonged overcharging causes permanent damage to batteries. There is no warranty for batteries. It is recommended to use 11.1, 7.4V 20~25C lithium polymer battery above 1000mah or .9.9V 1000mah lithium ion battery.
當電池電量耗盡時，請盡速更換，避免造成齒輪箱故障。請勿將電池過度充電。長時間過度充電會造成電池永久損壞。電池沒有提供保固。建議使用11.1, 7.4V 20~25C 1000mah以上鋰聚合物電池或是.9.9V 1000mah 鋰鐵電池。



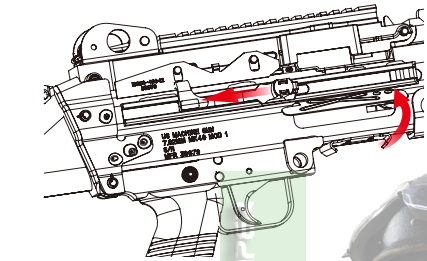
b. About the Digital Fuse / 數位保險絲說明

- b-1. Automatic detection of 11.1V and 7.4V battery types, installation of 11.1V battery will have three beep sounds. Install 7.4V battery will have two beep sounds.
自動偵測11.1V及7.4V LIPO 電池種類，安裝11.1V電池，會發出BI~BI~BI聲響。安裝7.4V電池發出BI~BI聲響。
- b-2. Battery low voltage protection: When battery low voltage or over current occurs, it will have four beep sounds and the motor operation will be temporarily stopped reminding you to replace the battery.
自電池低電壓保護。當發生電池低電壓或過電流時，會發出BI~BI~BI~BI聲響並暫時停止馬達運作，提醒使用更換電池。
- b-3. Overcurrent protection. When the current exceeds the protection value, the switch will directly cut off the power, and the battery must be reconnected before the power can be restored.
過電流保護。當電流超過保護值時，電開會直接斷電，需將電池重新接上後才可恢復通電。

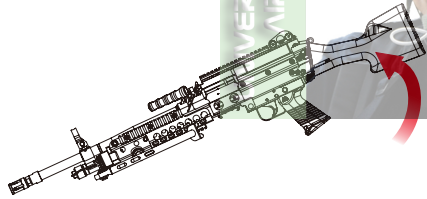
CAUTION : Before changing the battery, point the gun in a safe direction, and set the selector to SAFE.
更換電池前，請將槍口朝安全方向，射擊選擇鈕轉為保險模式。

Load the BBs / 裝填BB彈

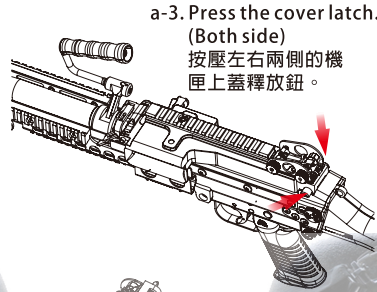
a. BBs Container Feeding / 彈倉裝填



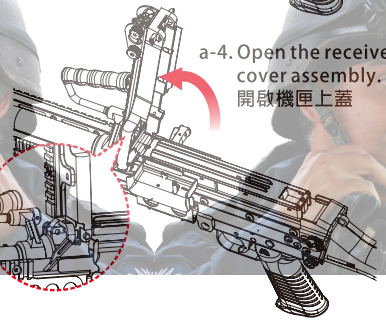
a-1. Pull the cocking handle to open the ejection port cover.
向後拉動槍機拉柄使其覆蓋打開防塵蓋。



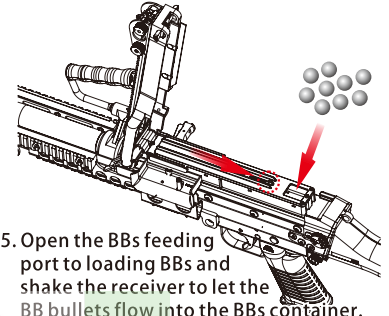
a-2. Tilt the MK48 AEG forward.
將槍向前傾斜。



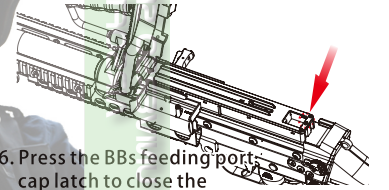
a-3. Press the cover latch.
(Both side)
按壓左右兩側的機匣上蓋釋放鈕。



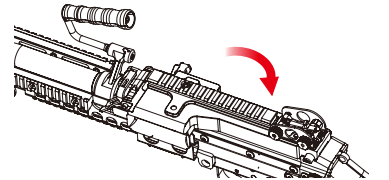
a-4. Open the receiver cover assembly.
開啟機匣上蓋。



a-5. Open the BBs feeding port to loading BBs and shake the receiver to let the BB bullets flow into the BBs container.
向後開啟彈倉開口，倒入BB彈並輕晃槍身使BB彈流入前彈倉。



a-6. Press the BBs feeding port cap latch to close the feeding port.
按壓彈倉蓋板釋放鈕，蓋起彈倉上蓋。



a-6. Close the receiver cover.
關閉機匣上蓋。

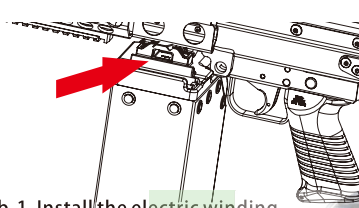
CAUTION : When opening the receiver cover, please push the barrel locking lever forward to the lock position for a void accidental closing and causing pinch injuries.
開啟匣上蓋時請將槍管拆卸槓桿向前推以阻擋機匣上蓋意外合起，避免夾傷。

CAUTION : Be sure to use high-quality BBs. Any foreign material or low-quality BBs will cause the BBs loading system to jam or serious damage.
請務必使用高品質BB彈，並注意異物。任何變形的BB彈及異物會導致上彈系統卡住甚至損壞！

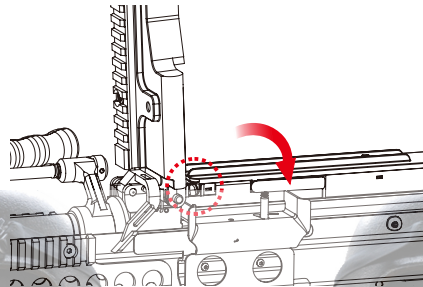
CAUTION : Loading too many BBs will cause the loading system to be unsmooth.
It is recommended to load a maximum of 800 BBs.
裝填過滿的BB會導致上彈不順，建議裝彈數800發。

Load the BBs / 裝填BB彈

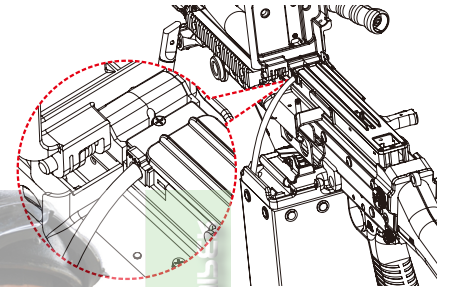
b. Ammunition box installation / 彈箱安裝



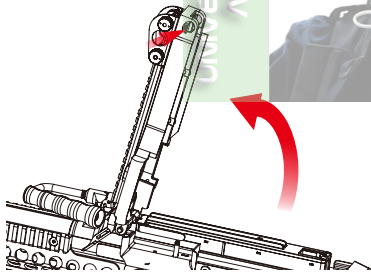
b-1. Install the electric winding ammunition box under the main receiver, and make sure that the electric winding ammunition box and the main receiver are fixed.
將彈箱安裝於機槍本體下方並確認彈箱以與機槍本體確實固定。



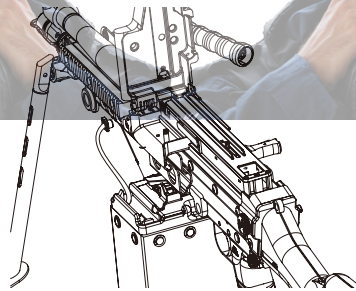
b-3. Open the BB ejection port cover.
將彈倉左前方彈箱入彈口開啟。



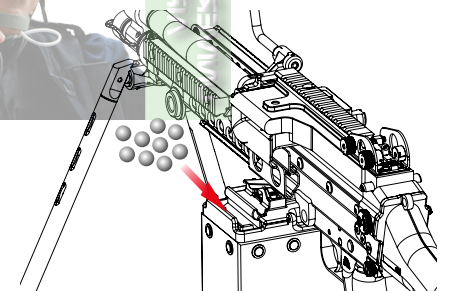
b-5. Set up the BB ammunition delivery tube to the BB ejection port.
將輸彈管固定於入彈口。



b-2. Open the receiver cover assembly.
開啟機匣上蓋。



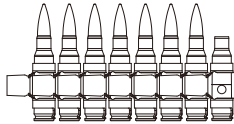
b-4. Pull out the BB ammunition delivery tube.
拉出彈箱輸彈管。



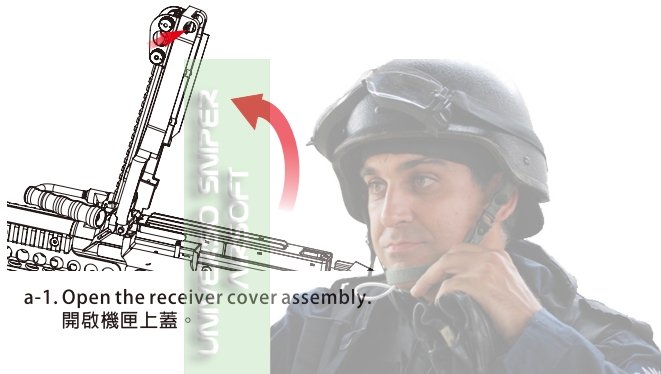
b-6. Close the receiver cover assembly and loading BB to electric winding ammunition box.
蓋起彈匣上蓋。將BB彈直接倒入彈箱。

CAUTION : BBs sure to use high-quality BBs. Any foreign material or low-quality BBs will cause the BB loading system to jam or cause serious damage.
請務必使用高品質BB彈，並注意異物。任何變形的BB彈及異物會導致上彈系統卡住甚至損壞！

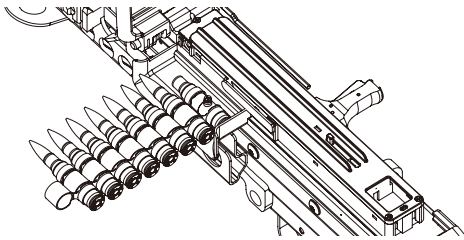
Dummy Cartridge Belt Settings / 彈鏈安裝



a. Lightweight Version Settings / 輕量版安裝

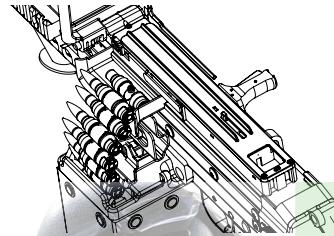


a-1. Open the receiver cover assembly.
開啟機匣上蓋。

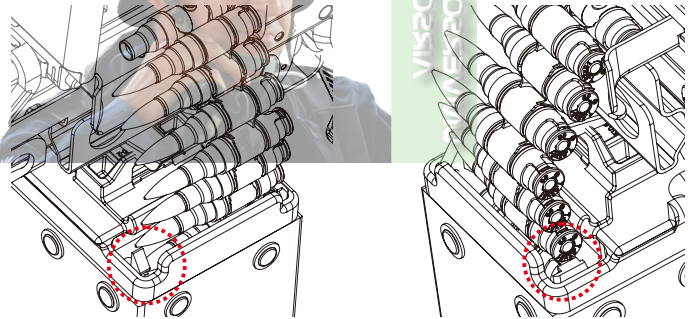


a-2. Install the dummy cartridge belt on the hanging pin.
將彈鏈直接安裝於入彈口上的彈鏈掛點。

b. Premium Version Settings / 全配版安裝



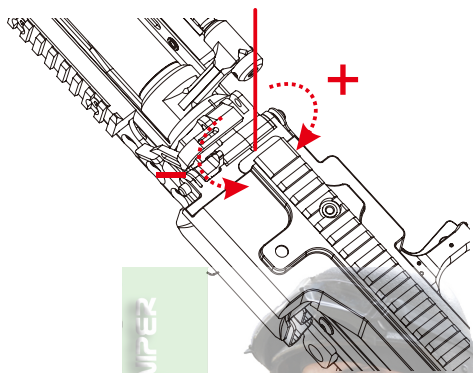
b-1. Install the dummy cartridge belt on the hanging pin when ammunition box has been installed.
將彈箱安裝完成後，將彈鏈安裝於入彈口上的彈鏈掛點。



b-2. Insert the dummy cartridge belt into the hook of the ammunition box according to the picture
裝飾彈前後需如圖卡於彈箱假彈卡鈎內。

CAUTION: The lightweight version of the dummy cartridge belt is for decoration only and has no function.
輕量版彈鏈僅裝飾用，無任何實際功能。全配版彈鏈會配合槍支運作抖動。

Variable HOP-UP System / HOP-UP調整系統



1. Use a 2mm hexagon wrench to insert the HOP UP adjustment hole.
將2mm六角扳手插入HOP UP調整孔。
Rotate counterclockwise to make HOP DOWN,
Turn clockwise to make HOP UP.
向左旋轉HOP DOWN，向右旋轉HOP UP。

CAUTION :

The best position is where the bbs fly horizontally and the longest flying distance is obtained.
最佳彈道為BB彈水平飛行並獲得最長飛行距離

Never hold the gun sideways as the BB will curve right or left. This is due to the Hop-Up system.
請勿側握持槍，由於HOP-UP系統，彈道將會偏左或偏右。

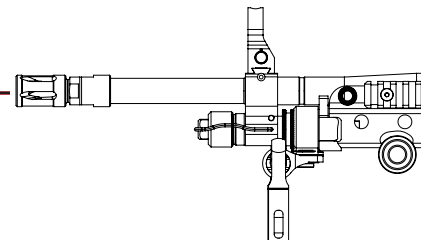
Too much hop up may cause BBs to jam. Damage and malfunctions will occur with the gun.
Hop調整過度有可能造成BB彈卡彈。過度調整Hop有可能造成損壞或故障。

Adjust HOP effect / 調整HOP-UP效果

Too much hop-up +
調整過度

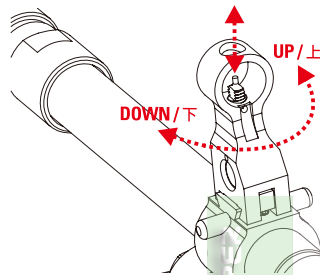
Best position ✓
最佳彈道

Not enough hop-up -
調整不足

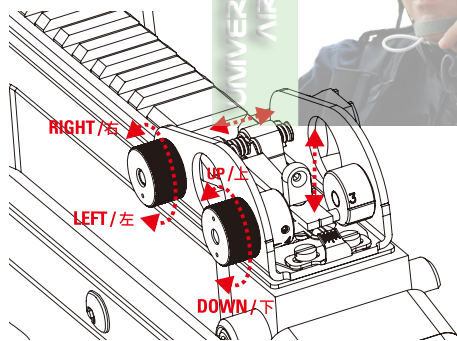


Sights / 準星照門

a. Front Sight / 準星

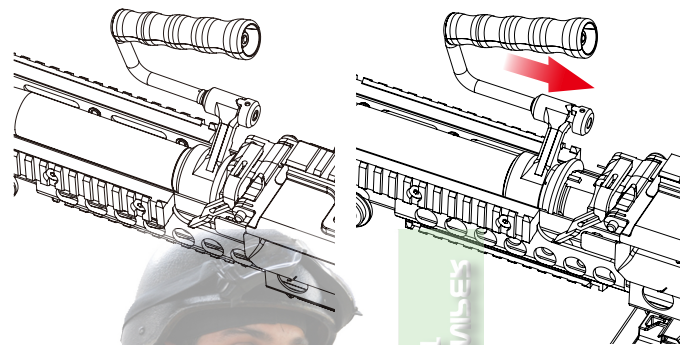


b. Rear Sight / 照門

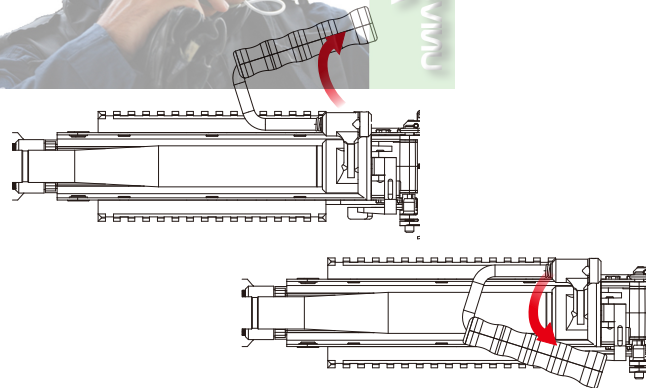


1. The front knob of the rear sight adjusts the windage, and the rear knob adjusts the elevation of the target hole.
照門前側旋鈕調整風偏，後側旋鈕調整視孔高低。

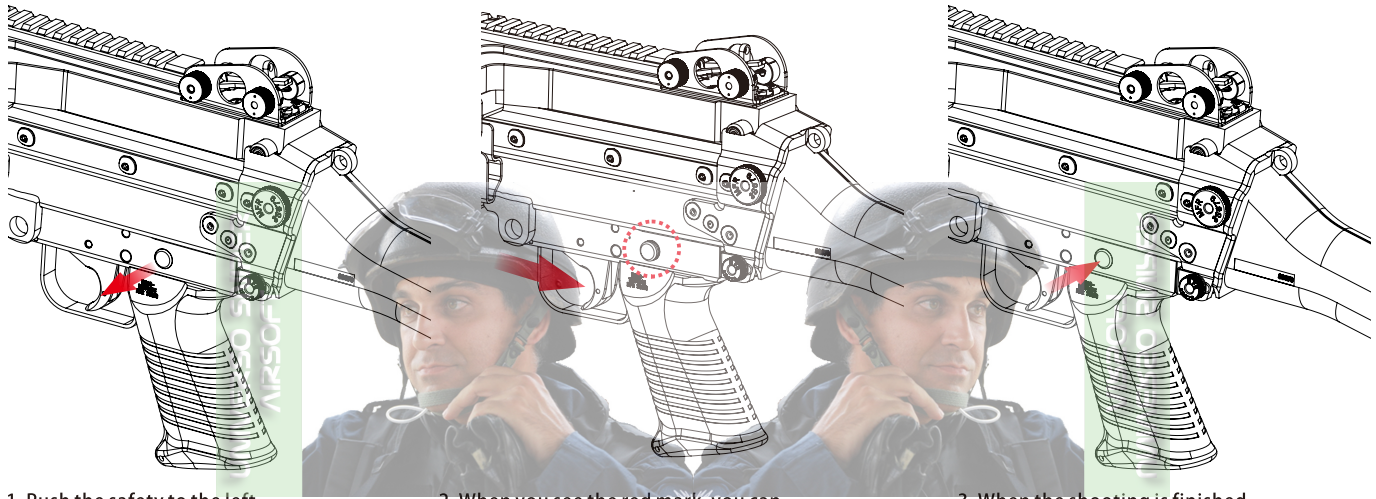
Carrying Handling / 提把



1. The carrying handling is adjusted in three stages.
When the carrying handling is in the middle section, the carrying handling needs to be pulled out backwards.
提把共有三段式調整，當提把為中間段需將提把向後拉出。



Shooting / 射擊



1. Push the safety to the left.
將保險紐向左推出。

2. When you see the red mark, you can
pull the trigger and shoot.
看見紅色圓圈按下扳機即可射擊。

3. When the shooting is finished,
push the safety to the right.
射擊完畢後將保險紐向右推入，保險開啟。

CAUTION :

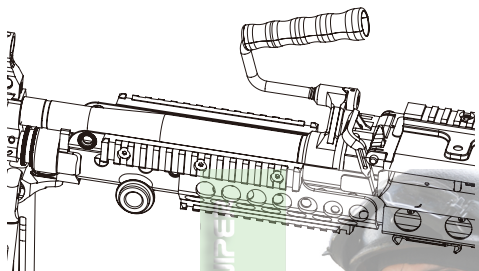
Before you turn off the safety and prepare to shoot, please confirm the clearance in front of the muzzle and place your fingers on the side of the trigger guard.
關閉保險準備射擊前時請確認槍口前方淨空，並將手指置於護弓側。

NOTE :

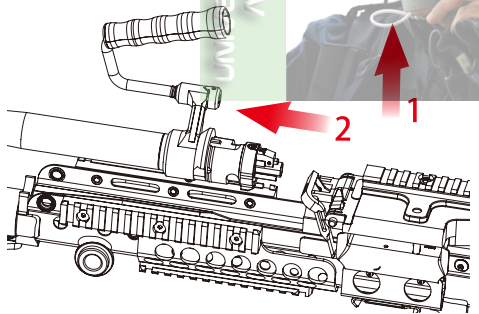
There will be a non-BBs fire (dry fire) when the trigger is pulled for the first time. If the number of BB in the magazine is insufficient, there will also be BB dry fires too.
第一次填裝 BB 彈射擊時會有一小段時間空擊。BB 彈數量不足，也會有空擊狀況發生。

Barrel / 槍管

a. Barrel Disassembly / 槍管拆卸

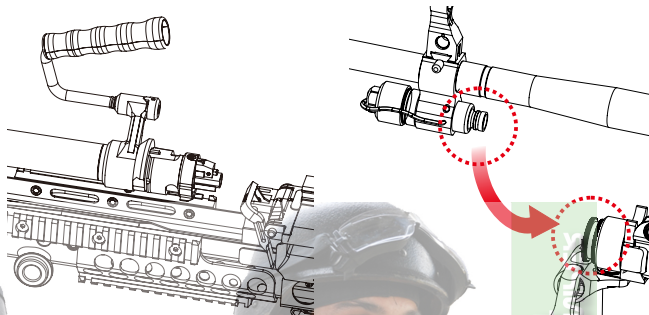


1. Lift the carrying handling up.
Press the barrel locking lever backward.
槍管提把需定位在向上。向後按下槍管拆卸槓桿。

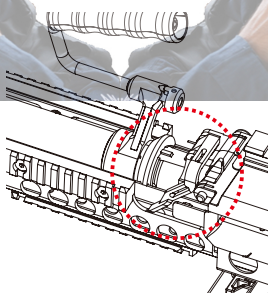


2. Lift the barrel up and pull the barrel forward.
將槍管提把向上提起，並順勢向前抽出槍管。

b. Barrel installation / 槍管安裝

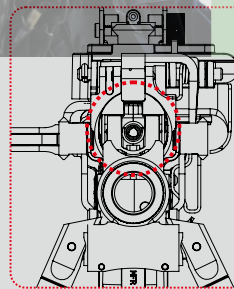


1. Insert the barrel directly into the receiver and confirm the alignment of the gas tube seat in front of the barrel.
直接將槍管插入槍身本體並確認槍管前方瓦斯管座對位



2. Push the barrel locking lever forward to position.
將槍管拆卸槓桿向前推至定位。

CAUTION:



You need to clear the BBs between the chamber and the nozzle before installing the barrel. If there is foreign material that has not been removed, it will break the bullet nozzle.
需先排除槍膛與推嘴處的BB彈，再裝入槍管。若有異物卡在此處時直接裝入槍管可能導致推嘴斷裂。

Troubleshooting / 故障排除

Symptom / 徵狀	Cause / 原因	Action / 解決方式
The trajectory is not steady. 彈道不穩定	<ol style="list-style-type: none"> 1. Too much hop setting. hop旋鈕調整過度。 2. Inner Barrel or Hop bucking contaminated by oil or dirt. 槍支內管或HOP橡皮內有灰塵或油污。 3. Worn or damaged hop bucking. HOP橡皮磨損或毀壞。 4. Improper or too large size BBs. 使用不合適或太大的BB彈。 	<ol style="list-style-type: none"> 1. Gradually return adjustment lever towards normal. 漸趨調節使彈道平穩正常。 2. Clean the oil or dirt. 清潔灰塵或油污。 3. Purchase the replacement part at your dealer or from VFC. 向經銷商或VFC購買替換零件。 4. Use quality BBs. 使用優質BB彈。
Shooting distance becomes shorter. 射程變短	<ol style="list-style-type: none"> 1. Too much hop setting. hop旋鈕調整過度。 2. Inner Barrel or Hop bucking contaminated by oil or dirt. 槍支內管或HOP橡皮內有灰塵或油污。 3. Worn or damaged hop bucking. HOP橡皮磨損或毀壞。 	<ol style="list-style-type: none"> 1. Gradually return adjustment lever towards normal. 漸趨調節使彈道平穩正常。 2. Clean the oil or dirt. 清潔灰塵或油污。 3. Purchase the replacement part at your dealer or from VFC. 向經銷商或VFC購買替換零件。
HOP UP cannot be adjusted. HOP UP 無法調整	<ol style="list-style-type: none"> 1. Inner Barrel or Hop bucking contaminated by oil or dirt. 槍支內管或HOP橡皮內有灰塵或油污。 2. Worn or damaged hop parking. HOP橡皮磨損或毀壞。 	<ol style="list-style-type: none"> 1. Clean the oil or dirt. 清潔灰塵或油污。 2. Purchase the replacement part at your dealer or from VFC. 向經銷商或VFC購買替換零件。
BBs get stuck frequently. BB彈頻繁堵塞	<ol style="list-style-type: none"> 1. Too much hop setting. hop旋鈕調整過度。 2. HOP UP rubber dry. HOP UP 橡皮乾澀。 3. Improper or too large size BB bullets. 使用不合適或太大的BB彈。 	<ol style="list-style-type: none"> 1. Gradually return adjustment lever towards normal. 漸趨調節使彈道平穩正常。 2. Use appropriate amount of silicone oil on the HOP UP rubber. 噴適當矽油於HOP UP 橡皮上。 4. Use the quality BBs. 使用優質BB彈。

If you have any other issues, please contact with your dealer or E-Mail us at service@vegaforce.com.tw
如果您有其它問題，請向您購買的經銷商聯繫或寄電子郵件至我們公司信箱service@vegaforce.com.tw

Troubleshooting / 故障排除

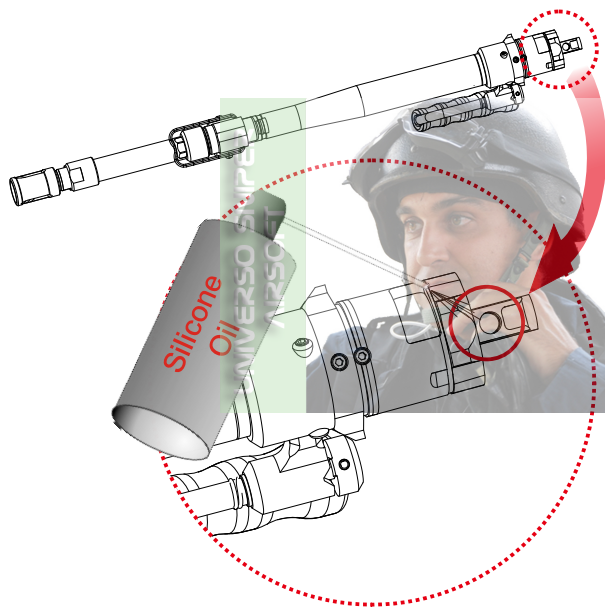
Symptom / 徵狀	Cause / 原因	Action / 解決方式
No operation at all. 無法動作	<ol style="list-style-type: none"> 1. Selector lever is set to safe. 選擇鈕位於關保險位置。 2. Battery is not charged. 電池未充電。 3. Battery connector is disconnected. 電池接頭未連接。 4. Short circuit because of the damaged wire. 電線破損造成短路。 	<ol style="list-style-type: none"> 1. Set the selector lever to fire. 將射擊選擇扭轉至射擊模式。 2. Charge the battery. 將電池充電。 3. Connect the connector. 電池接頭確實連接。 4. Check the wiring and replace the wire. 檢查線路並更換電線。
Motor is cycling but gun does not fire. 馬達有轉動但BB彈無法擊發	<ol style="list-style-type: none"> 1. Ammunition box or BBs container jam. 彈箱或彈倉卡彈。 2. The ammunition delivery tube is not installed. 彈箱輸彈管未確實裝入。 3. Faulty gear. 齒輪損壞。 	<ol style="list-style-type: none"> 1. Eliminate jams from ammunition box or BBs container. 清除彈箱或彈倉內卡彈。 2. Re-install the ammunition delivery tube. 重新裝入輸彈管。 3. Purchase the replacement part at your dealer or from VFC. 向經銷商或VFC購買替換零件。
Firing cycle become slow. 射速過低	<ol style="list-style-type: none"> 1. Insufficient battery power. 電池電力不足。 	<ol style="list-style-type: none"> 1. Charge the battery. 電池充電。
Electric Winding Ammunition Box not working. 彈箱無法給彈	<ol style="list-style-type: none"> 1. Electrode contact oxidation. 彈箱及槍身電極接點氧化。 2. The loading system is stuck by foreign material. 彈箱上彈系統被異物卡死。 3. Damaged BBs loading system. 上彈系統損毀。 	<ol style="list-style-type: none"> 1. Remove the oxide layer of the electrode contacts. 清除接點氧化層。 2. Clear foreign material. 清除異物。 3. Consult your dealer, VFC for maintenance or repair. 聯繫經銷商或VFC維修。



For detailed troubleshooting and operation videos, please scan the QR code.
詳細故障排除與操作影片，請掃描QR Code。

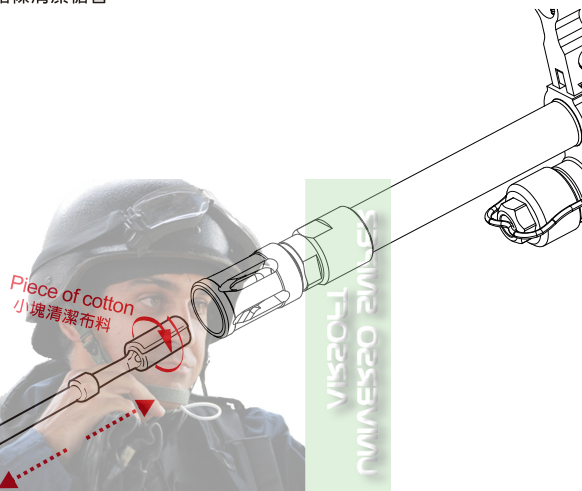
Maintenance / 保養維護

1. Remove the barrel.
將槍管拆卸下來。
2. Lubricate the HOP UP BB feeding port behind the barrel with silicone oil.
於槍管後方HOP-UP座進彈口，滴些許矽油潤滑。



Barrel cleaning / 槍管清潔

1. Remove the barrel.
將槍管拆卸下來。
2. Use the cleaning rod to clean the inner barrel.
使用通槍條清潔槍管。



CAUTION :

Never use Mineral oil based lubricants.
切勿使用礦物油做潤滑。

1KG
PACK

SUPREME PRECISION GRADE BBs

For Your Gas Rifle And Pistol 100% Made In Taiwan



Plastic Series

Diameter
5.95 mm
± 0.01mm



CERTIFICATIONS:

Biodegradable Test Report ISO 14855-1 in connection with DIN EN 13432

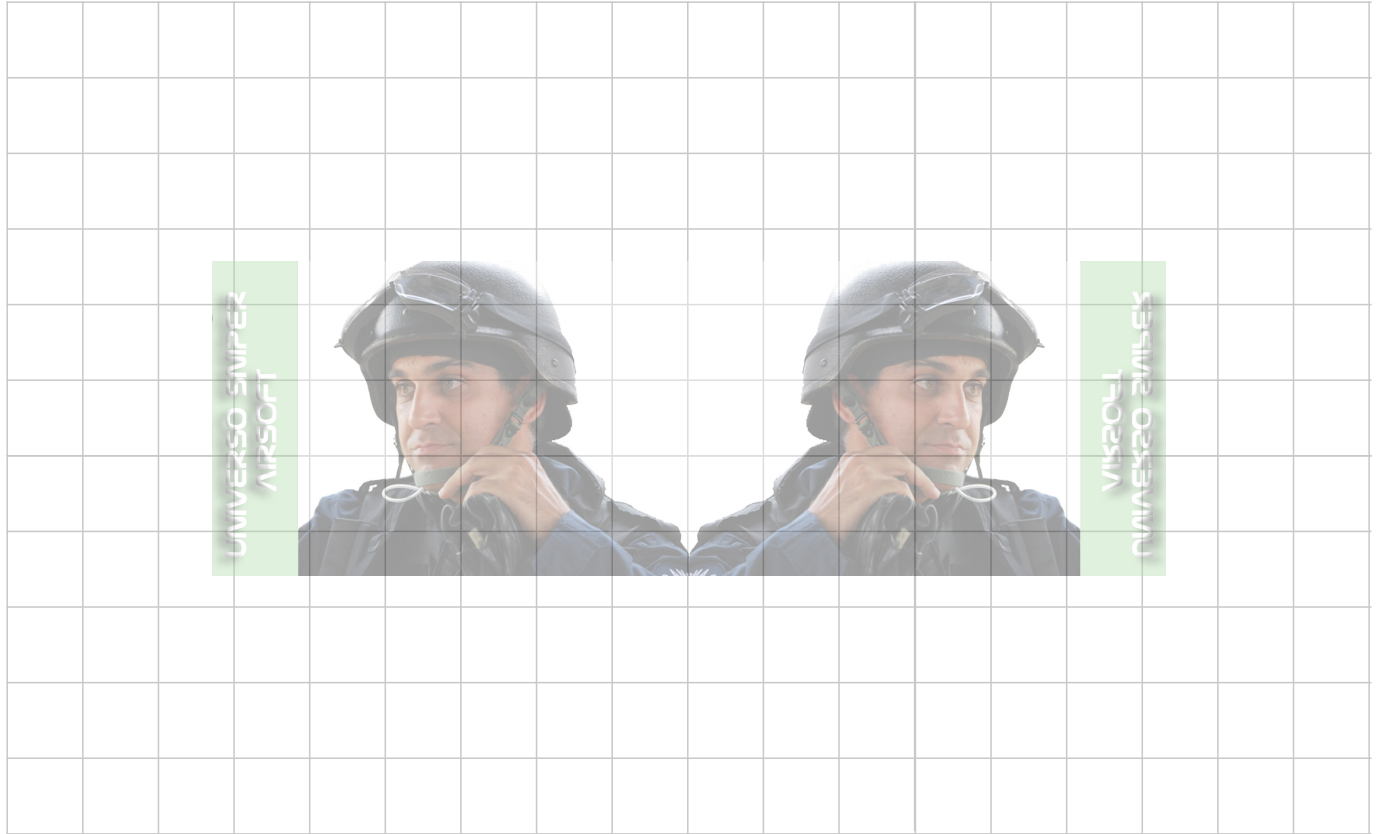
Certified EN71 part 3:2013

Compliant with ASTM D-6400-99 "Standard Specifications for Compostable Plastics"



BIO Series

Note





UNVESSO 5MIPER
VISOPI

VISOPI
UNVESSO 5MIPER



VegaForce Company
[http:// www.vegaforce.com](http://www.vegaforce.com)



8F., No.609, Sec. 1, Wanshou Rd., Guishan Dist.,
Taoyuan City 333, Taiwan (R.O.C.)
Phone: + 886-2-8200-6630
Fax: + 886-2-8200-6631
e-Mail: service@vegaforce.com.tw