



# ASW338 LM

TACTICAL PRECISION SNIPER RIFLE  
6mm Bolt Action System Series  
Manufactured by VegaForceCompany Made in Taiwan



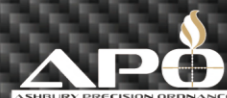
UNIVERSO SNIPER  
AIRSOFT



**VegaForceCompany**  
<http://www.gb-tech.com.tw>

TEL +886-2-22036630  
FAX +886-2-22036610  
E-Mail [service@vegaforce.com.tw](mailto:service@vegaforce.com.tw)

ADD.  
No.68, Jianguo 2nd Rd., Xinzhuang Dist,  
New Taipei City 242, Taiwan



VegaForceCompany

The Design of ASW338LM and the Ashbury logos and trademarks are the property of Ashbury International Group Inc. and used under license for airsoft guns from ActionSportGames® A/S.

# INSTRUCTION MANUAL

WARNING: READ INSTRUCTION MANUAL BEFORE USE



# ASW338 LM

TACTICAL PRECISION SNIPER RIFLE  
6mm Bolt Action System Series  
Manufactured by VegaForceCompany Made in Taiwan



UNIVERSO SNIPER  
AIRSOFT

## SPEC

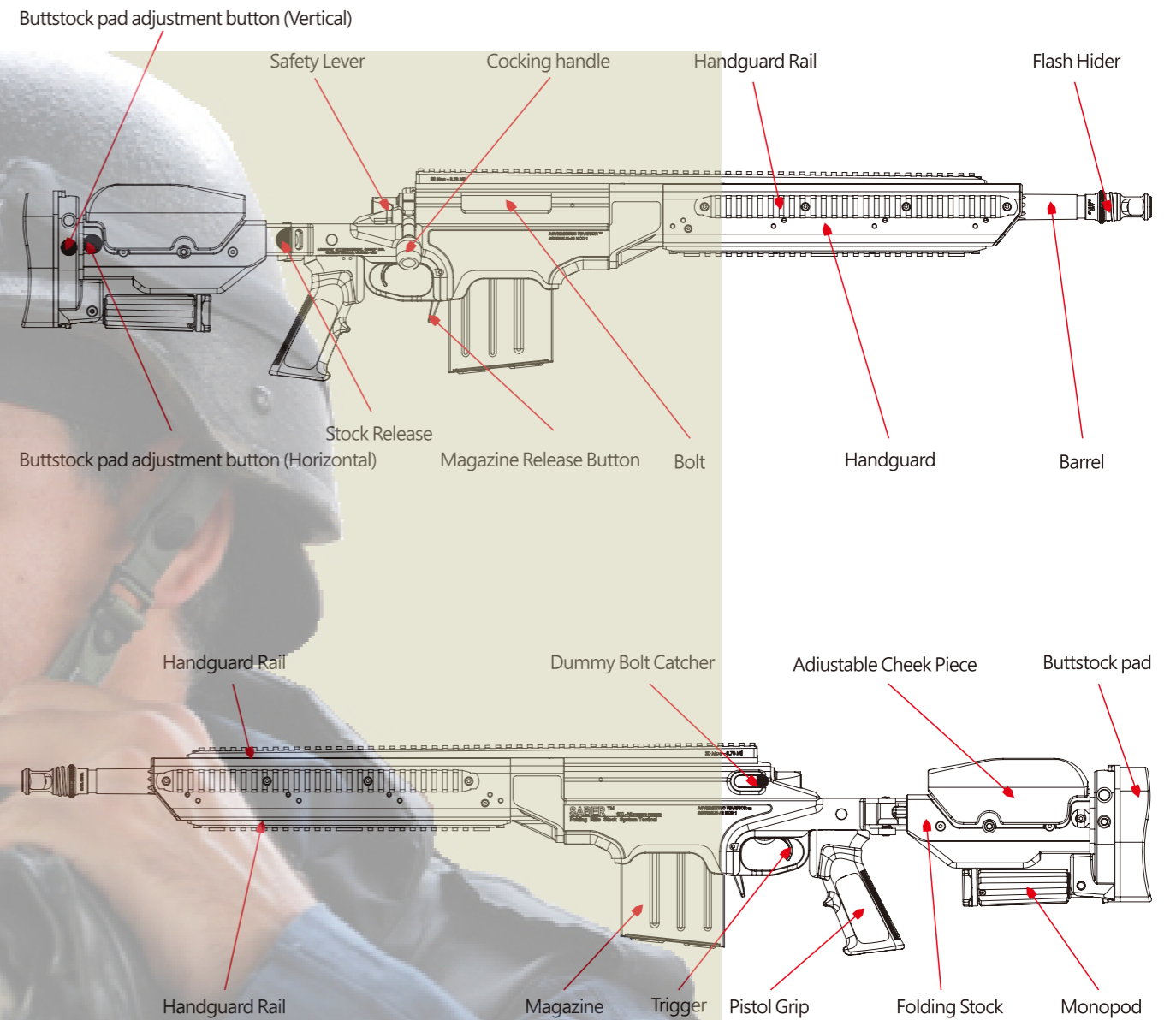
- Over all - 810/1060 mm
- Weight - 5000 g
- Material - Metal / Nylon
- Velocity - 120 m/s
- Inner Barrel Length - 420 mm
- Inner Barrel Diameter - 6.02 mm
- Caliber - 6mm
- Magazine Capacity - 40 rounds

**WARNING: READ INSTRUCTION MANUAL BEFORE USE**

## Component Name

### CAUTION:

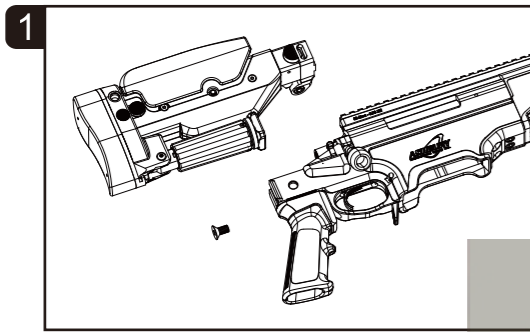
Congratulations with your new ASW338LM Airsoft gun. Read through this manual before use.



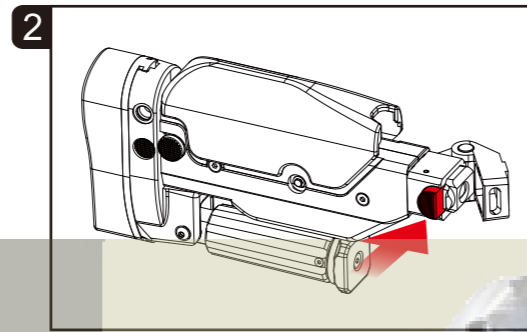
### WARNING:

**NOT A TOY. Adult supervision required. Misuse or careless use may cause serious injury or death. Always wear eye-protection when using this products. Read and follow instruction carefully before use. This product is a high-powered Airsoft gun, recommended for adult use (18 years and up.)**

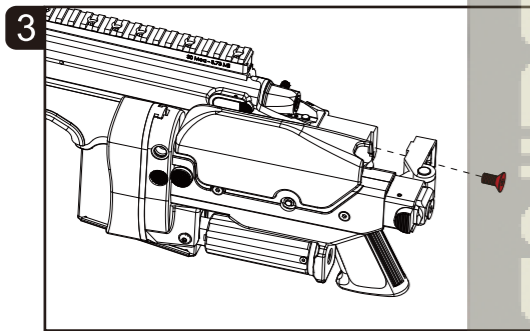
## ■ Stock Assembly



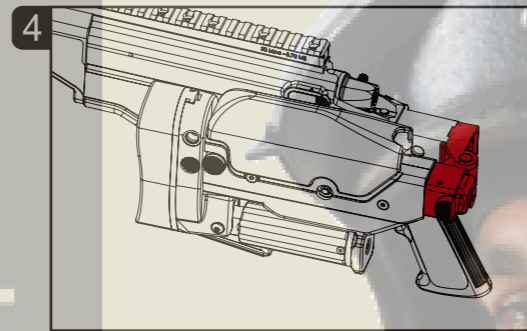
- The package includes main body, a stock and a screw.



- Push the button to release the hinge.

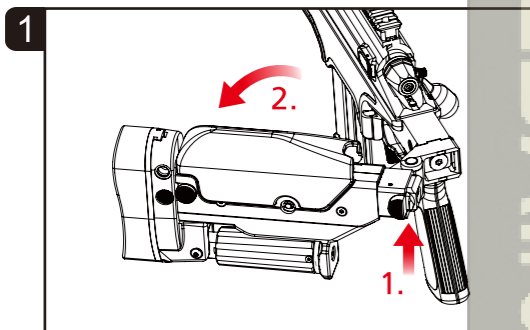


- Use the allen wrench ( included in box ) to tighten the screw.

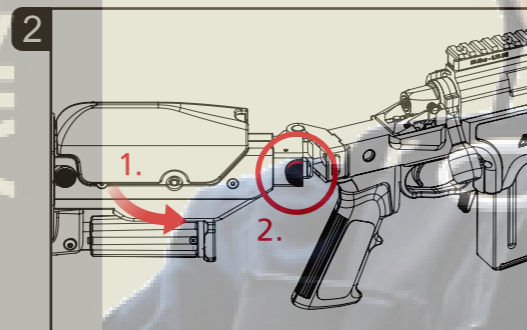


- Make sure the stock is stable.

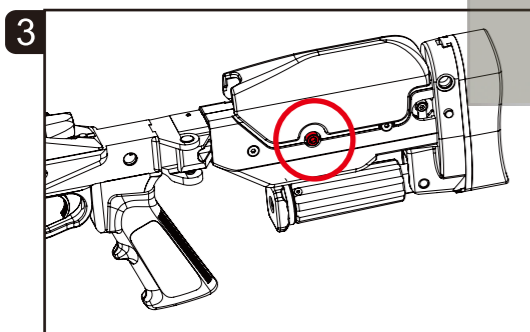
## ■ Adjust Folding Stock



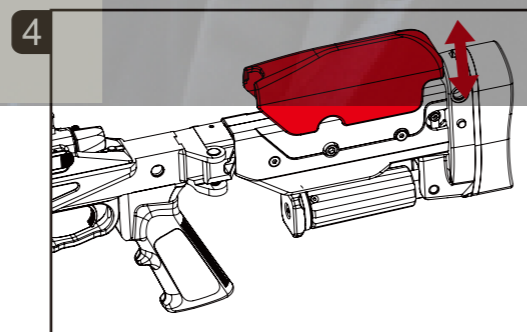
- Push the stock upward to unfold.



- Push the button to close the stock in place.

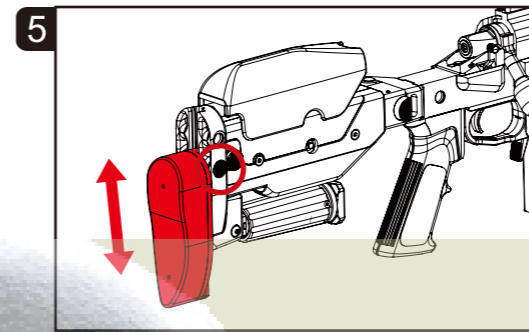


- Release the screw to adjust the cheek piece.

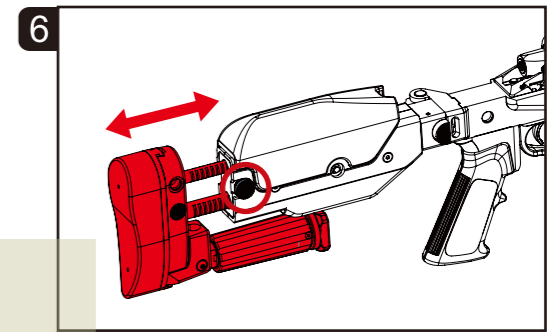


- The cheek piece can be adjusted vertically.

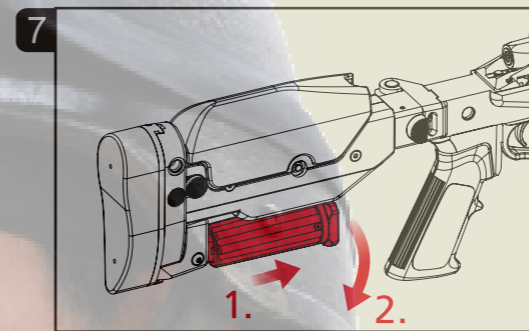
## ■ Adjust Folding Stock



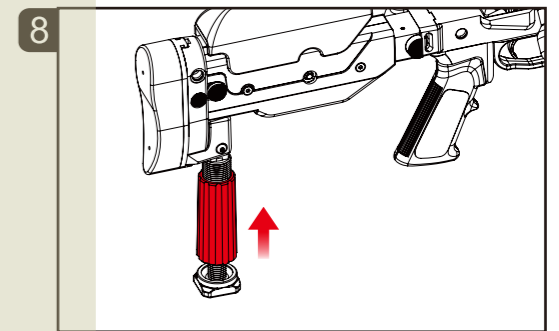
- Push the button to adjust the buttstock pad vertically.



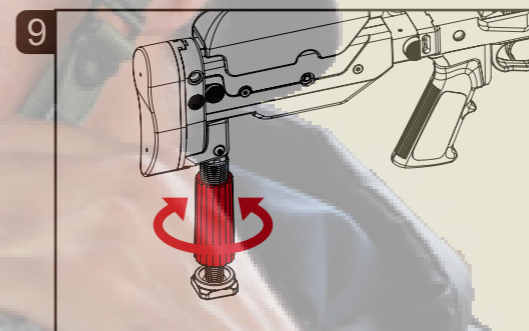
- Press the button to adjust the buttstock pad horizontally.



- Pull the monopod and fold it downwards.

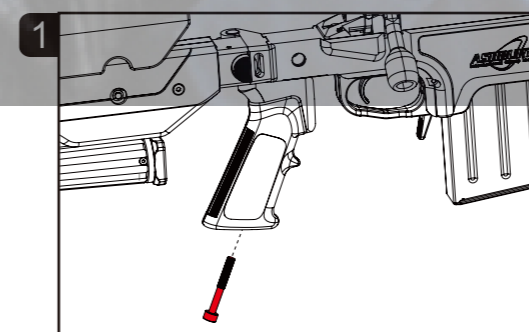


- Press the monopod upwards to lock it in place.

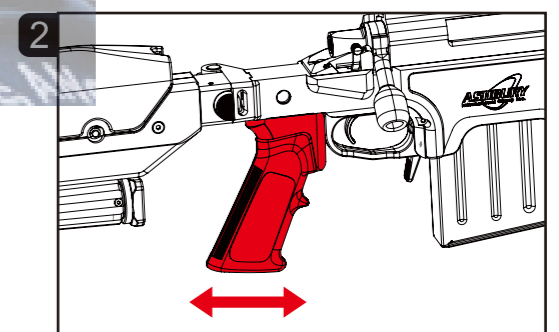


- Adjust the height of the monopod by rotating the handle.

## ■ Adjust Grip

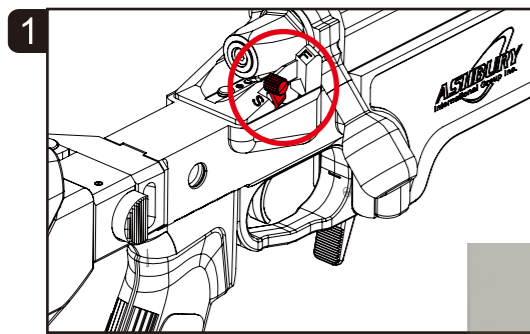


- Release the screw inside the grip.

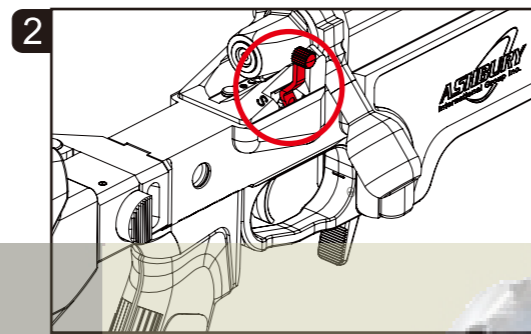


- Adjust the grip horizontally.

## ■ Safety

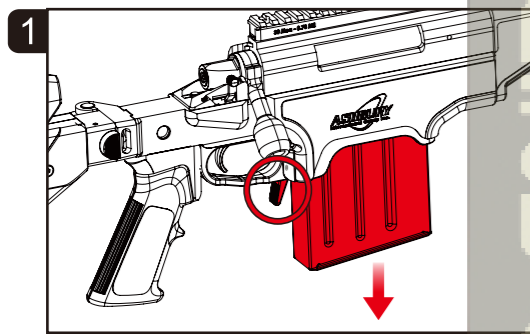


■ Safety position.

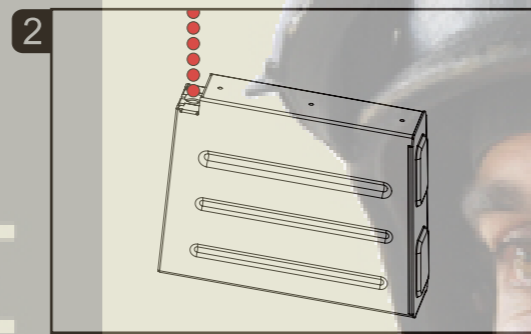


■ Off safe position.

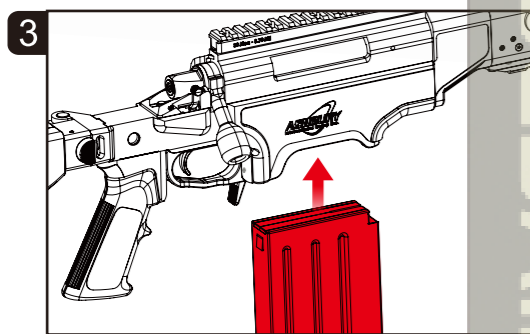
## ■ BBs Load



■ Push the magazine release button and pull out the magazine.

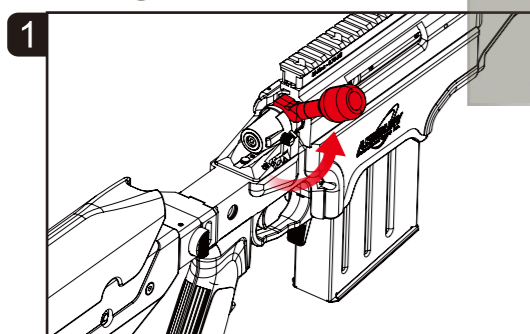


■ Load 6mm BBs into the magazine.

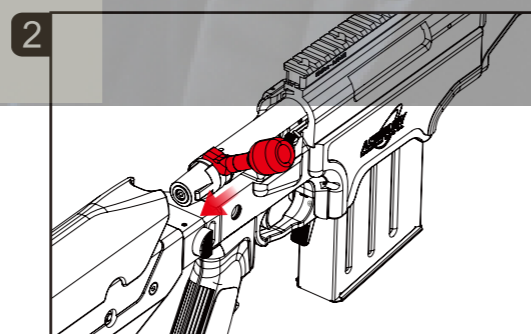


■ Insert the magazine until a click is heard.

## ■ Firing

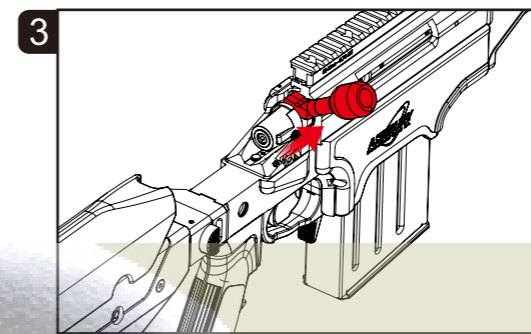


■ Move the cocking handle upward.

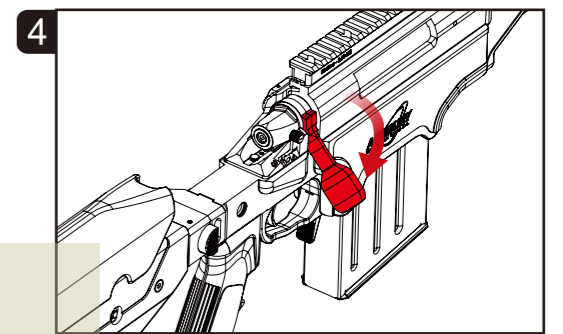


■ Pull back the cocking handle.

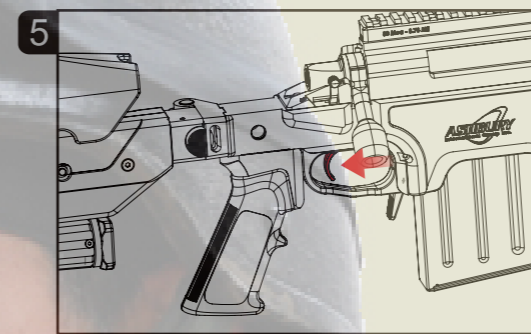
## ■ Firing



■ Push the cocking handle forward.



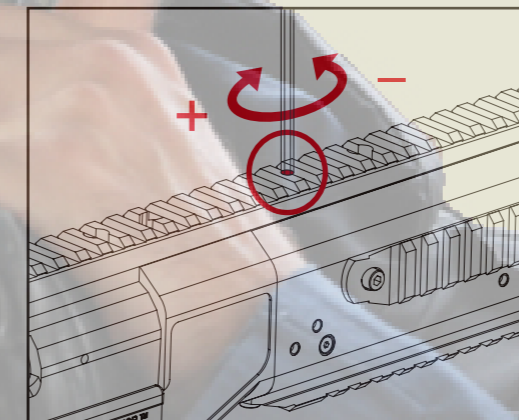
■ Move the cocking handle downward to close the bolt.



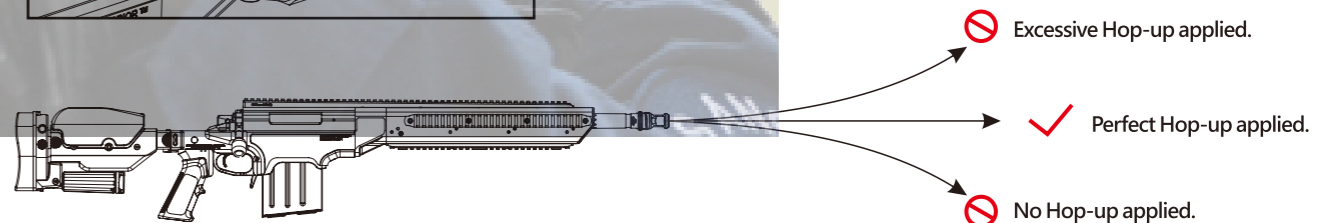
■ Pull the trigger when ready to fire.

## ■ Hop-up Adjustment

By applying a back-spin to the BBs when firing, the trajectory of BBs can be altered in order to obtain better flight and precision of the BBs—referred to as the Hop-up system. There are two types of Hop-up systems; the fixed and the adjustable. The adjustable Hop-up system allows for fine-tuning the trajectory of the bbs.



■ Gradually rotate the allen wrench (included in box) forward and fire a round or two to see the effect.

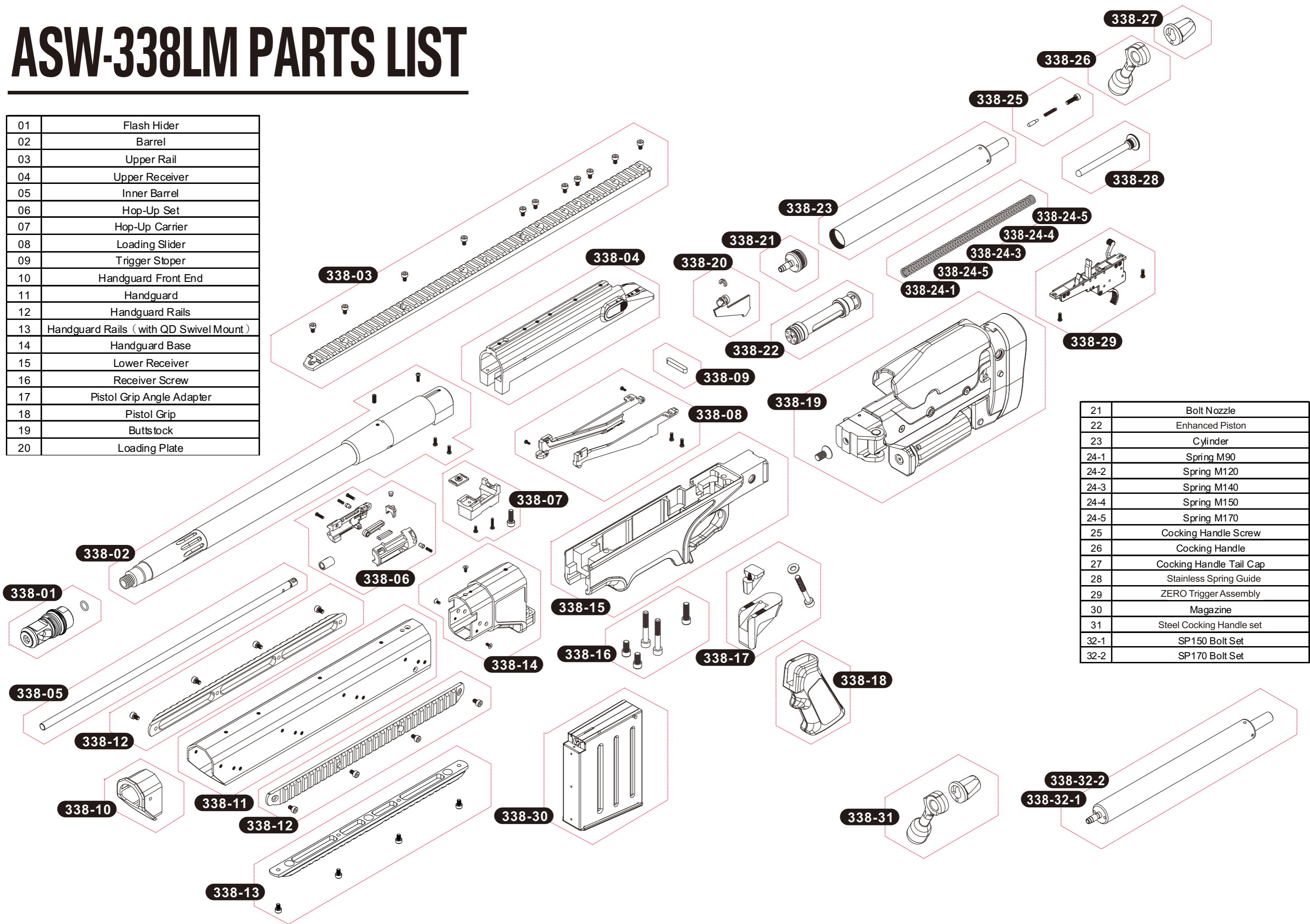


## ⚠ CAUTION

- The Hop-up function can be unstable the first 200-300 rounds after applying oil. Oil should be applied for ca. every 10,000 rds. fired.
- Turning the Hop-up dial excessively can cause the BBs to clog the Airsoft gun and damage the piston and gears. Reset the adjustment dial to normal and readjust the Hop-up.

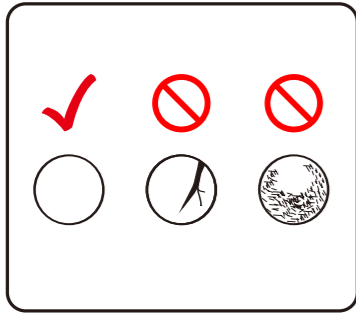
# ASW-338LM PARTS LIST

01	Flash Hider
02	Barrel
03	Upper Rail
04	Upper Receiver
05	Inner Barrel
06	Hop-Up Set
07	Hop-Up Carrier
08	Loading Slider
09	Trigger Stopper
10	Handguard Front End
11	Handguard
12	Handguard Rails
13	Handguard Rails ( with QD Swivel Mount )
14	Handguard Base
15	Lower Receiver
16	Receiver Screw
17	Pistol Grip Angle Adapter
18	Pistol Grip
19	Buttstock
20	Loading Plate



21	Bolt Nozzle
22	Enhanced Piston
23	Cylinder
24-1	Spring M90
24-2	Spring M120
24-3	Spring M140
24-4	Spring M150
24-5	Spring M170
25	Cocking Handle Screw
26	Cocking Handle
27	Cocking Handle Tail Cap
28	Stainless Spring Guide
29	ZERO Trigger Assembly
30	Magazine
31	Steel Cocking Handle set
32-1	SP150 Bolt Set
32-2	SP170 Bolt Set

## Warning



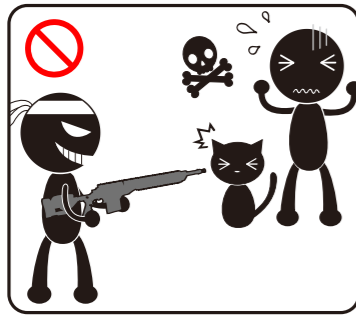
- Always use precision 6mm BBs for this Airsoft gun. Never use any used or damage BBs.



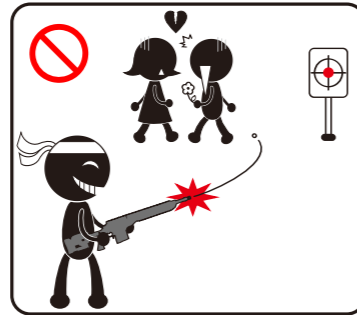
- Always wear safety goggles when using your Airsoft gun.



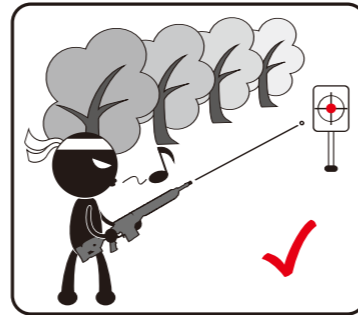
- Do not look directly into the gun barrel.



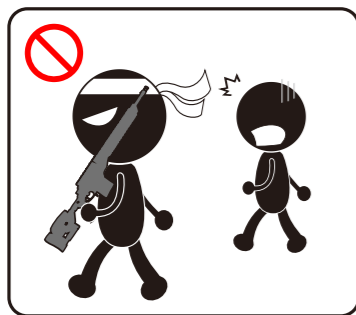
- Never aim nor shoot at people nor animals. Always set the selector in "safe" position. (except when you are ready to shoot a target.)



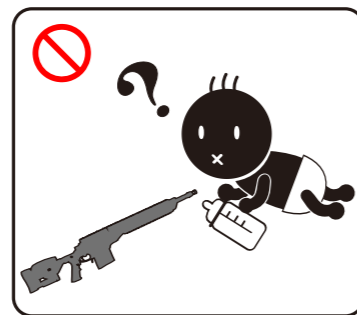
- Be sure of what is around the target.



- Select a safe place for operation the Airsoft gun. Avoid shooting in public places.



- When transporting your Airsoft gun always set the selector lever on "safe", and place the Airsoft gun in a case or bag.



- Keep the Airsoft gun away from under 18-year-old personnel.



- Do not disassemble gun yourself. Always contact your local retailer.
- No modify introduction.

## WARNING:

**NOT A TOY. Adult supervision required. Misuse or careless use may cause serious injury or death.**  
Always wear eye-protection when using this products. Read and follow instruction carefully before use.  
This product is a high-powered Airsoft gun, recommended for adult use (18 years and up.)

**APO**  
ASHBURY PRECISION ORDNANCE

# ASW338 LM

TACTICAL PRECISION SNIPER RIFLE

6mm Bolt Action System Series

Manufactured by VegaForceCompany Made in Taiwan



VegaForceCompany  
<http://www.gb-tech.com.tw>