



VegaForce Company

<http://www.gb-tech.com.tw>



VegaForce Company

<http://www.gb-tech.com.tw>

UNIVERSITY



EGLM

MK13 MOD 0

ENHANCED GRENADE LAUNCHER MODULE

使用說明書

HANDLING CAUTIONS AND INSTRUCTION MANUAL

4F-6, No.14, Xiwei St., Sanchong City, Taipei County 241, Taiwan

TEL : 886-2-2287-9427 FAX : 886-2-2287-9450

Email : gb.tech@msa.hinet.net



對象年齡十八歲以上 User restricted to 18 years of age or older

使用前請務必詳讀此說明書

Always read through this manual before operation.

Contents

1 History	P.03
2 Profile	P.04
3 Component name	P.05
4 Component name	P.06
5 Setting	P.07
6 Safety	P.09
7 Loading Grenade	P.10
8 Enhanced Butt stock	P.11
9 Sight	P.11
10 Shooting	P.12
11 Parts List	P.13
12 Q&A	P.15
13 the SCAR Family	P.16

WARNING !

Always read through this manual before operation

- ❑ Always wear eye protective gear.
- ❑ Never aim or shoot a person or animal as the target.
- ❑ You may be punished if you are shooting for practical joke.
- ❑ Never look into the gun muzzle.
- ❑ Always direct the muzzle towards a safe direction.
- ❑ Never shoot the air gun at places where people and cars pass cross.
- ❑ Avoid pulling the trigger carelessly.
- ❑ Please put away your fingers from the trigger, except when you are ready to shoot a target.
- ❑ Always put the gun in a case or bag when you are carrying it.
- ❑ Store the gun at places out of reach by children.

WARNING !

Always read through this manual before operation

1 History

Approximately two months before the SCAR rifle samples were to be delivered to USSOCOM, USSOCOM merged the EGLM (Enhanced Grenade Launcher Module) program with the SCAR program. Bidders were given only two months to completely design not only the EGLM but also the sighting system. The EGLM weapon system consists of a 40mm weapon/grenade launcher, fire control and a stand-alone butt-stock assembly.

On 23 March 2004 the USSOCOM modified for the EGLM shall be a single shot, 40mm grenade launcher module that will interface with the SCAR Light (5.56mm) and the SCAR Heavy (7.62mm) assault rifles and shall also possess a stand-alone capability.

On March 25, 2004 the United States Special Operations Command (USSOCOM) revised the SOF Combat Assault Rifle (SCAR) to include the Enhanced Grenade Launcher Module (EGLM) system. The EGLM became part of the SCAR weapon system.

Mid 2008, FN SCAR assault rifles, chambered in either 5.56x45mm or 7.62x51mm caliber and the 40x46mm enhanced grenade launcher module, all developed under the USSOCOM SCAR program.

The FN EGLM can also be mounted on a stand alone frame with the simple change of it's trigger pack module.

This allows the launcher to be mounted, complete with sighting systems on a accessory-compatable frame.

The FN EGLM is an underslung 40mm grenade launcher module which compliments the FN SCAR weapon series, as well as the earlier FN 2000.

The most notable feature of this grenade launcher is that, when mounted on a weapon, has its trigger located underneath the trigger of the assault rifle, and therefore negates the need to alter grip significantly. In this set-up the trigger can be operated by the middle finger of the firing hand, without moving it from the pistol grip of the rifle. It is a fully ambidextrous design and doesn't required to be cocked before each shot. This ambidexterity also includes a canting barrel to facilitate loading from either side of the weapon.

Emerging from USSOCOM's SCAR program, the MK 16, MK 17 and MK 13 weapons system is highly modular and intended to be easily adaptable to future upgrades and enhanced ammunition designs. They are also built with an eye toward the economic realities and small logistic footprint requirements of today's highly mobile military.

2 Profile

Vega Force Company always pursues the ultra high quality, realistic and extreme symbolize air soft. Such a meaningful weapon system, the RD team of VFC paid a lot of effort and cost to develop this first modular weapon system of 21 century to SCAR fans.

VFC MK13 Mod 0 grenade launcher system is the last item of SCAR series of VFC. SCAR series most important part is "modular". Our MK 13 Mod 0 completes all SCAR series and also realizes the "module design" in the SCAR series. The VFC MK13 Mod 0 has the same size and the procedure of disassembly as real one, which more realistic and unassailable.

It has those features:

- ▶ **4 CNC machining rails MK13 Stand-alone launcher system**
You can put any thing on the rails. If that thing can put on the rails!
- ▶ **Rotating locking breech system**
Just like the real one.
- ▶ **Single-shot, manual pump-action**
One shot many kill.
- ▶ **Barrel can open left and right 15 degrees.**
Any kind 40 mm grenade can put in.
- ▶ **6/dextrorotations simulation rifling**
Just for looking.
- ▶ **Barrel can Quick-detachable from main body**
To convenient change the barrel.
- ▶ **4 levels enhanced butt stock**
It fit any size person to use.
- ▶ **Quick-detachable Mechanical quadrant sight**
It gives you an exact shoot.
- ▶ **Stand-alone /7.62/ 5.56 trigger pack module**
Easily change different style grenade launcher.

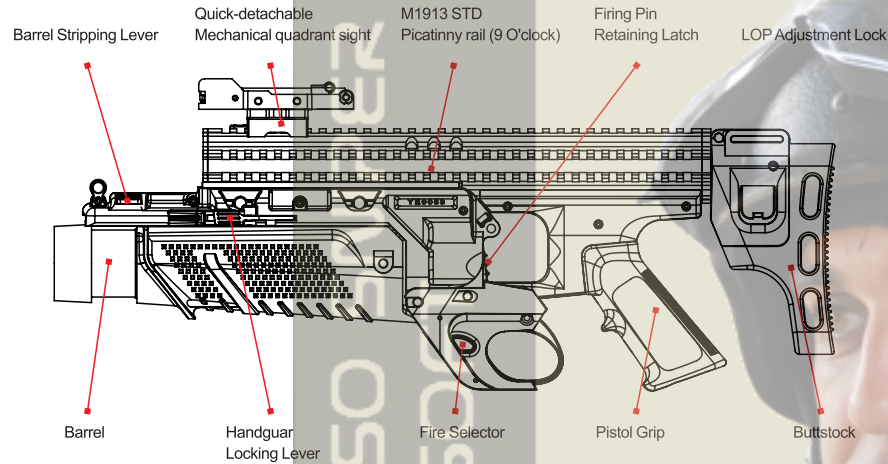
The design concept of VFC MK13 Mod 0 is "to guarantee quality and performance by mellow and stable technology, attach intimate and unique function from user's point of view. "It is just same with FN SCAR.

Thought VFC only manufacture air soft guns. The application of research and manufacture is no different from other real gun maker around the world.

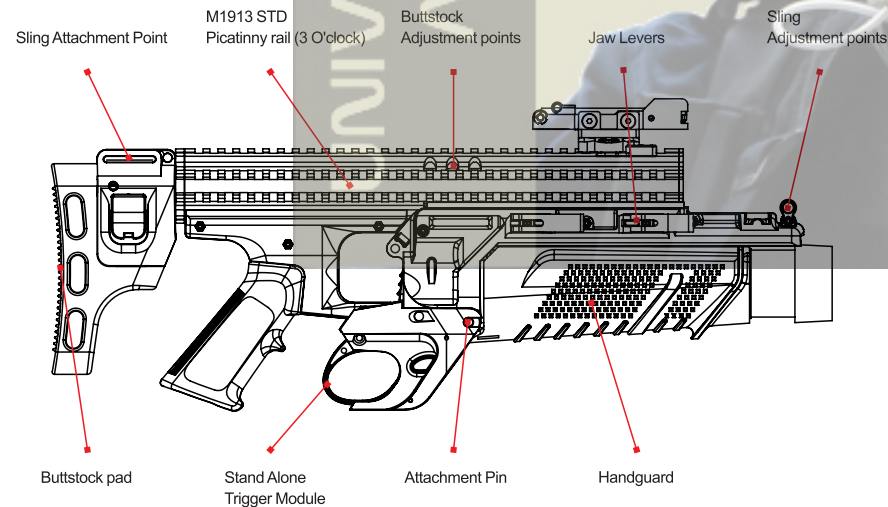
3 Component name

MK13 MOD 0 Stand-alone Launcher

Left Side



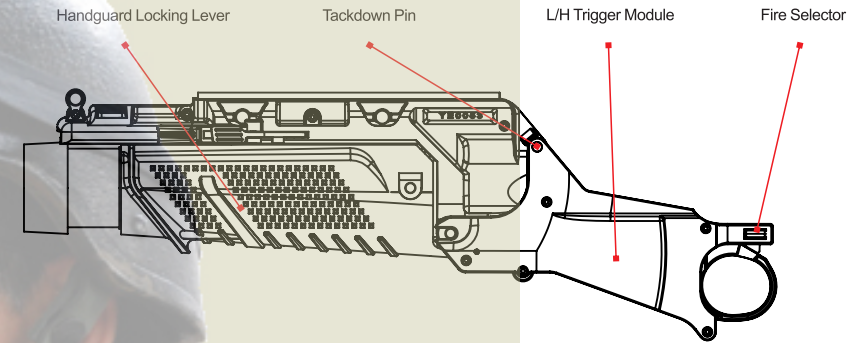
Right Side



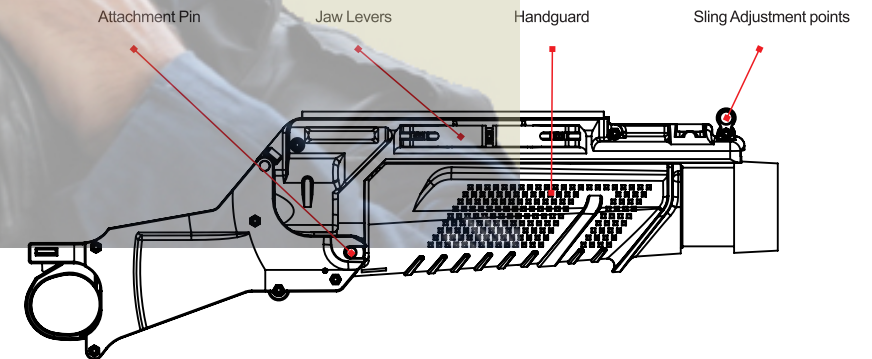
4 Component name

MK13 MOD 0 Launcher Mount for MK17 and MK16

Left Side

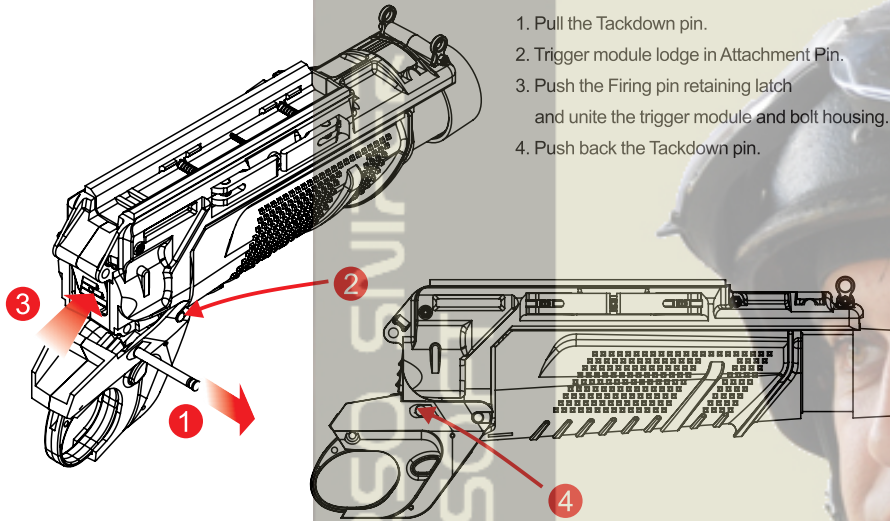


Right Side



5 Setting

5-1 Launcher & trigger pack module

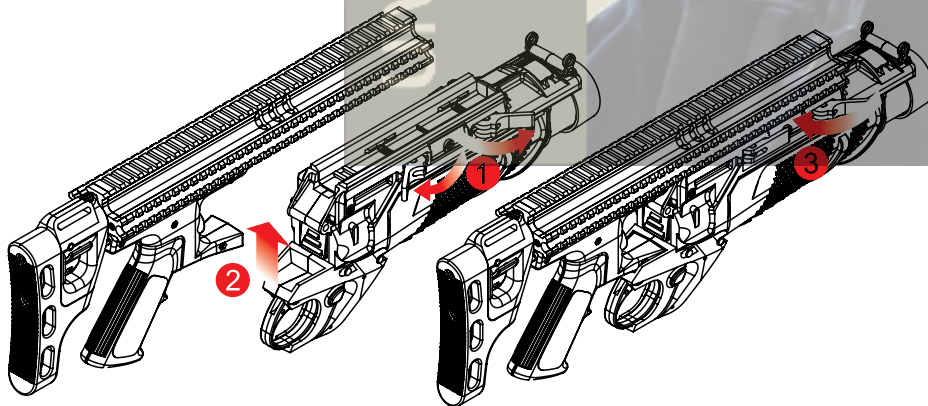


1. Pull the Tackdown pin.
2. Trigger module lodge in Attachment Pin.
3. Push the Firing pin retaining latch and unite the trigger module and bolt housing.
4. Push back the Tackdown pin.

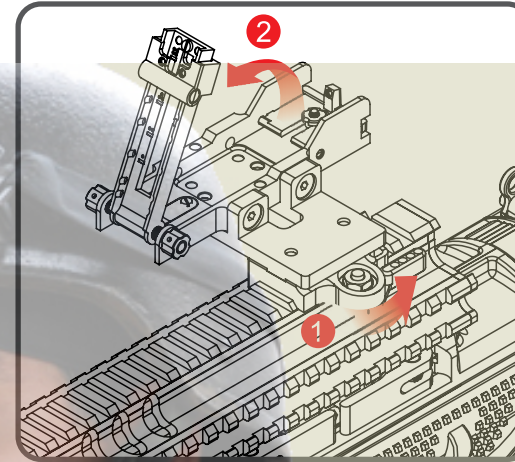
5-2 Stand-alone launcher & launcher

1. Open the Jaw levers.
2. Main launcher combine with Tactical rail.
3. Lock on Jaw levers.

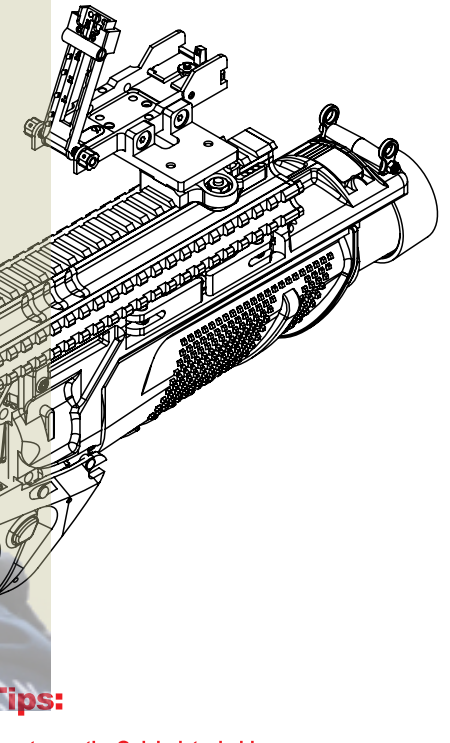
Warning Caution :
Please check the Main launcher and Tactical rail close fitting and Quick-detachable system is locked.



5-3 Quick-detachable Mechanical quadrant sight



1. Lock the Quick-detachable system on M1913 STD Picatinny rail (12 O'clock).
2. Pull up the Rear sight.

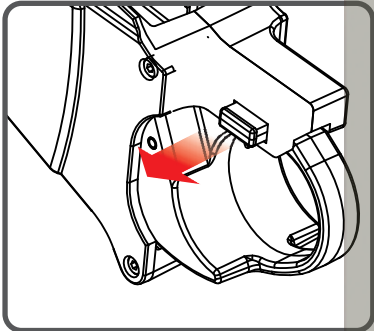
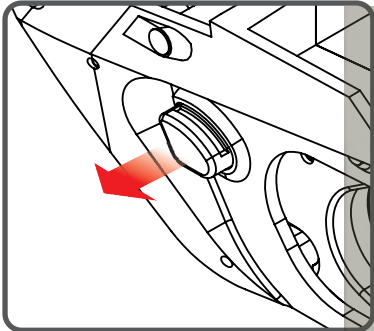


Tips:

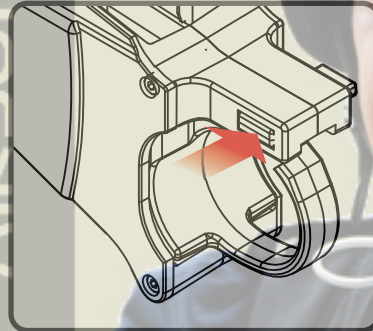
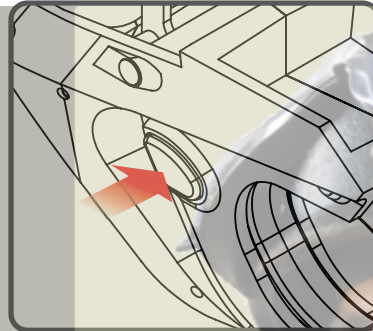
How to use the Quick-detachable Mechanical quadrant sight? please consult page 11.

6 Safety

Fire



Safe



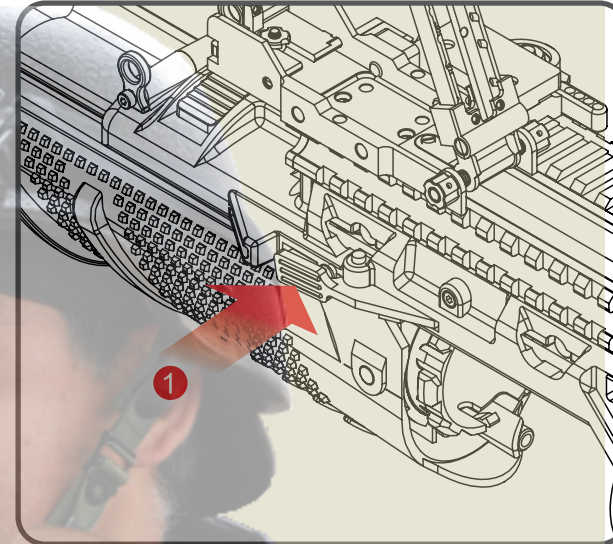
Tips:

1. Never operation the selector while pulling the trigger.
Otherwise, malfunctions are possible, resulting in accidents.
2. Pulling the trigger with the selector being set to safe may damage the gun.

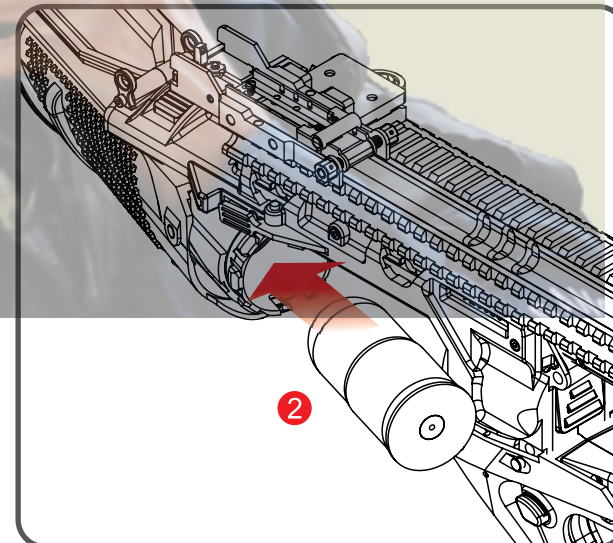
Warning Caution:

always set the lever to safety position when you are not firing the gun or during storage.

7 Loading Grenade

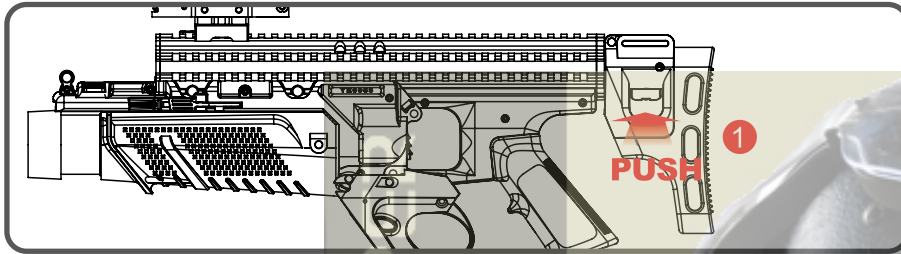


1. Push the Handguard Locking Lever to open the bolt.

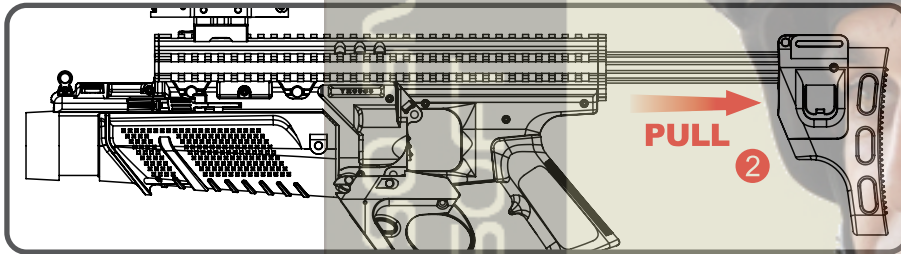


1. Barrel need push forward and turn left or right, load the ammo.

8 Enhanced Butt stock

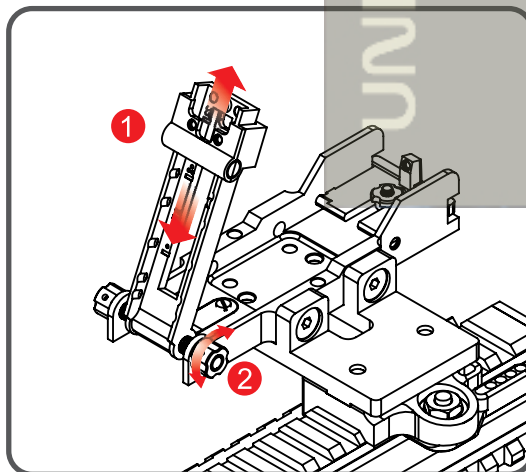


1. Push the LOP Adjustment Lock



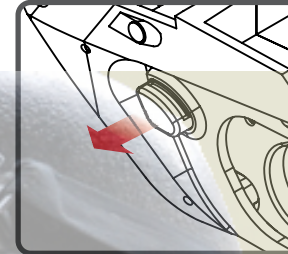
2. Pull the Buttstock and adjust the position of Buttstock (4 position)

9 Sight

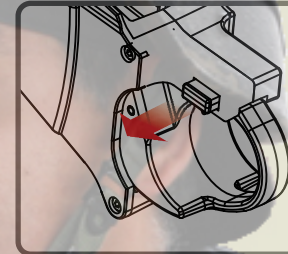


1. Adjust the position of rear sight (up and down)
2. Adjust the position of rear sight (left and right)

10 Shooting



1 Push the safety selector to fire position.

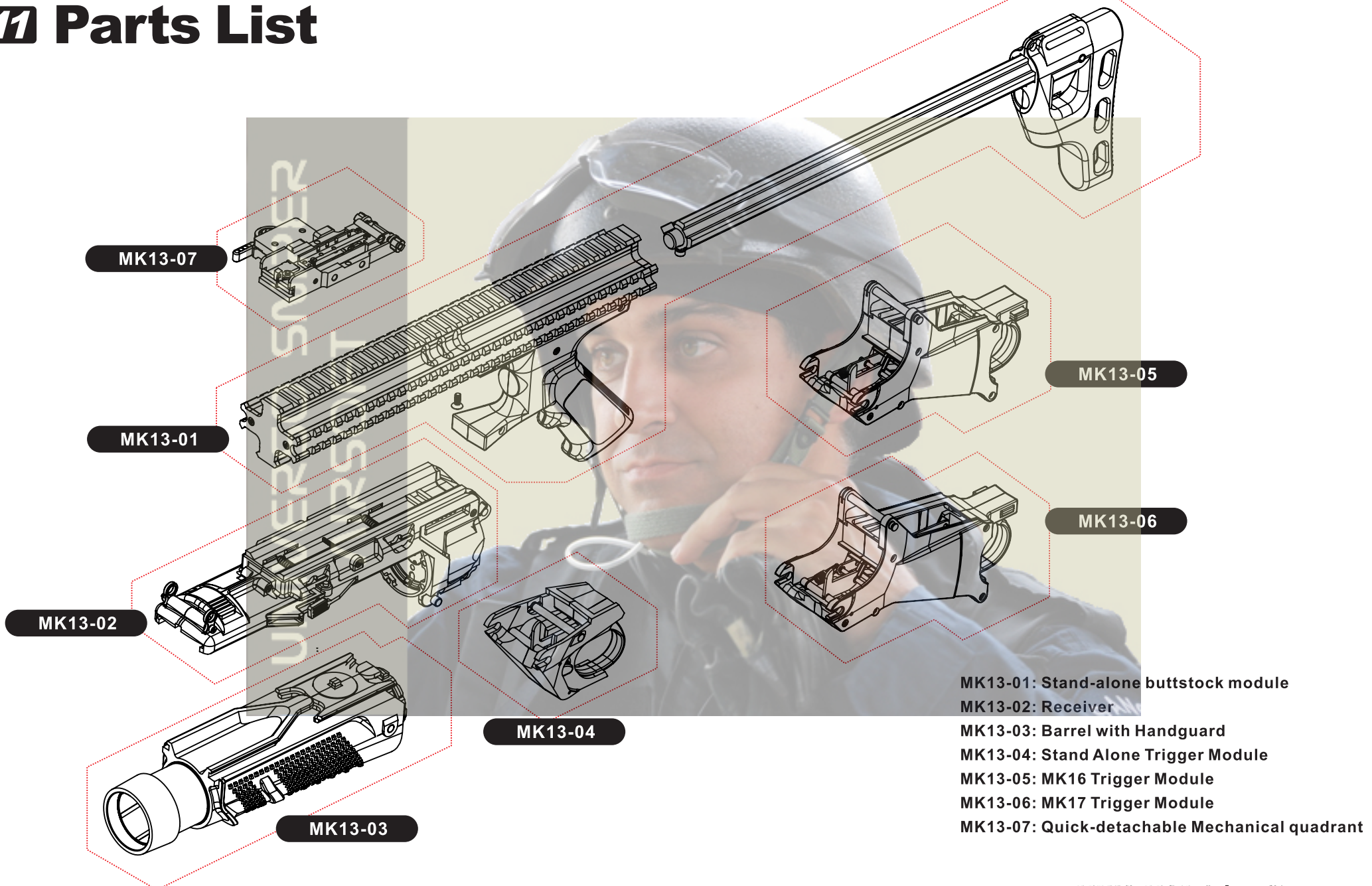


2 Pulling Trigger to fire.

Tips:

- Confirm safety sufficiently before beginning firing.
- Activating the trigger carelessly is extremely dangerous.
- Never put your finger onto the trigger unless you are ready to shoot a target.

11 Parts List



- MK13-01: Stand-alone buttstock module
- MK13-02: Receiver
- MK13-03: Barrel with Handguard
- MK13-04: Stand Alone Trigger Module
- MK13-05: MK16 Trigger Module
- MK13-06: MK17 Trigger Module
- MK13-07: Quick-detachable Mechanical quadrant

12 Q & A

Q: Main launcher and Tactical rail was loosens.

A: Please check the Main launcher and Tactical rail close fitting and Quick-detachable system is locked.

Q: Quick-detachable system distortion.

A: Please contact your dealer.

Q: The trigger could not be pulled after change the MK16/17 mount.

A: When trigger module combine with bolt housing. You must do this step; push the firing pin retaining latch and unite the trigger module and bolt housing.

Q: The ammo can not load in to the barrel.

A: When you load the ammo, before the barrel need push forward and turn left or right.

Q: The barrel and bolt housing could not separate.

A: Please hold muzzle ring and turn it left.

Q: The trigger module can not combine with SCAR.

A: Please check the trigger module type. The MK16 trigger module must combine with SCAR L. MK17 trigger module must combine with SCAR H.

Q: Why the MK13 launcher can't combine with other guns that have the tactical rail.

A: The MK13 launcher just for SCAR series, not include the SSR. Please don't combine with another gun.

13 the SCAR Family

SCAR LIGHT GEN III



MK16 STD BLK. ▶

MK16 STD FDE. ▶

◀ MK16 CQC FDE.

SCAR HEAVY GEN III

◀ MK17 CQC

MK16 STD BLK. ▶

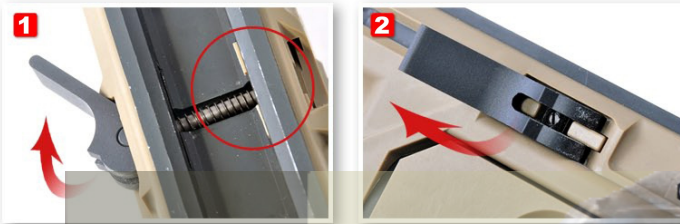
SCAR H SSR ▶

SCAR
GEN III & IV
GBB series
Coming soon

EGLM Instruction Manual

MK13 MOD 0 MOUNTED ON MK16

- 1 Loosen the Jaw levers, if you detect the tenon emerge from the sideway.
- 2 There have a screw in the Jaw Levers.
- 3 Adjustment the screw to clock-wise.
- 4 Until the tenon not emerge from the slideway.



- 5 Setting the magazine.

- 6 MK16/17 launcher Mount combines with SCAR's 6 O'clock M1913 STD rail.

ATTENTION: EGLM must paralleled SCAR's 6 O'clock M1913 STD rail

Sway the launcher; make sure the rail close fitting. The trigger module need very close with Trigger guard.

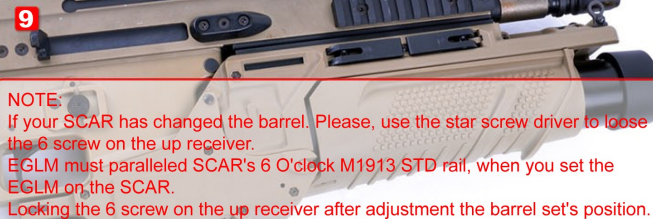


- 7 Lock on Jaw levers. If you can easily lock on Jaw levers, that is correct. If not, please go back the step to reset the reset the launcher. Do not force to lock the Jaw levers for fear the tenon broken.



- 8 Please, adjustment the screw, if the EGLM loose.

- 9 If you want take apart the EGLM. Please, loosen the screw.



NOTE:
If your SCAR has changed the barrel. Please, use the star screw driver to loose the 6 screw on the up receiver.
EGLM must paralleled SCAR's 6 O'clock M1913 STD rail, when you set the EGLM on the SCAR.
Locking the 6 screw on the up receiver after adjustment the barrel set's position.

EGLM Instruction Manual

MK13 MOD 0 MOUNTED ON MK16

- 1 鬆開快拆裝置，如發現軌道固定卡榫露出。

- 2 快拆裝置內有一字小螺絲。

- 3 順時針調整快拆裝置內的小螺絲。

- 4 直到軌道固定卡榫不露出快拆夾座。

- 5 將SCAR插上彈匣

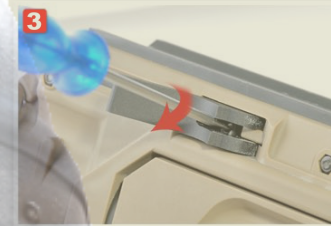
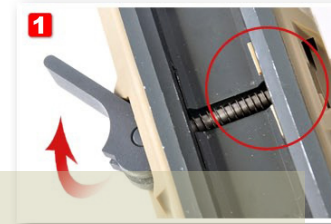
- 6 將EGLM發射模組板機，透過彈匣裝上SCAR下軌道，左右搖晃榴彈發射器以確定固定夾座與軌道確實密合，注意板機組與SCAR護弓間隙必須密合。

注意：裝設EGLM時必須要將EGLM平行裝上SCAR下軌道。

- 7 將快拆模組扳至定位。如裝置正確可輕鬆將快拆模組扳至定位，如無法將快拆模組扳至定位請回到上一步驟重新組裝。切勿用力將其扳至定位以免造成軌道固定卡榫損傷。

- 8 如EGLM會晃動，請將快拆裝置內小螺絲旋緊。

- 9 完成。



附註：
假如您的SCAR有拆卸過槍管，建議先放鬆SCAR L上固定槍管組的六根螺絲。在裝設EGLM時要將EGLM平行裝上SCAR下軌道，然後調整好槍管組位置，再把槍管固定螺絲鎖緊。