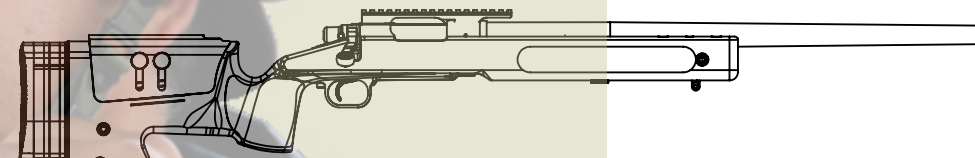




VegaForce[®]Company
www.gb-tech.com.tw



SNIPER RIFLE, 6mm, M40A3

Before using this bolt action airsoft rifle, read and follow the instructions.

Always treat a weapon as if it was loaded.

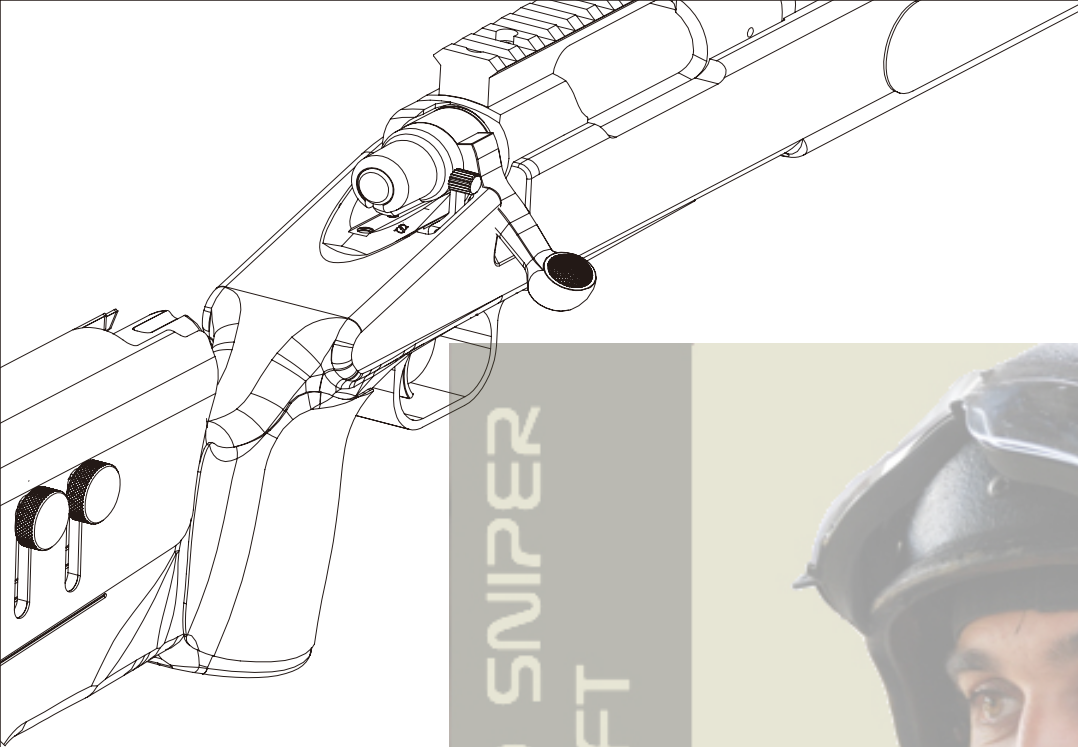
Never load the weapon in any situation except when you intend to fire it.

Keep your finger away from the trigger.

Wear goggles before shooting.

Always use the high quality BBs.

Always point the barrel in a safe direction.



UNIVERSO SNIPER
AIRSOFT



VegaForce[®]Company
www.gb-tech.com.tw



No.68, Jianguo 2nd Rd., Xinzhuang Dist,
New Taipei City 242, Taiwan
Phone: +886-2-2203-6630
Fax: +886-2-2203-6610
e-Mail: service@vegaforce.com.tw

Table of Contents

CHAPTER1.

Component Names01

CHAPTER2. Operation Guide

Safety setting02

Loading BBs02

Shooting03

HOP UP Setting03

Stock Adjustment03

CHAPTER3.

Trouble Shooting04

CHAPTER4.

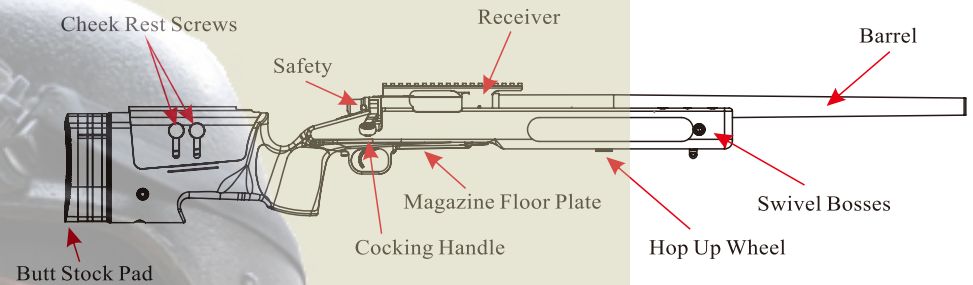
Parts List06

Optional Parts / Upgrades08

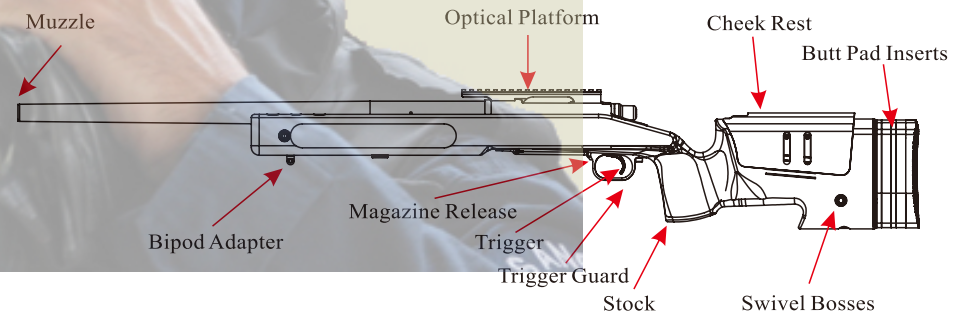
After Service09

Component Names

Right Side.



Left Side.



Specifications SNIPER RIFLE, 6mm, M40A3

- Over all: 1125 mm
- Inner barrel: 470 mm
- Weight: 3000 g
- Bullet: 6 mm
- Capacity: 20 rounds
- Muzzle speed: 120 m/sec

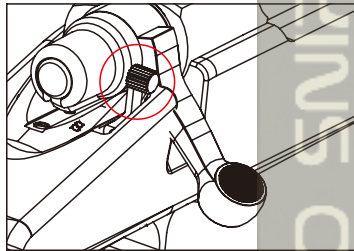
Operation Guide

Safety setting

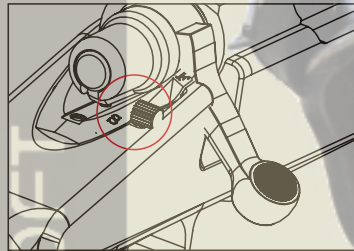
- Safety lever backward toward S position refers to "safety on", DO NOT pull the trigger while safety is on, otherwise the trigger unit will be damaged.
- Safety lever forward toward "F" position refers to "safety off". DO NOT have it on unless you intend to fire.

NOTE:

Keep safety on during transportation and storage



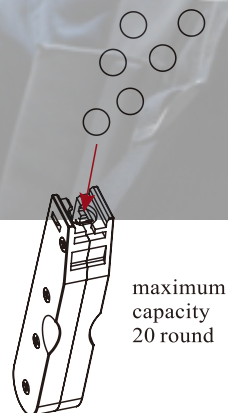
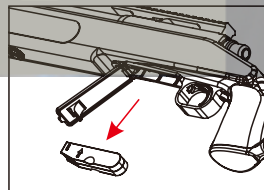
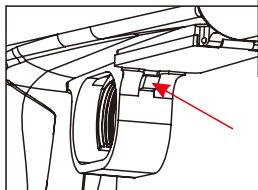
Safety off



Safety on

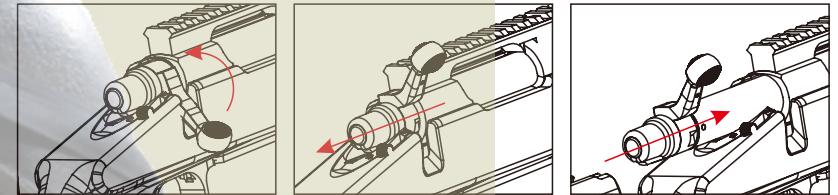
Loading BBs

- Open the magazine floor plate.
- Take out the magazine.
- Loading BBs into the magazine
- Put back the magazine (follow the direction arrow).
- Close the magazine floor plate.



Shooting

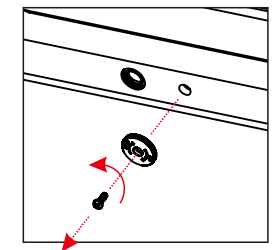
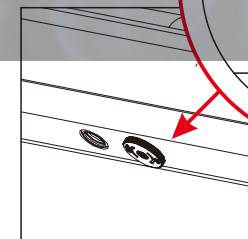
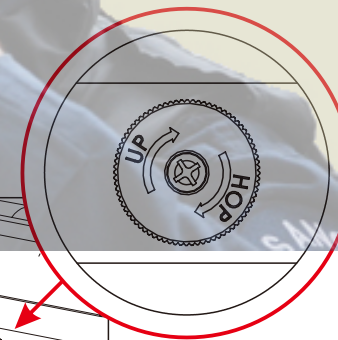
- Rotate the cocking handle counter-clockwise to the vertical position, and pull the bolt all the way back until a "click" sound heard.
- Push the bolt forward and rotate down the cocking handle.
- Push the safety lever forward towards the 'F' position to disengage the safety mechanism.
- Ready to pull the trigger to fire.



HOP UP Setting

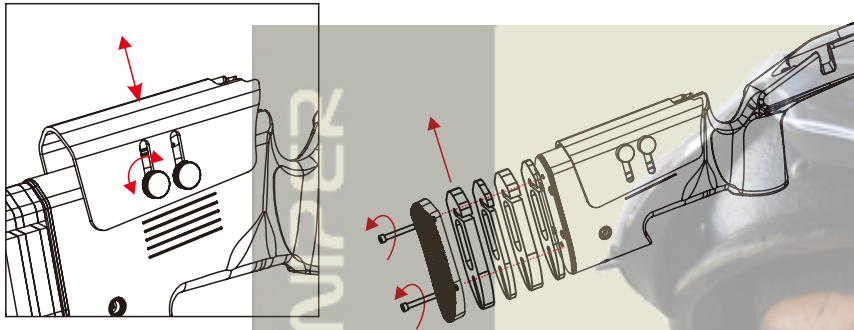


- Wheel it clockwise to INCREASE HOP UP.
- Wheel it counter clockwise to DECREASE HOP UP.



Stock Adjustment

- Check rest: loose the check rest screws, and lift the check rest up or down.
- Loose the screw in the butt stock pad, and remove or add the butt pad inserts for best fitting.



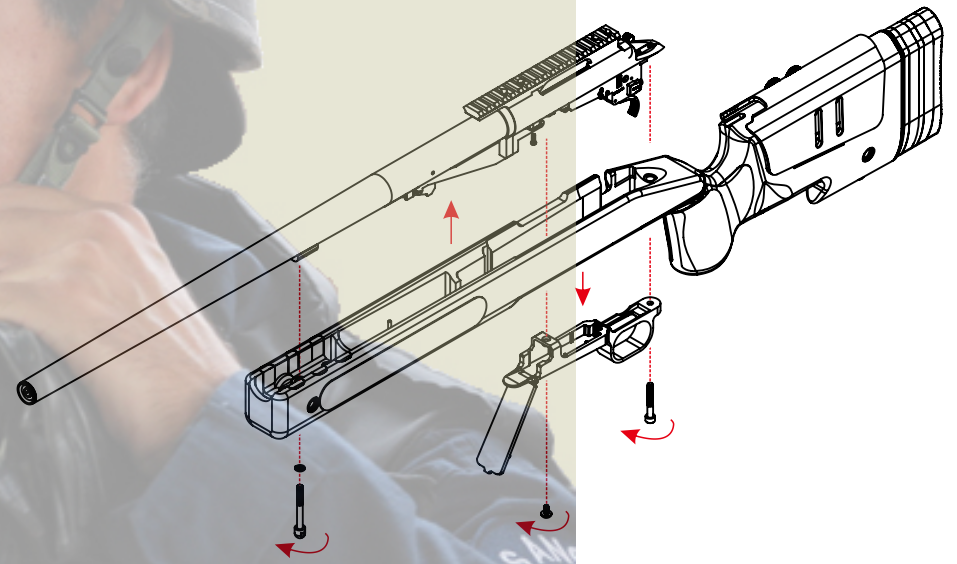
※ If the problem is still exist, please move on to Step B

Step B

Caution:

Before you take down the receiver assembly, please have the safety on and wheel counter clockwise to disable hop up completely.)

- Upside down the rifle.
- Remove the indicated screws and pull out the trigger guard.
- Unsecure the indicated screws on the loading slider and remove it.
- Pull the bolt backwards and remove all the BBs in the chamber and loading unit.



Trouble Shooting

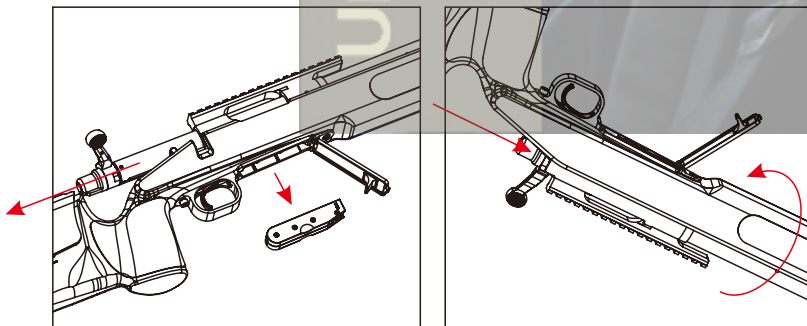
Cannot cock the bolt in appropriate position

Caution:

DO NOT force to push the bolt forward. The loading slider and loading plate will be damaged.

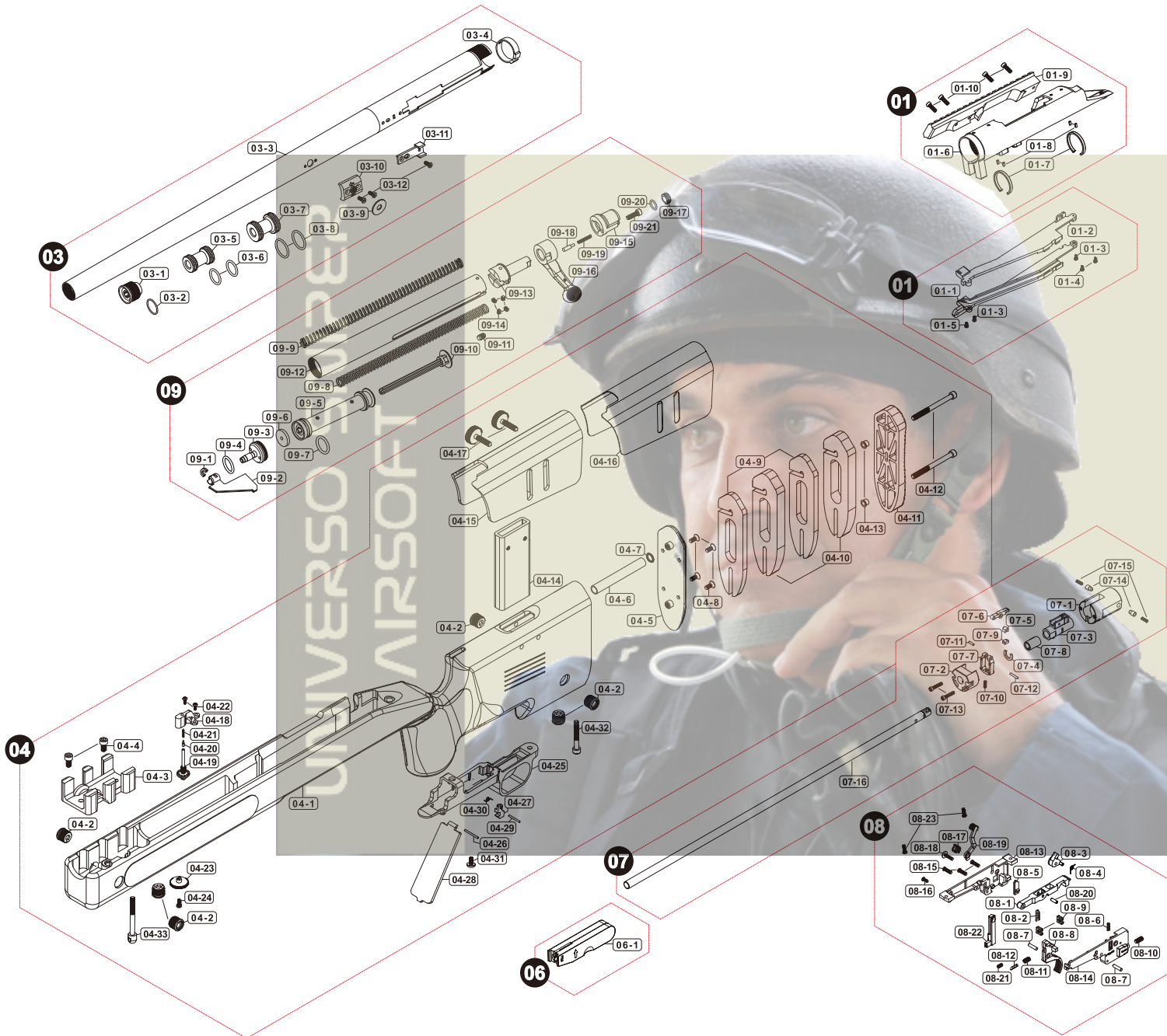
Step A

- Remove the magazine and pull the cocking handle backward.
- Upside down the rifle and push the cocking handle forward.



Caution:

DO NOT lose any parts while dissembling.



01 UPPER RECEIVER

01-1	V0S0HOP0K0
01-2	V0S0HOP0L0
01-3	PSCW020641
01-4	PSCW030821
01-5	PSCW031021
01-6	V0S2BLT010
01-7	V0S2BLT020
01-8	PBOT020401
01-9	V0S1HGD010
01-10	PSCW031004

07 HOP SYTEM

07-1	V0S3HOP010
07-2	V0S3HOP020
07-3	V0S3HOP030
07-4	V0S3HOP040
07-5	V0S3HOP050
07-6	V0S3HOP060
07-7	V0S3HOP070
07-8	V0G0HOP010
07-9	V0G0HOP020
07-10	V0S3SPG001
07-11	PBOT027802
07-12	PBOT021102
07-13	PSCW261501
07-14	V0S3HOP090
07-15	V0S3SPG002
07-16	V000TUB470

03 BARREL / FOREARM

03-1	V0S1BRL030
03-2	PRIG000069
03-3	V0S1BRL020
03-4	V0S3HOP0A0
03-5	V0S2BRL040
03-6	PRIG000074
03-7	V0S2BRL050
03-8	PRIG000015
03-9	PWAS000026
03-10	V0S2BRL030
03-11	V0S3HOP080
03-12	PSCW031022

08 TRIGGER SYSTEM

08-1	V0S0BLT0H0
08-2	V0S0SPG050
08-3	VGC0BLT0E0
08-4	V0S0SPG060
08-5	V0S0BLT0F0
08-6	V0S0SPG070
08-7	PBOT031202
08-8	V0S0THG040
08-9	V0S0THG050
08-10	PSCW041003
08-11	PSCW040803
08-12	V0S0SPG080
08-13	V0S0THG010
08-14	V0S0THG020
08-15	PSCW261031
08-16	PSCW260631
08-17	V0S0SPG090
08-18	PSCW031227
08-19	V0S0MSY010
08-20	PBOT030903
08-21	PSCW030803
08-22	V0S0BLT0G0
08-23	PSCW030821

04 STOCK

04-1	V0S1STK010
04-2	V0S1STK080
04-3	V0S1STK0A0
04-4	PSCW051504
04-5	V0S1STK020
04-6	V0S1STK0B0
04-7	PRIG000037
04-8	PSCW041022
04-9	V0S1STK030
04-10	V0S1STK040
04-11	V0S1STK070
04-12	PSCW056004
04-13	V0S1STK0D0
04-14	V0S1STK090
04-15	V0S1STK060
04-16	V0S0STK0C0
04-17	V0S1STK060
04-18	V0S1HOP010
04-19	V0S1HOP020
04-20	V0S1HOP030
04-21	V0S1SPG001
04-22	PSCW030631
04-23	V0S1HOP040
04-24	PSCW030821
04-25	V0S1LRV010
04-26	PBOT182002
04-27	V0S1LRV020
04-28	V0S1LRV030
04-29	PBOT181602
04-30	V0S1SPG002
04-31	PSCW040829
04-32	PSCW053504
04-33	V0S1BRL010

09 BOLT CARRIER

09-1	V0S0BLT0K0
09-2	V0S0BLT0L0
09-3	V0S2BLT080
09-4	PRIG000062
09-5	V0S0BLT070
09-6	V0S0BLT090
09-7	PRIG000063
09-8	V0S0SPG0T0
09-9	V0S0SPG0S0
09-10	V0S0BLT080
09-11	V0S0BLT0A0
09-12	V0S0BLT0M0
09-13	V0S2BLT090
09-14	V0S0BLT0D0
09-15	V0S2BLT030
09-16	V0S2BLT040
09-17	V0S2BLT050
09-18	V0S0BLT040
09-19	V0S0SPG040
09-20	PRIG000040
09-21	PSCW041204

06 MAGAZINE

06-1	V0S2MAG000
------	------------

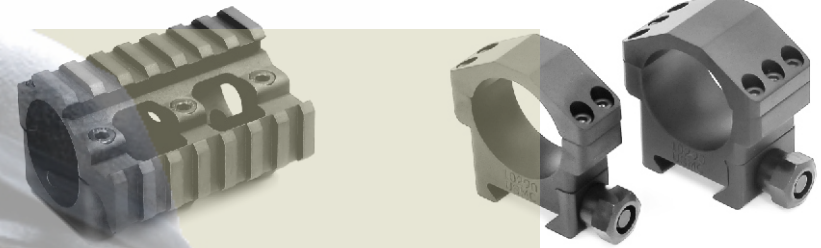
Replacement Parts

SNIPER RIFLE, 6mm, M40A3

7-1 ~ 7-15	VF9-HOP-M40-ZN01 HOP UP unit	4-9 ~ 4-10	VF9-STK-M40-PL01 Adjustment Stock Plate
7-16	VF9-BRL-IN470-01 Inner barrel	4-16	VF9-STK-M40-PL02 Cheek rest sticker
3-5 ~ 3-8	VF9-BRL-M40-PL01 Barrel Spacers(front & Rear)	4-17	VF9-STK-M40-ST01 Cheek rest adjustable screw
3-9 ~ 3-12	VF9-HOP-M40-ZN02 HOP UP base	4-18 ~ 4-24	VF9-HOP-M40-PL03 HOP UP adjust set
9-1 ~ 9-2	VF9-HOP-M40-PL01 LoadingPlate V2	4-25 ~ 4-32	VF9-TGD-M40-BK01 Trigger guard set
1-1 ~ 1-5	VF9-HOP-M40-PL02 Loading Slider V2	4-33	VF9-LRV-M40-ST01 M40A3 Bipod adapter
9-15 ~ 9-21	VF9-BLT-M40-ZN01 Cocking handle	6-1	VF9-MAG-M40-BK01 M40A3 magazine

VF9-MWS-M40-AL01
M40A3 Accessory Rail

VF9-MWS-M40-AL02
Tactical Scope Ring (30mm-1 inch)



Upgrades

VF9-CLY-VSR-ST01
Stainless Cylinder for VSR



VF9-NOZ-VSR-ST01
Stainless Cylinder Head for VSR



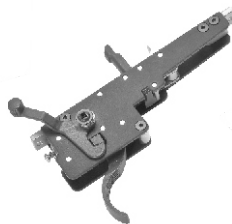
VF9-PIS-VSR-AL01
Reinforced Piston for VSR



VF9-PSG-VSR-ST01
Stainless Ball Bearing Guide
for VSR



VF9-THG-VSR-ST01
Zero Trigger for VSR



VF9-SPG-VSR-M140
VSR M140 Spring (Green)



VF9-SPG-VSR-M150
VSR M150 Spring (Yellow)

VF9-SPG-VSR-M170
VSR M170 Spring (Red)

After Service

Warranty Policy

■ Limitations

- This limitation warranty is restricted in Vega Force Company(VFC) products.

■ Limited Warranty Terms

- Period: one month, since the purchasing of VFC products.
- It is limited to VFC products' functional ability, exterior condition and motor is not covered.
- The warranty will be extended for an extra month after repairing.
- THIS WARRANTY DOES NOT COVER: malfunction, defect, failure, or damage caused by or resulting from...
 - Impact, mishandling, tampering, or use contrary to the applicable instruction manual;
 - Arising from ordinary wear and tear, wind, fires, storm, earthquake, inadequate or improper lighting, adverse weather conditions or other acts of God or nature;
 - Operators abuse or neglect, misuse, accident or mishap.
 - Not using VFC recommends power voltage battery.
 - Repairing or alterations performed by non VFC certificated personnel.