



VegaForce[®]Company

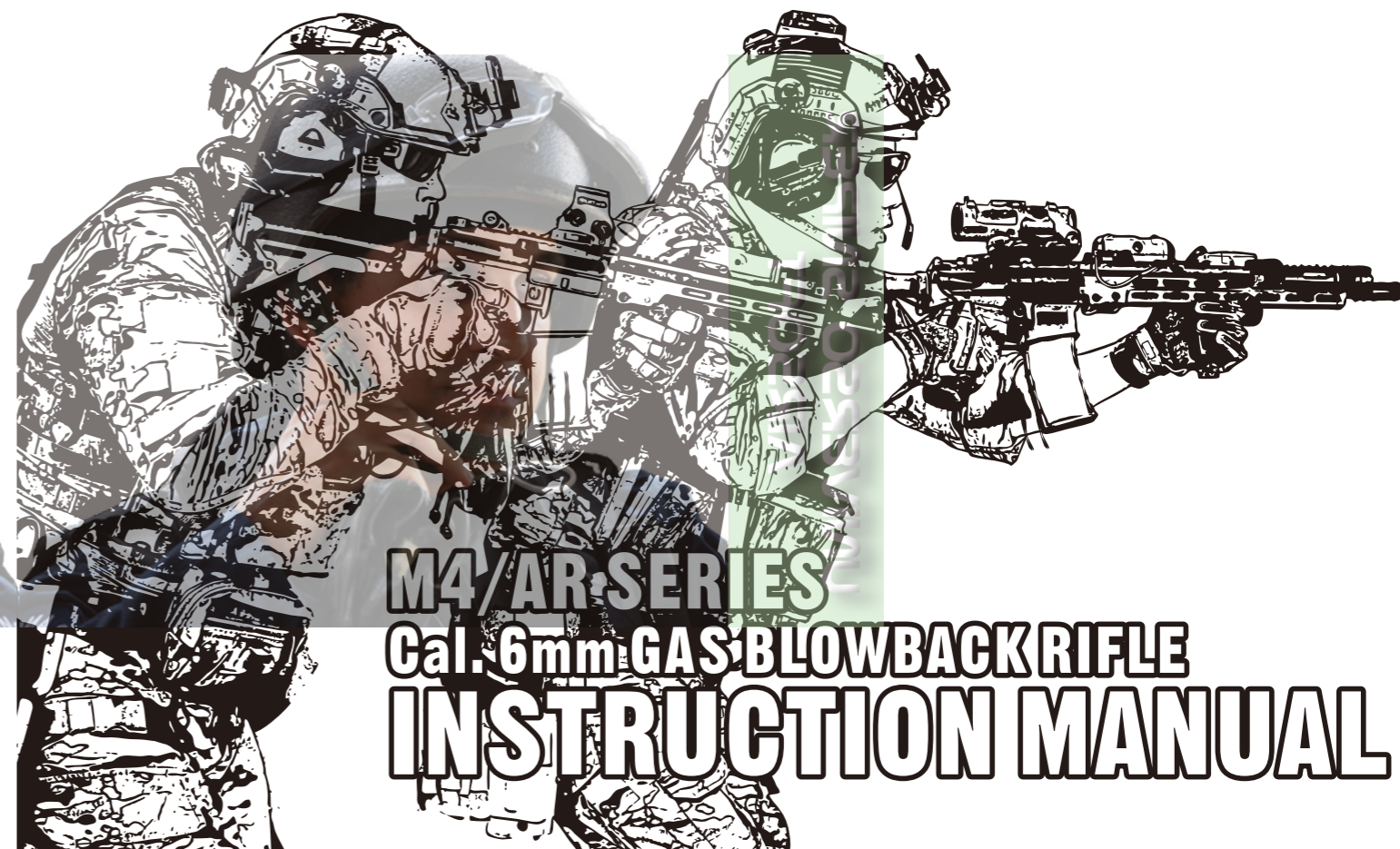
<https://www.vegaforce.com/>

8F., No. 609, Sec. 1, Wanshou Rd.,
Guishan Dist., Taoyuan City 333, Taiwan

Phone:+886-2-8200-6630

Fax:+886-2-8200-6631

E-Mail:service@vegaforce.com.tw



M4/AR SERIES Cal. 6mm GAS BLOWBACK RIFLE INSTRUCTION MANUAL

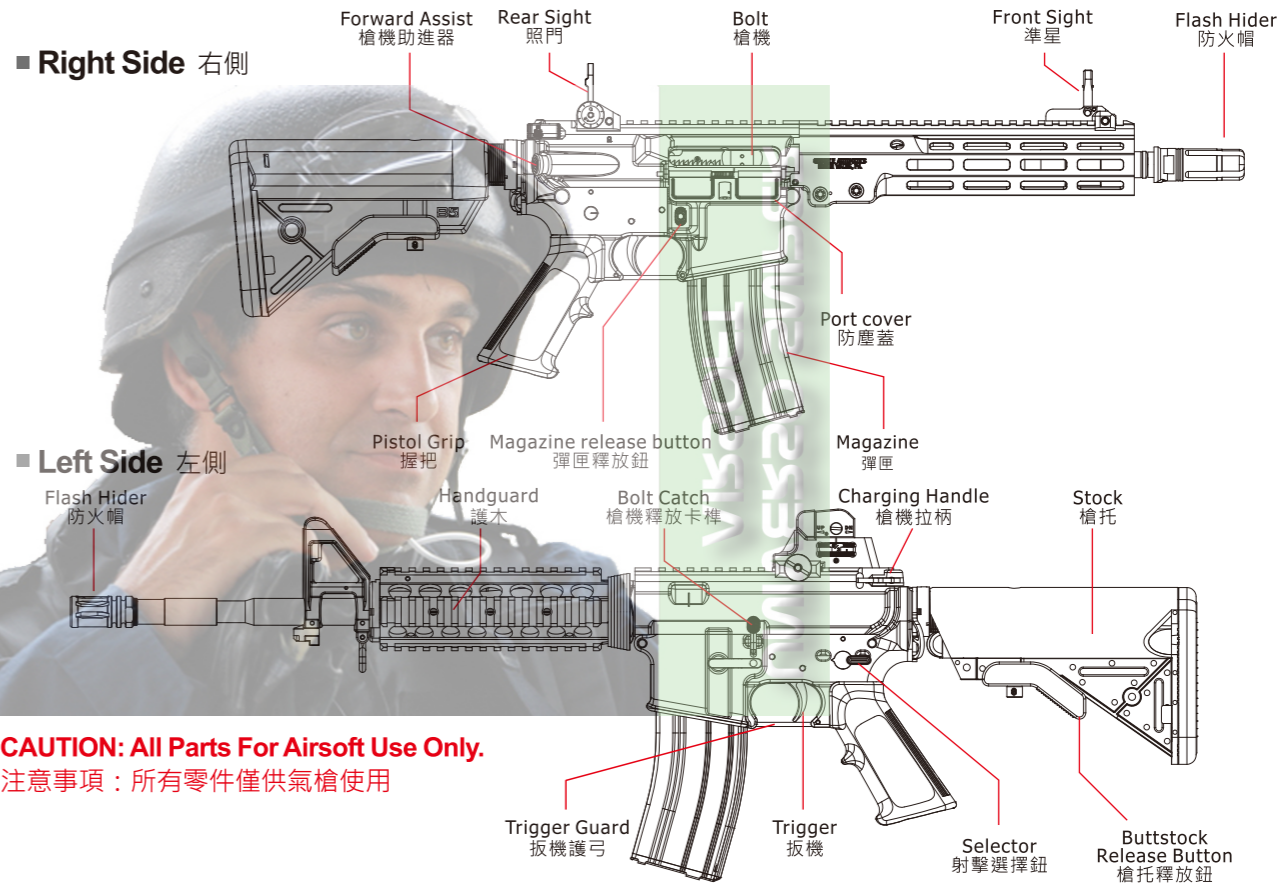
CAUTION / WARNING 注意事項/警告

- ⚠ Always wear eye protective gear.
始終配戴護目鏡
- ⚠ You may be punished if you are shooting for practical jokes.
若隨意用玩具槍開玩笑可能會觸及法律
- ⚠ Never shoot the gun at places where people and cars pass cross.
切勿在有人及汽車經過的地方開槍
- ⚠ Never aim or shoot a person or animal as a target.
切勿將人或動物做為目標射擊
- ⚠ Never look into the gun muzzle.
切勿直視槍口
- ⚠ Always direct the muzzle towards a safe direction.
始終將槍口朝向安全位置
- ⚠ Avoid pulling the trigger carelessly.
避免不小心拉動扳機
- ⚠ Please put away from your fingers from the trigger, except when you are ready to shoot a target.
除準備射擊目標外，請不要將手指放在扳機上
- ⚠ Always put the gun in a case or bag when you are carrying it.
攜帶槍枝時請將其放在箱子或袋子中
- ⚠ Keep out of reach of children.
請將本品放在兒童無法觸及的地方

POLICY 聲明

- According to the law,
The VegaForceCompany's products
FOR TOY AND COLLECTION ONLY.
根據法律規定，VFC之產品，僅用於玩具及收藏
- **DO NOT ILLEGAL
MODIFICATION THE AIRSOFT GUN.**
We also condemn any illegal activities.
請勿非法改裝玩具槍，我們也譴責任何非法活動

Component Name 各部名稱



⚠ **CAUTION: All Parts For Airsoft Use Only.**
注意事項：所有零件僅供氣槍使用

⚠ WARNING: Always Point The Muzzle In A Safe Direction.
警告：始終將槍口朝向安全位置

Selector & Safety Setting 射擊選擇鈕

■ Safety Setting 保險位置

The trigger can not be pulled.
扳機無法拉動

⚠ CAUTION 注意事項

If The Rifle Is Not Cocked, The Selector Lever Can Not Be Pointed Toward The Safety Setting.
如果擊錘沒有在待發位置，則射擊選擇鈕無法轉至保險位置

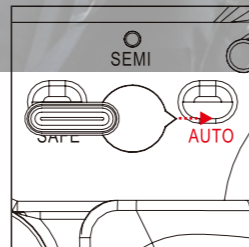
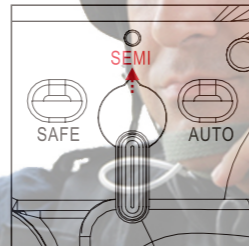
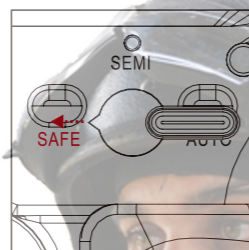
■ Semi Auto 半自動

Pulled the trigger, the gun will fire one shot each time.
拉動一次扳機，則發射一發子彈

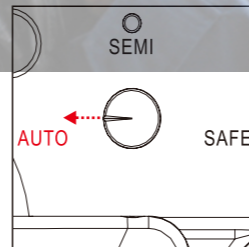
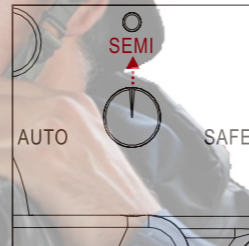
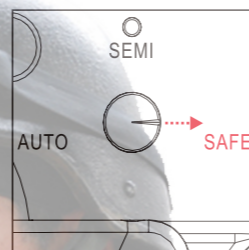
■ Full Auto 全自動

The gun will fire automatically while the trigger remains pulled.
扣著扳機不放將連續發射子彈

■ Left Side 左側



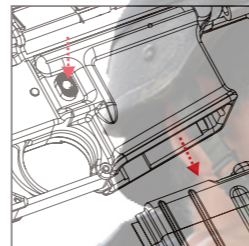
■ Right Side 右側



Check Before You Fire 射擊前檢查

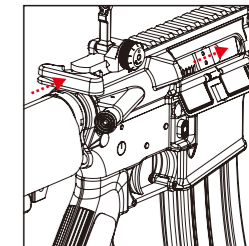
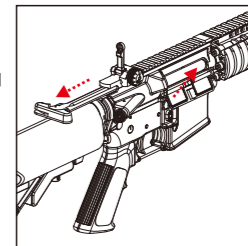
1 Remove the Magazine 卸下彈匣

Press Magazine catch button and move the magazine.
按下彈匣釋放鈕卸下彈匣



2 Cocking the Bolt 槍機操作

Lock Bolt open, pull Charging handle rearward to check that there is no BBs in the chamber. Return Charging handle to forward. If there is, please remove the BBs from the chamber. Check the Bolt and Charging handle to ensure free movement in the receiver.
將槍機拉柄固定在後，檢查槍膛內是否有殘餘BB彈，如果有請將BB彈取出，並將槍機拉柄復位。檢查槍機與槍機拉柄作動是否正常

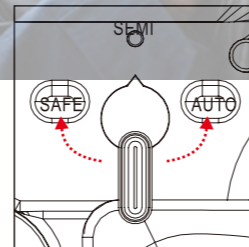


⚠ CAUTION: Do Not Put Your Finger Into The Chamber, It's Dangerous.

注意：請勿將手指伸入槍膛內，造成危險

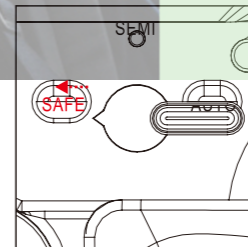
3 Check the Selector Lever 檢查射擊選擇鈕

Perform safety function check to ensure that safety selector lever works properly.
檢查並確認射擊選擇鈕是否正常作動



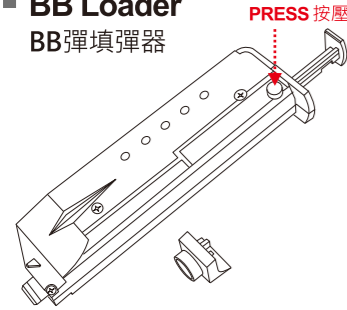
4 Safety Setting 保險設置

Place safety selector lever on safe.
NOTE: Point rifle in a safety direction!
將射擊選擇鈕轉至保險位置



Load the BBs 裝填BB彈

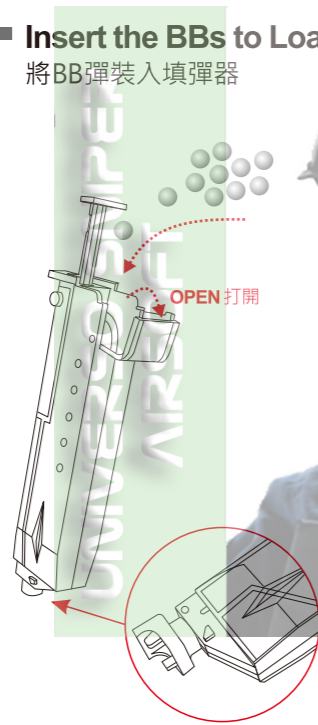
BB Loader BB彈填彈器



! Always use the quality BBs for this airsoft gun. we will not be held responsible for any damage and accidents arising from using of bad quality BBs.
請使用原廠或品質良好的BB彈。若因使用劣質的BB彈造成玩具槍毀損，本公司不負相關保固之責任。

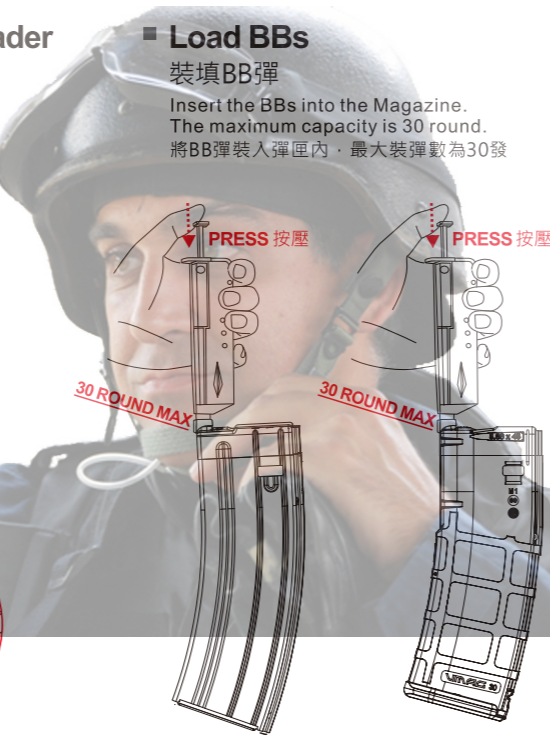
- Diameter Larger Than 6mm**
直徑大於6mm
- No True Round BBs**
並非真圓
- Both Halves Not Aligned**
有模線痕跡
- With Flash**
有裂紋或破損
- Used Or Soiled**
已使用過或表面髒污

Insert the BBs to Loader 將BB彈裝入填彈器



Load BBs 裝填BB彈

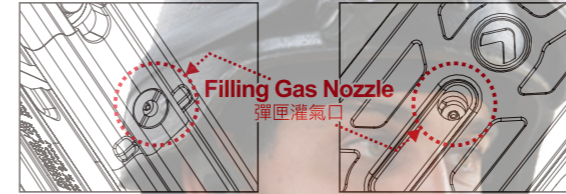
Insert the BBs into the Magazine.
The maximum capacity is 30 round.
將BB彈裝入彈匣內，最大裝彈數為30發



! **CAUTION: Do Not Force To Over Load.**
注意：請勿裝填過量BB彈

Filling the GAS 填充瓦斯

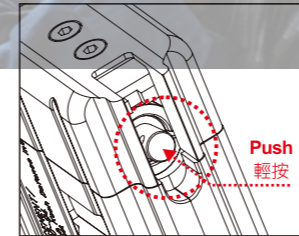
Push the gas canister nozzle into the Filling gas nozzle.
Make sure the canister is in vertical position when charging.
將瓦斯罐接嘴對準並接上彈匣灌氣口，用力壓下開始填充，並確保彈匣灌氣口與瓦斯罐接嘴的垂直。



! For the better performance of the GBB rifle.
Do not shoot the rifle right after charging the gas.
為了獲得最佳的效能，填充瓦斯完畢請勿立即開槍射擊

Release the GAS 釋放瓦斯

Please discharge the magazine by press the valve gently, for releasing residual gas.
請按下氣閥釋放鈕，釋放彈匣內殘餘的瓦斯

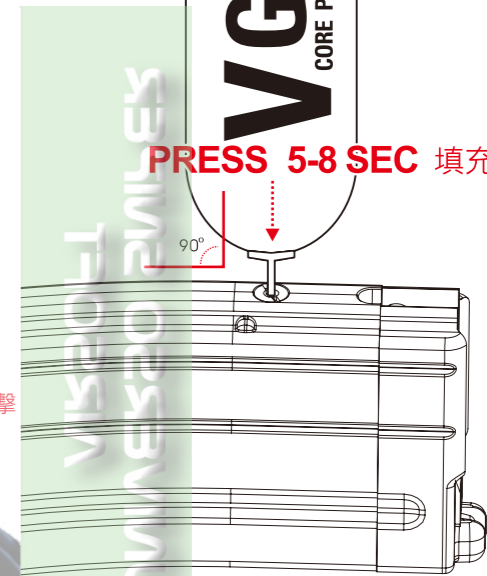


You may experience a delay action if the surrounding temperature drops below 20° C/68° F. Remember, do not expose magazine directly under the sun or incinerate the magazine, it may cause bursting. It is strongly recommended to empty gas from magazine after shooting. Be sure to avoid direct gas contact with Eyes or Skin when gas is being released, it will cause frostbite.
若在環境溫度20°C/68°F以下可能瓦斯作用可能會較緩慢，避免將彈匣於陽光底下直射曝曬以及遠離火源，否則可能導致爆炸。強烈建議射擊後將瓦斯從彈匣中釋放，釋放瓦斯時避免直接接觸到眼睛及皮膚以防凍傷。

V GAS
CORE POWER GREEN GAS



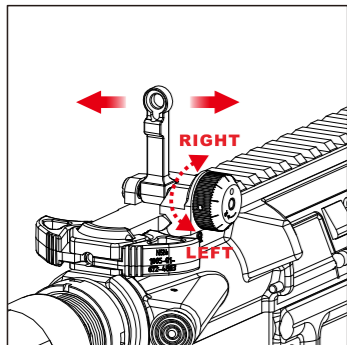
PRESS 5-8 SEC 填充5-8秒



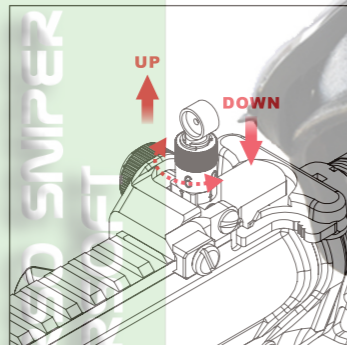
1. Check canister for any cracks or leaks before using.
使用前，請檢查瓦斯罐是否有裂紋或洩漏。
2. Do not expose canister over 40° C/ 104° F.
請勿將瓦斯罐曝曬於40°C/104°F以上之空間。
3. Do not leave canister directly over fire.
瓦斯罐請遠離火源。
4. Do not boil canister.
請勿加熱瓦斯罐。
5. Keep canister away from direct sunlight.
瓦斯罐請避免陽光直射並存放於室內陰涼處。
6. Do not leave canisters inside the vehicle.
請勿將瓦斯罐留在車內。

Adjustment Sights 準星照門調整

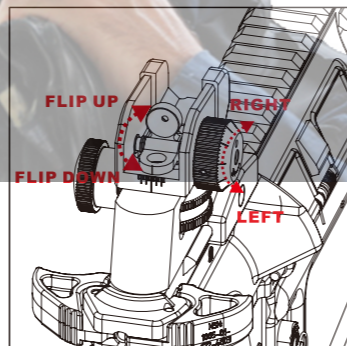
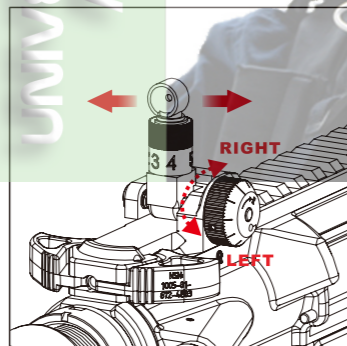
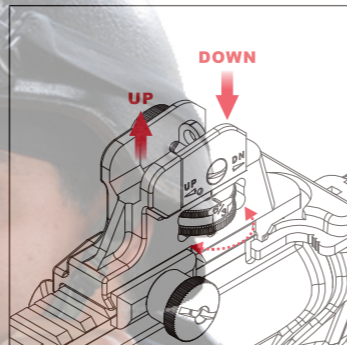
■ **KAC 300M REAR SIGHT**
 KAC 300M 照門



■ **KAC 600M REAR SIGHT**
 KAC 600M 照門

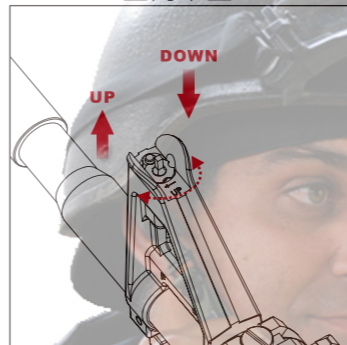


■ **LMT REAR SIGHT**
 LMT 照門

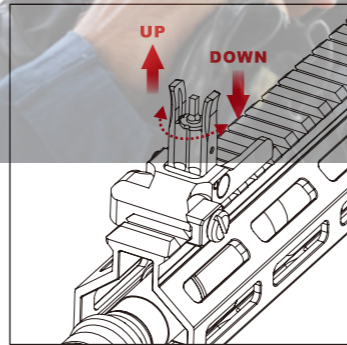


Adjustment Sights 準星照門調整

■ **M4 RIS FRONT SIGHT**
 M4 RIS 三角準星

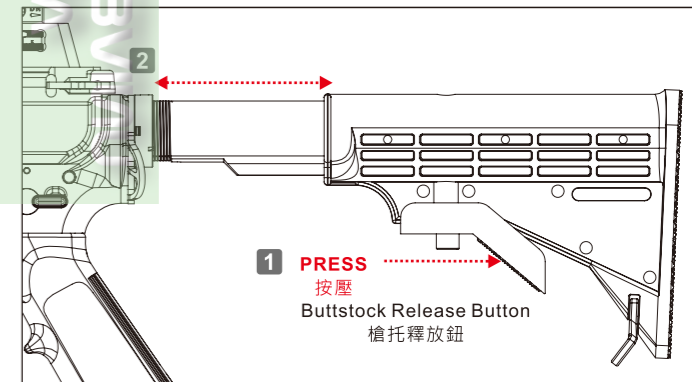
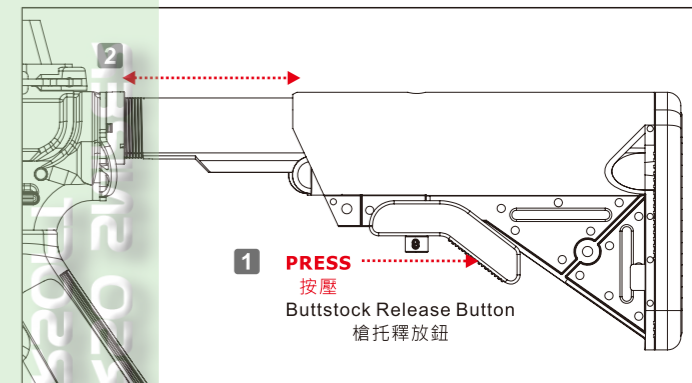


■ **KAC FRONT FLIP UP SIGHT**
 KAC 摺疊準星



Adjustment Telescoping Buttstock

伸縮式槍托調整

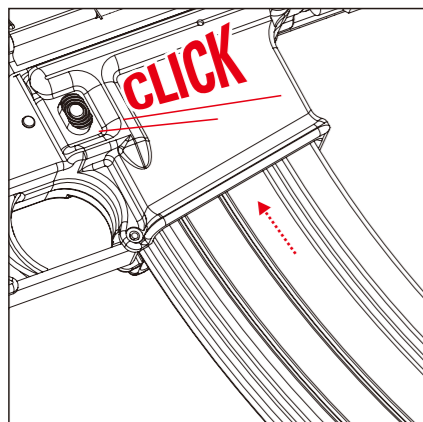


Setting Magazine and Firing 裝彈匣和射擊

1 Insert the Magazine 裝彈匣

Push magazine up in to magazine well.
Make sure to set the magazine upwards
and connect it firmly until a **CLICK SOUND**
is heard.

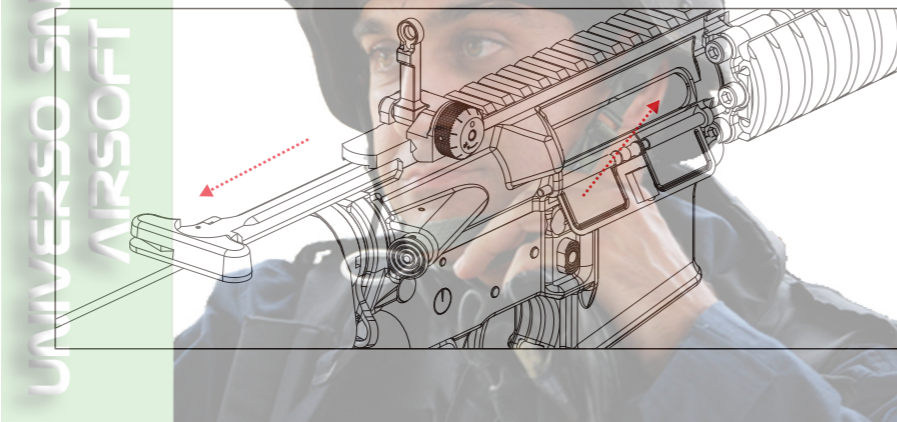
將彈匣向上推入彈匣井內，確保彈匣插入方向正確。
向上插入直到聽到**喀噠聲**為止。



2 Check the Chamber 檢查槍膛

Open bolt and check firing chamber.
Make sure it is clear.

槍機後定，確認槍膛內暢通無異物。



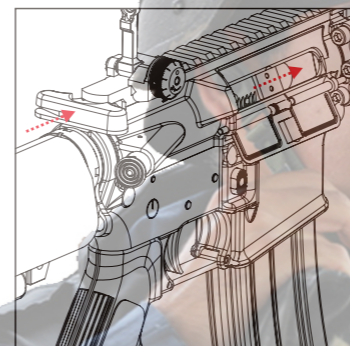
Setting Magazine and Firing 裝彈匣和射擊

3 Return the Charging Handle 4 Firing Mode Select

槍機拉柄復位

forward the charging handle to
locked position.

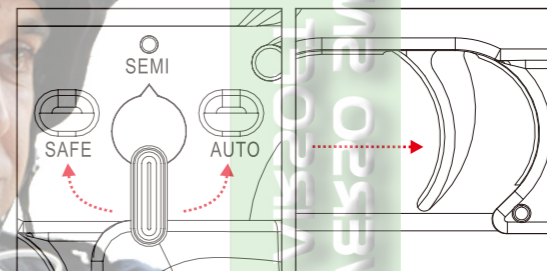
推動槍機拉柄復位。



射擊模式選擇

Place safety selector lever on Semi Auto or Full Auto.
Pull the Trigger to fire.

將射擊選擇鈕轉至射擊位置並扣動扳機射擊。

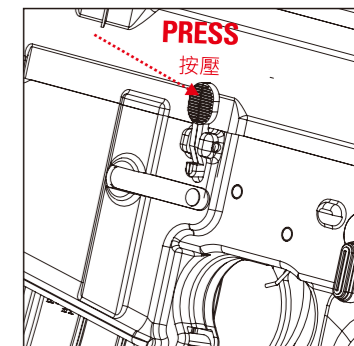


5 Release Bolt

槍機釋放

Press the Button release
Bolt to Chamber.

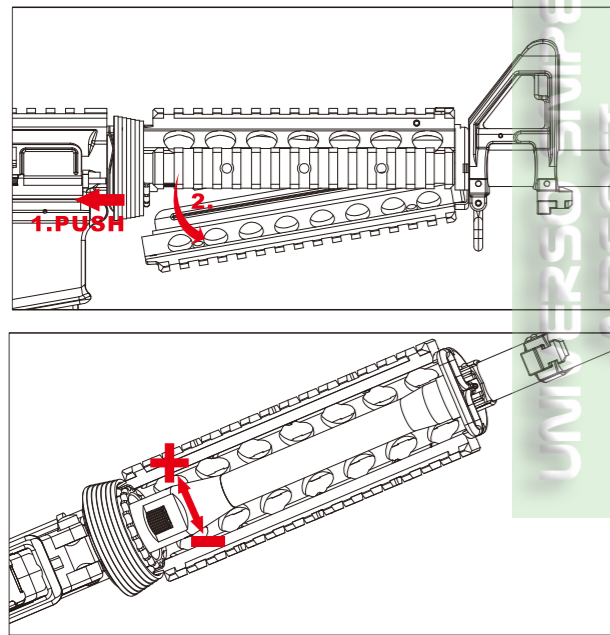
按壓槍機釋放鈕釋放槍機，使槍機復位。



Variable HOP-UP System HOP-UP調整系統

1 M4 RIS HOP-UP Adjustment

M4 RIS HOP-UP系統調整



2

GuideHOP

Save time, Convenient and Fast

M4/AR Series GBBR uses our new patented "GuideHOP" HOP-UP adjust system.

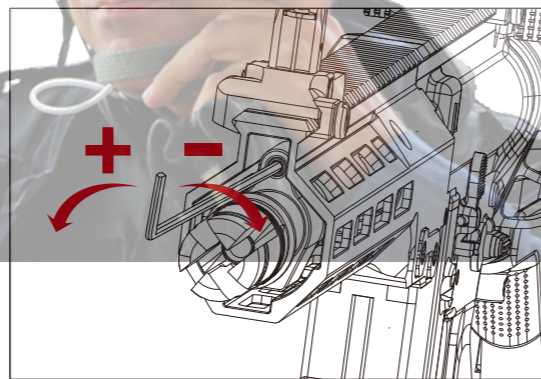
There is no need to disassemble the handguard or upper and lower receiver when you need adjust your HOP-UP.

All you only need a 3mm hex wrench to adjust HOP-UP at gas block.

You can adjust HOP-UP in anytime, anywhere, quickly and easily, without any disassembly.

省時、方便、快速

M4/AR 系列瓦斯槍採用VFC最新專利的"GuideHOP" 彈道調整設計。無需分解槍支，只需要使用3mm六角扳手即可在瓦斯鋼管座處進行彈道調整。您可以隨時隨地、快速方便的調整，無需任何拆解，大大減少因拆解所造成的不便與毀損。



This HOP-UP system is adjusted by 3mm hex wrench.
請使用3mm六角扳手調整HOP-UP。

Variable HOP-UP System HOP-UP調整系統

3 Adjust HOP Effect 調整HOP效果

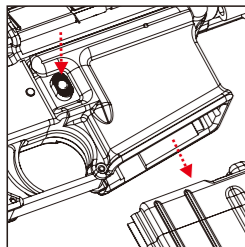


! Never hold the gun sideways as BB bullets will curve right or left. this is due to the HOP UP system.
The Best setting is, where bullets fly horizontally.
請勿翻轉或傾斜射擊你的槍，這會造成射出的彈道偏左或偏右，對於HOP UP系統設計，水平持握射擊是最好的射擊方式。

Field Stripping 大部分分解

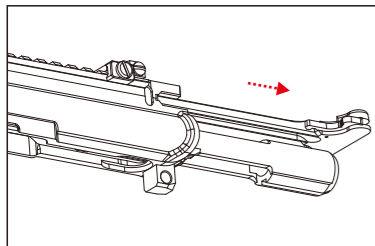
1 Remove the Magazine 卸除彈匣

Press Magazine catch button and move the magazine.
按下彈匣釋放鈕將彈匣卸下。



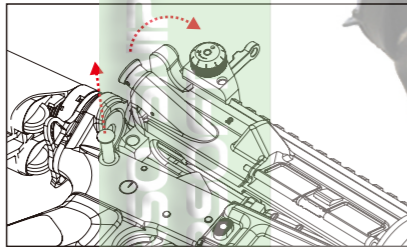
4 Remove the Bolt 卸除槍機組件

Pull back the charging handle
Remove the bolt carrier and bolt.
向後拉出槍機拉柄，並取出槍機。



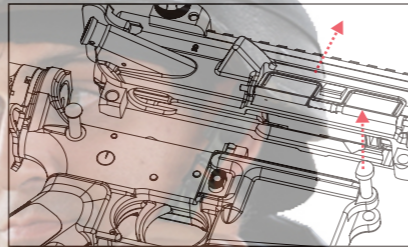
2 Pull Up the Take Down Pin 拉出上下槍身結合插梢

Pull up Take down pin as far as it will go.
Pivot Upper receiver from lower receiver.
拉出槍身後結合插梢，將上槍身從下槍身打開。



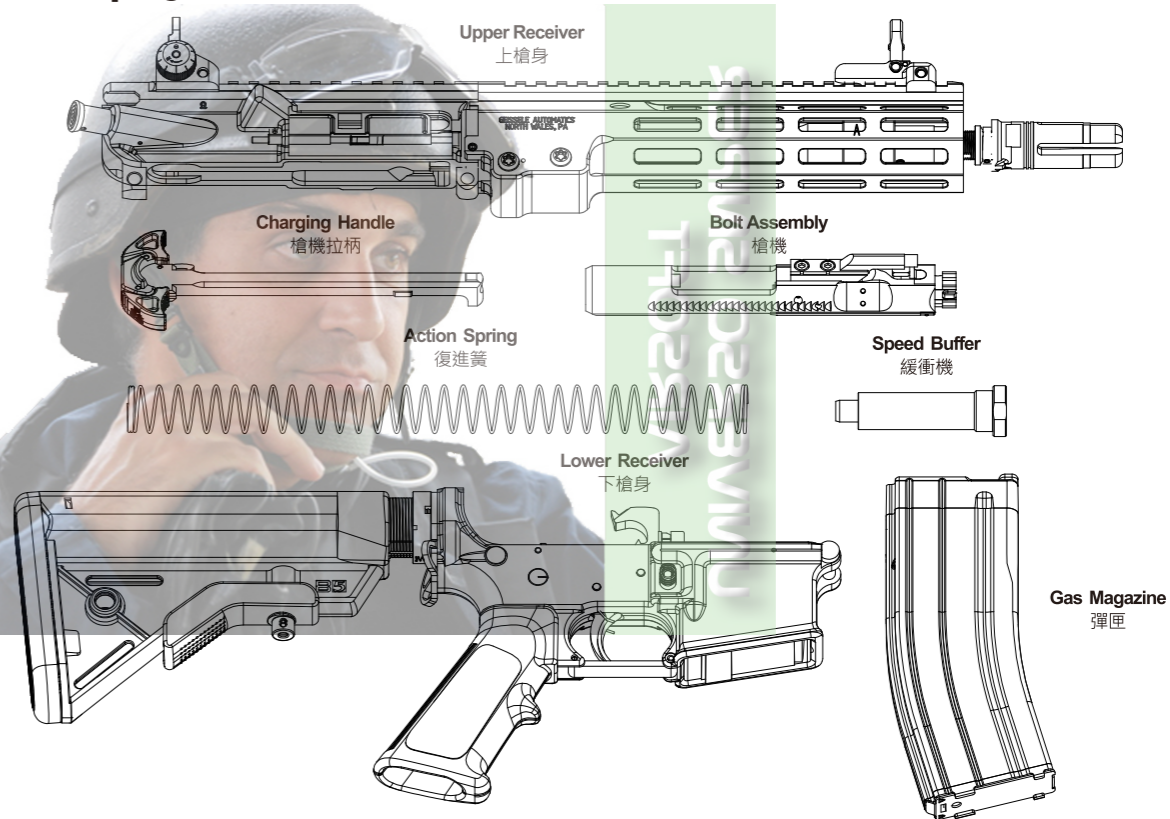
3 Pull Up the Pivot Pin 拉出上下槍身結合插梢

Pull up pivot pin. Separate Upper and lower receiver.
拉出槍身前結合插梢，完整分開上下槍身。



⚠ WARNING: Always Point The Muzzle In A Safe Direction.
警告：始終將槍口指向安全方向。

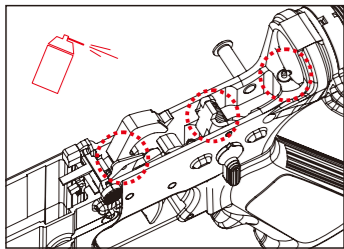
Field Stripping 大部分分解 (e.g. VR16 CQB)



Cleaning and Maintenance 清潔與保養

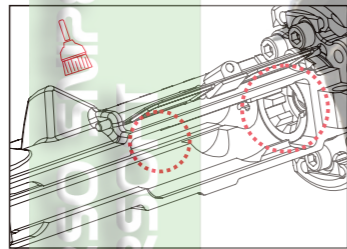
1 Lower Receiver 下槍身

Lightly lubricate all moving parts inside the lower receiver.
 些微潤滑下槍身內的可動部件。



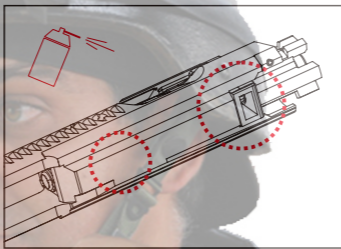
2 Upper Receiver 上槍身

Clean all areas and out of fouling, Metal debris and dirt.
 清潔所有區域並清除污垢與金屬碎屑。



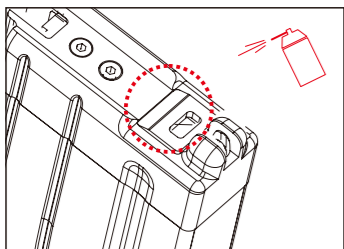
3 Bolt 槍機

Use silicone oil lightly lubricate all contact area.
 使用矽油將所有可接觸區域做些微潤滑。



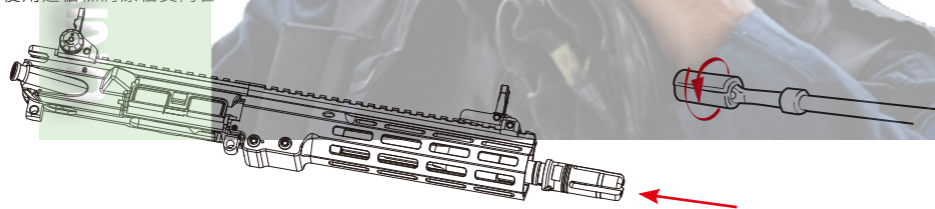
4 Magazine 彈匣

Clean all areas and out of fouling, Metal debris and dirt.
 清潔所有區域並清除污垢與金屬碎屑。



5 Inner Barrel 槍支內管

Use patch holder to clean the inner barrel.
 使用通槍條清潔槍支內管。



! **Use silicone oil the lubrication only. Do not use WD-40 as lubrication.**
 僅使用矽油潤滑。
 請勿使用WD-40進行潤滑。

Trouble Clinic 故障排除

| Symptom 癥狀 | Cause 原因 | Action 解決方式 |
|---------------------------------------|---|--|
| No operation at all. 操作沒有反應 | <ol style="list-style-type: none"> No Gas in Magazine. 彈匣內沒有瓦斯。 Selector lever on safe. 射擊選擇鈕在保險位置。 Not loaded. 未上膛。 The Magazine is in low temperature. 彈匣溫度過低。 The pressure inside the Magazine is too high. 彈匣內壓力過高。 | <ol style="list-style-type: none"> Unload the Magazine and filling the Gas. 卸下彈匣並填充瓦斯。 Turn the selector lever on semi/full auto sites. 將射擊選擇鈕轉至半自動/全自動射擊模式。 Pull the Charging handle, loading the rifle. 拉動槍機拉柄，使步槍上膛。 After running fire, the Magazine will be in low temperature. Please, unload the Magazine until the Magazine temperature rise to normal. 射擊後，彈匣將處於低溫狀態。請卸下彈匣，靜待彈匣恢復常溫。 Do not use Gas which pressure is surpassed 12 Kg/cm . 請勿使用壓力高於12 Kg/cm 的瓦斯。 |
| Magazine leak. 彈匣漏氣 | <ol style="list-style-type: none"> O ring aged. O環老化。 O ring broken. O環斷裂。 Charging valve broken. 彈匣進氣口損壞。 | <ol style="list-style-type: none"> 2.3. Purchase the replacement part at your dealer or from VFC. 向經銷商或VFC購買替換零件。 |
| The recoil force decreases. 後座力變小 | <ol style="list-style-type: none"> The Magazine is in low temperature. 彈匣溫度過低。 The gas pressure is insufficient. 瓦斯氣體壓力不足。 Lubrication insufficiency. 潤滑不足。 Bolt O ring broken. 槍機O環破損。 | <ol style="list-style-type: none"> After running fire, the Magazine will be in low temperature. Please, unload the Magazine until the Magazine temperature rise to normal. 射擊後，彈匣將處於低溫狀態。請卸下彈匣，靜待彈匣恢復常溫。 Unload the Magazine and refill the gas. 卸下彈匣並重新填充瓦斯。 The moving part needs lubrication. 可動部件需要潤滑保養。 Purchase the replacement part at your dealer or from VFC. 向經銷商或VFC購買替換零件。 |
| The trajectory is not steady 彈道不穩定 | <ol style="list-style-type: none"> Too much hop setting. HOP旋鈕調整過度。 Inner Barrel or Hop parking contaminated by oil or dirt. 槍支內管或HOP橡皮內有灰塵或油污。 Worn or damaged hop parking. HOP橡皮磨損或毀壞。 Improper or too large size BB bullets. 使用不合適或太大的BB彈。 | <ol style="list-style-type: none"> Gradually return adjustment lever towards normal. 漸趨調節使彈道平穩正常。 Clean the oil or dirt. 清潔灰塵或油污。 Purchase the replacement part at your dealer or from VFC. 向經銷商或VFC購買替換零件。 Use the quality BBs. 使用優質BB彈。 |

! If you have any other states, please contact with your dealer or write the E-MAIL for us service@vegaforce.com.tw
 如果您有其它問題，請向您購買的經銷商聯繫或寄電子郵件至我們公司信箱service@vegaforce.com.tw



**1KG
PACK**

SUPREME PRECISION GRADE BBs

For Your Gas Rifle And Pistol **100% Made In Taiwan**

Diameter
5.95mm
± 0.01mm

Plastic Series



CERTIFICATIONS:
Biodegradable Test Report ISO 14855-1 in connection with DIN EN 13432
Certified EN71 part 3:2013
Compliant with ASTM D-6400-99 "Standard Specifications for Compostable Plastics"



BIO Series

V GAS

CORE POWER
**PURITY
QUALITY
POWERFUL**



High Quality Green Gas
For Your Gas Rifle And Pistol
100% Made in Taiwan

VIS2021
VISC2021

