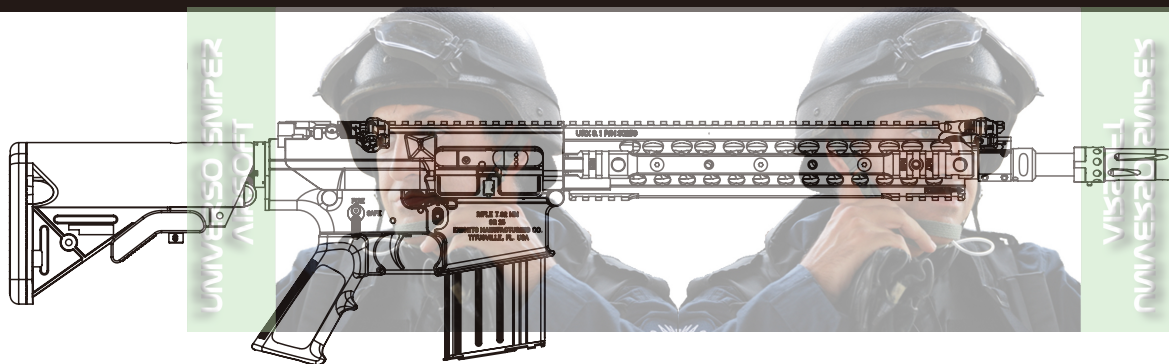




VF2-LM110K1-BK01

STONER SR-25 ENHANCED COMBAT CARBINE SEMI-AUTOMATIC SNIPER SYSTEM (SASS)



This Manual is Intended for Airsoft Operator Use Only

OPERATORS MANUAL



VegaForce® Company
[http:// www.vegaforce.com](http://www.vegaforce.com)

MANUFACTURED BY  FOR 
MANUFACTURED UNDER LICENSE FROM KNIGHT'S ARMAMENT Co.

Caution / Warning

- Always wear eye protective gear.
- You may be punished if you are shooting for practical jokes.
- Never shoot the gun at places where people and cars pass cross.
- Never aim or shoot a person or animal as a target.
- Never look into the gun muzzle.
- Always direct the muzzle towards a safe direction.
- Avoid pulling the trigger carelessly.
- Please put away from your fingers from the trigger, except when you are ready to shoot a target.
- Always put the gun in a case or bag when you are carrying it.
- Keep out of reach of children.

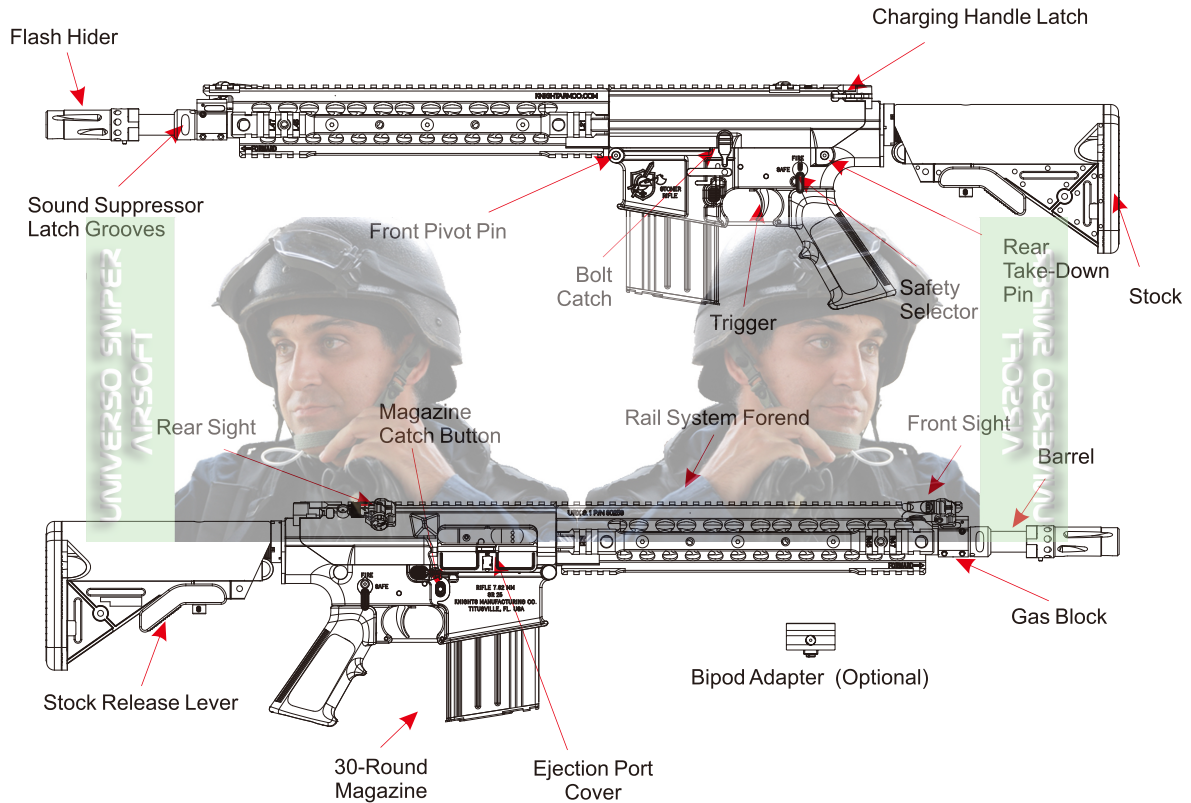
Specification

- Over all: 900 / 980 mm
- Inner Barrel: 485 mm
- Weight: 3090 g / 3486g (with Magazine)
- Bullet: 6 mm
- Capacity: 30 Rds
- Muzzle Speed: 130 m/sec with 0.2g BB \pm 5

Table of Contents

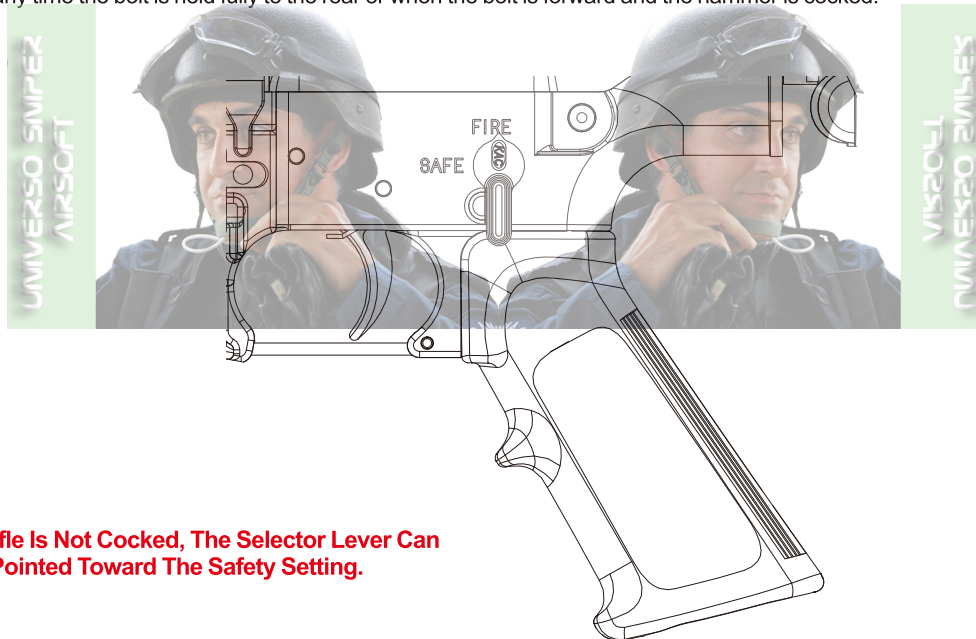
Paragraph Number	Title	Page Number
Chapter 1 - Introduction		
1-0	Caution and Warning	01
1-1	Component Name	02
1-2	Selector and Safety Setting	03
1-3	Flip-Up Sights	04
1-4	Optional Parts Install	05
1-5	Buttstock	06
1-6	Magazine	06
Chapter 2 - Operating Instructions		
2-1	Checking Before You Fire	07
2-2	Load the BBs	09
2-3	Filling the GAS	10
2-4	Setting Magazine	11
2-5	Ready to Fire	11
2-6	Release Bolt	12
2-7	Variable HOP-UP System	12
2-8	Adjust HOP Effect	12
Chapter 3 - Maintenance		
3-1	Field Stripping	13
3-2	Cleaning and Maintenance	16
3-3	Trouble Clinic	17

1-1 Component Name



1-2 Selector and Safety Setting

- a. The safety is located on the left rear side of the lower receiver. The safety has two position: SAFE and FIRE are both clearly marked on the lower receiver. When the safety is rotated to SAFE position, the rifle (hammer) is fully cocked, but the firing sear is blocked from movement providing protection from accidental discharge under normal usage when the safety is properly engaged and serviceable.
- b. To rotate the safety to the SAFE position, pull the charging handle fully to the rear visually checking that the chamber is clear by observing through the ejection port as the bolt is retracted by the charging handle. The safety may be rotated to the SAFE position any time the bolt is held fully to the rear or when the bolt is forward and the hammer is cocked.



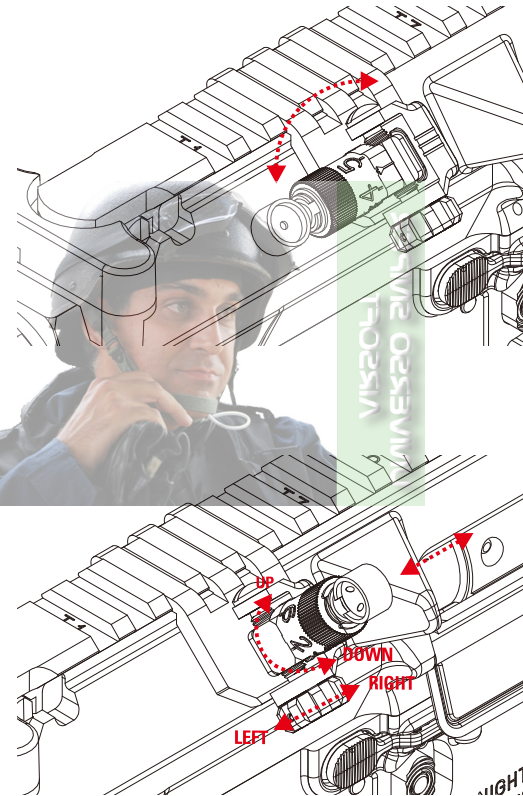
NOTE:
If The Rifle Is Not Cocked, The Selector Lever Can Not Be Pointed Toward The Safety Setting.

1-3 Flip-Up Sights

A. Flip-Up Front Sight



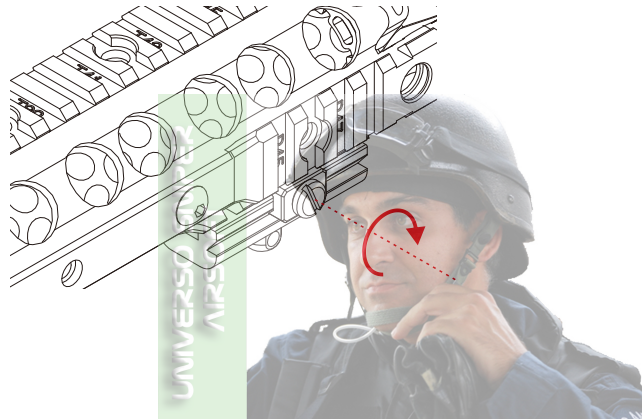
B. Flip-Up Rear 600m Sight



1-4 Optional Parts Install

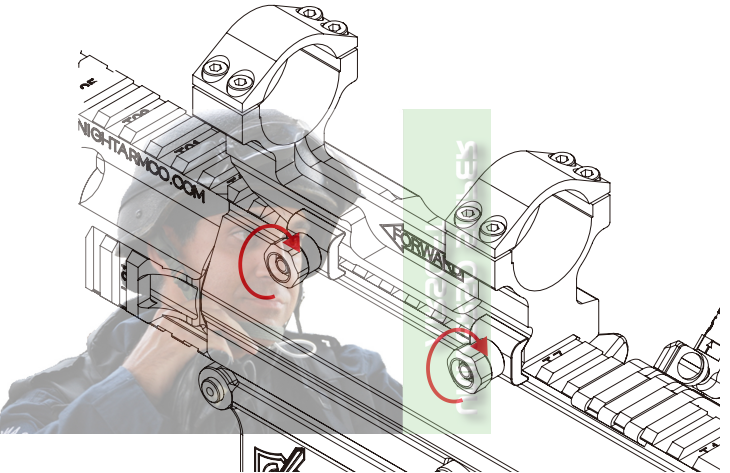
Install Bipod Adapter

Clamp bipod adapter onto rail handguard and tighten screw to lock.

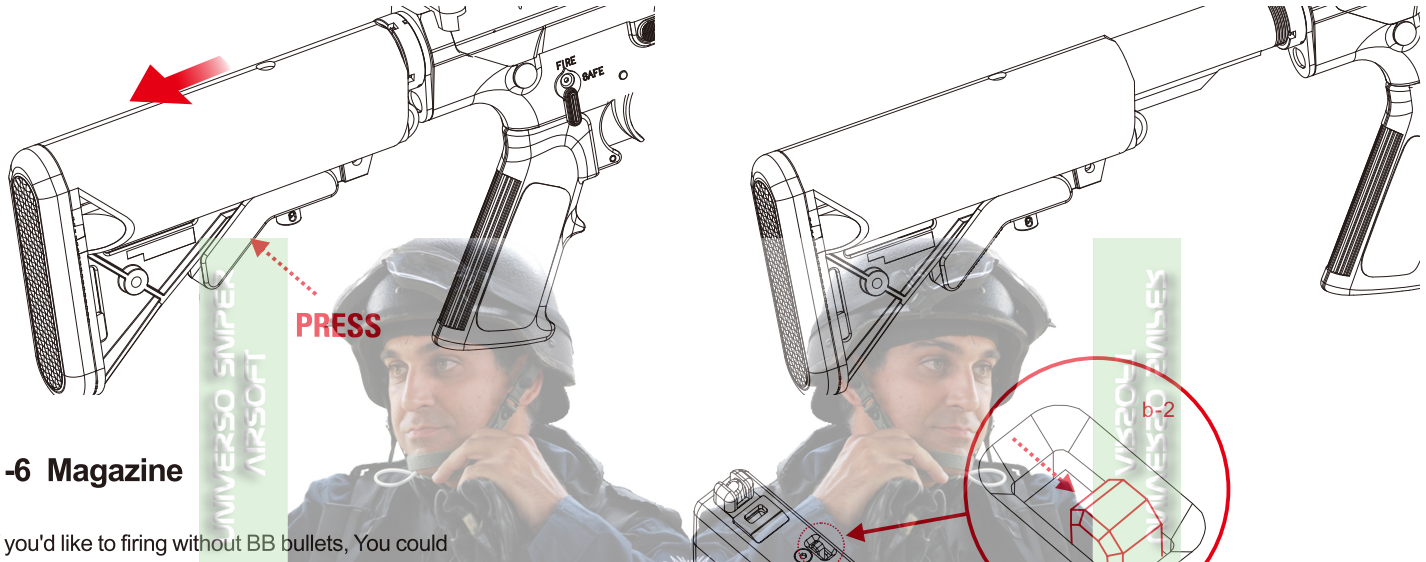


Scope Mount Settings

Screws that mount the rail to the upper receiver rail, and attach the mount to the rail on the action.



1-5 Stock

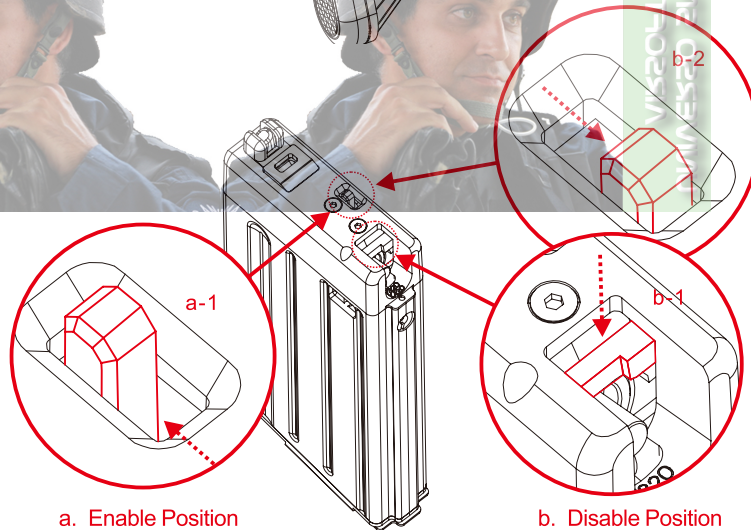


1-6 Magazine

If you'd like to firing without BB bullets, You could pull the Blank Firing Switch to the rear side for disable bolt lock-back function.
(Ref. 2-6, page 11)

NOTE:

Please push down the connecting plate(the plate shape part on magazine's rear topside) before pulling switch back, Force on the switch may cause parts damage.



a. Enable Position

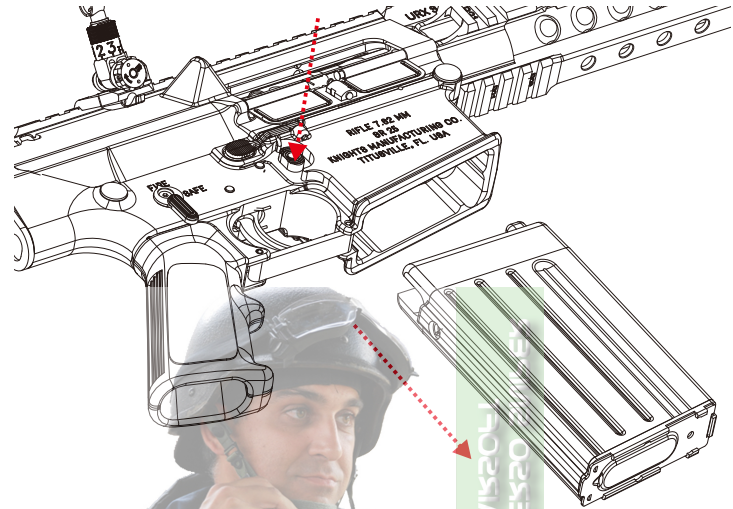
b. Disable Position

Chapter 2 - Operating Instructions

2-1 Checking Before You Fire

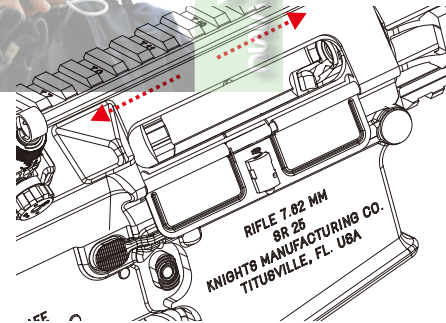
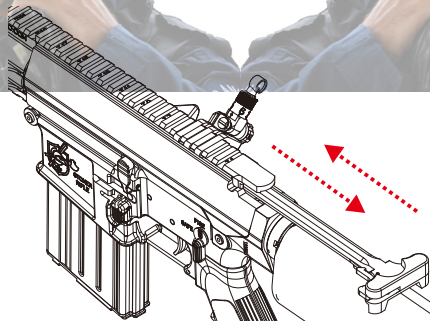
a. Remove the Magazine

Press Magazine catch button and remove the Magazine.



b. Cocking the Bolt

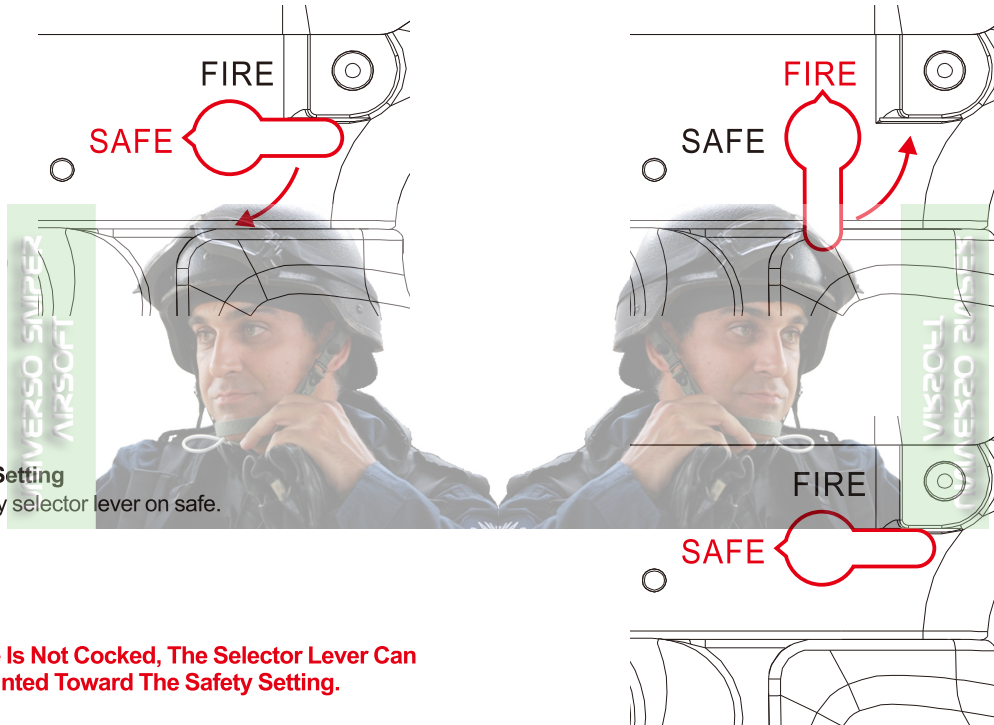
Lock Bolt open, Pull Charging handle rearward to check that there is no BBs in the chamber, Return Charging handle to forward. If there is, please remove the BBs from the chamber. Check the Bolt and Charging handle to ensure free movement in the receiver.



CAUTION: Do Not Put Your Finger Into The Chamber, It's Dangerous.

c. Check the Selector Lever

Perform safety function check to ensure that safety selector lever works properly.



d. Safety Setting

Place safety selector lever on safe.

NOTE:

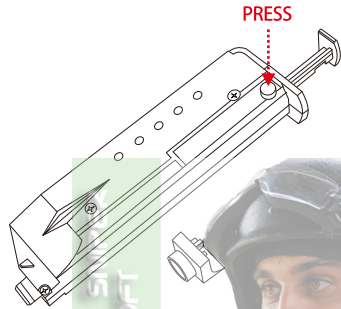
If The Rifle Is Not Cocked, The Selector Lever Can Not Be Pointed Toward The Safety Setting.

WARNING:

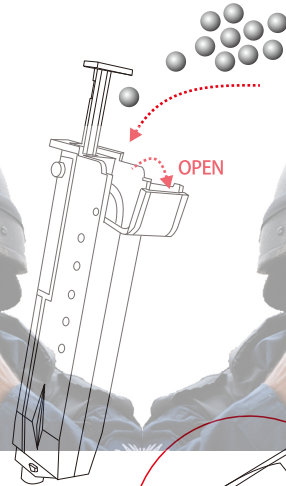
Always Point The Muzzle In A Safe Direction.

2-2 Load the BBs

a. BB Loader

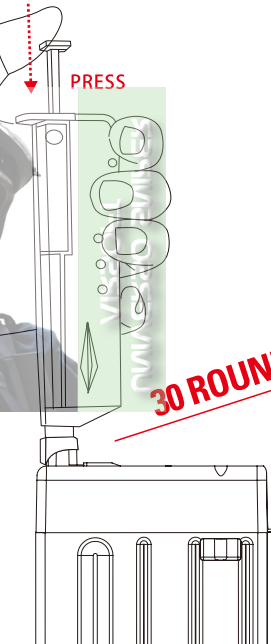


b. Insert the BBs to Loader



c. Load BBs

Insert the BBs into the Magazine.
The maximum capacity is 30 round.



Always use the quality BBs for this airsoft gun. we will not be held responsible for any damage and accidents arising from using of bad quality BBs.



Diameter Larger Than 6mm



No True Round Bbs



Both Halves Not Aligned



With Flash



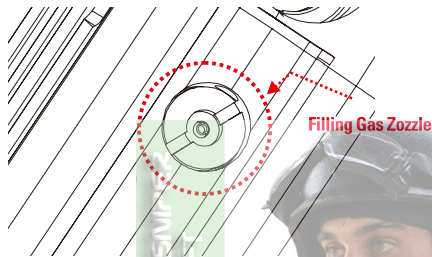
Used Or Soiled

CAUTION: Do Not Force To Over Load.

2-3 Filling the Gas

a. Check the Nozzle

Push the gas canister nozzle into the Filling gas nozzle. Make sure the canister is in vertical position when charging.



b. Filling the Gas

For the better performance of the GBB rifle. Do not shoot the rifle right after charging the gas.

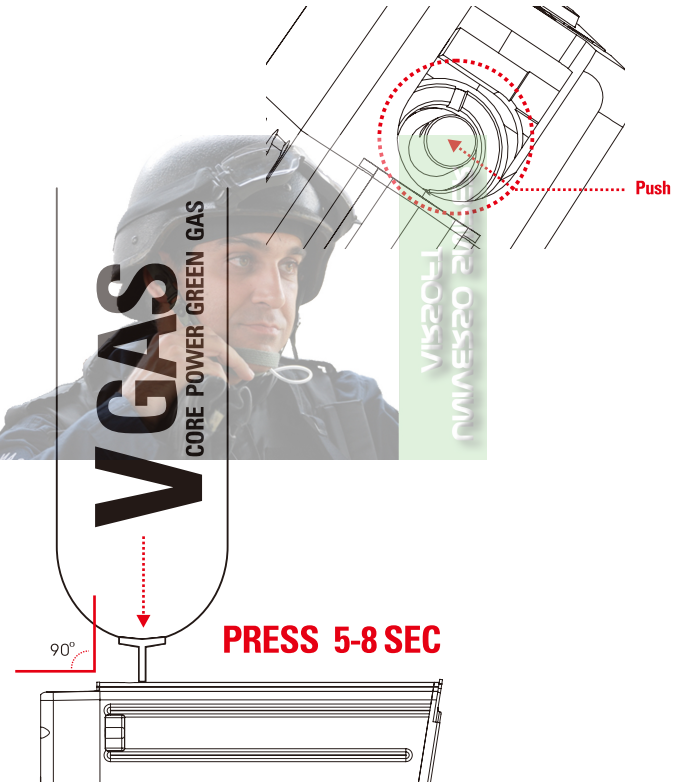
CAUTION / WARNING

You may experience a delay action if the surrounding temperature drops below 20° C/68° F. Remember, do not expose magazine directly under the sun or incinerate the magazine, it may cause bursting. It is strongly recommended to empty gas from magazine after shooting. Be sure to avoid direct gas contact with Eyes or Skin when gas is being released, it will cause frostbite.

1. Check canister for any cracks or leaks before using.
2. Do not expose canister over 40° C/ 104° F.
3. Do not leave canister directly over fire.
4. Do not boil canister.
5. Keep canister away from direct sunlight.
6. Do not leave canisters inside the vehicle

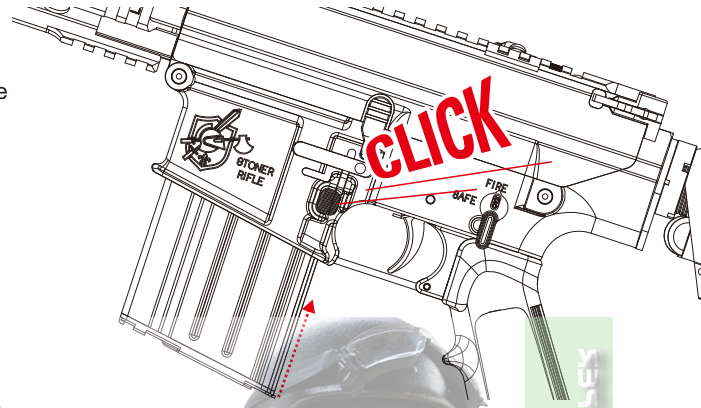
c. Release the Gas

Please discharge the magazine by press the valve gently, for releasing residual gas.



2-4 Setting Magazine

Push magazine up in to magazine well. Make sure to set the magazine upwards and connect it firmly until a **CLICK SOUND** is heard.



2-5 Ready to Fire

a. Check the Chamber

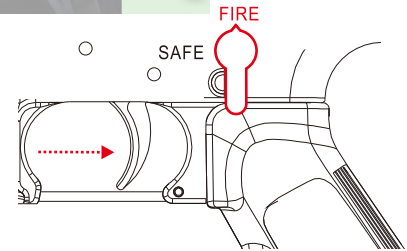
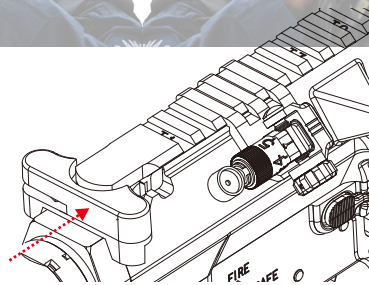
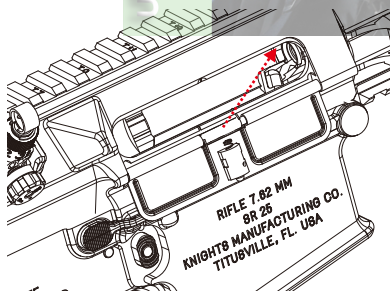
Open bolt and check firing chamber. Make sure it is clear.

b. Return the Charging Handle

forward the charging handle to locked position.

c. Firing Mode Select

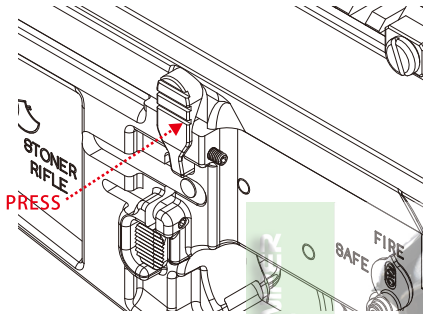
- To rotate the safety selector lever on Fire Position.
- Pull the Trigger to fire.



WARNING: Always Point The Muzzle In A Safe Direction.

2-6 Release Bolt

Press the Button release Bolt to Chamber.

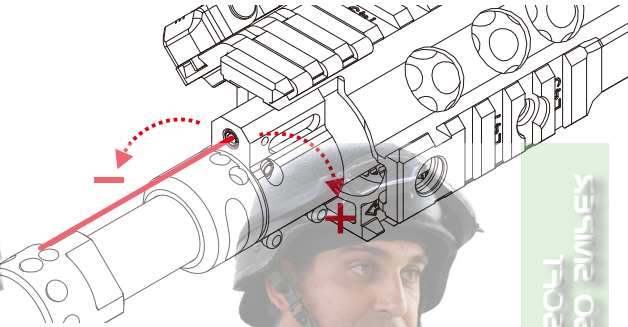


2-7 Vaiable HOP-UP System

This HOP-UP system is adjusted by 2.5mm hex wrench.

Turn the adjustment towards "Right" to give bullets more hop up. (+)

Turn the adjustment towards "Left" to give bullets less hop up. (-)



2-8 Adjust HOP effect

⊘ Too much hop-up
(Return the lever toward NORMAL)

+

✓ Best position

-

⊘ Not enough hop-up(Move the lever toward HOP)
Or, too much hop-up(Return the lever toward NORMAL)

NOTE:

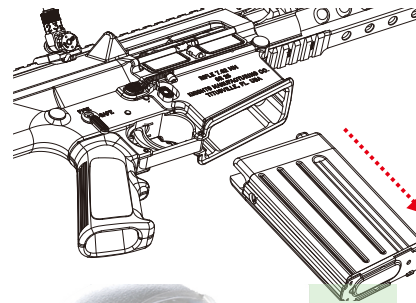
Never hold the gun sideways as BB bullets will curve right or left. this is due to the HOP UP system.
The Best setting is, where bullets fly horizontally.

Chapter 3 - Maintenance

3-1 Field Stripping

a. Remove the Magazine

Press Magazine catch button and remove the Magazine.



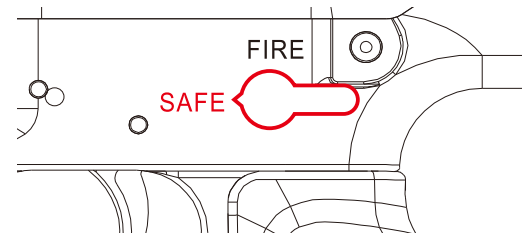
b. Cocking the Hammer

Pull the Charging handle rearward, Cocked the Hammer, Return Charging handle to forward.



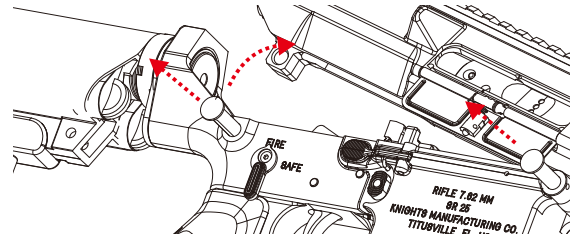
c. Safety setting

Place safety selector lever on safe.



d. Pull Up the Take Down Pin and Pivot Pin

- Push in Take down pin as far as it will go .Pivot Upper receiver from lower receiver.
- Push in pivot pin. Separate Upper and lower receiver.



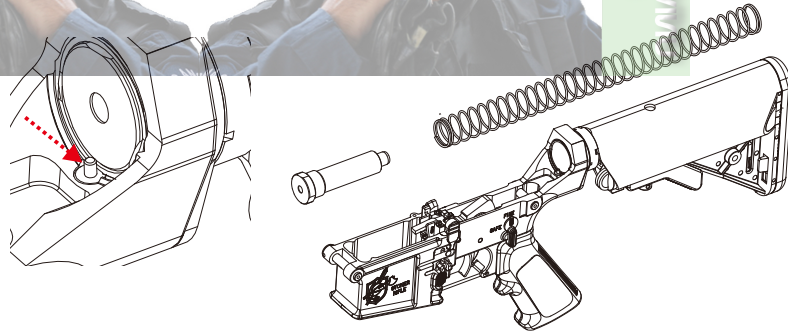
e. Remove the Bolt Assembly

Pull back the charging handle, Take down the bolt carrier and blot.

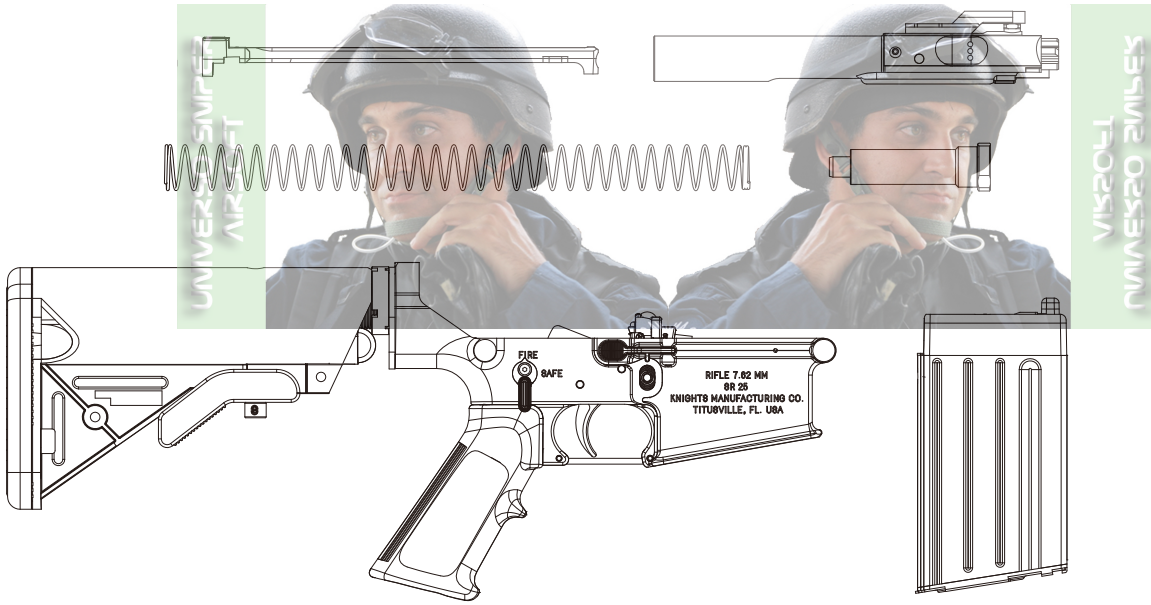
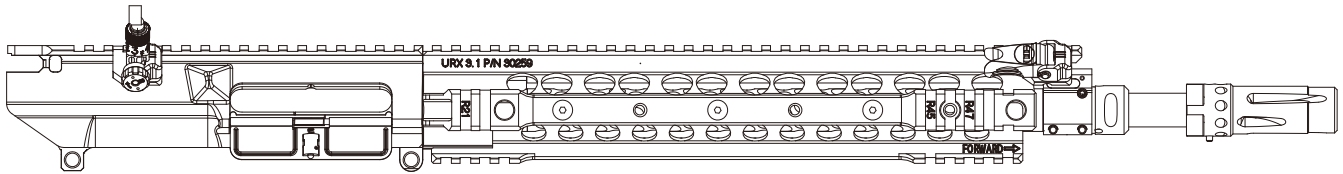


c. Remove the Buffer Assembly

Press the Buffer stop pin,
Pull out the Action Spring and Buffer.



3-1 Field Stripping



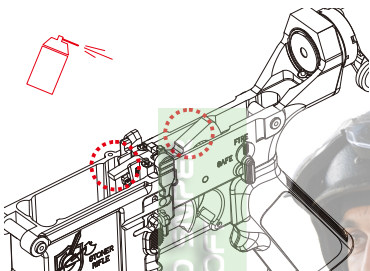
Parts List
Download

3-2 Cleaning and Maintenance

CAUTION: Use silicone oil the lubrication only.
Do not use WD-40 as lubrication.

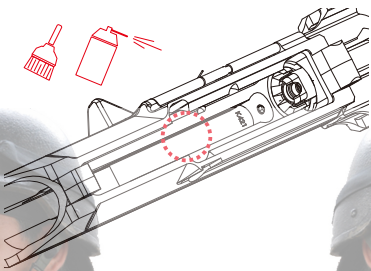
a. Lower Receiver

Lightly lubricate all moving parts inside the lower receiver.



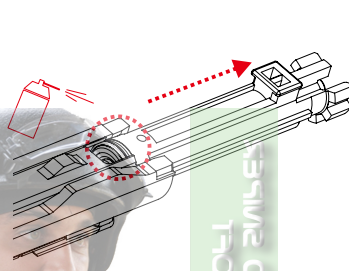
b. Upper Receiver

Clean all areas and out of fouling, Metal debris and dirt.



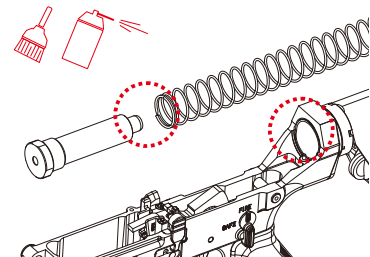
c. Bolt Assembly

Use silicone oil lightly lubricate all contact area.



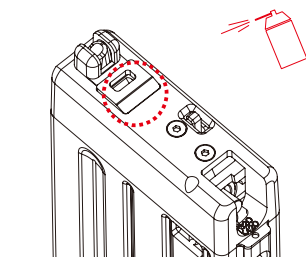
d. Buffer Assembly

Clean all areas and use silicone oil lightly lubricate all contact area.



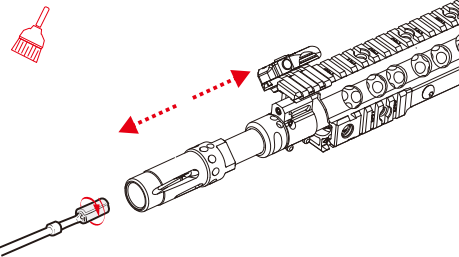
e. Magazine

Clean all areas and out of fouling, Metal debris and dirt.



f. Inner Barrel

Use patch holder to clean the inner barrel.



3-4 Trouble Clinic

Symptom	Cause	Action
No operation at all.	<ol style="list-style-type: none"> 1. No Gas in Magazine. 2. Selector lever on safe. 3. Not loaded. 4. The Magazine is in low temperature . 5. The pressure inside the Magazine is too high. 	<ol style="list-style-type: none"> 1. Unload the Magazine and filling the Gas. 2. Turn the selector lever on semi/ full auto sites. 3. Pull the Charging handle, loading the rifle. 4. After running fire, the Magazine will be in low temperature . Please, unload the Magazine until the Magazine temperature rise to normal. 5. Do not use GAS which pressure is surpassed 12 bl , and Do not warming the Magazine.
Magazine leak.	<ol style="list-style-type: none"> 1. O ring aged. 2. O ring broken. 3. Charging valve broken. 	<ol style="list-style-type: none"> 1. Purchase the replacement part at your dealer or from VFC. 2. Purchase the replacement part at your dealer or from VFC. 3. Purchase the replacement part at your dealer or from VFC.
The recoil force decreases.	<ol style="list-style-type: none"> 1. The Magazine is in low temperature. 2. The gas pressure is insufficient 3. Lubrication insufficiency 4. Bolt O ring broken 	<ol style="list-style-type: none"> 1. After running fire, the Magazine will be in low temperature . Please, unload the Magazine until the Magazine temperature rise to normal. 2. Unload the Magazine and refill the gas. 3. The moving part needs lubrication. 4. Purchase the replacement part at your dealer or from VFC.
The trajectory is not steady	<ol style="list-style-type: none"> 1. Too much hop setting. 2. Inner Barrel or Hop parking contaminated by oil or dirt. 3. Worn or damaged hop parking. 4. Improper or too large size BB bullets. 	<ol style="list-style-type: none"> 1. Gradually return adjustment lever towards normal. 2. Clean the oil or dirt. 3. Purchase the replacement part at your dealer or from VFC. 4. Use the quality BBs.

If you have any other states, please contact with your dealer or write the E-MAIL for us service@vegaforce.com.tw

**1KG
PACK**

SUPREME PRECISION GRADE BBs

For Your Gas Rifle And Pistol 100% Made In Taiwan



Plastic Series

Diameter
5.95 mm
± 0.01mm



CERTIFICATIONS:

Biodegradable Test Report ISO 14855-1 in connection with DIN EN 13432
Certified EN 71 part 3:2013
Compliant with ASTM D-6400-99 *Standard Specifications for Compostable Plastics"

BIO Series



VegaForce® Company

[http:// www.vegaforce.com](http://www.vegaforce.com)

8F., No.609, Sec. 1, Wanshou Rd., Guishan Dist.,
Taoyuan City 333, Taiwan (R.O.C.)
Phone: +886-2-8200-6630
Fax: +886-2-8200-6631
e-Mail: service@vegaforce.com.tw

UNIVERSO SIMPER
AIRSOFT



UNIVERSO SIMPER
AIRSOFT



KNIGHT'S
ARMAMENT
AIRSOFT

ZSHOT

The replica KAC Stoner SR-25 Enhanced Combat Carbine is produced with the full cooperation and support of Knight's Armament Company, USA.