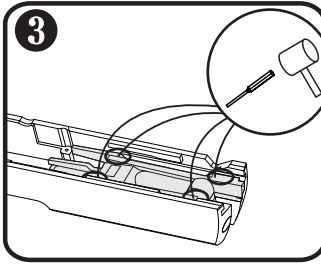
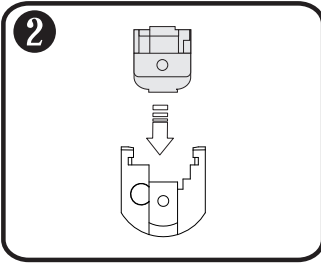
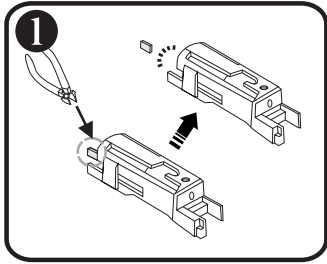


# STEP 1 滑套安裝

INSTALL THE SLIDE

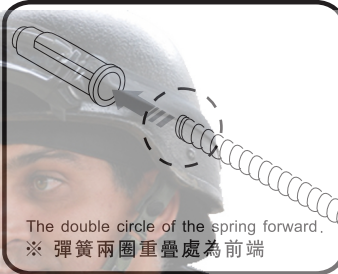
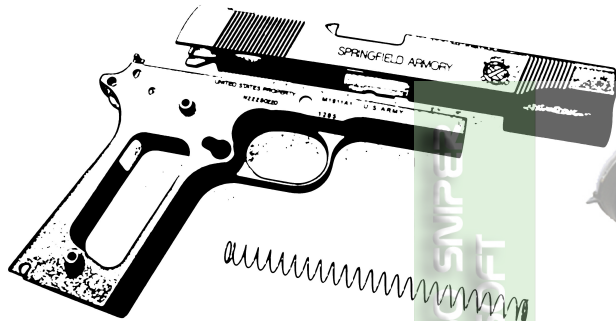
Use the punch and hammer to make sure the piston to the right position.

※ 裝入時需以工具輔助，確定已至定位。



# STEP 2 複進簧安裝

INSTALL THE RECOIL SPRING



The double circle of the spring forward.  
※ 彈簧兩圈重疊處為前端

M.E.U.

鋁合金金屬槍身滑套組

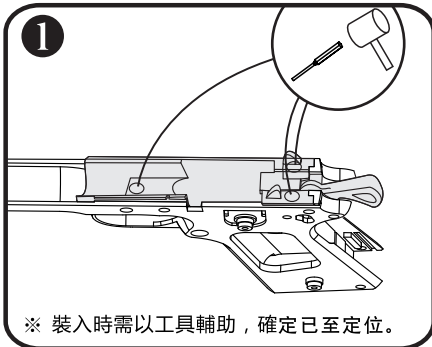
ALUMINUM SLIDE & FRAME SET 安裝技巧

INSTALLING TIPS

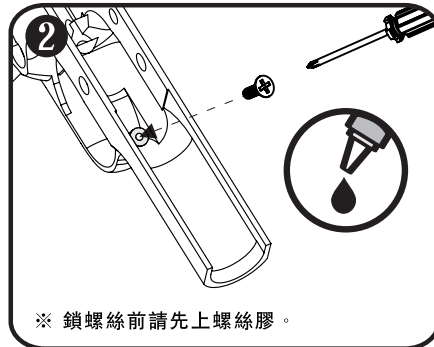
安裝技巧

# STEP 3 下槍身安裝

INSTALL THE FRAME



※ 裝入時需以工具輔助，確定已至定位。



※ 鎖螺絲前請先上螺絲膠。

Use the punch and hammer to make sure the piston to the right position.

Use the cscrow glue on the screw and then tighten it.

VegaForce Company  
<http://www.gb-tech.com.tw>



UNIVERSAL AIRSOFT

