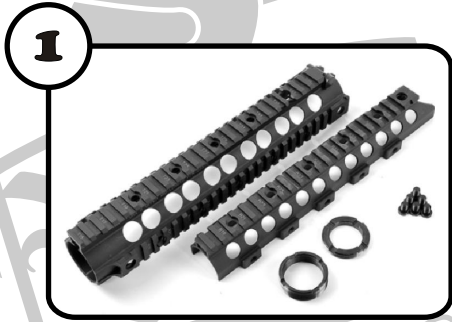
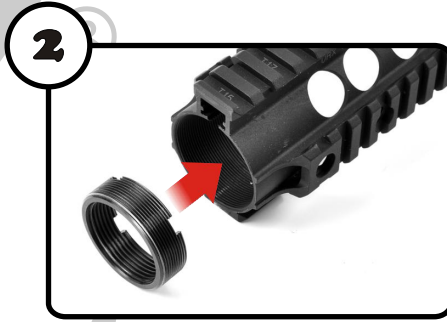


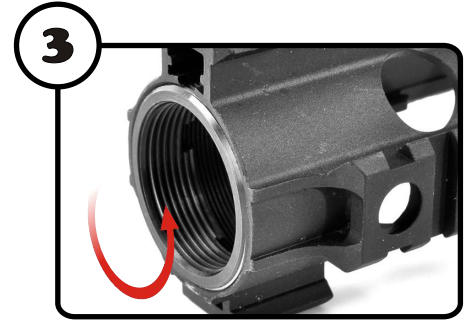
URX Type Tactical Handguard Instruction Manual



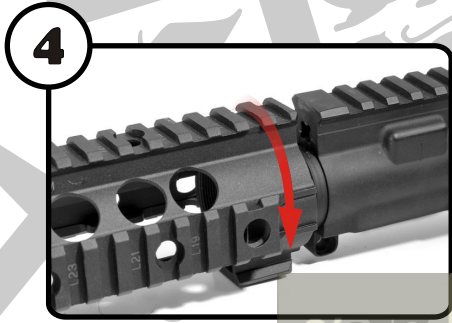
Check the URX components.



Install the rail nut.



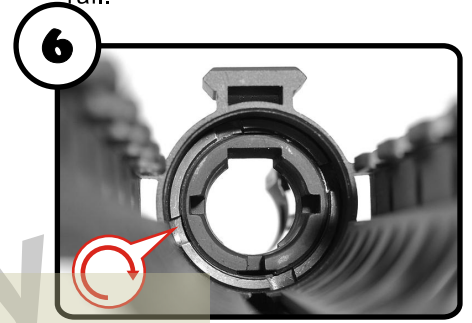
Pre-assemble barrel nut in upper rail.



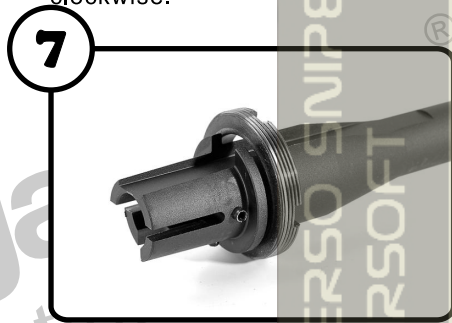
Rotate URX upper rail revolution clockwise.



Keep the upper and the URX aligned.



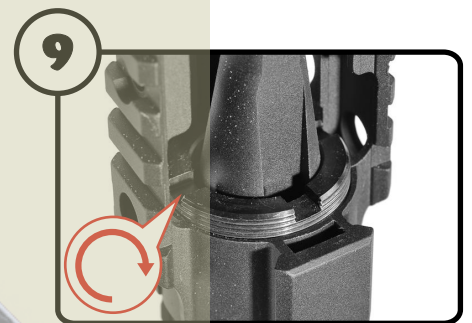
Tighten the rail nut.



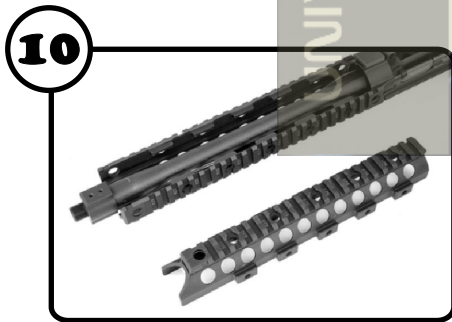
Pre-assemble the barrel nut.



Install the barrel.



Tighten the barrel nut.



Install the barrel.



Install the screws.

Finish!



NOTE:

For easy assembly you might need an URX Vice Jaw and an URX barrel nut wrench which is produced by the original manufacturer.



VegaForce Company
<http://www.gb-tech.com.tw>