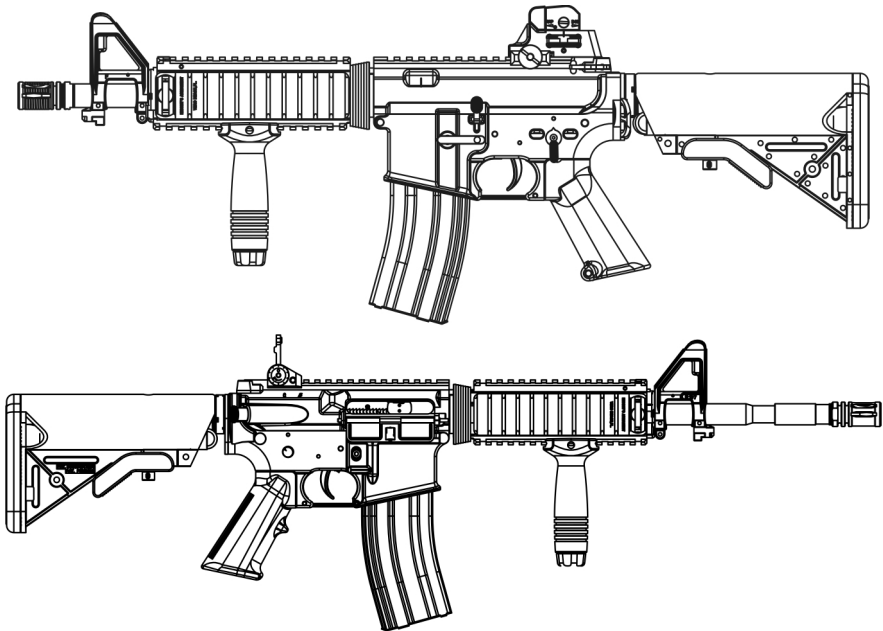


使用說明書

HANDLING CAUTIONS AND INSTRUCTION MANUAL

M4 SERIES / MK18 MOD 0

HANDLING CAUTIONS AND INSTRUCTION MANUAL



VegaForce Company
<http://www.gb-tech.com.tw>



VegaForce Company
Automatic Electric Rifle

對象年齡十八歲以上 User restricted to 18 years of age or older

4F-6, No.14, Xiwei St., Sanchoung City, Taipei County 241, Taiwan
TEL : 886-2-2287-9427 FAX : 886-2-2287-9450
Email : gb.tech@msa.hinet.net

FOR AIRSOFT GUNS ONLY.CAN NOT BE MODIFIED OR USE FOR REAL FIREARMS.

M4 SERIES / MK18 MOD 0

HANDLING CAUTIONS AND INSTRUCTION MANUAL

CONTENTS

- 2 WARNING
- 3 ABOUT SOPMOD M4
- 4 ABOUT MK18 MOD 0
- 5 MAIN PARTS & SPEC. for M4
- 6 MAIN PARTS & SPEC. for MK18 MOD 0
- 7 FEATURES
- 9 COMPONENT NAME
- 10 OPERATING
- 13 PARTS LIST for M4 SERIES
- 15 PARTS LIST for MK18 MOD 0
- 17 DROP IN

■ WARNING ■

Always read through this manual before operation.

- Always wear eye protective gear.
- Never aim or shoot a person or animal as the target.
- You may be punished if you are shooting for a practical joke.
- Never look into the gun muzzle.
- Always direct the muzzle towards a safe direction.
- Never shoot the air gun at places where people and cars pass cross.
- Avoid pulling the trigger carelessly.
- Please put away your fingers from the trigger, except when you are ready to shoot a target.
- Always put the gun in a case or bag when you are carrying it.
- Store the gun at places out of reach by children.

NSN 1005-LL-L99-5996

SOPMOD M4

The M4 and variants fire 5.56x45mm NATO ammunition and are gas-operated, air-cooled, magazine-fed, selective fire firearms with a 4-position telescoping stock. Original M4 models had a flat-ended telescoping stock, but newer models are now equipped with a redesigned telescoping stock that is slightly larger with curvature at the end.

The M4 Carbine with the newer, redesigned telescoping stock. As with many carbines, the M4 is handy and more convenient to carry than a full-length rifle. While this makes it a candidate for non-infantry troops (vehicle crews, clerks and staff officers), it also makes it ideal for close quarters combat (CQC), and airborne and special operations. It has been adopted by United States Special Operations Command (USSOCOM) and is the preferred weapon of the U.S. Army Special Forces and Navy SEALs. M4's have also been fielded by the Australian Special Air Service Regiment. Malaysia purchased M4 Carbine service rifles to replace the Steyr AUG service rifles in its armed forces in 2006 and will be manufactured in Malaysia under license by SME Ordnance Sdn Bhd. It is expected that these weapons will not only be used by MAF, but also will attract other users such as Police, Coast Guard and other enforcement agencies.

The M4 was developed and produced for the United States government by Colt Firearms, which has an exclusive contract to produce the M4 family of weapons through 2009; however, a number of other manufacturers offer M4-like firearms. The M4, along with the M16A4, has mostly replaced the M16A2; the U.S. Air Force, for example, plans to transition completely to the M4 Carbine. The M4 is similar to much earlier compact M16 versions, such as the 1960s-era XM177 family.

The United States Marine Corps has ordered its officers (up to the rank of lieutenant colonel) and (senior) Staff Non-commissioned officers to carry the M4 carbine instead of the M9 handgun. This is in recognition that pistols are largely useless in current conflicts, and is in keeping with the Marine Corps motto, "Every Marine a rifleman." United States Navy corpsmen will also be issued M4s instead of the M9, according to the Marine Corps Times.



Close Quarters Battle Receiver

MK18 MOD 0

The Close Quarters Battle Receiver (CQBR) is a replacement upper receiver for the M4A1 Carbine. The CQBR upgrades the M4 with a barrel 10.3 in (260 mm) long, the modern equivalent of the Colt Commando short-barrel M16 variants of the past. Its preliminary National Stock Number was 1005-LL-L99-5996; however, a complete CQBR-equipped carbine now has the NSN 1005-01-527-2288. The overall length of the upper receiver is 19.25 inches (489 mm). With the stock retracted, the overall length of the weapon is 26.25 inches (666 mm). The CQBR entered service in 2000.

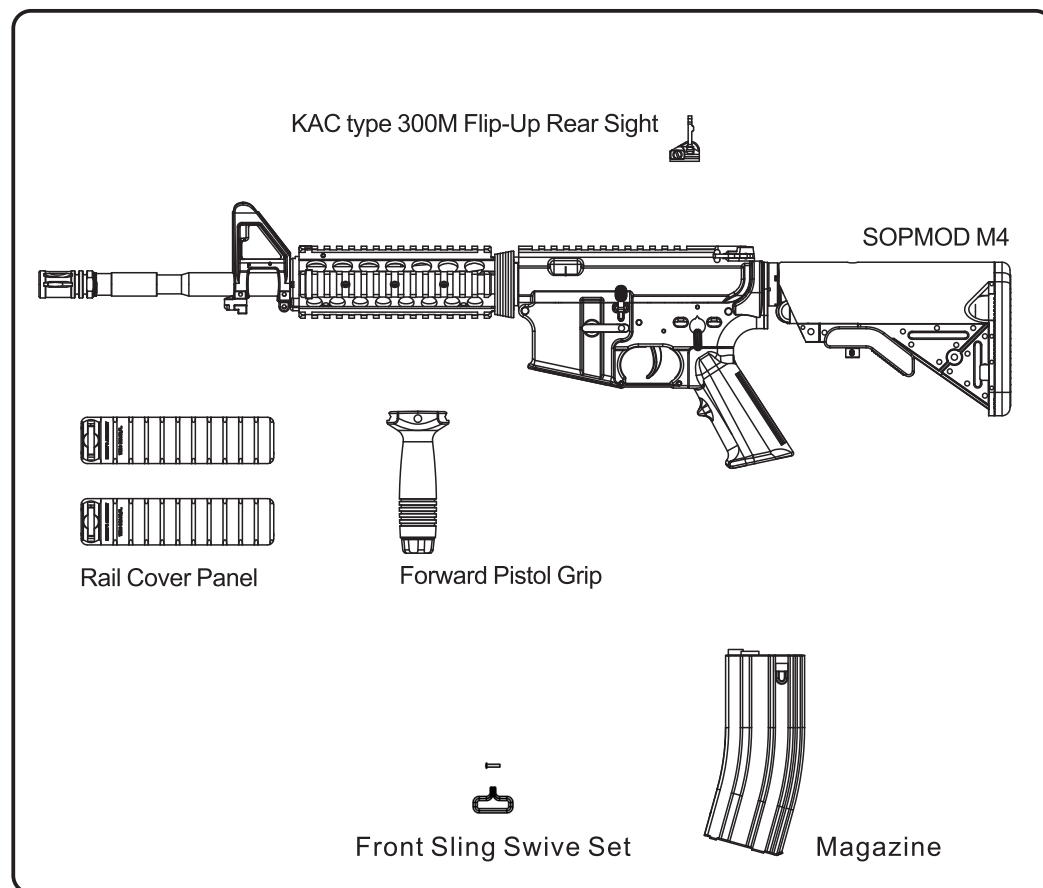
Background-

The M4 and M16 are not ideally suited for all missions, so it was proposed that the modularity of the M16 series would allow a user to replace the upper receiver of an existing weapon with one more suitable to the task. One of two proposed special mission receivers that were planned for inclusion into the SOPMOD Block II kit, the CQBR has taken off on its own. Like the proposed Special Purpose Receiver, the Close Quarters Battle Receiver has been more or less taken on by the Naval Surface Warfare Center, Crane Division (often referred to as NSWC-Crane or just "Crane") as its own project following the CQBR's removal from the SOPMOD program. Just as the Special Purpose Receiver morphed into the Special Purpose Rifle, and was type-classified as Mk 12 Mod 0/1, the complete CQBR-equipped carbine has been type-classified as the Mk 18 Mod. 0.

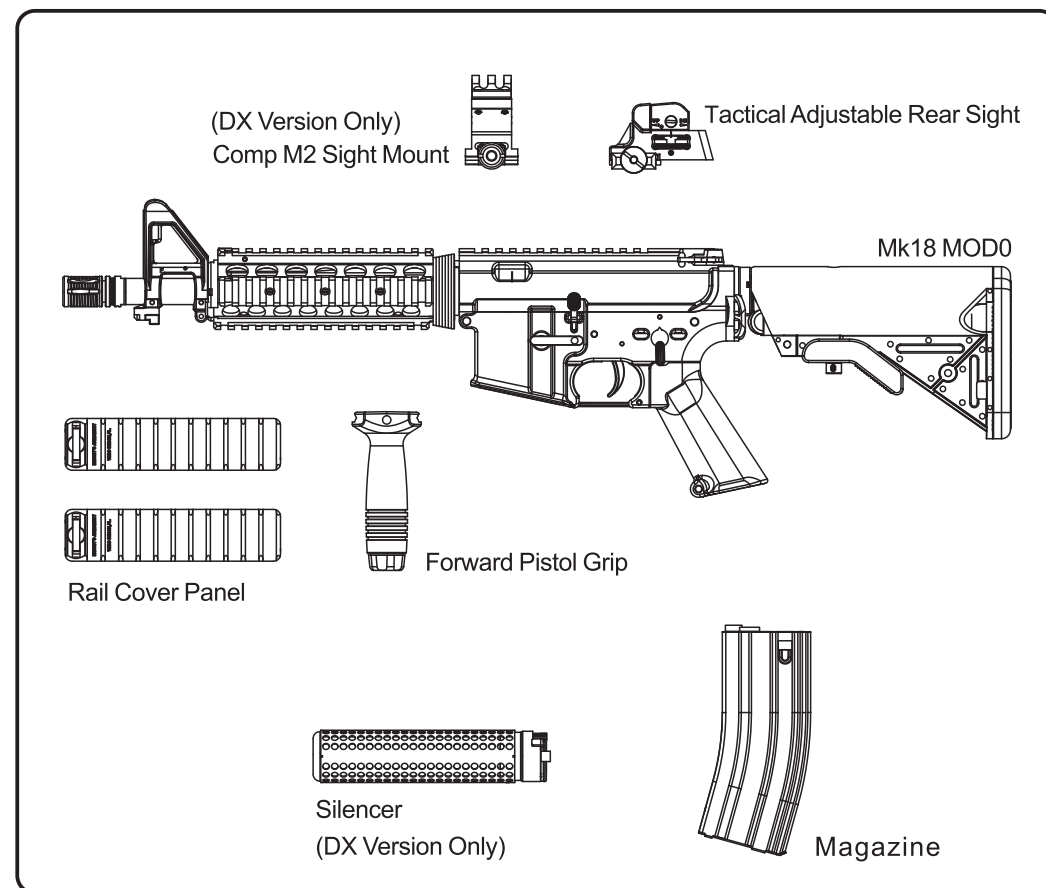
The purpose of the CQBR remains to provide operators with a weapon of submachine gun size, but firing a rifle cartridge, for scenarios such as VIP protection, urban warfare, and other close quarters battle (CQB) situations. The CQBR is designed to provide improvement over previous AR-15/M16-type weapons in this category. The CQBR is usually issued as a complete weapon system, and not just an upper receiver. The CQBR was once only available to Naval Special Warfare units, but the Mk 18 Mod 0 has become general issue for Visit, Board, Search, and Seizure (VBSS) missions. NCIS agents deploying to active combat zones are also issued the Mk 18 as of 2006.



■ Main Parts for M4 series



■ Main Parts for MK18 MOD 0



■ Specifications Comparison

Actual Fire Arms	Data	Avalon SOPMOD M4
14.5 in	Barrel	285 mm
29.8 / 33 in	Length	789 / 866 m
5.9 lb	Weight	2925 g
5.56mm x 45 NATO	Caliber	6 mm BB
30 round	Capacity	300 round
700-950 RPM	Cycle Rate	850-950 RPM

- All text is available under the terms of the GNU Free Documentation License. (See Copyrights for details.)

Wikipedia® is a registered trademark of the Wikimedia Foundation, Inc., a U.S. registered 501(c)(3) tax-deductible nonprofit charity.

■ Specifications Comparison

Actual Fire Arms	Data	Avalon MK18 MOD 0
10.3 in	Barrel	285 mm
26.25 / 30.15 in	Length	696 / 777 m
-lb	Weight	2845 g
5.56mm x 45 NATO	Caliber	6 mm BB
30 round	Capacity	300 round
900 RPM	Cycle Rate	850-950 RPM

- All text is available under the terms of the GNU Free Documentation License. (See Copyrights for details.)

Wikipedia® is a registered trademark of the Wikimedia Foundation, Inc., a U.S. Registered 501(c)(3) tax-deductible nonprofit charity.

M4 Series



Steel Flash Hider
Steel Front Sight



M4 Lower Receiver



Thinner thickness M4 Grip



KAC type 300M Flip-Up Rear Sight

MK18 MOD 0



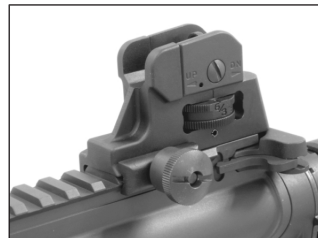
KAC Type Steel Flash Hider
Steel Front Sight



M16A1 Lower Receiver with Crane Curving



Thinner thickness M16A1 Grip



LMT Type Rear Sight

Features of M4 Series & MK18 MOD 0



CNC Machining RIS hand guard



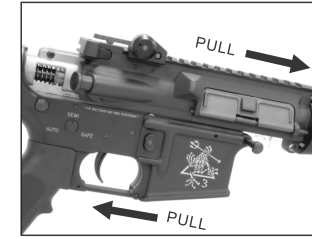
QOD type Sling Mount



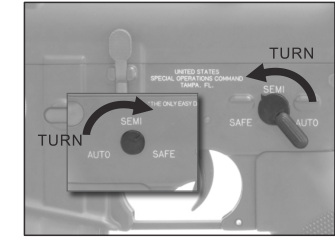
LMT type CRAME Stock with battery space



Real Steel dusty cover



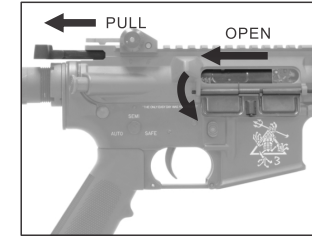
Quick changeable Upper Receiver set



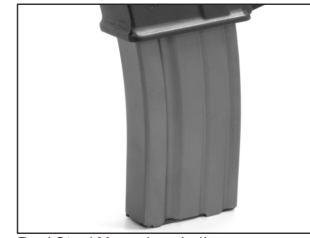
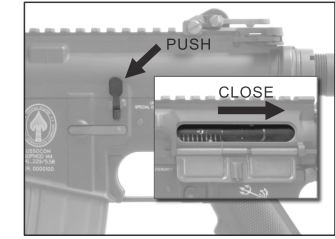
Ambidextrous selector System
(The right side selector can move with left side selector in the same time)



Steel / Aluminum Complex Type Outer Barrel
Barrel Steel Gas Tube / CNC Delta Ring



Bolt Carrier Ornament Plate can be hold in open position when pull the charging handle. Once press the Bolt Catch, the ornament plate will go back to it's original position.



Real Steel Magazine shell

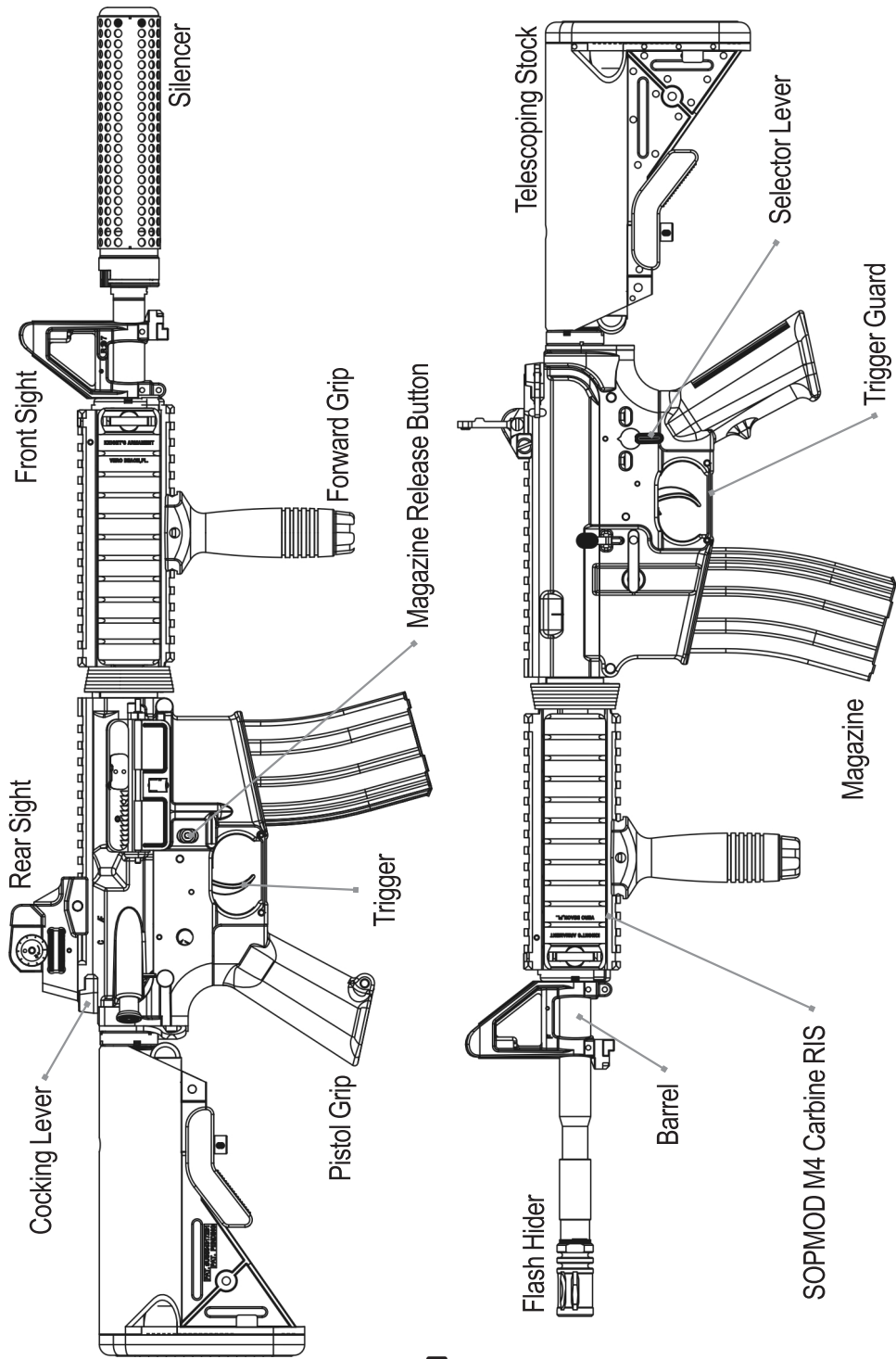


8mm Bearing Reinforced Gear Box with Steel Bearing



Spring Guide with Ball Bearing

Component Name



Selector Lever and Safety Setting
Safety Setting (The trigger can not be pulled)

Always set the lever to the Safety position when you are not firing the gun or during storage.

Semi Auto (Single Shot)

The gun will fire one shot each time the trigger is pulled.

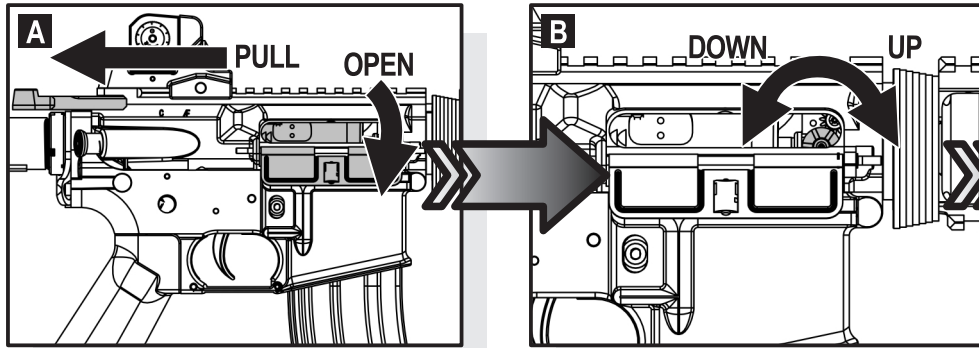
Full Auto (Automatic Shot)

The gun will fire automatically while the trigger remains pulled.

WARNING • CAUTION

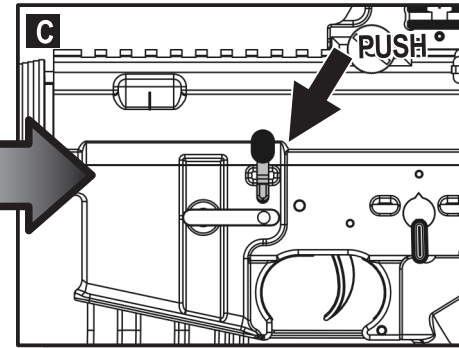
- Never operation the Selector while pulling the trigger. Otherwise, malfunctions are possible, resulting in accidents.
- Pulling the trigger with the Selector being set to safe may damage the gun.

Adjust the Hop-Up

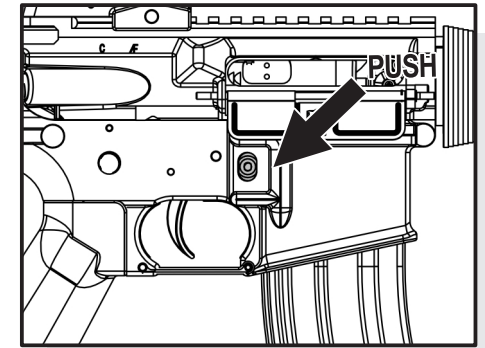


Pulling the charging handle will expose the hop-up adjustment dial in the dusty cover. To

Unload the Magazine

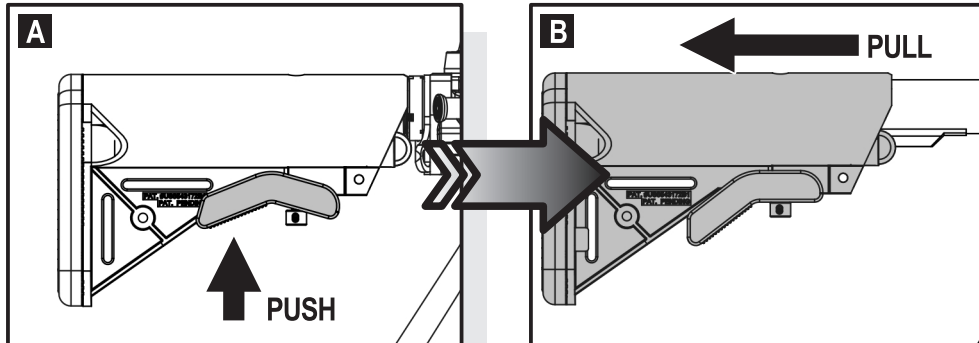


release the door, just press the door catch.



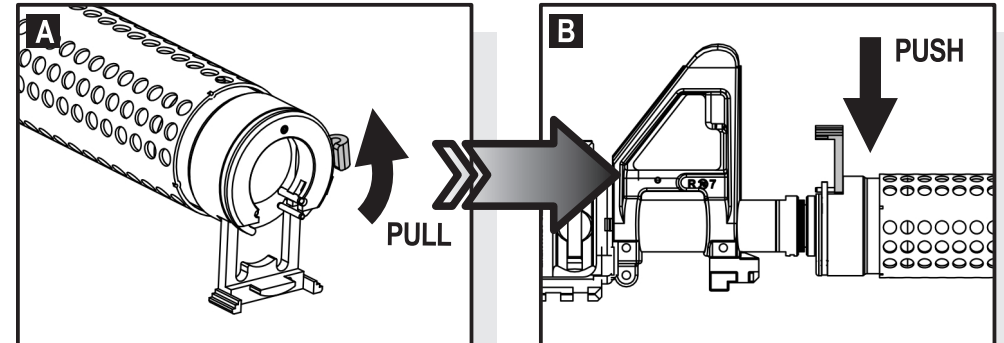
Press the magazine release button to remove the magazine.

Operate the Telescoping Stock



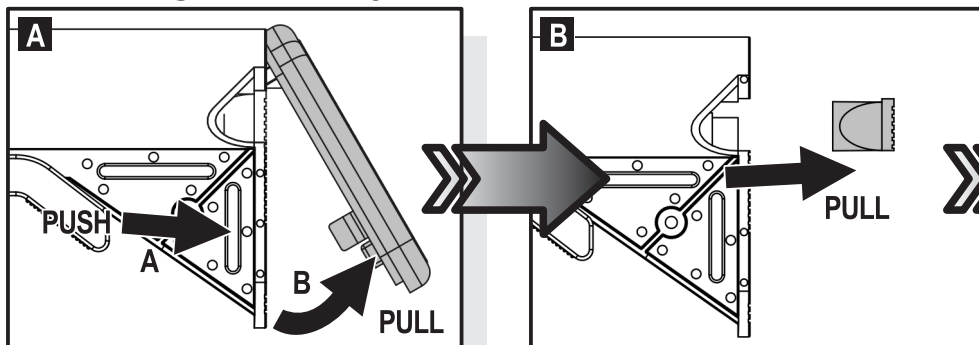
Push the Stock release button to adjust the stock position.

Install the Silencer

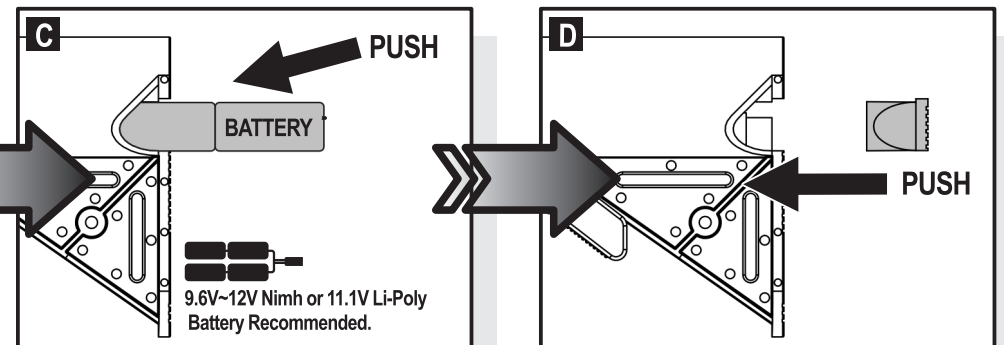


Suggest to combine with KAC flash hider & M4QD suppressor set.

Setting the Battery



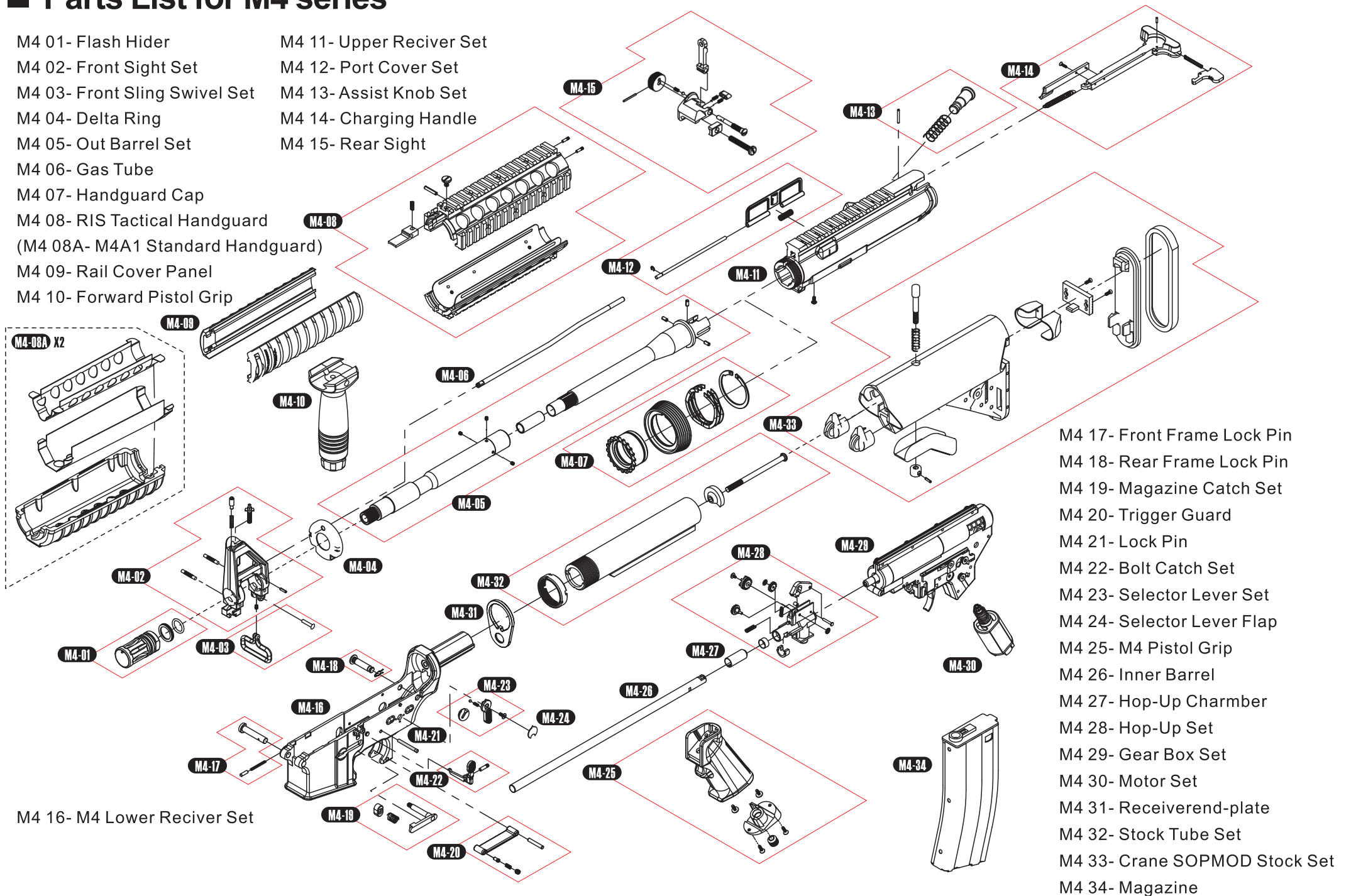
Remove the butt stock plate, and open the battery cap, then insert the battery and



close the cap and pull stock plate to finish battery installing.

Parts List for M4 series

- M4 01- Flash Hider
- M4 02- Front Sight Set
- M4 03- Front Sling Swivel Set
- M4 04- Delta Ring
- M4 05- Out Barrel Set
- M4 06- Gas Tube
- M4 07- Handguard Cap
- M4 08- RIS Tactical Handguard (M4 08A- M4A1 Standard Handguard)
- M4 09- Rail Cover Panel
- M4 10- Forward Pistol Grip
- M4 11- Upper Receiver Set
- M4 12- Port Cover Set
- M4 13- Assist Knob Set
- M4 14- Charging Handle
- M4 15- Rear Sight



M4 16- M4 Lower Receiver Set

- M4 17- Front Frame Lock Pin
- M4 18- Rear Frame Lock Pin
- M4 19- Magazine Catch Set
- M4 20- Trigger Guard
- M4 21- Lock Pin
- M4 22- Bolt Catch Set
- M4 23- Selector Lever Set
- M4 24- Selector Lever Flap
- M4 25- M4 Pistol Grip
- M4 26- Inner Barrel
- M4 27- Hop-Up Chamber
- M4 28- Hop-Up Set
- M4 29- Gear Box Set
- M4 30- Motor Set
- M4 31- Receiverend-plate
- M4 32- Stock Tube Set
- M4 33- Crane SOPMOD Stock Set
- M4 34- Magazine

Parts List for MK18 MOD 0

MK18 01- Flash Hider

M4 02- Front Sight Set

M4 04- Delta Ring

Mk18 05- Out Barrel Set

M4 06- Gas Tube

M4 07- Handguard Cap

M4 08- RIS Tactical Handguard

M4 10- Forward Pistol Grip

M4 11- Upper Receiver Set

M4 12- Port Cover Set

M4 13- Assist Knob Set

M4 14- Charging Handle

Mk18 15- Adjustable Rear Sight

M4 17- Front Frame Lock Pin

M4 18- Rear Frame Lock Pin

M4 19- Magazine Catch Set

M4 20- Trigger Guard

M4 21- Lock Pin

M4 22- Bolt Catch Set

M4 23- Selector Lever Set

M4 24- Selector Lever Flap

(M4 25)- M4 Pistol Grip

MK18 25- M16A1 Pistol Grip

M4 26- Inner Barrel

M4 27- Hop-Up Chamber

M4 28- Hop-Up Set

M4 29- Gear Box Set

M4 30- Motor Set

MK18 31- Sling Mount

M4 32- Stock Tube Set

M4 33- Crane SOPMOD Stock Set

M4 34- Magazine

(M4 16- M4 Lower Receiver Set)

MK18 16- M16A1 Lower Receiver Set

M4 17- Front Frame Lock Pin

M4 18- Rear Frame Lock Pin

M4 19- Magazine Catch Set

M4 20- Trigger Guard

M4 21- Lock Pin

M4 22- Bolt Catch Set

M4 23- Selector Lever Set

M4 24- Selector Lever Flap

(M4 25)- M4 Pistol Grip

MK18 25- M16A1 Pistol Grip

M4 26- Inner Barrel

M4 27- Hop-Up Chamber

M4 28- Hop-Up Set

M4 29- Gear Box Set

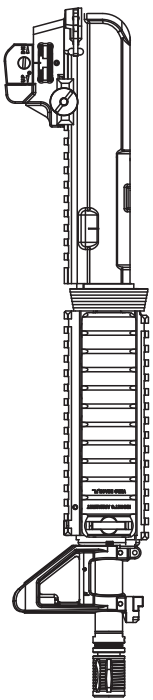
M4 30- Motor Set

MK18 31- Sling Mount

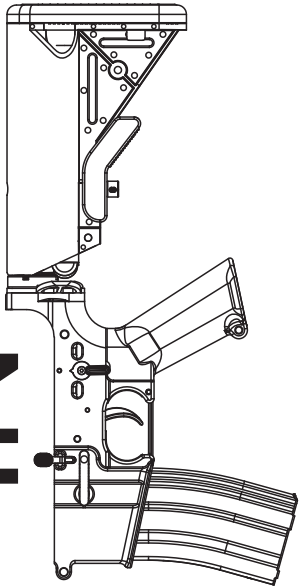
M4 32- Stock Tube Set

M4 33- Crane SOPMOD Stock Set

M4 34- Magazine

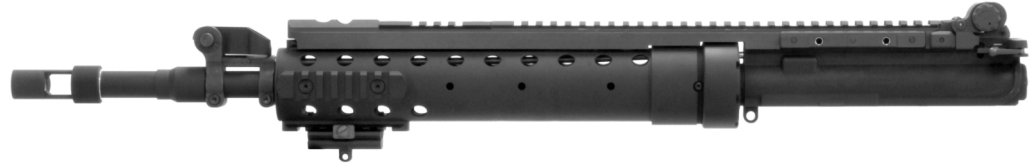


DROP IN



ENJOY YOURSELF

SPR MK12 MOD 0



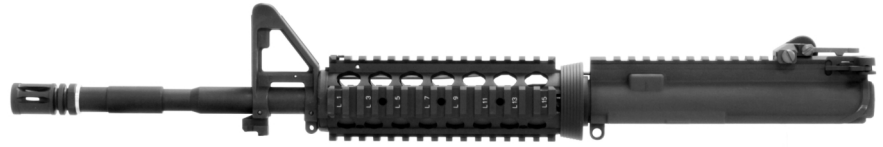
SPR MK12 MOD 1



US M4A1



US SOPMOD M4



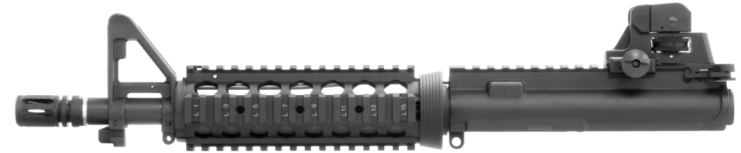
KAC RAS FF CQB SD 9mm



HK416D



MK18 MOD 0



KAC RAS FF

