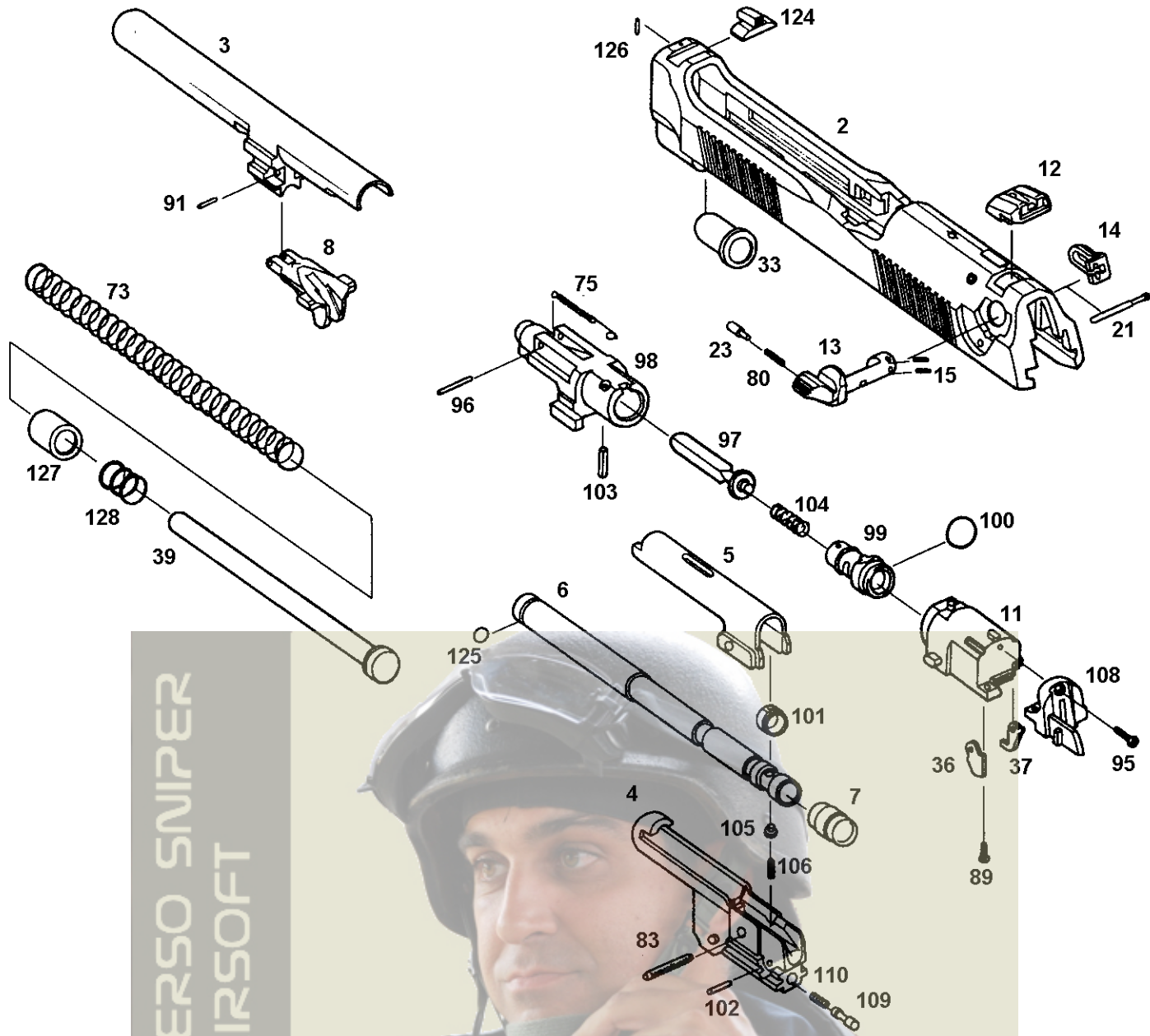
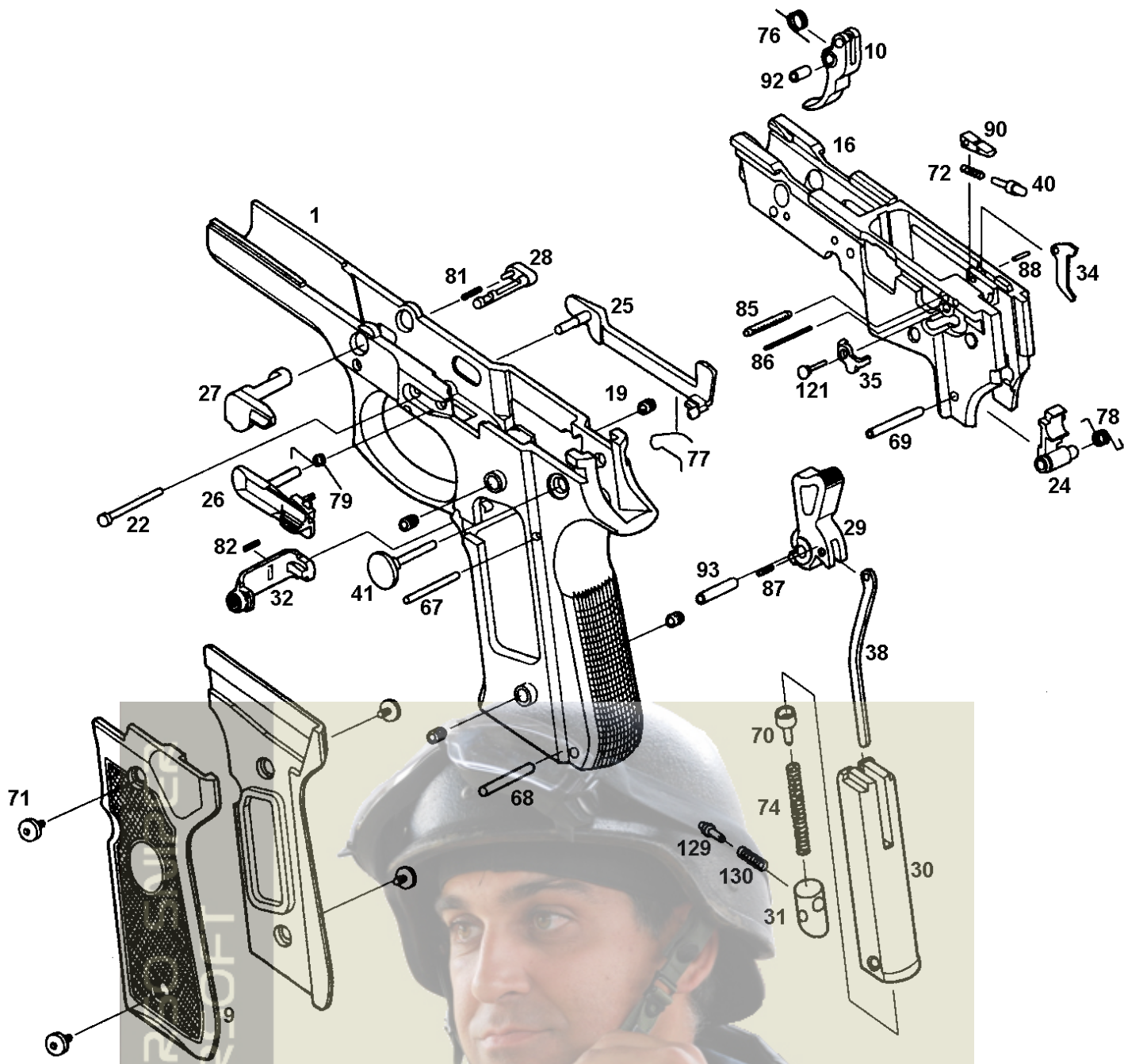


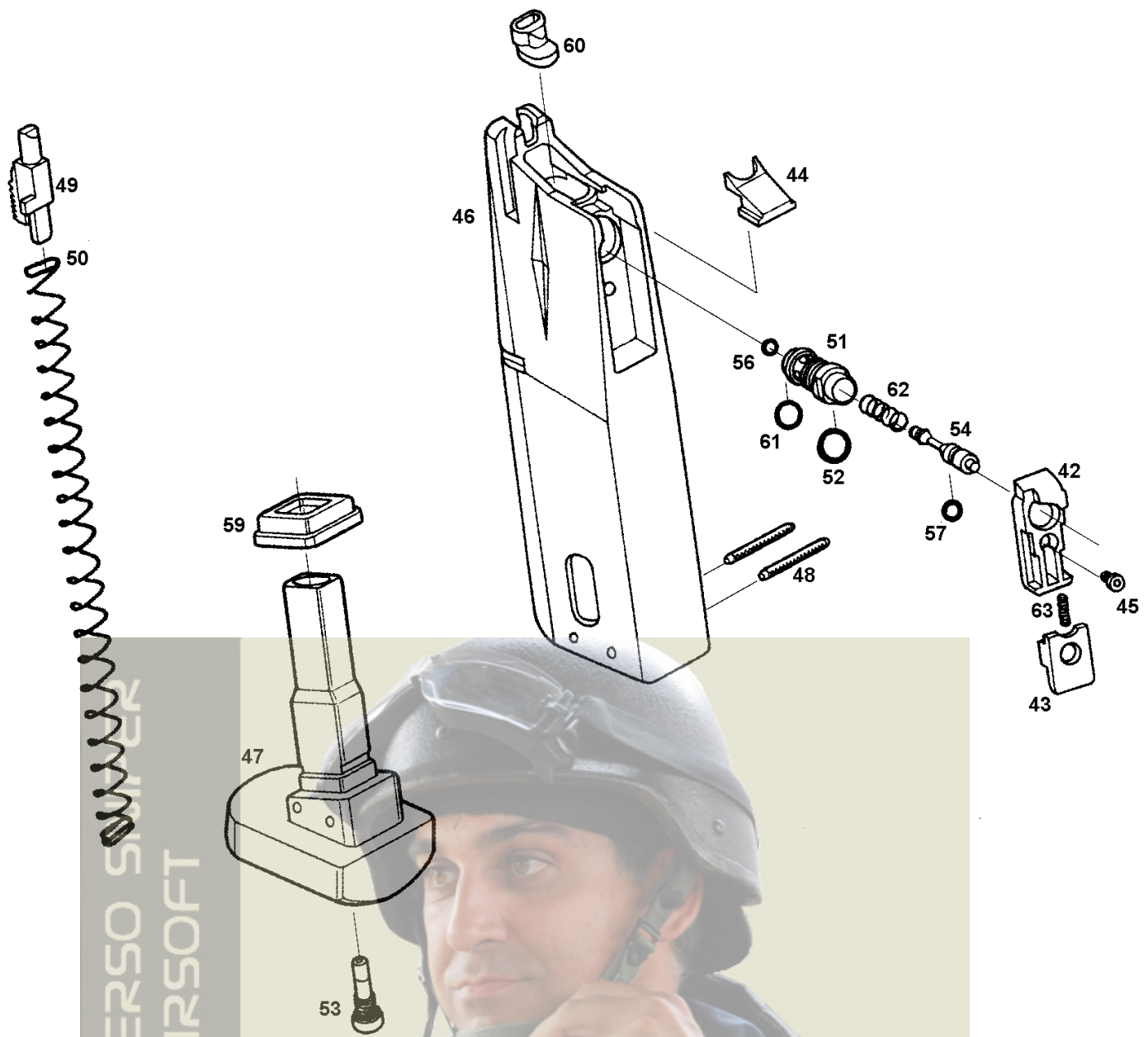
PARTS LIST FOR BERETTA M92FS ELITE



NO.	Parts No.	Parts Name	Price	NO.	Parts No	Parts Name	Price
2	BT-AK-002	E2 slide (silver)	3,500	89	STD-442	breech screw (M2 x 6)	100
3	BT-AK-003	E2 outer barrel (silver)	740	91	STD-146	locking block pin (2x9)	100
4	9204F	hop barrel guide F	800	95	STD-442	Back-plate screw (M2 x 6)	100
5	9205	hop barrel lock	300	96	STD-104	loading nozzle pin	100
6	BT-AE-006	elite inner barrel	2,600	97	BT-AE-097	floating valve	500
7	BT-AK-007	E2 chamber	700	98	9281	loading nozzle E	1,200
8	BT-AE-008	locking block	400	99	9282	piston	700
11	BTC-011	breech	800	100	STD-011	S-11.2	100
12	BT-AK-012	E2 rear sight	700	101	BT-AE-101	hop up rubber	300
13	9212	safety lever E left	600	102	STD-144	barrel guide plunger pin (2x7)	100
14	BT-AE-014	safety lever right	500	103	STD-144	piston pin (2x7)	100
15	STD-202	safety screw L(M2x4)	40	104	BT-AE-104	floating valve spring	200
21	9819	safety guide	200	105	5208	lower plunger	200
23	9537	safety plunger	100	106	STD-230	hop adjust screw (M3x9)	100
33	BT-AK-033	E2 slide weight	300	108	BT-AE-108	back plate	500
36	9827B	hammer block B	200	109	9295	barrel guide plunger	300
37	BT-AK-037	E2 de-cocking lever	200	110	9296	barrel guide plunger spring	100
39	BT-AK-039	recoil spring guide	1,000	124	BT-AK-124	E2 front sight	600
73	BT-AK-073	E2 recoil spring	400	125	BT-AE-125	barrel O-ring (9x7x1)	100
75	BT-AE-075	loading nozzle spring	200	126	STD-121	front sight lock pin (1.5x4)	40
80	9558	safety plunger spring	100	127	BT-AK-127	E2 buffer corer	300
83	STD-162	barrel lock pin (3x14)	100	128	BT-AK-128	E2 buffer spring	300



NO.	Parts No.	Parts Name	Price	NO.	Parts No	Parts Name	Price
1	BT-AK-001	E2 frame HW	4,700	69	9546	sear sleeve	100
9	9504	grip	800	70	BT-AK-070	E2 cap	200
10	9809	trigger	500	71	BT-AK-071	E2 grip screw	100
16	BT-AE-016	chassis	2,500	72	9859H	firing pin spring	200
19	BT-AK-19	E2 grip screw nut	100 x 4	74	BT-AK-074	E2 main spring	300
22	9536	trigger pin	200	76	BT-AK-076	E2 trigger spring	200
24	9820	sear	300	77	BT-AK-077	E2 trigger bar spring	200
25	BT-AE-025	trigger bar	500	78	BT-AK-078	E2 sear spring	200
26	BT-AE-026	slide stop	600	79	BT-AE-079	slide stop spring	200
27	9511	disassembly lever	600	81	9558	disassembling bottom spring	100
28	9512	disassembly bottom	300	82	BTA-135	magazine catch spring	100
29	BT-AK-029	E2 hammer	900	85	STD-150	firing pin guide pin A (2x14)	100
30	BT-AK-030	E2 main spring housing	900	86	STD-105	firing pin guide pin B (1x14)	40
31	BT-AK-031	E2 main spring cap	400	87	STD-143	hammer strut pin (2x6)	40
32	BT-AE-032	magazine catch	500	88	STD-143	hammer release lever pin	40
34	BT-AK-034	E2 hammer release lever	300	90	9874	firing pin guide	200
35	BT-AK-035	E2 valve lock release lever	200	92	BT-AK-092	E2 trigger sleeve	100
38	BT-AK-038	E2 hammer strut	200	93	BT-AK-093	E2 hammer sleeve	100
40	9830N	firing pin	300	121	BT-AE-121	valve lock release pin	200
41	9831	hammer pin	200	129	BT-AK-129	E2 magazine plunger	200
67	9545	sear pin	100	130	BT-AK-130	E2 magazine plunger spring	200
68	9544	main spring housing pin	100				



NO.	Parts No.	Parts Name	Price	NO.	Parts No	Parts Name	Price
42	9232	valve guide E	500	52	STD-026	10x8x1	100
43	9233	valve lock E	500	53	BT-AE-053	BTV charging valve	700
44	9234	packing guide E	200	54	BT-AK-054	E2 valve	600
45	9835S	valve guide screw S	100	56	STD-002	S-3	100
46	9236	magazine case	2,500	57	STD-021	5x3x1	100
47	BT-AE-047	elite magazine base	800	59	9563	magazine packing	200
48	STD-151	magazine base pin(2x20)	100	60	9850R	large gas route	200
49	9839H	magazine follower	300	61	STD-025	9x7x1	100
50	9840H	magazine spring	300	62	8659	impact spring	200
51	9241	valve sleeve E	800	63	9253	valve lock spring	100