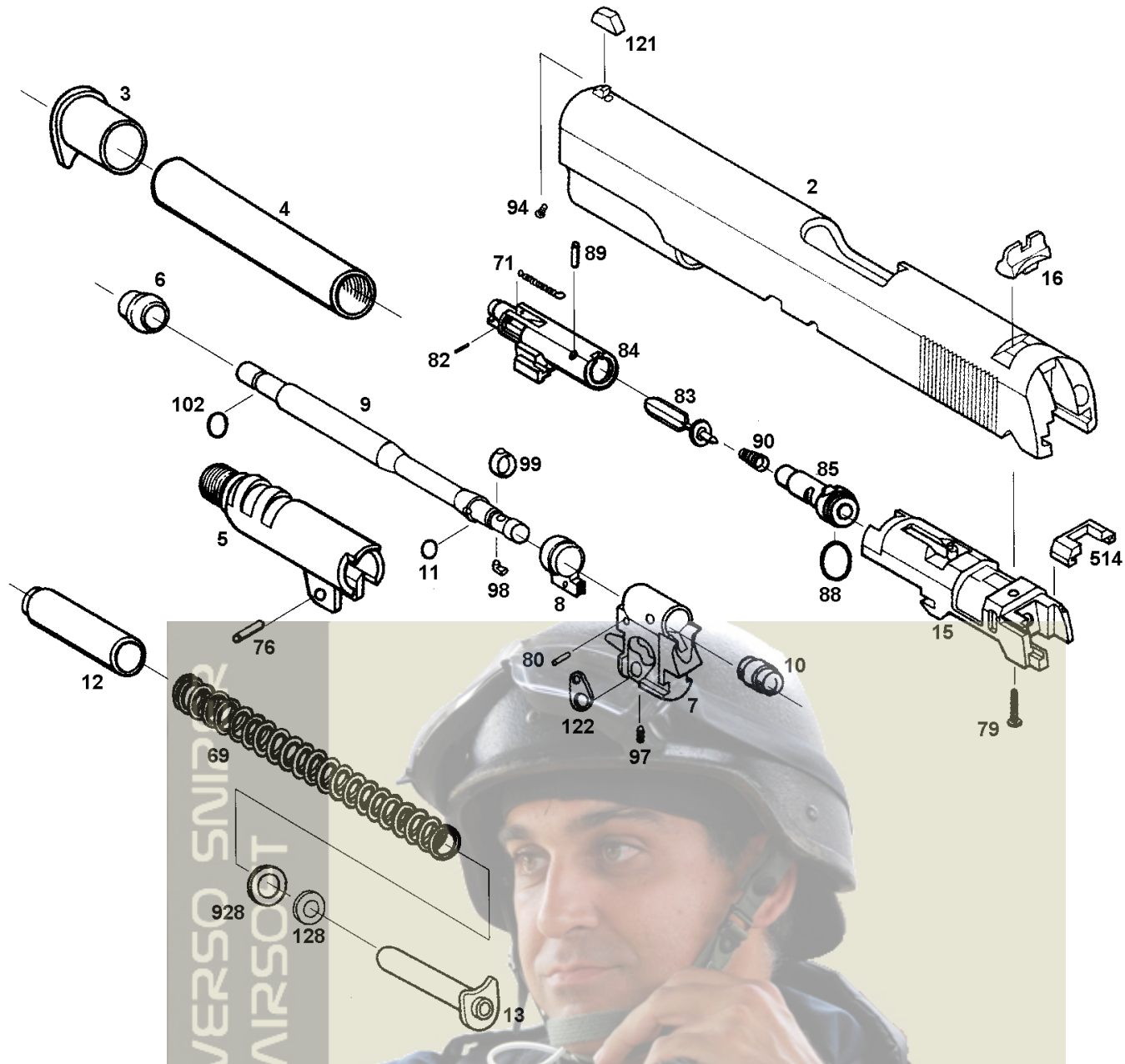
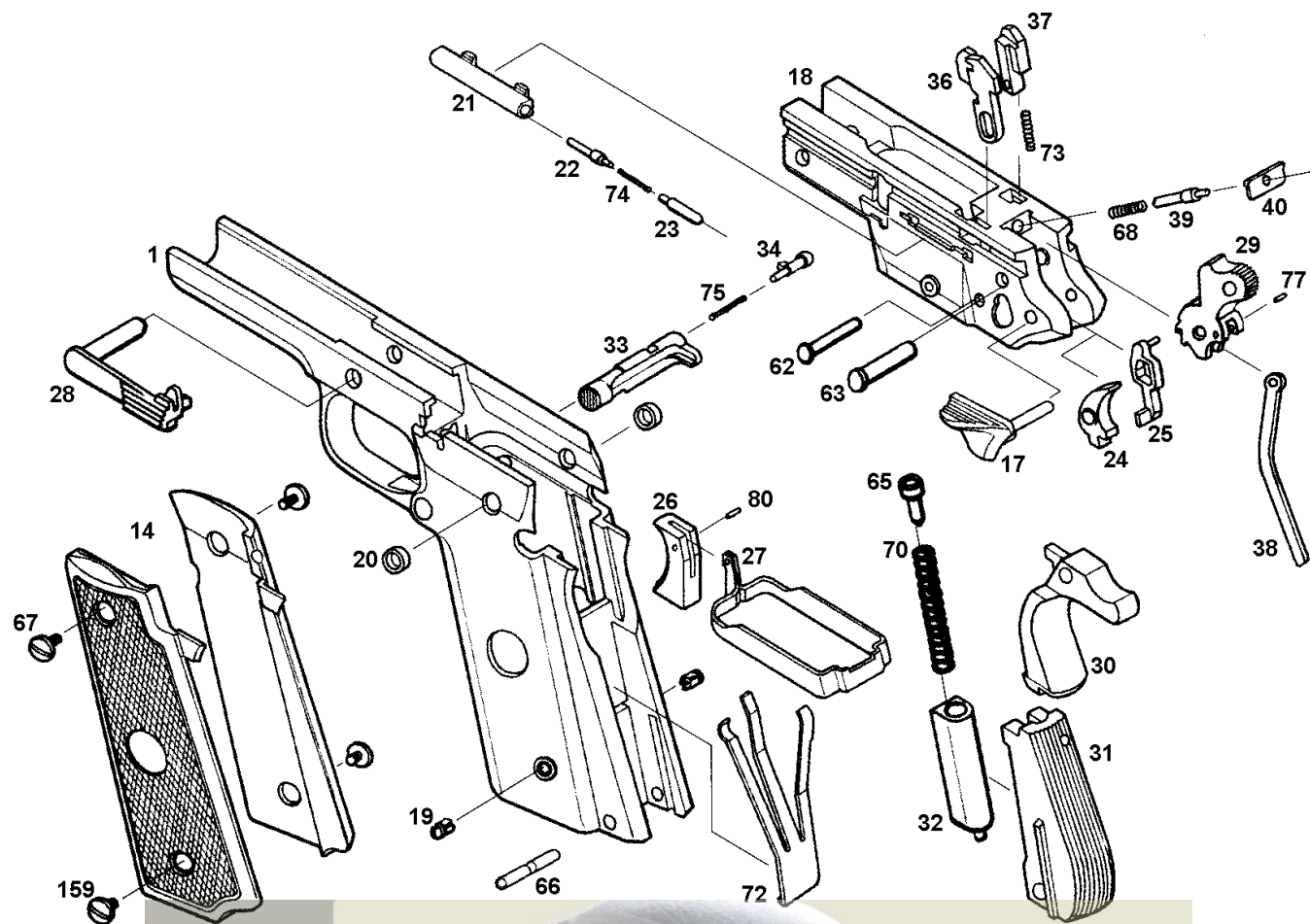


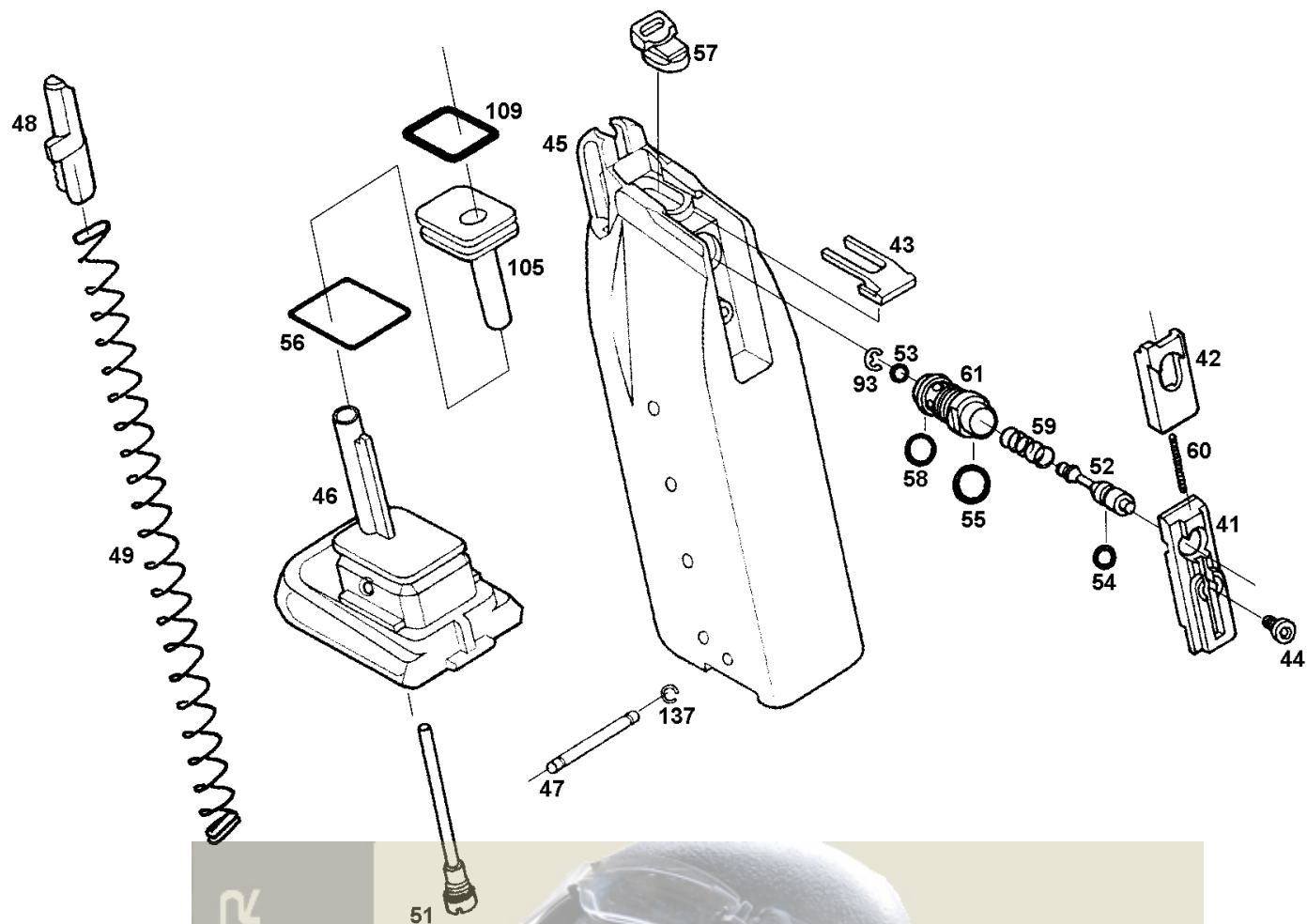
PARTS LIST FOR PARA-ORDNANCE P14-15 SERIESE



No.	parts No.	parts name	price(¥)	No.	parts No.	parts name	price(¥)
2	PO-AA-002	slide for P14	4,000	69	3069	HC recoil spring	400
	PO-AB-002	slide for P14 silver	4,000	71	SVA-071	loading nozzle spring	200
3	8003	barrel busing black	500	76	8476	WL link pin	100
	PO-AB-003	barrel busing silver	500	79	STD-426	rear sight screw M3x18	100
4	PO-AA-004	outer barrel for P14	2,000	80	STD-122	barrel lock pin 1.5 x 5	100
	PO-AB-004	outer barrel for P14 silver	1,800	82	STD-103	nozzle spring pin 1x 6	40
5	PO-AA-005	chamber cover for P14	900	83	SVK-083	floating valve	400
6	3205	barrel joint	500	84	SVC-084	loading nozzle	1,300
7	SVA-007	inner barrel guide	800	85	GMA-085	GM floating valve guide	700
8	SVA-008	barrel lock	400	88	STD-011	S-11.2	100
9	3509	custom GM plunger barrel	2,200	89	STD-144	floating valve guide pin 2x7	100
10	8210	normal chamber	700	90	8090	floating valve spring	300
11	STD-024	8x6x1	100	94	STD-441	front sight screw M2 x 5	100
12	8012	plug black	1,000	97	STD-221	adjust screw M3 x 4	100
	GMB-012	plug silver	1,000	98	8098	lower plunger	200
13	8013	recoil spring guide	400	99	9291	hop up rubber	200
514	3514	breech spacer	200	102	STD-023	7x5x1	100
15	WLG-015	GM breech	1,100	121	PO-AA-121	front sight for P14	600
16	PO-AA-016	rear sight for P14	600	122	3122	LTD barrel link	300
				128	SVM-128	WL buffer rubber	100
				928	3928	recoil spring guide washer	100



No.	parts No.	parts name	price(¥)	No.	parts No.	parts name	price(¥)
1	PO-AA-001	frame for P14 B	4,000	33	PO-AA-033	magazine catch	600
	PO-AB-001	frame for P14 silver	4,000	34	3034B	magazine catch lock B	200
	PO-AC-001	frame for P14 olive green	4,000	36	SVA-036	valve lock release	200
14	PO-AA-014	grip for P14	N/A	37	3037B	disconnect guide B	300
17	PO-AA-017	safety lever black	700	38	8038	hammer strut	200
	PO-AB-017	safety lever silver	700	39	SVA-039	firing pin	400
	PO-AC-017	safety lever olive green	700	40	8040	firing pin stopper	200
18	PO-AA-018	chassis for P14 black	3,000	62	8062	sear pin black	100
	PO-AB-018	chassis for P14 silver	3,000		GMB-062	sear pin silver	100
	PO-AC-018	chassis for P14 olive green	3,000		8262	sear pin PK	100
19	PO-AA-019	grip screw nut x 2 pcs	100	63	8063	hammer pin black	140
20	8020	grip screw sleeve x 2 pcs	100		GMB-063	hammer pin silver	140
21	8021	plunger guide black	500		8263	hammer pin PK	140
	PO-AB-021	plunger guide silver	500	65	8065C	CC main spring cap	200
	PO-AC-021	plunger guide olive green	500	66	8066	main spring housing pin black	140
22	8022	slide stop plunger	200		GMB-066	main spring housing pin silver	140
23	8023	safety plunger	200		8266	main spring housing pin PK	140
24	3024	Sear	300	67	PO-AA-067	P14 grip screw long blackx2	200
25	3025	disconnect bar	300		PO-AB-067	P14 grip screw long silverx2	200
26	PO-AA-026	P14 trigger	500	68	8068	firing pin spring	200
27	PO-AA-027	P14 trigger bar	500	70	8070	main spring	300
28	PO-AA-028	slide stop silver		72	SVM-072	sear spring	500
	PO-AB-028	slide stop sleeve silver		73	8073	disconnecting guide spring	100
	PO-AC-028	slide stop sleeve olive green		74	8074	plunger spring	100
29	PO-AA-029	ring hammer	800	75	3075	magazine catch spring	100
30	PO-AA-030	grip safety black	800	77	STD-143	hammer strut pin 2x6)	40
	PO-AB-030	grip safety silver	800	80	STD-122	trigger pin (1.5 x 5)	100
	PO-AC-030	grip safety olive green	800	159	PO-AA-159	P14 grip screw short blackx 2 pcs	200
31	8031	main spring housing	800		PO-AB-159	P14 grip screw short silver x 2 pcs	200
32	8032	retainer	400				



No.	parts No.	parts name	price(¥)	No.	parts No.	parts name	price(¥)
41	8641	impact guide	500	59	8659	impact spring	200
42	8642	impact lock	500	60	SVA-060	valve lock spring	100
43	8643	gas route guide	300	61	SVA-061	bore-up valve sleeve	900
44	8044	valve guide screw	100	93	STD-526	impact E ring 3	100
45	SVC-045	concealed magazine case	2,700	105	SVC-105	CC magazine plug	300
46	PO-AA-046	P14 magazine base	800	109	3109	plug packing	200
47	SVC-047	base pin (3.4x24)	100	137	SVC-137	base pin ring	100
48	3048	magazine follower	300				
49	3049	magazine spring	400	-	SVA-901	loader	400
51	8051	charging valve	700	-	SVA-902	loader rod head	100
52	SVA-052	bore-up valve	900	-	PO-AA-903	P14 loader rod	300
53	STD-003	S-4	100	-	PO-AA-904	P15 loader pipe	300
54	STD-021	5x3x1	100	-	STD-583	wrench 1.5 mm	100
55	STD-026	10x8x1	100	-	STD-584	wrench 2mm	100
56	3056	base packing	200	-	STD-586	wrench 3mm	100
57	SVA-057	gas route packing	200	-	8091	busing wrench	200
58	STD-006	S-7	100	-	8691	Impact wrench (extra)	300