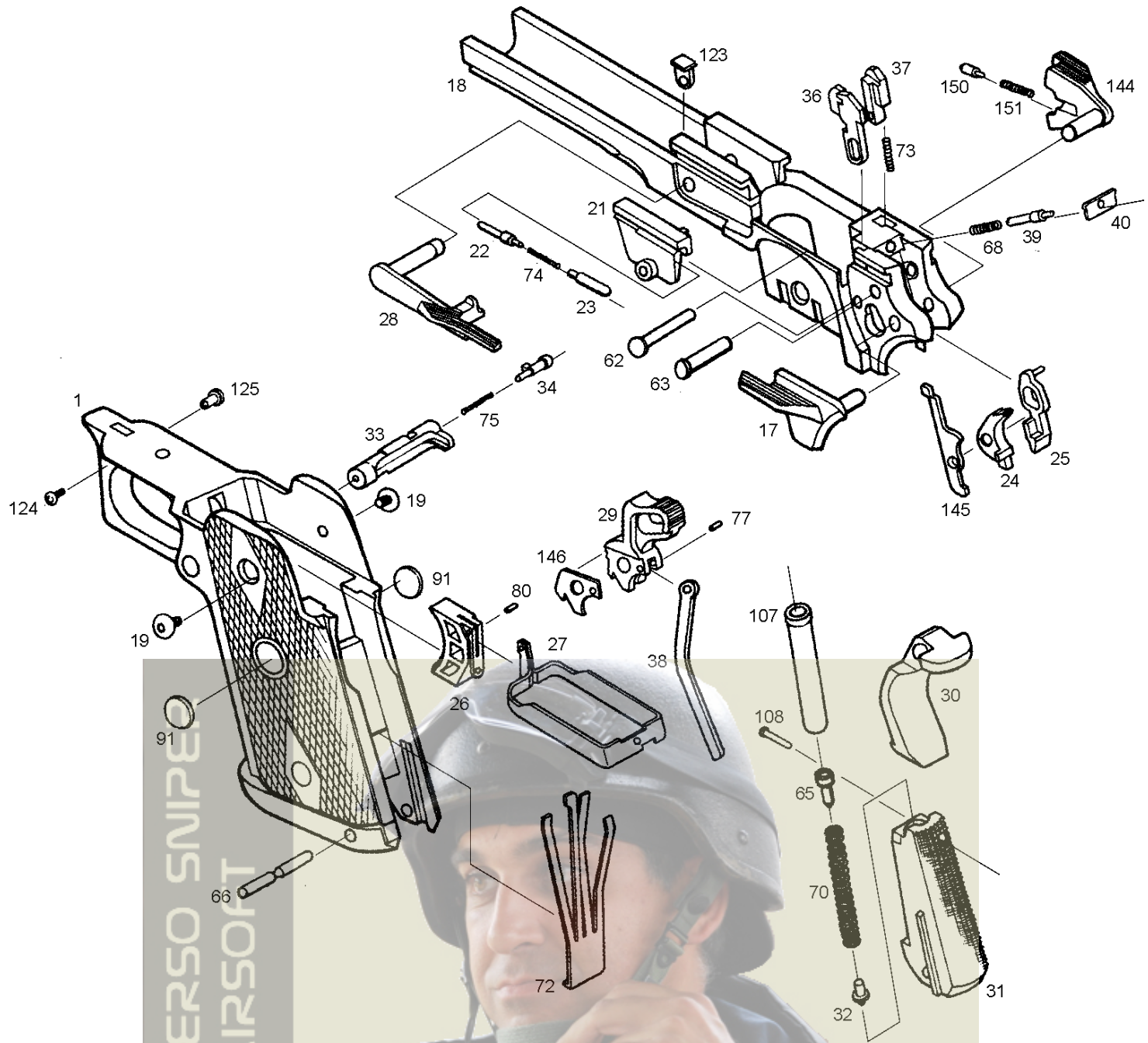
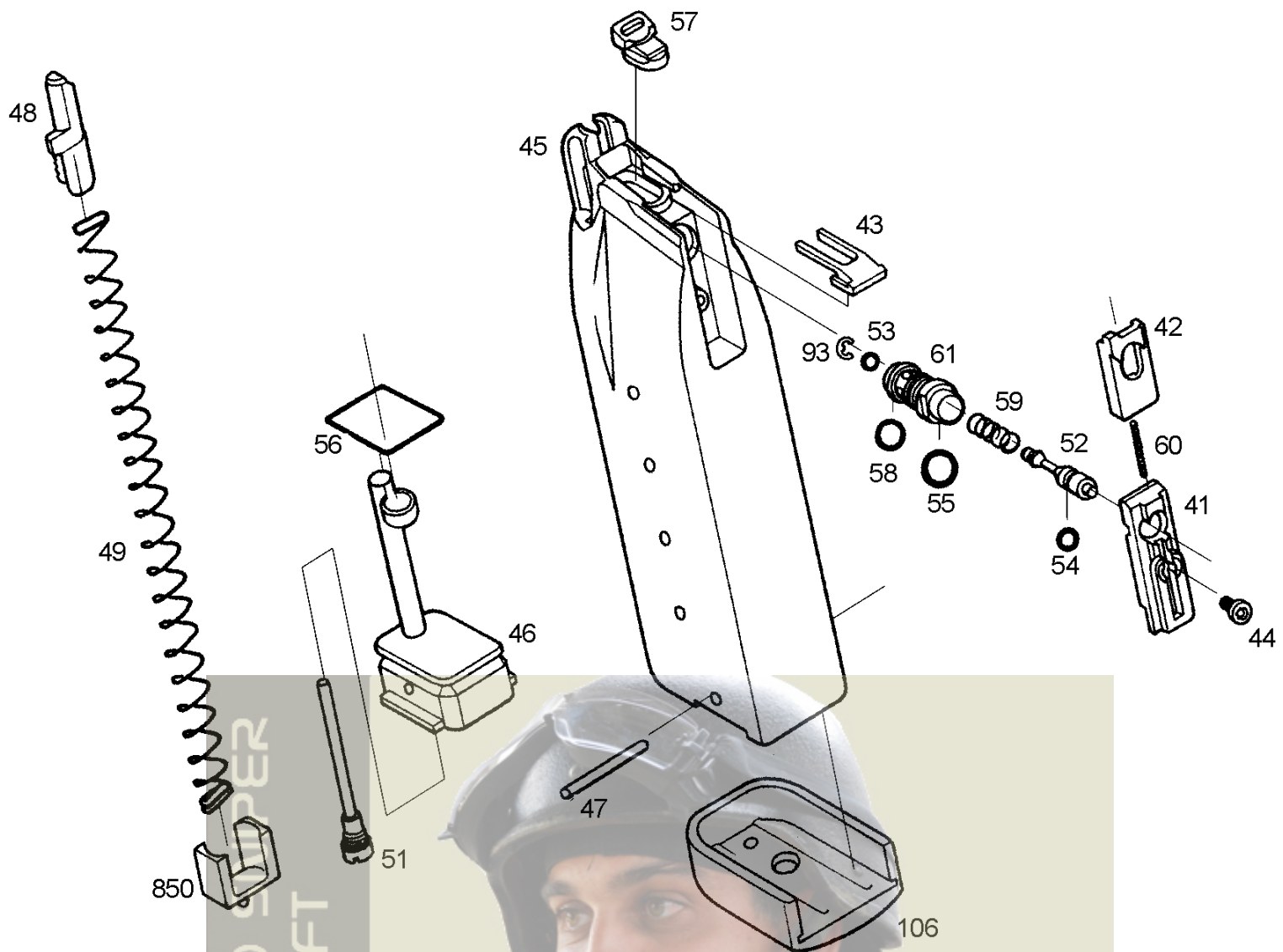


No	Parts No	Parts name	Price (¥)	No	Parts No	Parts name	Price (¥)
2	SVU-002	Slide for F3.9	4000	88	STD-011	O-ring S-11.2	100
4	SVU-154	SR corn barrel F3.9	2500	89	STD-144	Floating valve guide pin	100
5	SVV-005	Chamber cover	800	90	8090	Floating valve spring	300
7	SVA-007	New inner barrel guide	800	97	STD-211	Adjust screw M3x4	100
8	SVA-008	New barrel lock	400	98	5208	Hop plunger	200
9	SVU-009	Full-auto barrel	2500	99	9291	Hop up rubber	300
10	8210	Normal chamber	700	112	SVK-112	New novak's type sight	1000
11	STD-024	O-ring 8x6x1	100x2	120	STD-301	Novak' screw M2.5x8	100
12	SVU-012	F3.9 plug	1000	121	SVK-121	SV front sight	600
13	SVU-013	F3.9 recoil spring guide	1200	122	SVL-122	3.9 barrel link	300
15	SVK-015	Breech for fixed rear sight	1200	128	SVK-128	HS buffer rubber	100
69	SVC-069	CC recoil spring	500	133	SVU-133	F3.9 recoil spring guide lod	800
71	SVA-071	Loading nozzle spring	200	138	SVK-138	FV guide washer	100
76	8476	Barrel link pin 2x10	100	149	SVU-153	SR muzzle block	2200
80	STD-122	Barrel lock pin 1.5x5	100	152	SVU-152	HS buffer spring	200
82	STD-103	Nozzle spring pin 1x6	40	153	STD-242	Outer lock screw M4x6	100x2
83	SVK-083	Floating valve	400	154	STD-443	Muzzle block screw M4x10	200x2
84	SVC-084	Loading nozzle	1300	155	STD-156	O-ring 16x 1.5	100
85	SVC-085	Custom floating valve guide	700	156	SVU-155	F3.9 muzzle screw	1000



No	Parts No	Parts name	Price (¥)	No	Parts No	Parts name	Price (¥)
1	SVU-001	F3.9 grip frame	1900	62	SVU-062	Sear pin	200
17	SVU-017	Custom safety	1000	63	8463	WL hammer pin B	140
18	SVU-018	5inch railed chassis	4000	65	3065	Cap	200
19	3019B	Grip screw LB	200x2	66	3066B	Main spring housing pin B	140
21	3021B	Plunger guide B	300	68	8068	Firing spring pin	20
22	3022	Slide stop plunger	200	70	3070	Main spring	300
23	8023	Safety plunger	200	72	SVU-072	Sear spring	600
24	SVU-024	Sear	300	73	8073	Disconnecting guide spring	100
25	SVU-025	Disconnecting bar	300	74	SVA-074	Plunger spring	100
26	3026	Trigger	400	75	3075	Magazine catch spring	100
27	SVM-027	Trigger bar	500	77	STD-145	Hammer strut pin 2x8	100
28	SVU-028	Extended slide stop	800	80	STD-122	Trigger pin 1.5x5	100
29	SVU-029	Hammer	1000	91	SVA-091	Medallion seal	N/A
30	SVU-030	Grip safety	800	107	3107	Cap sleeve	400
31	3031	Main spring housing	500	108	3108	Cap sleeve pin	100
32	3032	Retainer	200	123	3123	Under rug	200
33	SVA-033	Magazine catch	600	124	3124B	Trigger guard screw B	200
34	3034B	Magazine catch lock B	200	125	3125B	Trigger guard screw sleeve B	20
36	SVA-036	Valve lock release	200	144	SVU-144	Selector	800
37	3037B	Disconnecting guide	300	145	SVU-145	Full-auto sear	200
38	8038	Hammer strut	200	146	SVU-146	Sear plate	200
39	SVA-039	Firing pin	400	150	SVU-150	Selector plunger	200

40	8040	Firing pin stopper	200	151	SVU-151	Selector spring	100
----	------	--------------------	-----	-----	---------	-----------------	-----



No	Parts No	Parts name	Price (¥)	No	Parts No	Parts name	Price (¥)
41	8641	Impact guide	500	59	8659	Impact spring	200
42	8642	Impact lock	500	60	SVA-060	Valve lock spring	100
43	8643	Gas route guide	300	61	SVA-061	Bore up valve sleeve	900
44	8044	Valve guide screw	100	93	STD-526	Impact E-ring 3	100
45	3045B	Magazine case B	2700	850	SVU-850	Bumper retainer	100
56	3046	Magazine base	500	106	SVA-106	Compact magazine bumper	500
67	3047	Base pin	100	-	SVA-901	Loader	400
48	SVU-048	Magazine follower	300	-	SVA-902	Loader rod head	100
49	3049	Magazine spring	400	-	SVA-903	Loader rod	300
51	8051	Charge valve	700	-	SVA-904	Loader pipe	300
52	SVA-052	Bore up valve	900	-	SVU-147	1.5mm wrench	100
53	STD-003	S-4 valve O-ring	100	-	STD-585	2.5mm wrench	100
54	STD-021	5x3x1 valve O-ring	100	-	8691	Impact wrench	200
55	STD-026	10x8x1 sleeve O-ring	100	-	STD-580	3mm wrench	100
56	3056	Base packing	200				
57	SVA-057	Gas route packing	200				
58	STD-006	S-7 sleeve O-ring	100				

