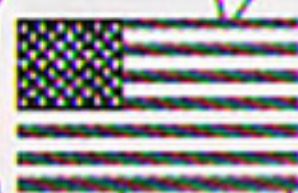
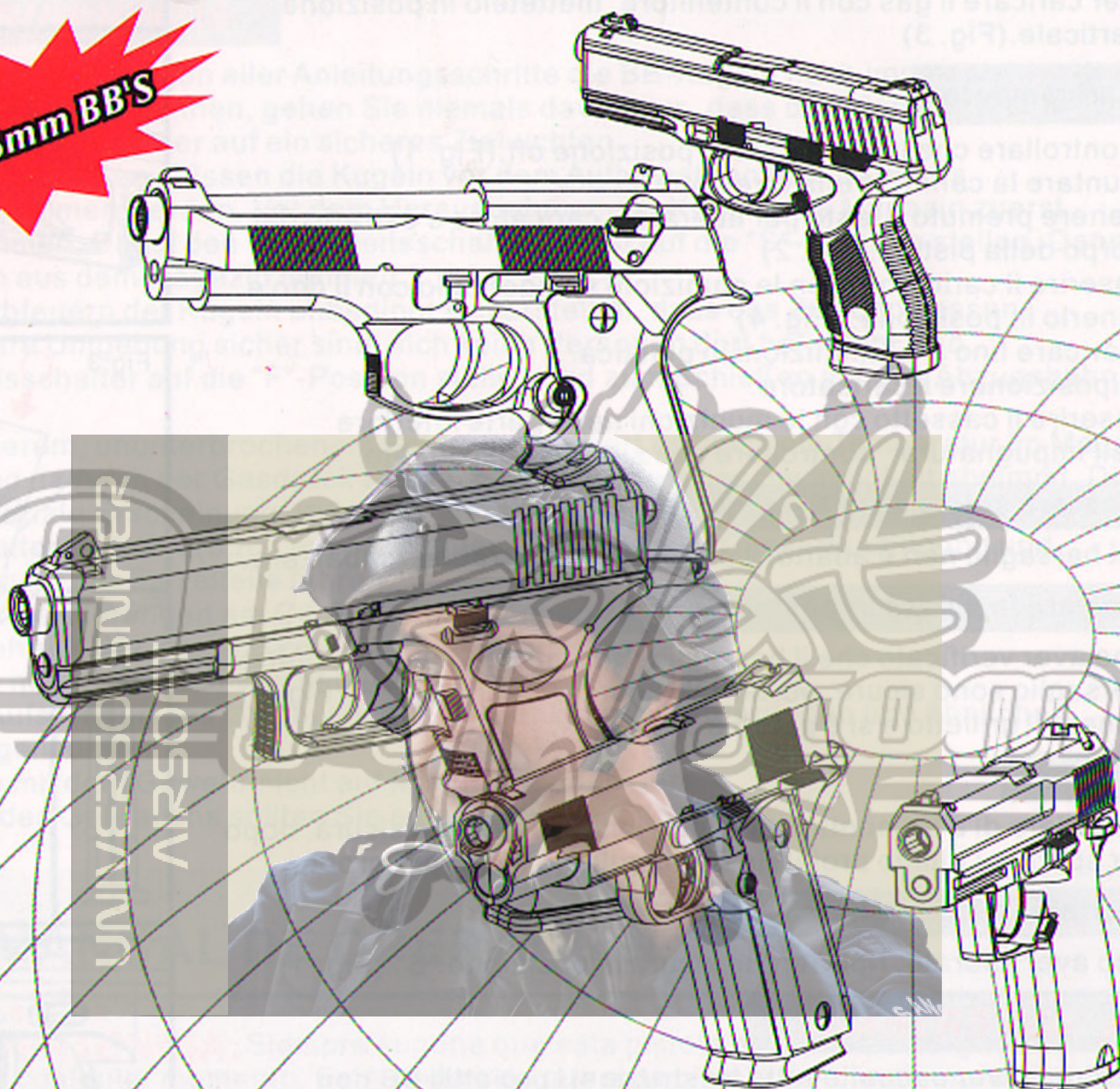


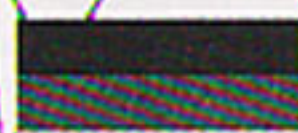
WG 1 GAS Series

BB FIREARM WG-1 SERIES

Cal. 6mm BB'S



Not a toy. Adult supervision required. Misuse or careless use may cause serious injury or death read and follow it carefully. All instructions before using. This is a high power air gun recommended for use by those 16 years of age or older.



Dieses Produkt ist ein Luftgewehr mit hoher Leistung für Benutzer ab 16 Jahre. Es ist kein Werkzeug. Die Benutzung dieses Luftgewehrs entsprechend kontrollieren. Eine willkürliche oder achtungslose Benutzung kann zu ernsthaften Körperverletzungen oder gar zu Tod führen. Es ist wichtig, die Anleitung zu lesen und zu beachten.



Este producto se trata de una pistola de aire de alto rendimiento que viene diseñada para personas de 16 años de edad o mayores; no es una herramienta y se le ruega tener apropiado control de uso de la misma; el uso caprichoso o sin cuidado de ella causaría lástimas severas o muertes; es esencial leer detenidamente y cumplir con las instrucciones.



Questo prodotto è una pistola a aria compressa con prestazioni molto elevate, destinata a utilizzatori che abbiano più di 16 anni; non è un utensile, deve essere utilizzata con cautela, un uso improprio può causare ferite gravi e portare alla morte; è necessario leggere attentamente le istruzioni e osservarle.



OPERATION MANUAL

WARNING: Be sure gun is always pointed in safe direction never point the gun at anyone. Always assume and treat the gun as if it were loaded and ready to fire.

WARNING: Never store a loaded gun. At the end of a shooting session. As a safety precaution, always put "on" safety "S" position.

WARNING: Empty magazine shooting perhaps shorten gun life.

Learning the Parts of Your New Soft Air Pistol

Learning the Parts of Your New Soft Air Pistol Learning the names of the parts of your new soft air pistol will help you to understand your owner's manual. Use this manual to increase your enjoyment of this soft air pistol.

Push down the Safety Button to "S" Position

WARNING: Keep the pistol in the "ON SAFE" position until you are actually ready to shoot.

Push down the safety button to "S" position (Safety on see Fig. 1) The trigger cannot be pulled to fire the gun in this position.

Gas injection

WARNING: The most optimal fire rate is an interval of 2 seconds. Too fast firing freezes the air cooled chamber. It is strongly recommended to fire at the indoor temperature ranging from 20°C to 35°C.

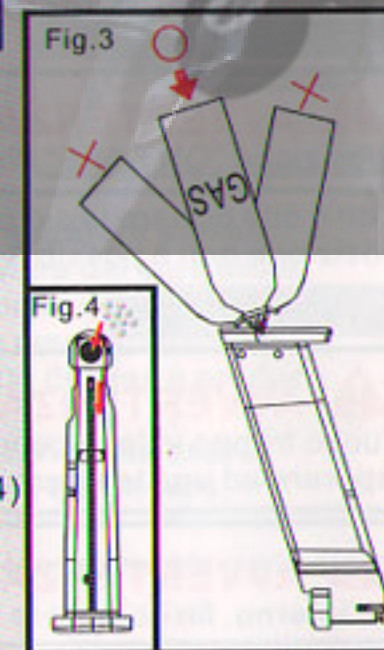
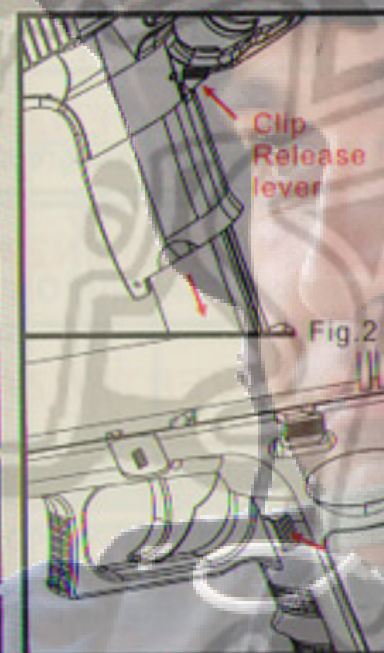
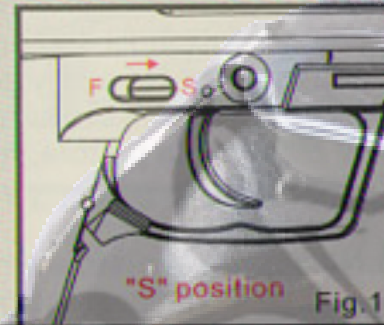
WARNING: If the outside temperature is too low, use it indoors.

WARNING: It is recommended that the gas pressure shall be maintained at 6-10kg.

1. Always point gun in a safe direction. Push down the safety button to "S" position. (Fig. 1)
2. Press the clip release button and remove the clip from the bottom of the grip frame. (Fig. 2)
3. To refill the gas with the gas container in vertical position. (Fig. 3)

Loading BB's

1. Make sure the pistol is "ON SAFE" "S" position. (Fig. 1)
2. Point the pistol in a SAFE DIRECTION.
3. Press the clip release button and remove the clip from the bottom of the grip frame. (Fig. 2)
4. Pull the BB guide down to the bottom and hold on the guide. (Fig. 4)
5. Insert up to 17 BB's into the magazine.
6. Release the BB guide.
7. Insert the loaded clip back into the bottom of the grip frame until you hear a click indicating the clip is security locked into place.



Aim at a Safe Target

Use extra precaution in selecting a safe target. Improper targets may cause ricochet.

Take "off" safety- position safety on "F"

When you are certain that the target, back-stop and surrounding area is safe, position the safety "F" (Fig. 5) pulling the trigger now will fire the gun.

Fire

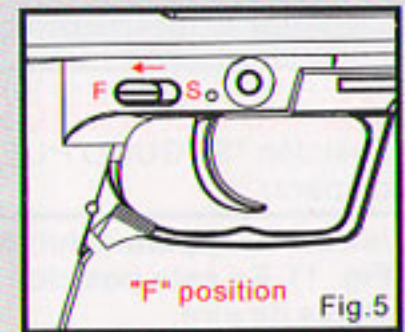
Make sure the gun is pointed at a safe target. Once the last BB has been shot from the gun, it is still possible for the trigger to be pulled.

Put "ON" safety- on "S" position

After firing, return the safety to the "ON" position on "S" position. (Fig. 1)

WARNING

1. If a BB does not fire after completing the operation steps, do not assume that the gun is unloaded. Keep the gun pointed in a safe direction.
2. After a shooting is complete, the gun should be unloaded before storing it. To unload the gun always put "ON" safe "S" position, remove the BB's From the magazine.
3. The maximum operating or storage temperatures can easily be reached if the gun is left directly in the sun on a bright, sunny day. Therefore the shooter should not expose the pistol to high temperature conditions or direct sunlight for any extended period of time. Do not place the gun and gas in environment over 40°C.
4. After a long and continued firing practice, the low temperature of the magazine will cause a reduced gas pressure as well as the low velocity of bullet. It is a normal condition, not a trouble. Never practice the reverse firing for this action renders the gas hardness to volatilize and to produce the atomized gas of ejection which leads the damaged to the parts.
5. Any change to the structure of the gun may cause inability to operate normally and further dangers. Please do not try it.
6. Do not point the gun at any fragile objects during use.
7. Direct spray of gas on human body may cause frostbite or similar injuries.
8. Do not point the gun at humans or animals.
9. Wear safety glasses during use.



BEDIENUNGSANLEITUNG

WARNHINWEIS: Nehmen Sie immer an, dass das Luftgewehr geladen ist und mit ihm jederzeit geschossen werden kann. Stellen Sie immer sicher, dass das Luftgewehr in eine sichere und ungefährliche Richtung gerichtet ist.

WARNHINWEIS: Aus Sicherheitsgründen stellen Sie den Sicherheitsschalter nach jedem Schießen auf die Position "SAFETY ON" ("S").

WARNHINWEIS: Das Leeren des Magazins kann die Nutzungsdauer des Gewehrs verkürzen.

Werden Sie mit den Einzelteilen des Luftgewehrs vertraut.

Werden Sie mit den Einzelteilen des Luftgewehrs vertraut. Durch das Erlernen der Bezeichnungen der Einzelteile dieses Weichluftgewehrs werden Sie ein besseres Verständnis der Benutzeranleitung haben. Beachten Sie diese Benutzeranleitung, um den besten Nutzen aus diesem Luftgewehr ziehen zu können.