



G&G ARMAMENT
AIRSOFT GUNS & ACCESSORIES

X-TREME 45

CO2 Full Metal BBs Pistol

**INSTRUCTION
MANUAL**

Model No:CO2-XTR-PST



G&G ARMAMENT
AIRSOFT GUNS & ACCESSORIES

DEALER

G&G ARMAMENT Made in Taiwan Since 1986

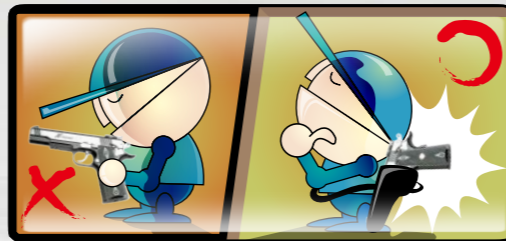
www.guay2.com
Sales department: b2b@guay2.com
Support department : support@guay2.com
Tel:+886-2-2692-2000 Fax: +886-2-2692-4000
Address:11F-3,No.27, Lane 169,Kangning St. Shijr City , Taipei County
221, Taiwan

WWW.GUAY2.COM 100% MADE IN TAIWAN MANUFACTURED BY G&G ARMAMENT



◀ You may be liable for damaging public or personal property or for injuring a person or an animal even if you only meant to shoot as a "practical joke." Always observe good manners and enjoy fun sport shooting.

When you carry the air gun, attach the safety cap, set the selector lever to the safety position and always put the air gun in a case or bag. ▶



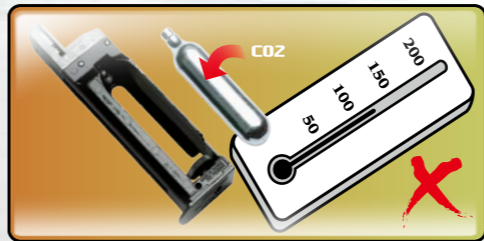
◀ Never direct the muzzle towards a person, animal or in any direction. That may cause harm or damage to the third party.

Always keep finger off the trigger until ready to fire. Make sure the muzzle is pointing in a safe direction. ▶



◀ Safety procedures:
1. Set the selector lever to the safety position.
2. Remove the magazine.
3. Remove the CO2 cartridge.

Select a safe place for operating the air gun, avoid places where people and cars are around. ▶



◀ CO2 cartridges may explode at temperatures above 120°F (48.9°C). Do not mutilate or incinerate them. Do not expose them to heat or store CO2 cartridges at temperatures above 120°F (48.9°C).

Activating the trigger carelessly is extremely dangerous. Never put your finger on the trigger unless the safety cap is removed and you are ready to shoot a target. ▶



◀ When shooting the air guns for target practice or in a game situation, you and all participants must wear safety goggles or other eye protective gear. Also, pay attention to ricochets. It is very important to pay attention to third parties other than the participants.

After firing, return the safety to Safe mode, remove the CO2 cartridge and store the air gun in a case or bag and at a place that is out of reach by children. ▶



◀ There may be cases where some BB's remain in the gun after the magazine has been removed. After removal of the magazine, direct the muzzle towards a safe direction and pull the trigger to confirm that there are no BB's remain in the gun, then attach the safety cap.

Disassembling or modifying the gun may adversely affect the performance and make it dangerous. "It may be against the Law." ▶



1

Learning the Parts of Your New CO2 Pistol



Learning the Parts of Your New CO2 Pistol
Learning the names of the parts of new CO2 Pistol will help you to understand all of the operation. Use this manual to increase your pleasure of CO2 pistol

2

Insert 12gm CO2 Cartridge

⚠ WARNING : Turn the Safety Level Selector to "S" Position. Keep the Selector on Safe mode until you are actually ready to shoot.



⚠ Turn to Safe mode



1. Press the Clip Release Button.
2. Pull the Magazine.

⚠ WARNING: CO2 cartridges may explode at temperatures above 120°F (48.9°C). Do not mutilate or incinerate them. Do not expose them to heat or store CO2 cartridges at temperatures above 120°F (48.9°C).

⚠ WARNING: Keep hands and face away from escaping CO2 gas. It can cause frostbite if allowed to come in contact with skin.



12gm CO2 Cartridge



2-3

Turn puncture screw clockwise until there is enough room to insert a CO2 cartridge.



2-4

Insert the CO2 cartridge into the magazine, first placing the larger end of the CO2 cartridge into the lower portion of the Magazine



2-5

With muzzle pointed in a safe direction, turn puncture screw counterclockwise to puncture the CO2 cartridge continue turning rapidly until finger tight.



3-1

1. Pull the BB guide down to the bottom and hold on the guide.
2. Insert up to 16pcs BB's into the magazine for 6mm version.
3. Release the BB guide.

3 Loading BB's

4

Shooting



3-2

Insert the loaded clip back into the bottom of the grip frame until you hear a click indicating the clip is secure locked into place.



4-1

Turn the Safety Level Selector to fire mode



4-2

Safety caution:
 Always keep finger off the Trigger until ready to fire. Make sure the Muzzle is pointing in a safe direction.

Pull slide backwards and release the slide. This will automatically load the first BBs.



4-3

Hammer down

READY TO FIRE

1. Make sure the gun is pointed at a safe target. Once the last BB has been shot from the gun, it is still possible for the trigger to be pulled, but only CO2 will be discharged.
 2. After firing, return the safety to "S" position.

Rear Sight Adjustment (Patent Pending)

The Rear Sight turn right or turn left adjustment



The Rear Sight turn up or turn down adjustment



ADJUSTABLE
REAR SIGHT

12gm CO2 Cartridge only



(Patent Pending)

WARNING

- 1.If a BB does not fire after completing the operation steps, do not assume that the gun is unloaded. Keep the gun pointed in a safe direction.
- 2.After a shooting is complete, the gun should be unloaded before storing it. To unload the gun always put on safe mode, remove the CO2 cartridge, and remove the BB's From the magazine.
- 3.High temperatures can produce pressure in the CO2 cartridge and gun that is considerably higher than normal operating pressure. Such increased pressure may prevent the pistol from firing and may result in permanent damage to the gun. The maximum operating or storage temperatures can easily be reached if the gun is left directly exposed to the sun on a bright, sunny day. Therefore the user should not expose the pistol to high temperature conditions or direct sunlight for any extended period of time.
- 4.Rapid firing of the gun will cause temperature reduction in the pistol and CO2 gas. This will result lower BB velocities and may even lower the gas pressure causing that the pistol not to fire. This condition can be avoided by allowing more intervals between shots. This permits the gas to increase in temperature and pressure, and produce normal velocities.
- 5.Care should be exercised to ensure that the gun is not shot with a CO2 cartridge that is low in pressure because a BB may not be expelled from the barrel.
- 6.A CO2 cartridge contains gas under pressure, whether or not it has been inserted into a gun. If exposed to high temperatures (such as inside of a closed car with direct sunlight), it could explode. Be sure to store all cartridge in a cool place.

Turn to Normal



Turn to Hop



Hop-Up Adjustment



ADJUSTABLE
HOP UP

Too much Hop-up
(turn the lever toward Hop)

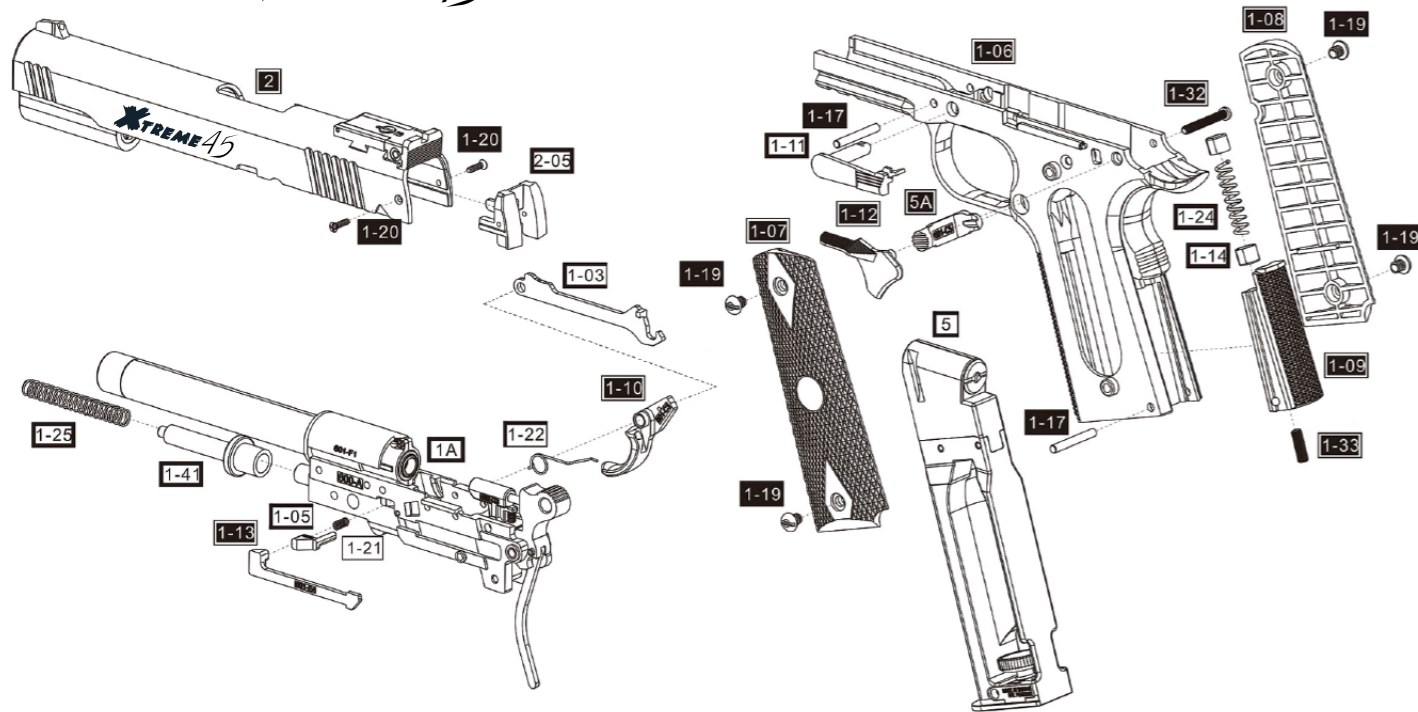
Wrong

Right
best position

Not enough Hop-up
(turn the lever toward Hop)

Wrong

XTREME45 Explode



Xtreme 45 part list

Part No	Model No	Unit	Part No	Model No	Unit
1-03N	M63:CG600-5	1	1-20	M20:F2080T3E0	2
1-05	CG600-W6-Q4	1	1-21	M41:SCG600-1	1
1-06	SCG601-W6-A SCG601-W1-AA	1	1-22	M43:CG600-6	1
1-07	SCG601-W1-D1	1	1-24	M41:C600-E	1
1-08	SCG601-W1-D2	1	1-25	M41:CG601-3	1
1-09	SCG-601-W6-E1	1	1-32	M20:P302226IS0	1
1-10	SCG601-W6-C3	1	1-33	M20:M40120	1
1-11	CG601-W6-F4	1	1-41	SCG601-W6-E3	1
1-12	SCG601-W6-C4	1	2-05	CG601-W6-H4	1
1-13	SCG601-W6-E4	1	1A	CG601-W85-1A	1
1-14	CG600-W6-Q5	2	2	SCG601-W85-2	1
1-17	M10:30230FRB	1	5	C6600-W85-5	1
1-18	M10:30255FRB	1	5A	SCG601-W85-5A	1
1-19	M20:P4055TP3B	4			

You can buy all parts from G&G Technology support Dept.

E-mail: support@guay2.com



G&G ARMAMENT
AIRSOFT GUNS & ACCESSORIES

2008 Hot Release Airsoft Rifle



G3S1S SERIES

GR16 R4 COMMANDO



G&G ARMAMENT
AIRSOFT GUNS & ACCESSORIES



AIMS

AKMS



A5 RETRACTABLE Ver.