

GAS GUN SERIES 瓦斯槍系列產品

Instruction Manual 使用說明書

Please read this instruction manual carefully before using.

使用前請詳閱說明書

For users over 18 years of age.

本產品適用年齡18歲以上

6mm BB bullets ONLY

限用6mm BB彈



SPECIFICATIONS<規格>

Caliber<口徑>: 6mm

Length<總長度>: 220mm

Height<總高度>:

Weight Unload<重量>: 380g

Magazine Capacity<裝彈量>: 26 shots

Materials<材質>: Anti-impact ABS, Metal Parts & Zinc Alloy

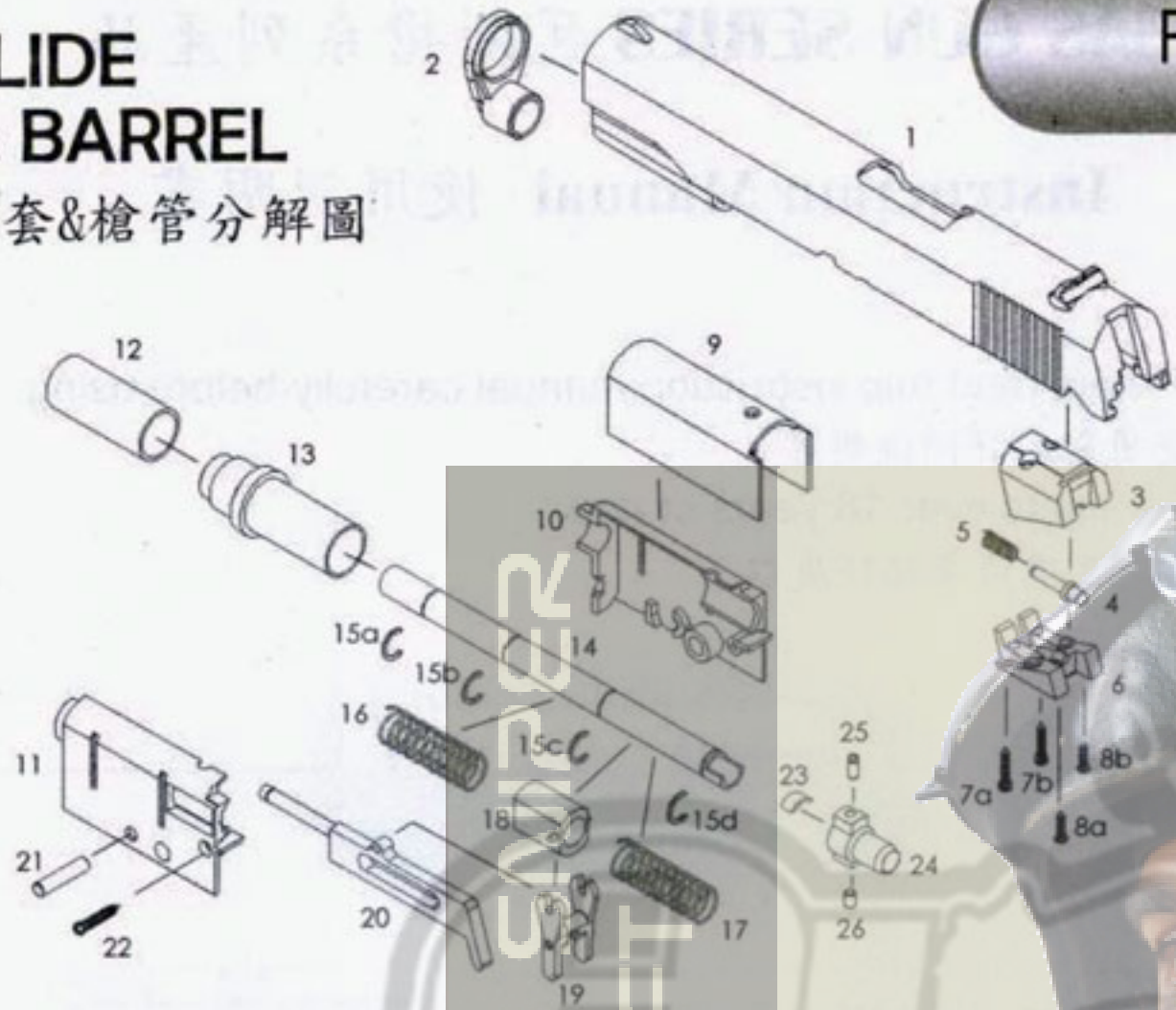
FIXED-SLIDE MODEL 固定式滑套

Recommended using with 0.2g BB bullets

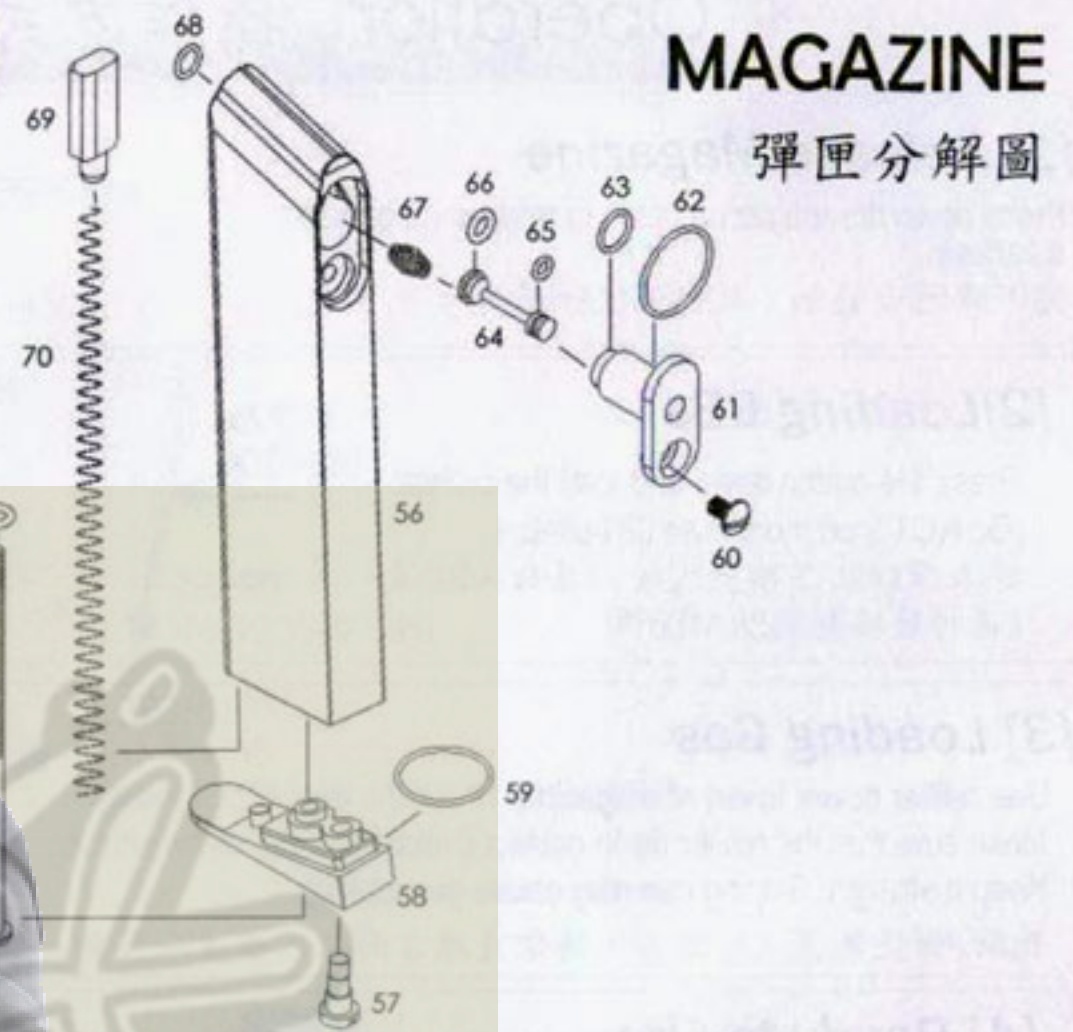
推薦使用0.2g BB彈

SLIDE & BARREL

滑套&槍管分解圖

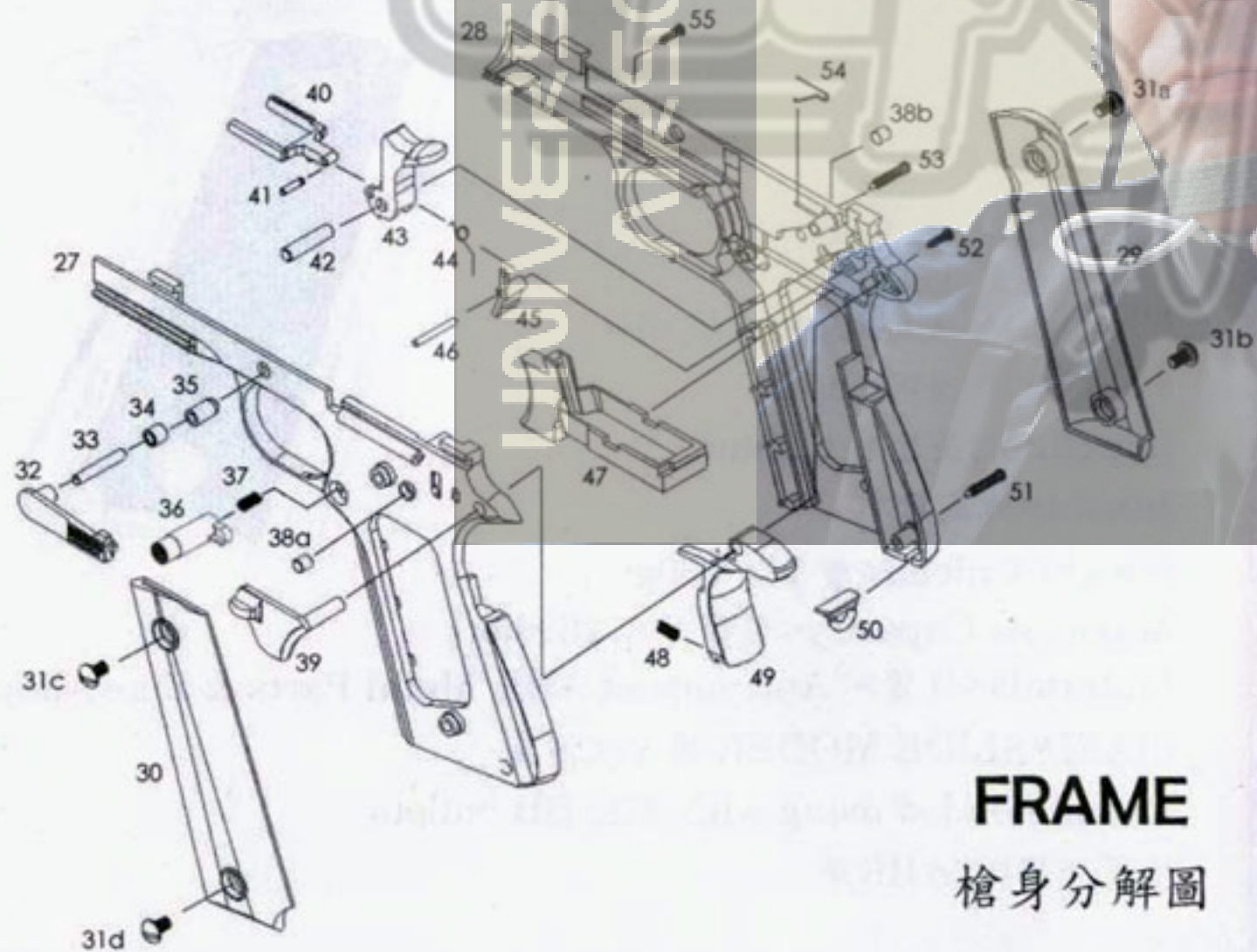


PARTS 零件圖



MAGAZINE

彈匣分解圖



FRAME

槍身分解圖

Disassemble or modification of any parts of the gun is prohibited.

請勿任意拆解改造槍，這是違法的行為

Warning 注意事項

- Never shoot the gun towards a person or animal. (請勿將槍射向人或動物)
- Always wear goggles when operating the gun. (操作時請佩戴防護鏡)
- Never look into the muzzle. (請勿由槍口往內探看)
- Select a safe place to shoot a gun. (選擇適當安全的地方射擊)
- Even if a magazine is disconnected, a BB may still be inside the gun. (請注意，未裝上彈匣時，仍有可能有BB彈留在槍內)
- Keep away from children. (請放在嬰幼兒無法取得的地方)
- Keep the gas can and the charged magazine far way from fire or high temperature. (請將瓦斯罐或灌過瓦斯的彈匣遠離火源，勿置放於高溫處導致爆炸)
- Do not use BB bullets in bad quality (out of shape, deckle edge, or breakage), it may cause bullet jam or malfunction. (請勿使用品質不良(變形、毛邊、破損)的BB彈，容易造成卡彈或故障)

Operation 操作方式

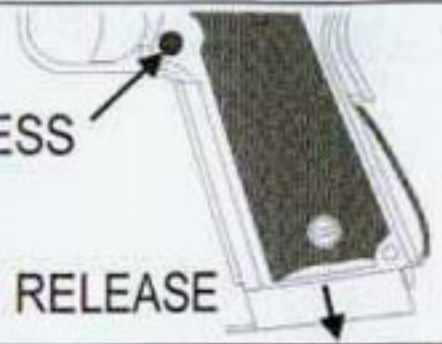
[1] Release Magazine

Press down the magazine catch to release magazine as shown.

按下彈匣卡筍鈕，取出彈匣如圖所示。

按下 PRESS

取出 RELEASE



[2] Loading BBs

Press the button down and load the bullets. (Do NOT load more than 26 bullets.)

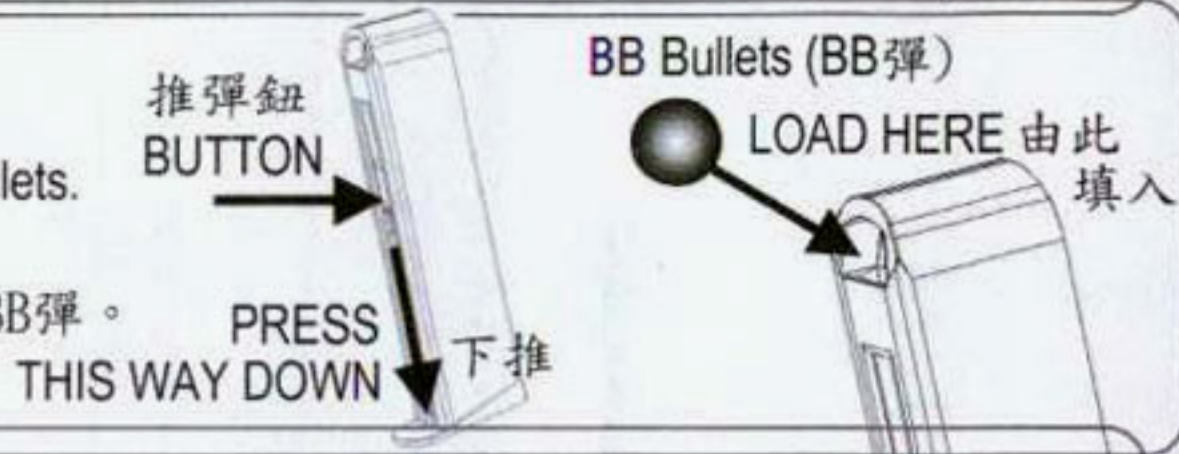
將推彈鈕往下推至底端，並放入BB彈。
(請勿裝填超過26顆BB彈)

推彈鈕
BUTTON

PRESS
THIS WAY DOWN
下推

BB Bullets (BB彈)

LOAD HERE 由此填入



[3] Loading Gas

Gas refiller down/ Invert of magazine. Press the gas refiller shortly. Make sure that the refiller fits in correct direction as the arrow shown. Keep it straight. Sloping can may cause gas leaking.

瓦斯/彈匣倒置，如右圖，請依直線方向往下壓灌入瓦斯。

FILL HERE
由此灌入

勿傾斜



[4] Ready to Fire

Push back the magazine first. 首先裝上彈匣。
Push the grip safety button forward(1) and then press the trigger(2) to fire.

按住握把保險，然後扣下板機擊發。

PRESS (2)
扣板機

(1)
HOLD
壓住

PUSH BACK 裝入



[5] Empty Gas

Press down the valve button to empty gas. (For safety reason, empty the gas when it's not being operated.)

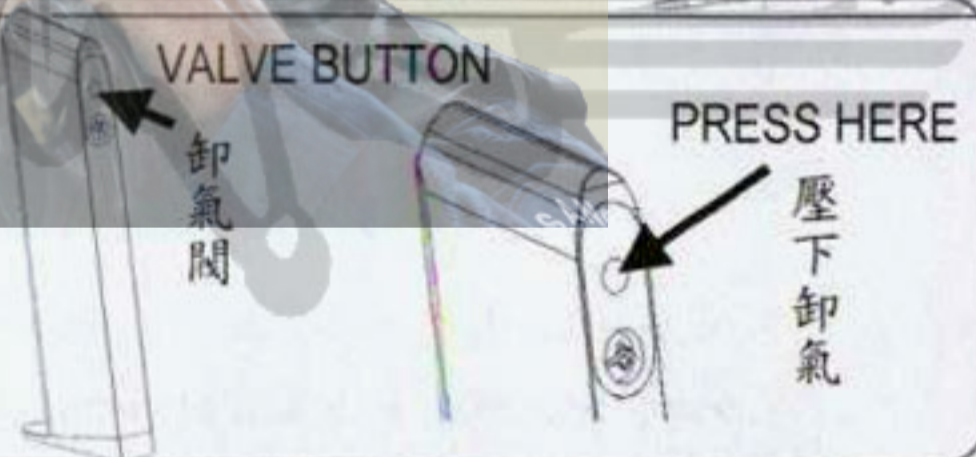
壓卸氣閥可釋放瓦斯。(為了安全起見，不使用時，請將瓦斯氣體卸光。)

VALVE BUTTON

卸氣閥

PRESS HERE

壓下卸氣

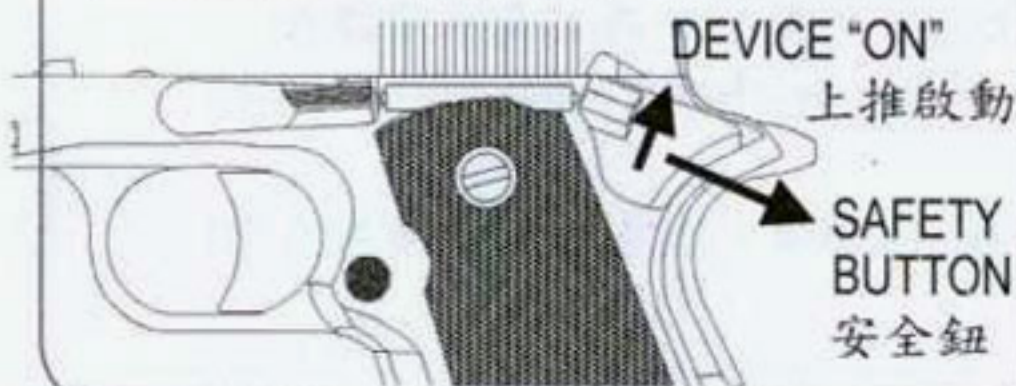


[6] Safety Device

Turn the safety button to "UP" position to lock the trigger. 將安全鈕往上推，即可鎖住板機，啟動安全裝置。
(DOWN position to unlock.) 下推解除裝置。

DEVICE "ON"
上推啟動

SAFETY
BUTTON
安全鈕



[7] Hop-Up System

Use the hexangular spanner(1.5mm diametrically) to adjust HOP-UP function. (fine-tuning)
使用附贈的六角扳手(1.5mm直徑)調整。
(需要時請微調，請勿過度調整。)

Turn the spanner "clockwise" as the arrow shown. (Bullets go "UP")
順時針轉 (彈道往上)

調整此處 ADJUST HERE

