

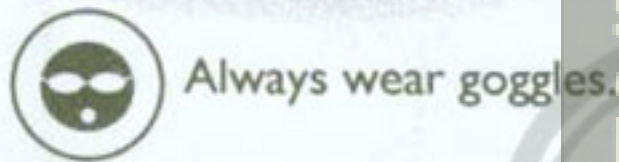
GAS GUN SERIES

2107

HEAVY WEIGHT MODEL

: Read instruction manual carefully before using :

Warning



Never shoot the gun towards a person or animal.



Never disassemble or modify the gun.



Even if a magazine is disconnected, a BB may still be inside the gun.



Never look into the muzzle.



Select a safe place to shoot a gun.



Keep away from children.

[NON-BLOWBACK]

[1:1 SCALE]

[Caliber: 6 mm]

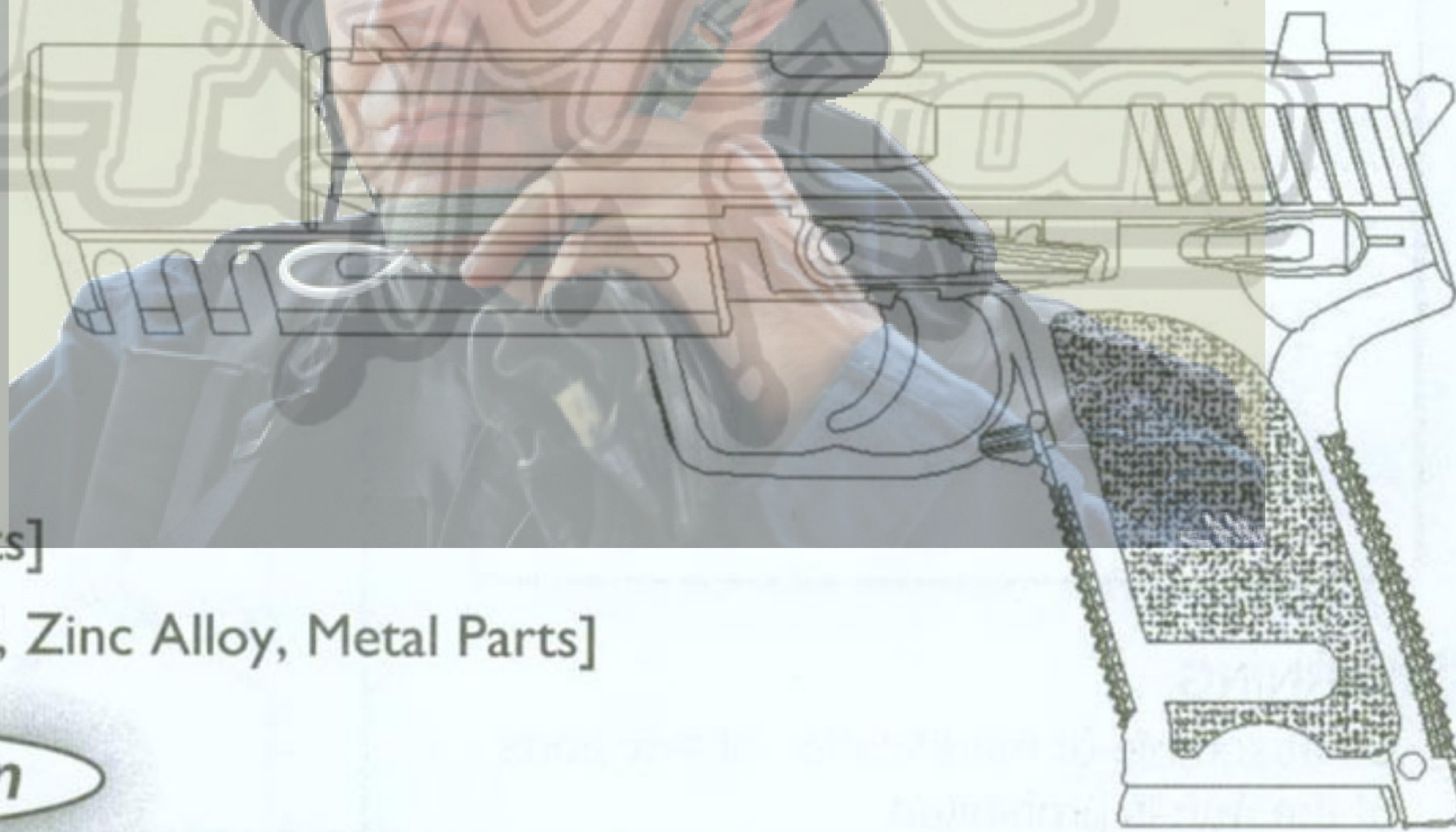
[Length: 250 mm]

[Weight Unload: 658 g]

[Magazine Capacity: 26 shots]

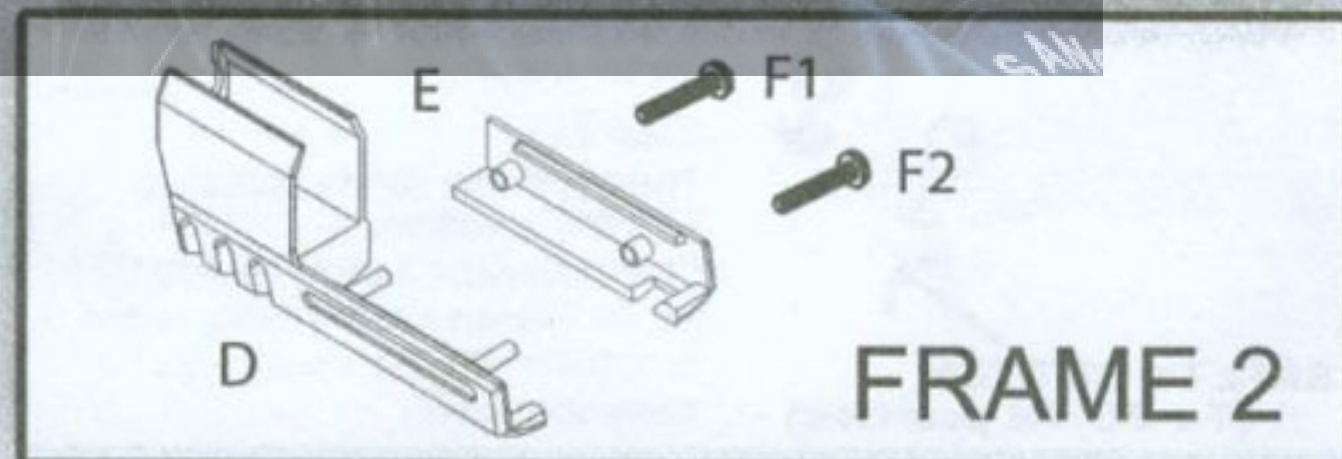
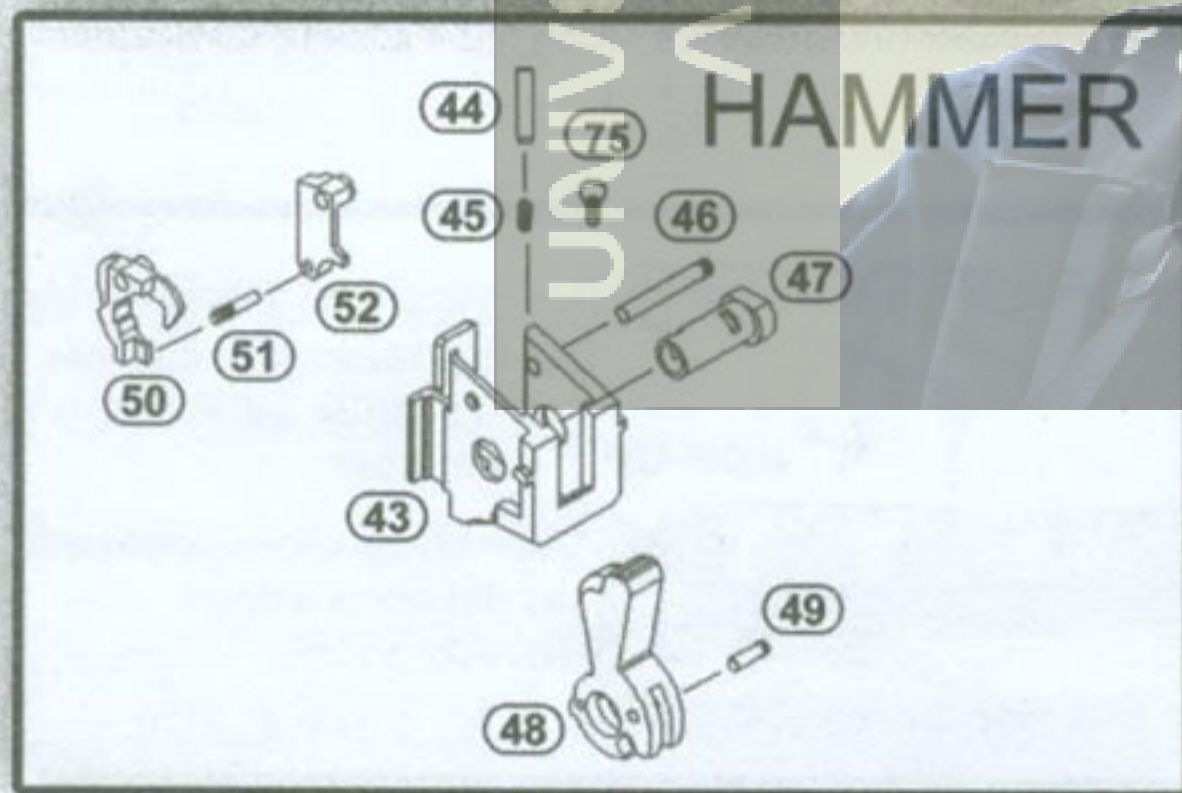
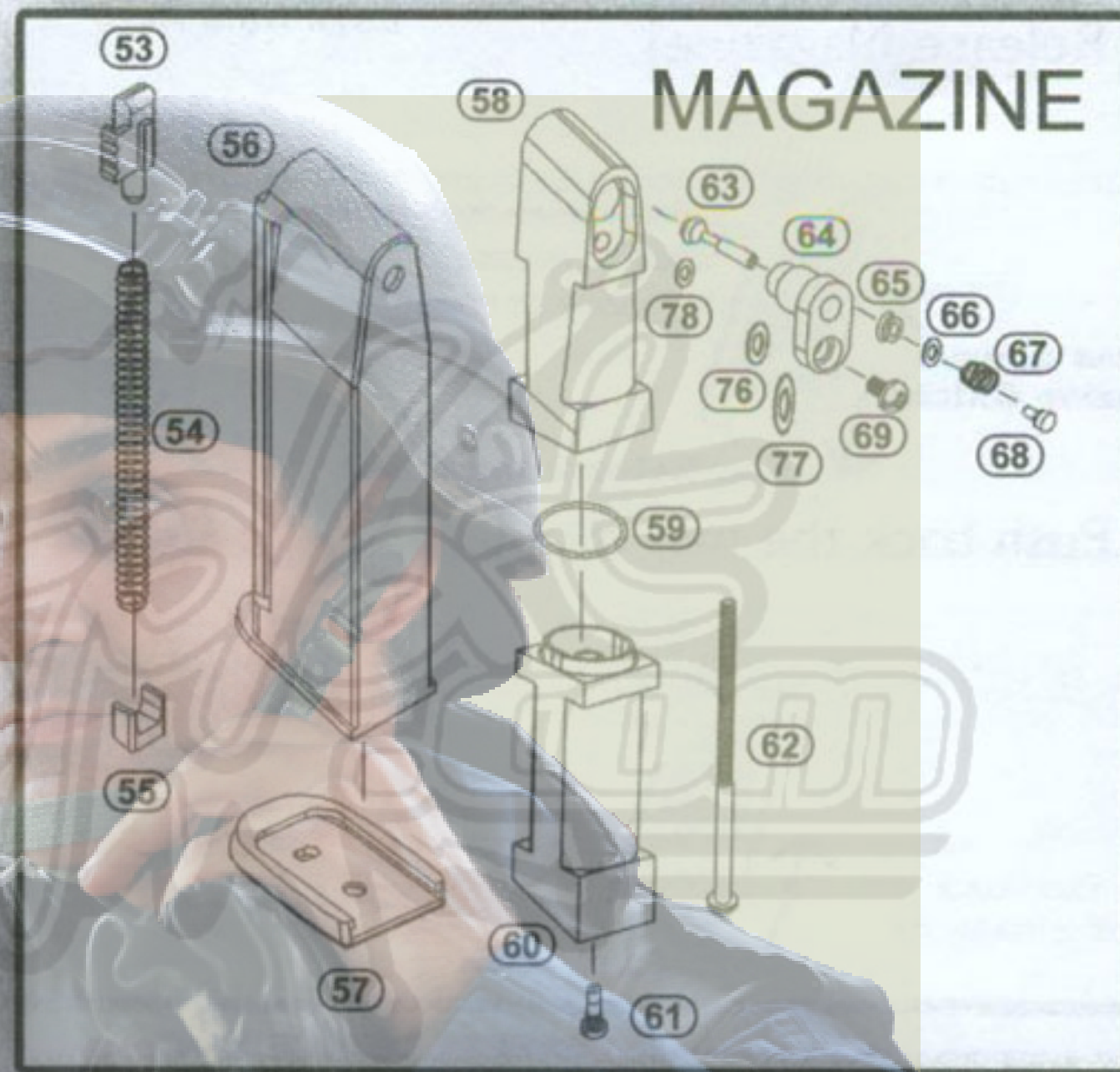
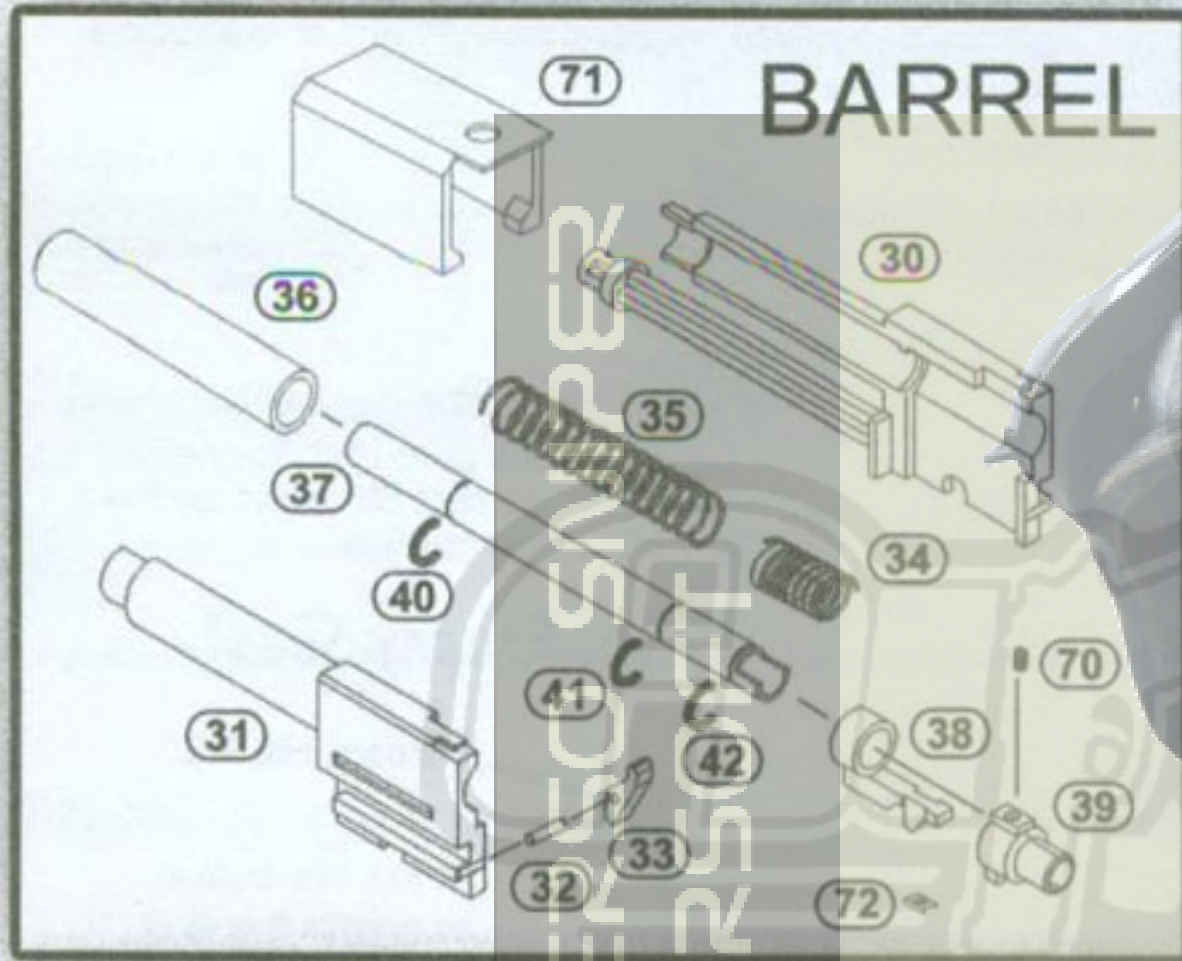
[Materials: Anti-impact ABS, Zinc Alloy, Metal Parts]

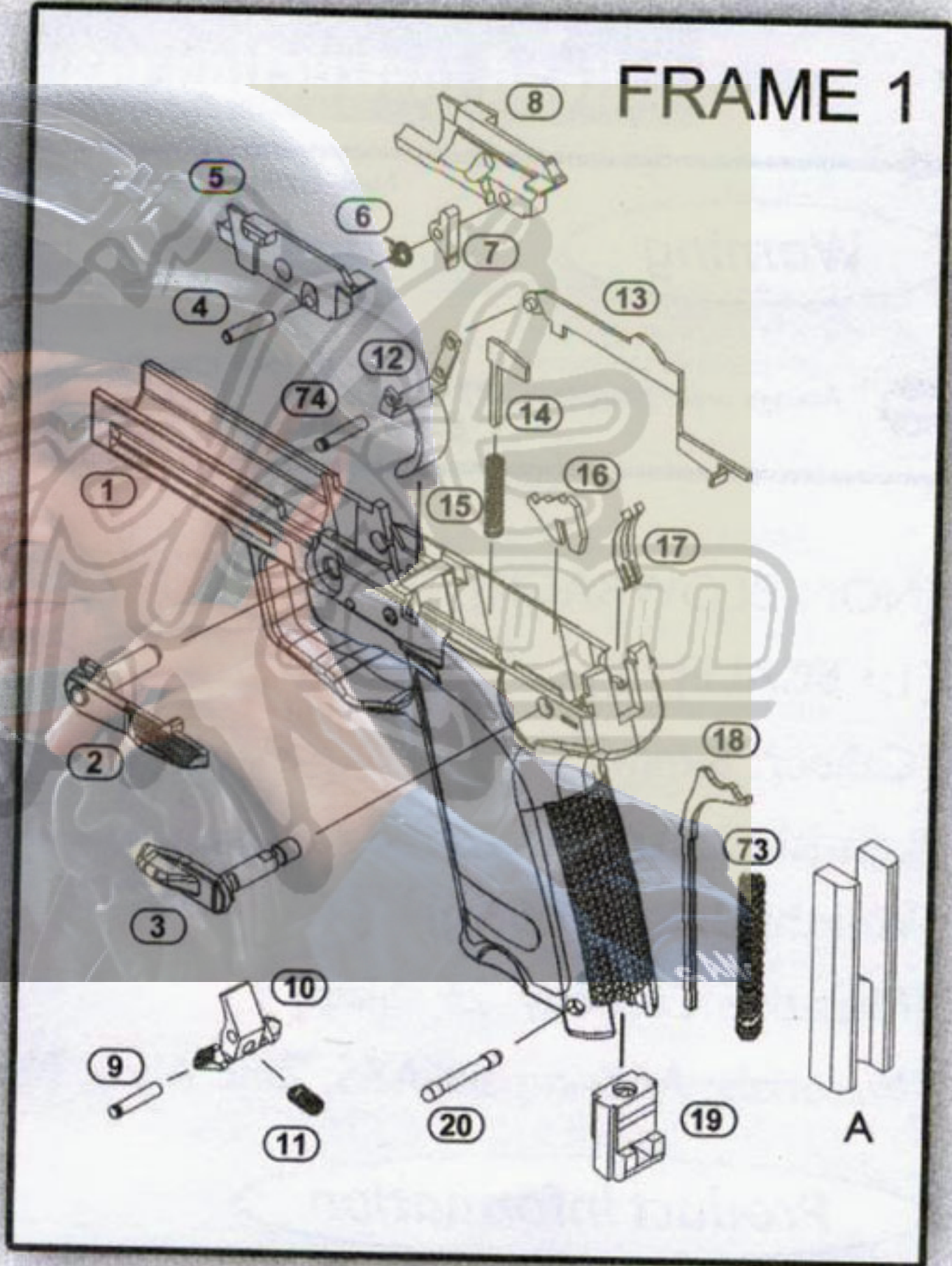
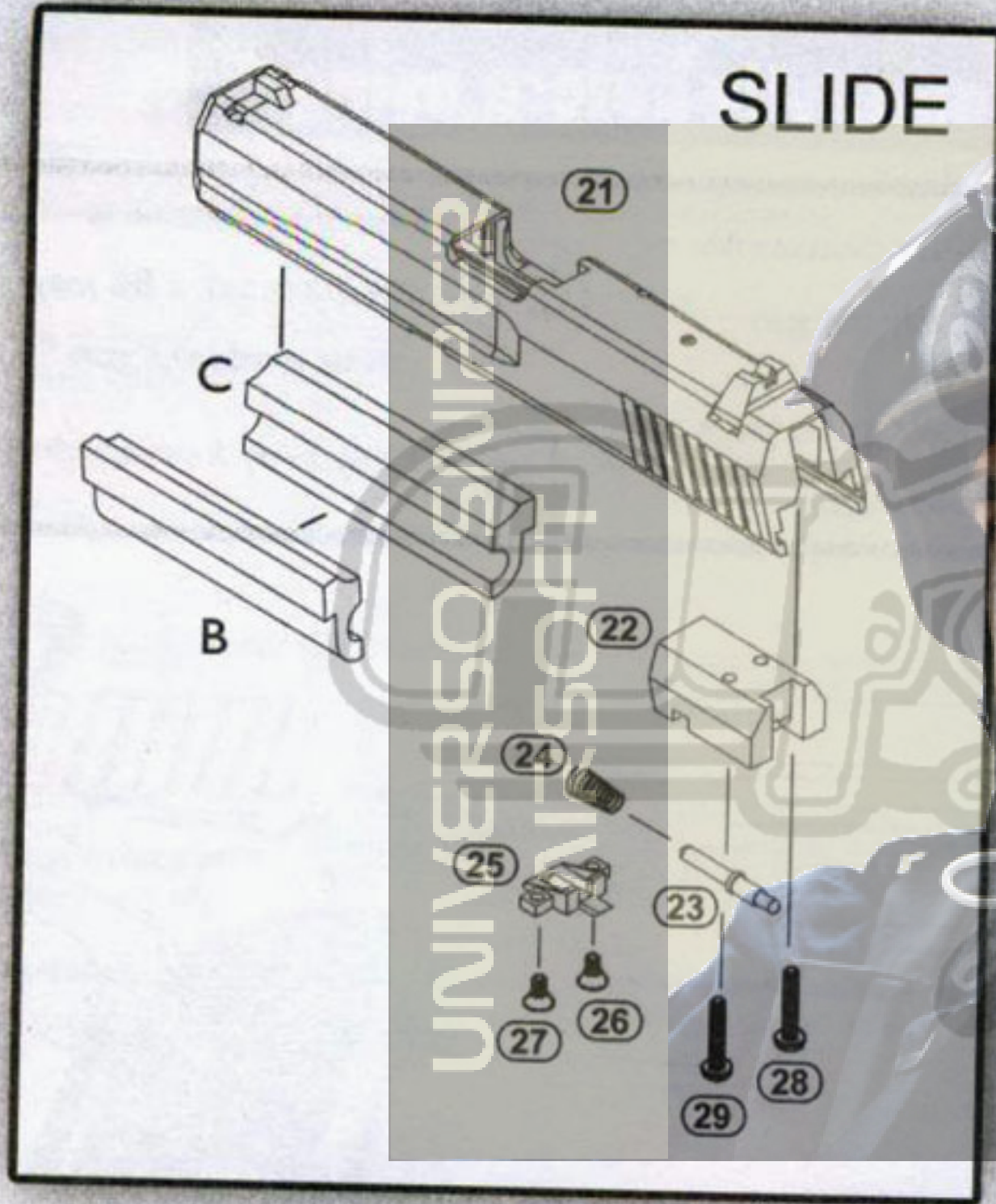
Product Information



PARTS

ЧАСТИ





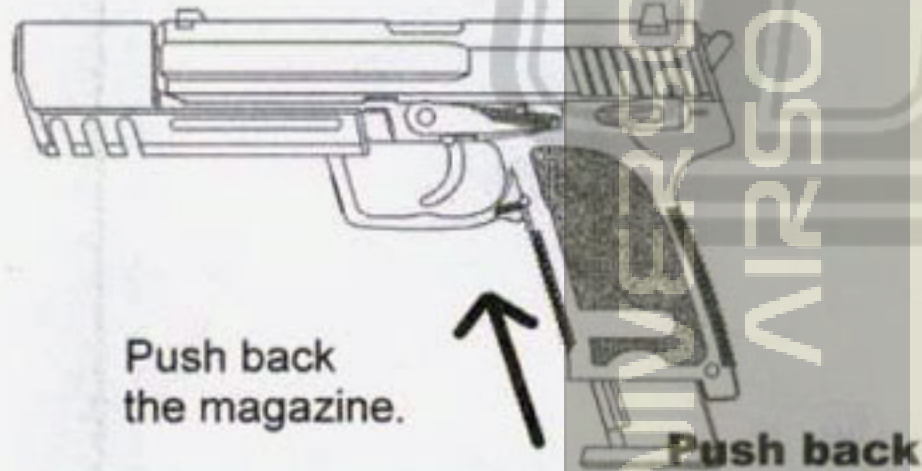
!! WARNING:
 Disassemble or modification of any parts
 of the gun is prohibited.

Operations:

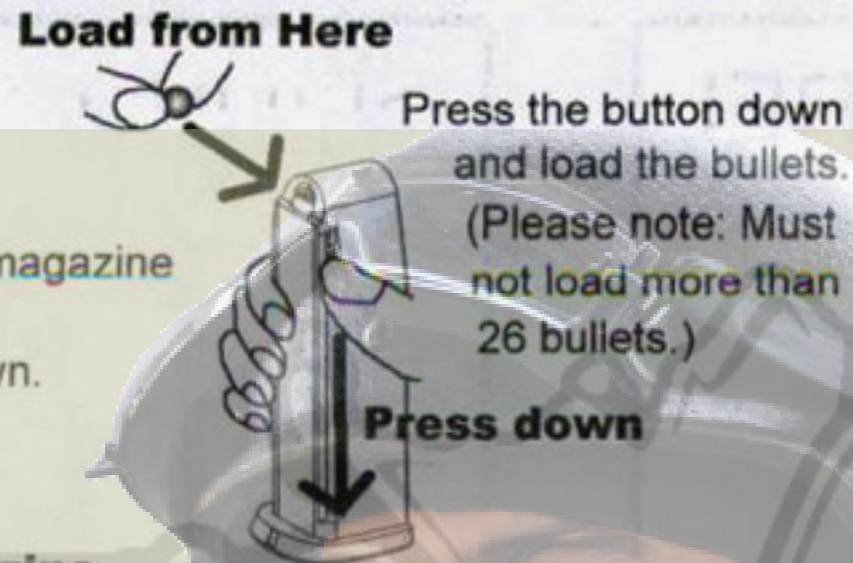
[1: Release Magazine]



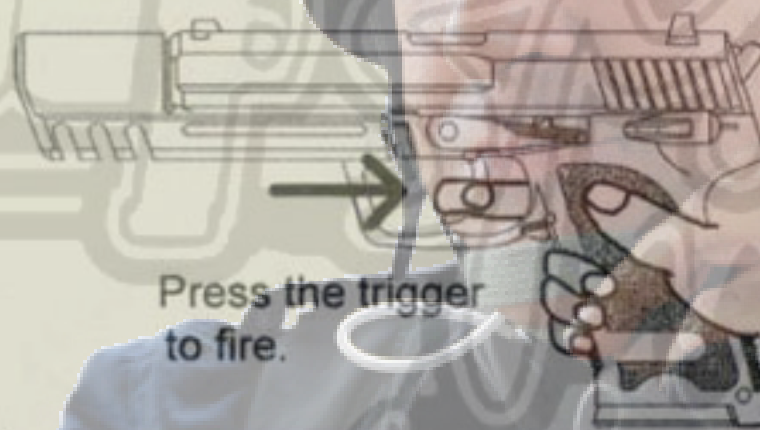
[4: Push back the magazine]



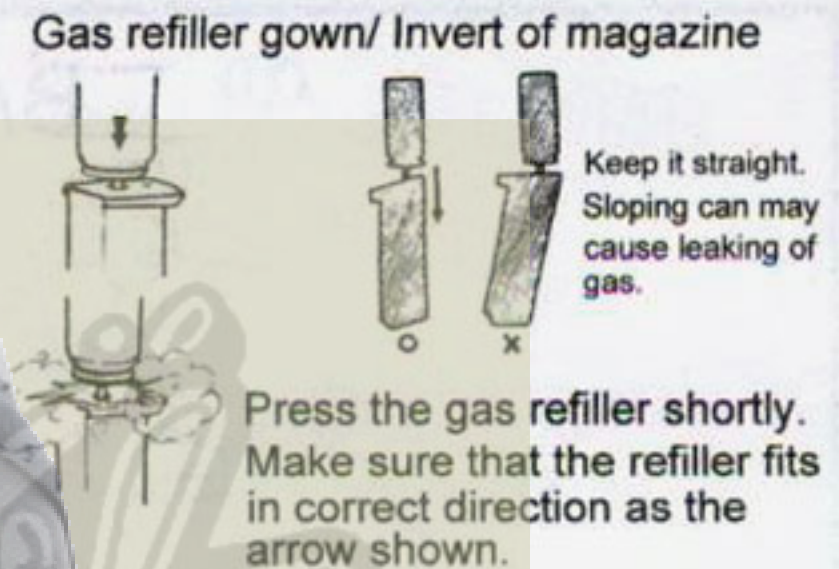
[2: Loading BB Bullets]



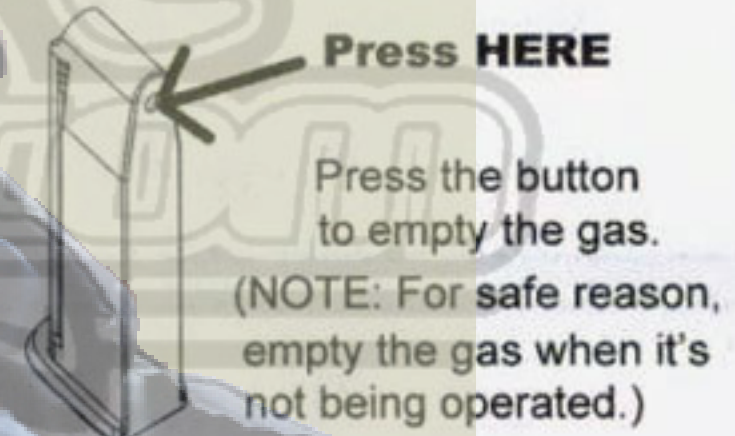
[5: Ready to Fire]



[3: Loading Gas]

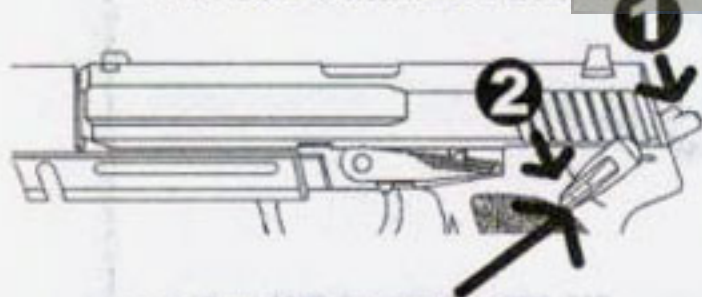


[6: Empty Gas]



[SAFETY DEVICE]

Press **HAMMER** down

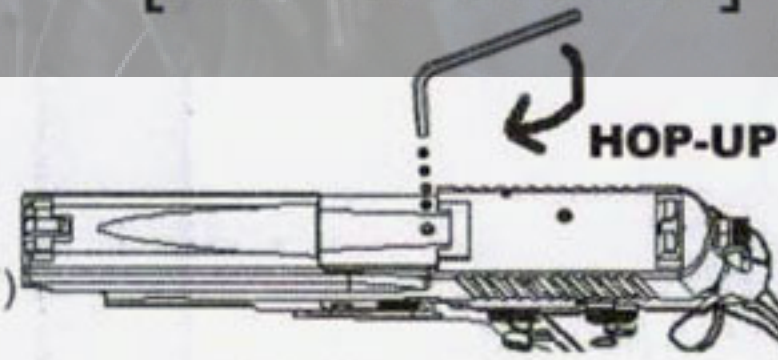


SAFETY BUTTON (To DOWN position)

SAFETY DEVICE "ON":

- Step 1: Press the hammer down as the arrow shown.
- Step 2: Then turn the safety button to "DOWN" position. ("UP" position: safety device OFF) (NOTE: Always turn the safety button to "DOWN" position when it's not being operated.)

[HOP-UP SYSTEM]



(For *fine-tuning* ONLY.)

Use the hexangular spanner to adjust "HOP-UP" function.

Turn the spanner clockwise as the arrow shown. (Bullets go UP.)