

**HANDLING CAUTIONS AND INSTRUCTION MANUAL**

**U.S. NAVY SEALs**



# **MK43 MOD0**

**7.62mm Machine Gun**



## **Automatic Electric Rifle**

User restricted to 18 years of age or older

**Warning**

Always read through this manual before operation.

# CATALOG

PROFILE	1
COMPONENT NAME	2
MANUAL SAFETY SETTING	2
SETTING THE BATTERY	3
SETTING THE AMMO POUCH	3
SETTING THE SIGHTS	4
DETACH THE GEAR BOX	4
MOVABLE PARTS	5-7
FIRING	8
VARIABLE HOP-UP SYSTEM	9
INSTRUCTION OF THE SPEED CONTROL SYSTEM	10
TROUBLE CLINIC	10-11
OTHER PRODUCTS	12-13



## Warning!

**Always read through this manual before operation.**

- Always wear eye protective gear.
- Never aim or shoot a person or animal as the target.
- You may be punished if you are shooting for a practical joke.
- Never look into the gun muzzle.
- Always direct the muzzle towards a safe direction.
- Never shoot the air gun at places where people and cars pass cross.
- Avoid pulling the trigger carelessly.
- Please put away your fingers from the trigger, except when you are ready to shoot a target.
- Always put the gun in a case or bag when you are carrying it.
- Store the gun at places out of reach by children.
- Never disassemble or modify the air gun.
- Always set the selector lever to the Safety position.

# STORY of US NAVY SEALs 7.62mm LMG Mk43 MOD0

AUTOMATIC ELECTRIC RIFLE SERIES

MK43 MOD0

■ M60 was born in 1959, his forerunner - T44, was a GPMG (General Purpose Machine Gun) which refer to WW II famous German "MG-42" machine gun. As US army first GPMG and platoon machine gun, it's been through several battles like Vietnam War, Somalia civil war, two Gulf wars, and serviced more than 30 countries out side the US. No matter in the hand of infantry, side door of helicopter, top roof of armored vehicle, you could always see its figure. M60 has been serviced almost half century, with trust of primary level of troops.

■ During this half century, M60 has done several changes. E3 was the first model chosen by US Navy special forces, and constantly upgraded to E4 model, with improved and better reliability. Once again, Saco Defense MK 43 MOD 0 was based on M60E4, it integrated all kind of improvements, fixed rest defects and retained the pure. In 1995, it was delivered to US Navy. The strongest fighter of M60 family now is in the forefront, to reveal its true character.

■ MK 43 MOD 0 has made lot changes. Some internal parts have been redesign and build, top cover was lighter, to decrease 12% of weight in total. Modification of feeding related parts give additional 30% pull strength, to cope feeding problem. New production barrel has more than 15000 rounds service life, which give it better survival rate in the battle. Modification of external parts as follow:

1. New duckbill flash hider, to decrease muzzle flame for better use.
2. Improved gas tube, convenient for use and maintain, also adopted a larger gas tube knob.
3. New tubular bipod is easy for use, more strength, and cheaper in production.
4. One piece design handguard, made by glass fiber with large structure, plus steel heat shield inside to bear high temperature when sustain fire.
5. New sling mount to prevent sling contact with barrel to cause melt and break
6. Redesign leaf spring to holds trigger group more sturdy.
7. New ammo box hanger, separated from feed tray completely.
8. New top cover combines MIL-1913 rail, varied 7.62mm scopes can be used.
9. New stock has shoulder support like original M60.

■ Those changes make MK 43 is easy to identify with other M60 members from outer appearance. And 14.5" barrel gives MK 43 shorter length entirely, more pithy and poignant, and perfect for erratic tactic by special forces.

■ After half century of military life, M60 will still stand in the forefront proudly, and provide warriors most instant fire support.

Data of Actual Mk43 Mod0

Overall	Weight	Barrel length	Capacity	Caliber
940mm	9900g	451mm	100rds	7.62mm NATO

Data of A&K Mk43 Mod0 AEG

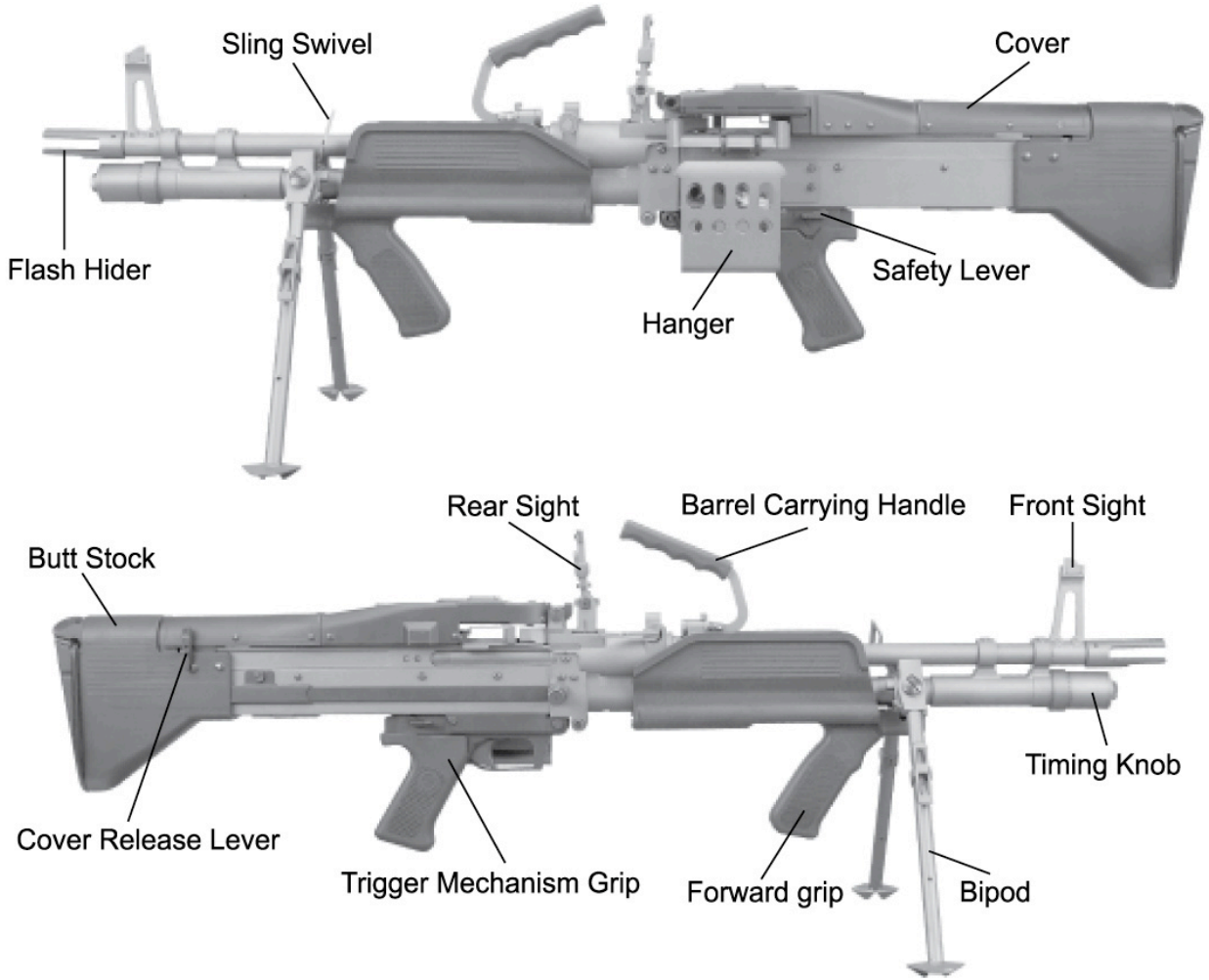
Overall	Weight	Caliber	Capacity	Muzzle Speed
940mm	6050g	6mm BB	3500rds	90/sec



# 1 Component Name

AUTOMATIC ELECTRIC RIFLE SERIES

MK43 MOD0



# 2 Safety Lever Setting



**Safety Setting (The trigger can not be pulled.)**  
Always set the lever to the Safety position when you are not firing the gun or during storage.



**Full Auto(Automatic Firing)**  
The gun will fire automatically while the trigger remains pulled.

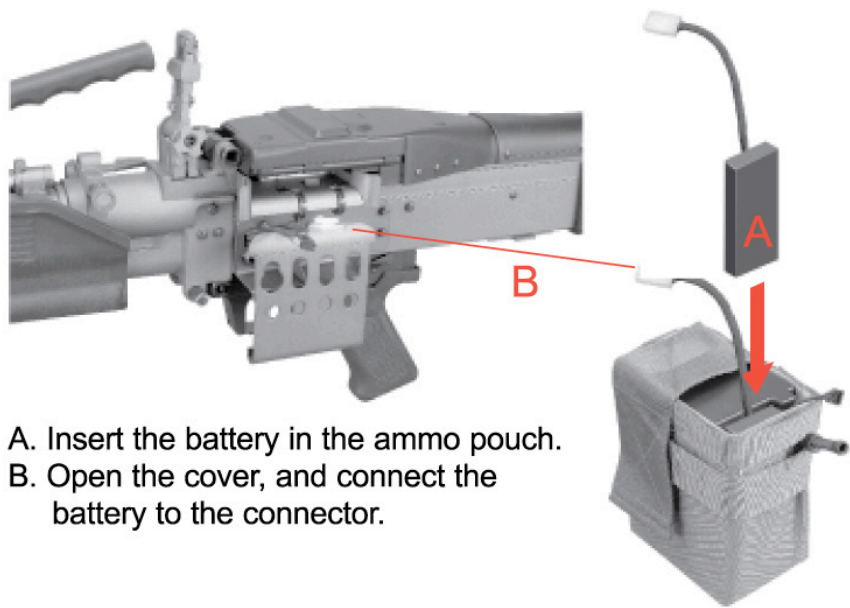
## WARNING • CAUTION

- Never operation the safety lever while pulling the trigger. Otherwise, malfunctions are possible, resulting in accidents.
- Pulling the trigger with the safety lever being set to safe

### 3 Setting the Battery

**WARNING • CAUTION**

- Direct the muzzle towards a safe direction and set the safety lever to the Safety position.



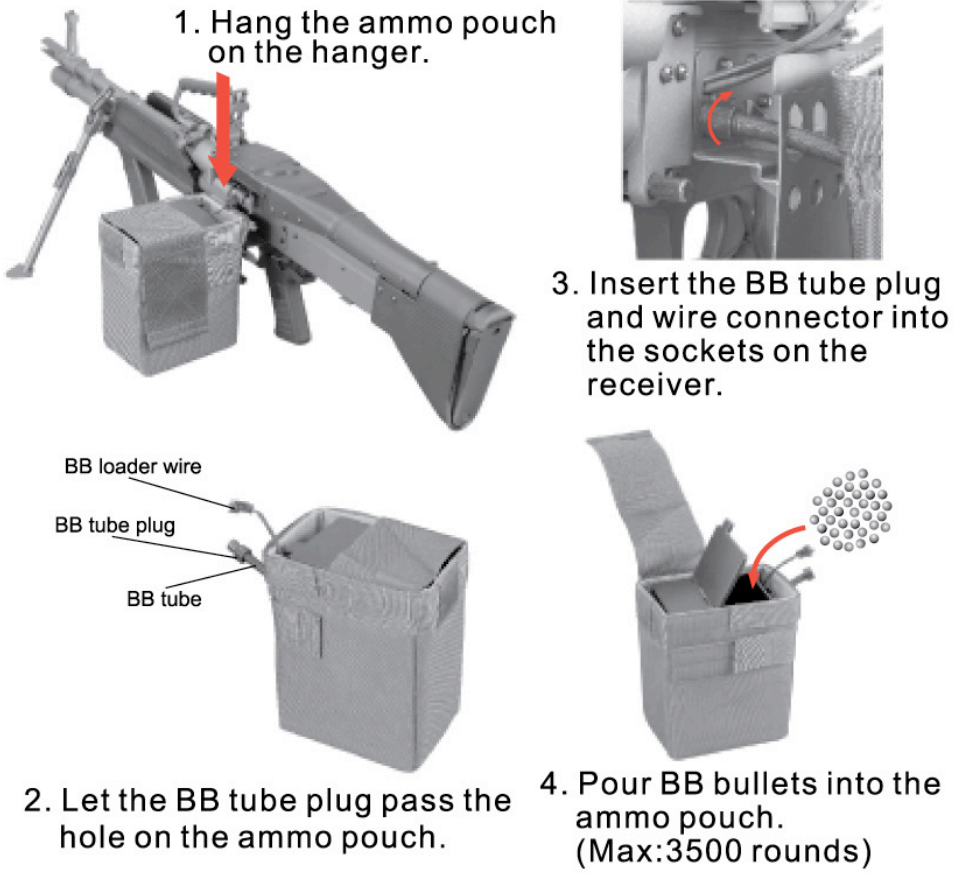
A. Insert the battery in the ammo pouch.  
 B. Open the cover, and connect the battery to the connector.

☆ Warning: Please do not connect two batteries at the same time.  
 ☆ Use 9.6V~10.8V battery only.

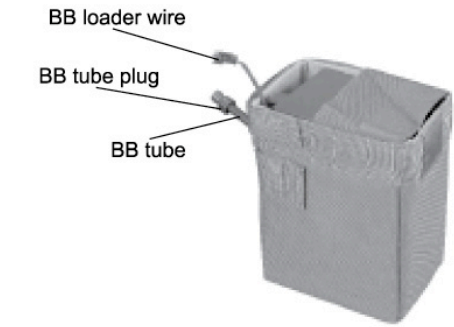
### 4 Setting the Ammo Pouch

**WARNING • CAUTION**

- Always use the BB bullet for this air gun. We will not be held responsible for any damage and accidents arising from use of bad quality bullets supplied by other manufacturers.



1. Hang the ammo pouch on the hanger.



2. Let the BB tube plug pass the hole on the ammo pouch.

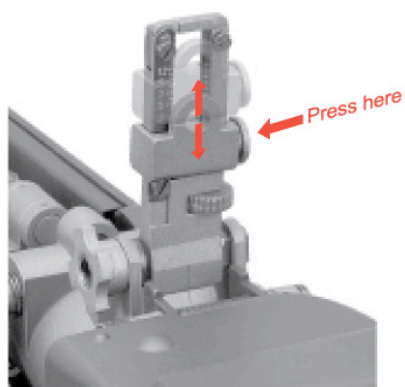
3. Insert the BB tube plug and wire connector into the sockets on the receiver.

4. Pour BB bullets into the ammo pouch. (Max:3500 rounds)

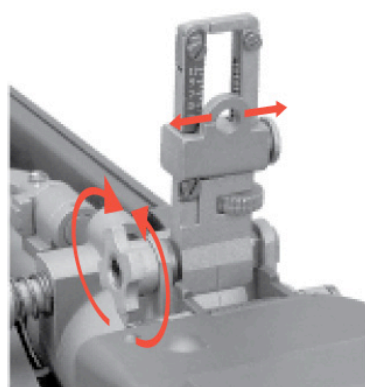
## 5 Setting the Sight

AUTOMATIC ELECTRIC RIFLE SERIES

MK43 MOD0



1. Keep pressing the sight button, then move the sight up or down.

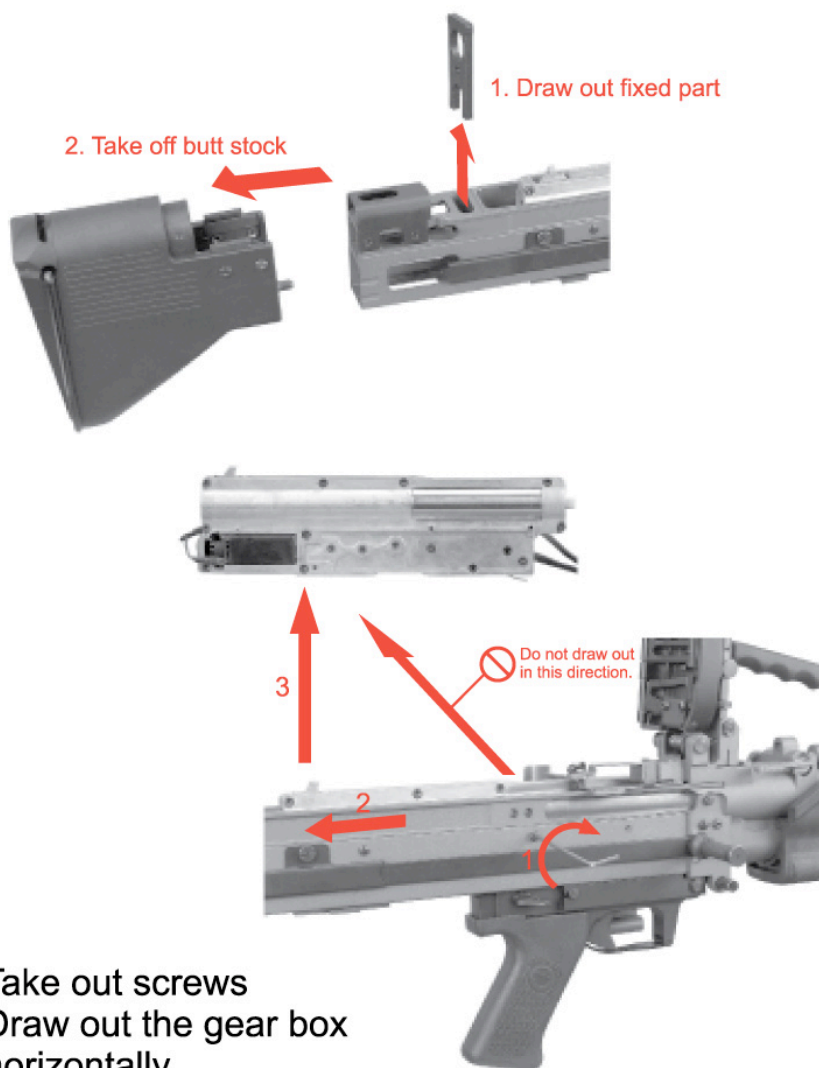


2. Turning the elevation adjustment dial will move the sight right or left.

### WARNING • CAUTION

- Note that the elevation adjustment dial come off when working the dial too much.

## 6 Detach the Gear Box



1. Take out screws
2. Draw out the gear box horizontally
3. Take out the gear box in upright position

### WARNING • CAUTION

- Please be sure to draw out the gear box horizontally, otherwise may cause breakdown.

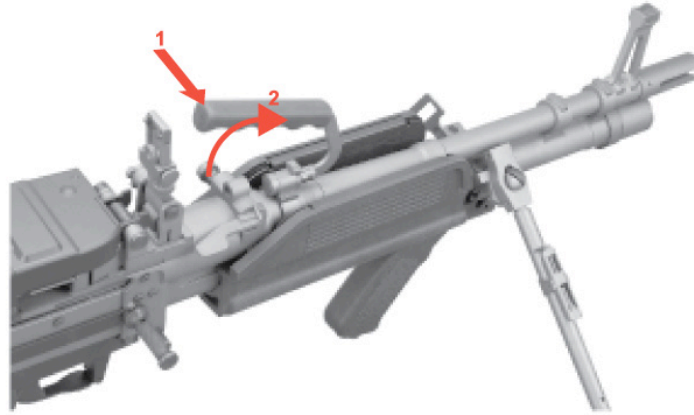


## 7 Moveable Parts 【7-1】 : Barrel

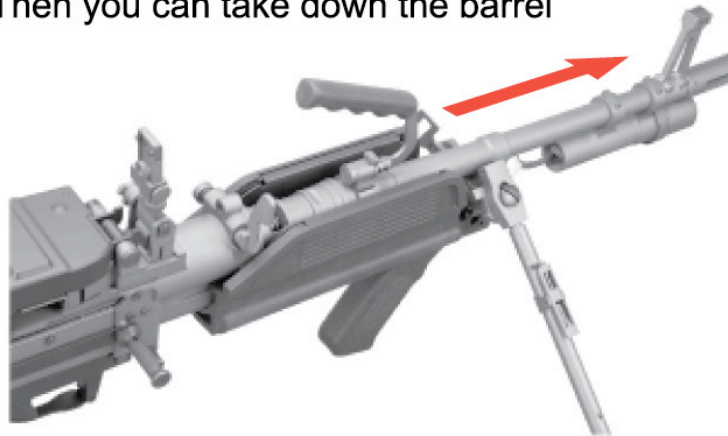
### WARNING • CAUTION

- Be careful not to catch your finger in the bolt as it will close quickly when the operating rod is released.

1. Press the barrel release lever, and then turn anti-clockwise to release it.



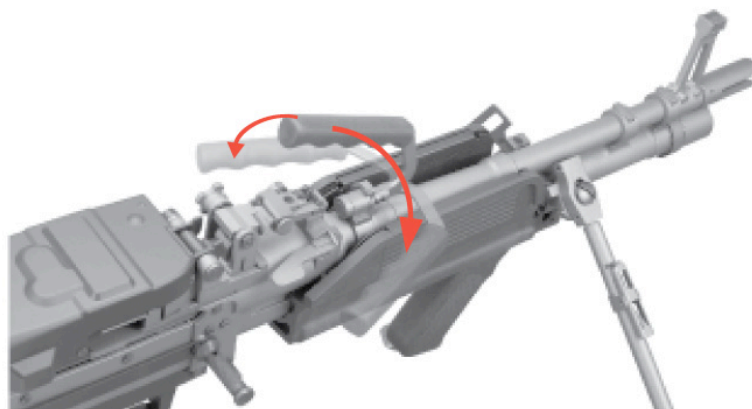
2. Then you can take down the barrel



## 【7-2】 : Barrel Carrying Handle

### WARNING • CAUTION

- Please be sure to draw out the gear box horizontally, otherwise may cause breakdown.



The barrel carrying handle is collapsible.

## 【7-3】 : Bipod

AUTOMATIC ELECTRIC RIFLE SERIES

MK43 MOD0



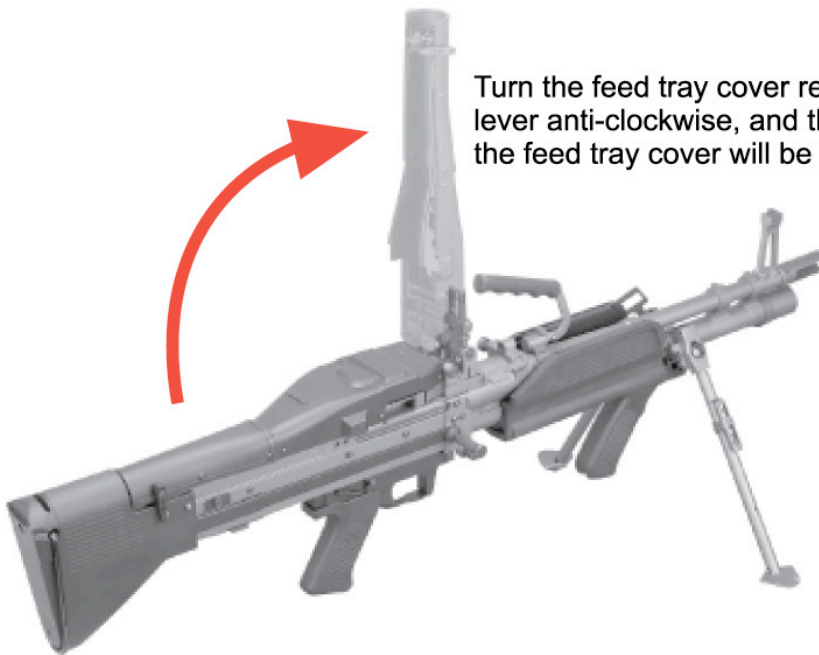
Keep pressing the bipod release button.

Then pull the bipod to adjust length.(3 levels)

### WARNING • CAUTION

- Be careful not to catch your finger in the moving parts.

## 【7-4】 : Upper Cover



Turn the feed tray cover release lever anti-clockwise, and then the feed tray cover will be opened.

### WARNING • CAUTION

- Please be sure the safety lever is set to the Safety position.

## 【7-5】 : Shoulder Rest



The shoulder rest opens and shuts.

### WARNING • CAUTION

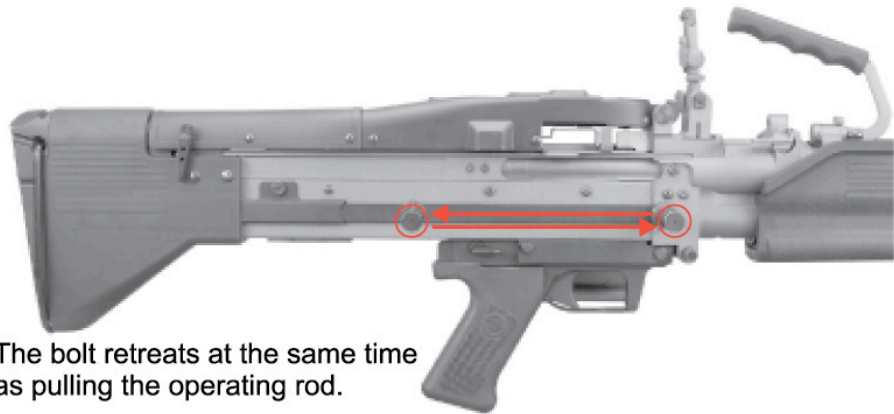
- Do not open or close the shoulder rest by force.



## 【7-6】 : Cocking Lever

### WARNING • CAUTION

- Be careful not to catch your finger in the bolt as it will close quickly when the operating rod is released.

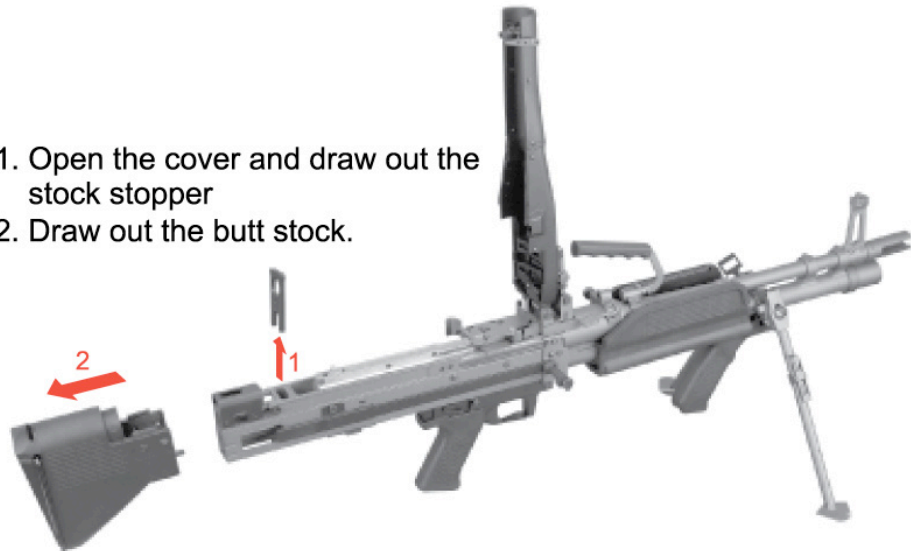


## 【7-7】 : Butt Stock

### WARNING • CAUTION

- Be careful not to catch your finger in the bolt as it will close quickly when the operating rod is released.

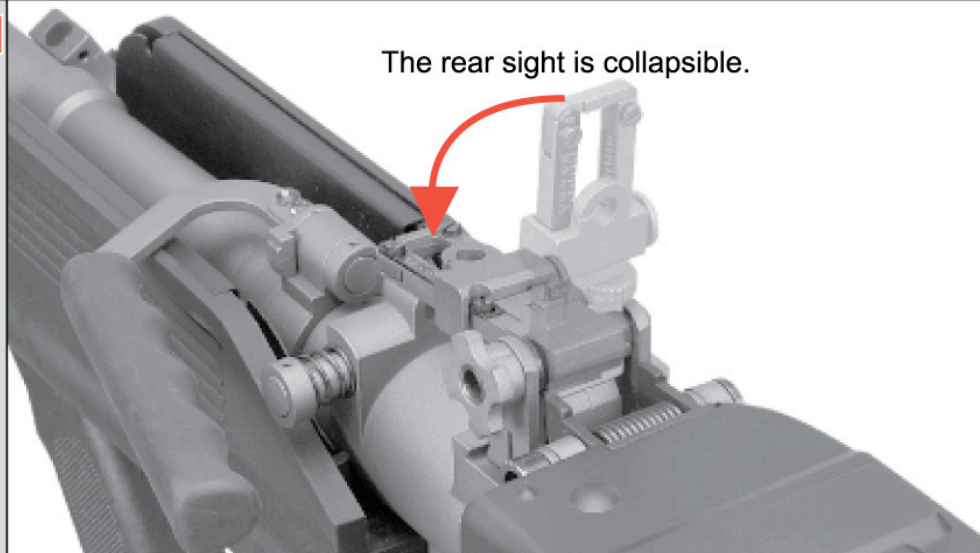
1. Open the cover and draw out the stock stopper
2. Draw out the butt stock.



## 【7-8】 : Rear Sight

### WARNING • CAUTION

- Be careful not to catch your finger in the bottom of sight as it will close quickly when the operating rod is released.





1. Set the safety lever to Full Auto.



2. Pull the trigger.

#### CAUTION

- Activating the trigger carelessly is extremely dangerous. Never put your finger onto the trigger unless you are ready to shoot a target.
- A blank firing may occur at triggering after setting the magazine; this is the normal operation of the gun.

#### After Operation

- Remove the magazine and dry fire the gun in the semi auto mode directing the muzzle to a safe direction. (Otherwise, the spring may be weakened.) Set the selector to the safe position.
- Bullets may remain in the chamber even if the magazine contains no bullets (or if the magazine is not connected).

#### Cautions on Motor and Battery

- Charge the battery if the firing cycle becomes slow.
- Give the air gun a rest for 5 to 10 minutes after firing about 500 rounds, in order to ensure long service lives of the motor and battery.

#### When Bullets are clogged

If bullets are clogged, remove them and apply a few drops of silicone oil into the chamber from the magazine entrances or spray silicone oil for 0.5 to 1 sec to obtain smooth continuous firing.

#### WARNING • CAUTION

- Confirm safety sufficiently before beginning firing.. Pulling the trigger with the selector being set to safe may damage the gun.

#### WARNING • CAUTION

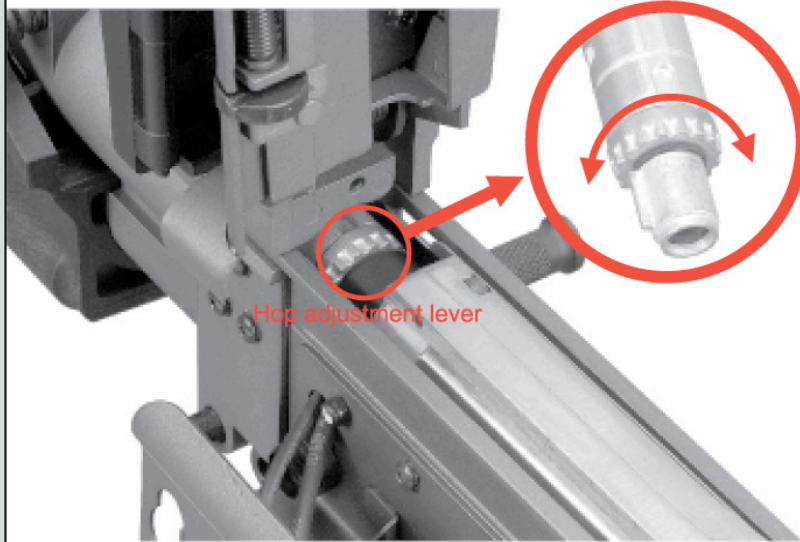
- Never use WD-40, CRC-556 or other mineral oil.

# 9 Variable Hop-Up System

**WARNING • CAUTION**

● Moving the lever too much towards Hop causes bullets to clog. Adjust again after stopping shooting immediately, returning the lever to the Normal side and canceling hop, since a piston and gears will be damaged, if it continues shooting then.

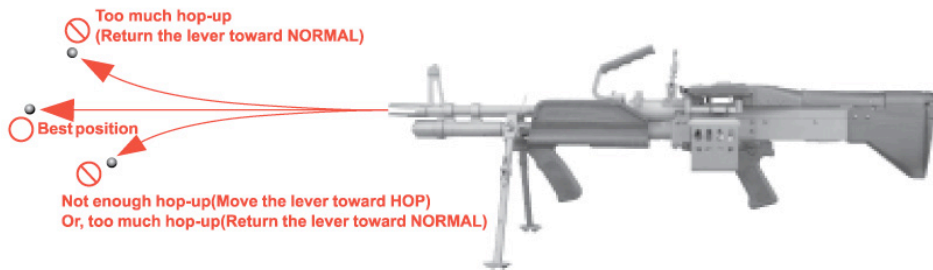
By giving rotation of the fixed direction to BB bullet, a lift is given and it flies horizontally toward a long distance target. Variable Hop-Up system can tune finely that a spin starts.



1. Open upper cover to adjust the Hop-Up system.
2. Gradually slide Hop adjustment lever towards Hop to give hop up to bullets. (The best setting is where bullets fly horizontally.)

Pushing excessively adversely affects the trajectory. So, stop turning the dial when bullets fly horizontal.

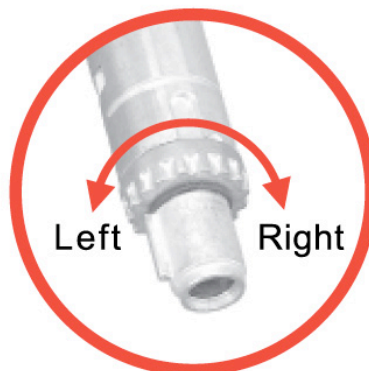
**The best position is where the bullets fly horizontally, and the longest flying distance is obtained.**



**WARNING • CAUTION**

● Never hold the gun sideways as the BB bullets will curve right or left. This is due to the Hop-Up system.

● When about 10,000 rounds are fired, spray silicone oil to the chamber for 0.5 to 1 sec.

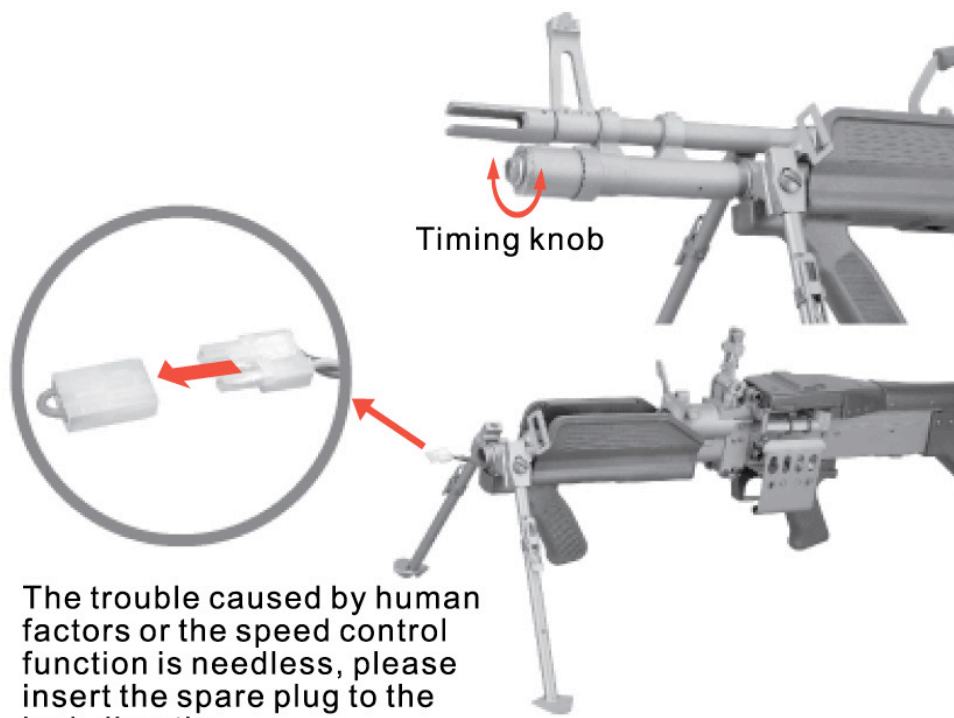


Adjust the lever to left to move the barrel up  
Adjust the lever to right to move the barrel down.



# 10 INSTRUCTION OF THE SPEED CONTROL SYSTEM

AUTOMATIC ELECTRIC RIFLE SERIES MK43 MOD0



The trouble caused by human factors or the speed control function is needless, please insert the spare plug to the jack directly.

### WARNING • CAUTION

- Please be sure not too much turning of the timing knob otherwise may break the knob

# 11 When Hop-Up is improper

Symptom	Cause	Action
Bullets flying upwards	Too much hop setting.	Gradually return adjustment lever towards Normal.
Short flying distance of bullets (less hop-up effect)	Too much hop setting.	Gradually return adjustment lever towards Normal.
	Hop packing contaminated by oil or dirt.	Clean using the cleaning rod or consult your dealer for repair
	Worn or damaged hop packing.	Purchase the replacement part at your dealer and replace it.
Can not adjust	Damaged adjustment lever or other parts	Purchase the replacement part at your dealer and replace it.
Frequent bullet clogging	Too much hop setting.	After the adjustment lever is returned to anormal side, and the hop is released, it adjusts again.
	Improper or too large sized BB bullets.	Use the BB bullet.
	Dirty hop packing	Clean using the cleaning rod or consult your dealer for repair

## 12 Trouble Clinic (Trouble shooting)

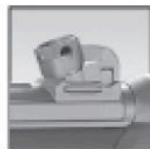
Symptom	Cause	Action
No operation at all	Selector lever is set to safety.	Set the selector lever to fire.
	Battery is no charged.	Charge the battery.
	Battery connector is disconnected.	Connect the connector.
	The + and - of battery connector is reversed.	Connect the connector correctly.
	Fuse is blown out.	Replace the fuse.
Although motor is revolving gun does't fire	Bullets are clogged inside the magazine	Insert the charging ord into the maga-zine and move it up and down a few times to remove clogged bullets.
	Bullets are clogged in the chamber.	Remove clogged bullets using the cleaning rod.
	Faulty gear	Purchase the replacement gear from your dealer and repair.
Malfunction of full auto operation (automatic firing)	Insufficient battery power	Charge the battery.
	Faulty bullet feed of magazine	Repair clogging of the magazine.
Malfunction of semi-auto operation	Poor electrical connection	Consult your dealer for overhaul maintenance or repair.
Automatic firing cycles become slow	Insufficient battery power	Charge the battery.
Shooting distance becomes shorter.	Worn or damaged chamber packing	consult your dealer for overhaul maintenance or repair. Replace the chamber packing., piston packing(O-ring) and piston assembly.
	Worn or damaged piston packing(O-ring)	
	Deteriorated piston spring	
	Faulty BB bullets (too small or heavy)	Use the genuine BB bullets.
	Shortage of Silicone oil	Drop a few drops of silicone oil from under the chamber
	Gear problems caused by excessive blank firing	consult your dealer for overhaul maintenance or repair. Replace the chamber packing., piston packing(O-ring) and piston assembly.
Overly loud operating noise	Gear problems caused by excessive blank firing	
	Worn of damaged gear	
Bullets falling out from barrel end	Gear problem caused by excessive blank firing	Use the genuine BB bullets.
	Worn or damaged chamber packing	



# AUTO ELECTRIC GUN



MP5



**AGES  
18+**

**6MM BB BULLET**  
1/1 REAL SCALE COMPLETED HIGH  
GRADE TYPE AIR SPORT GUN



M4.RIS

