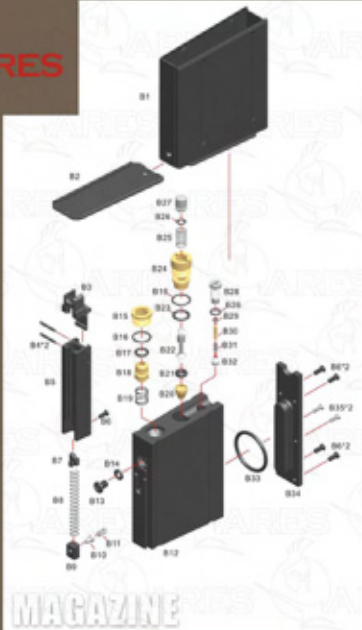
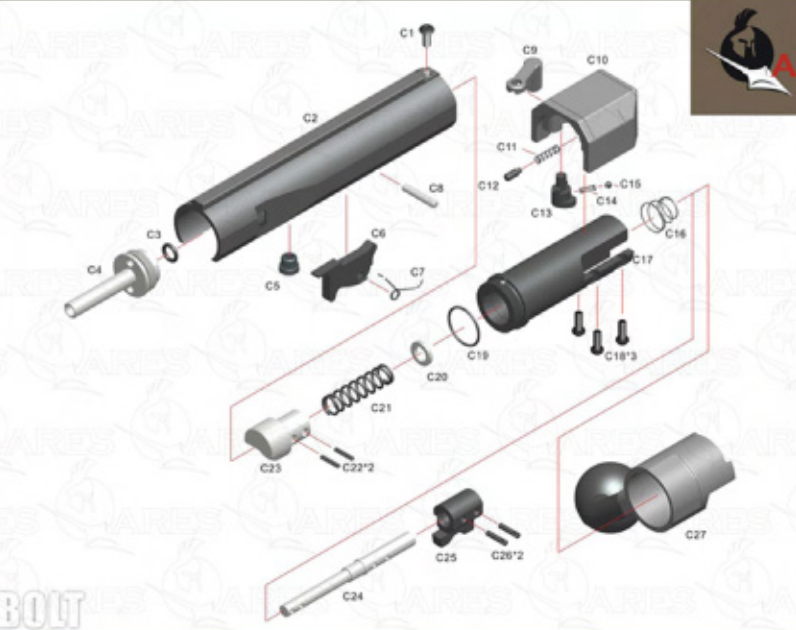
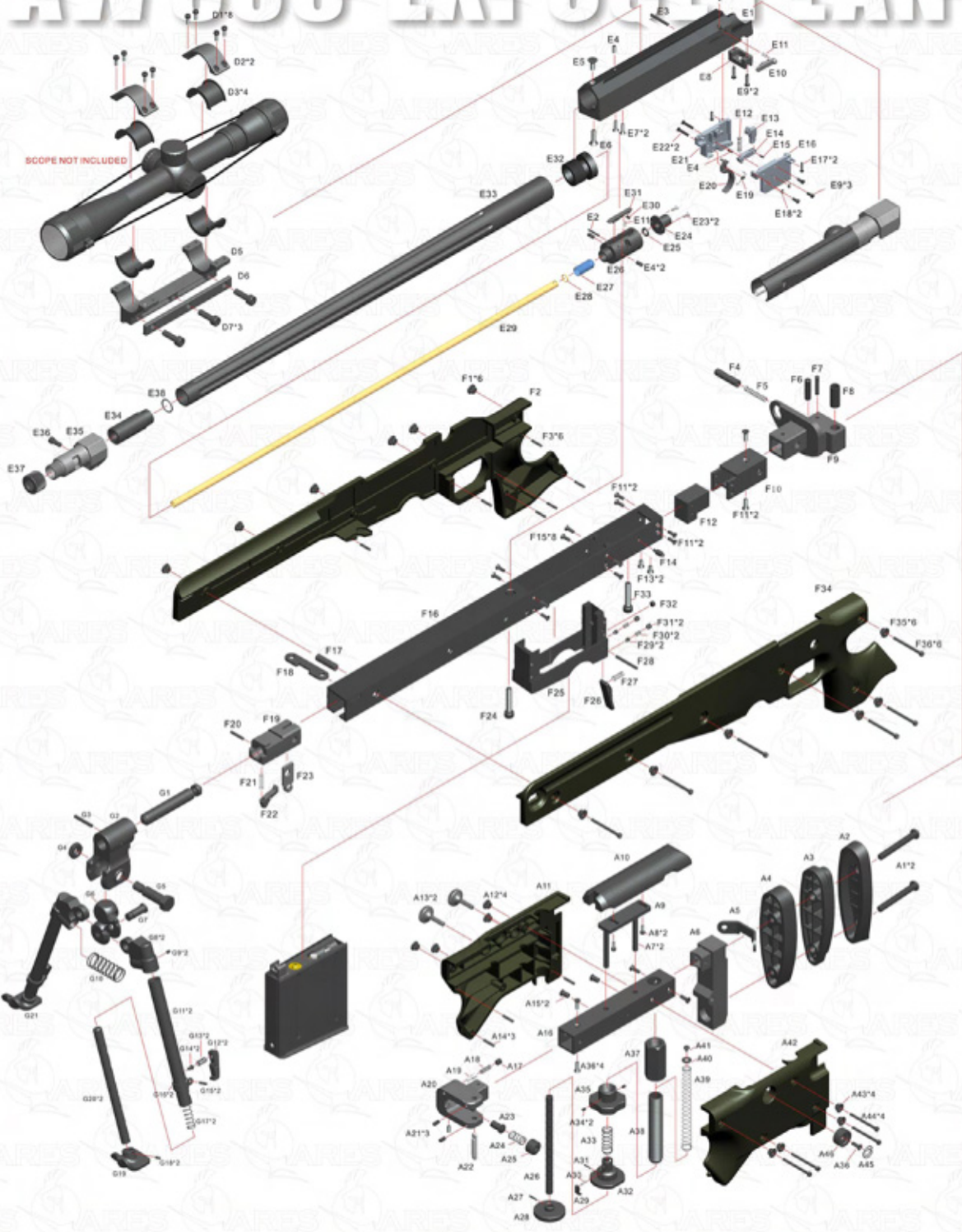
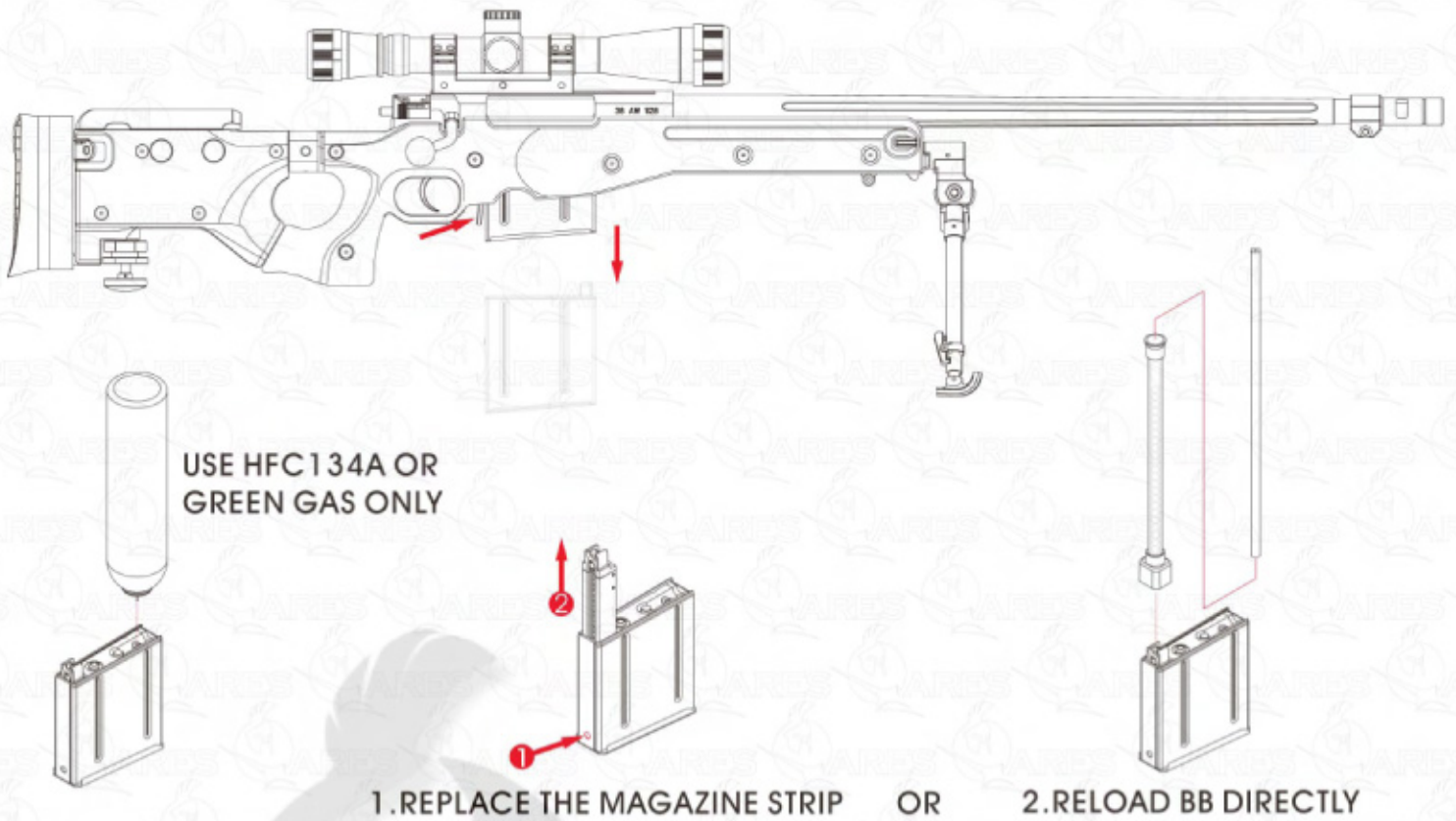


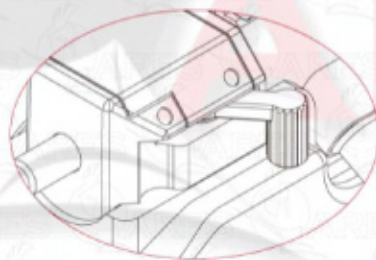
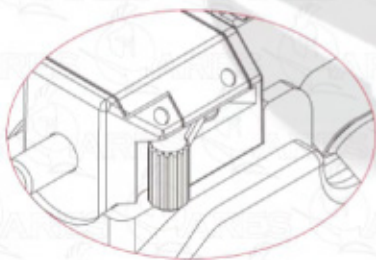
# AW 338 EXPOSE PLAN



# GAS CHARGING & RELOAD



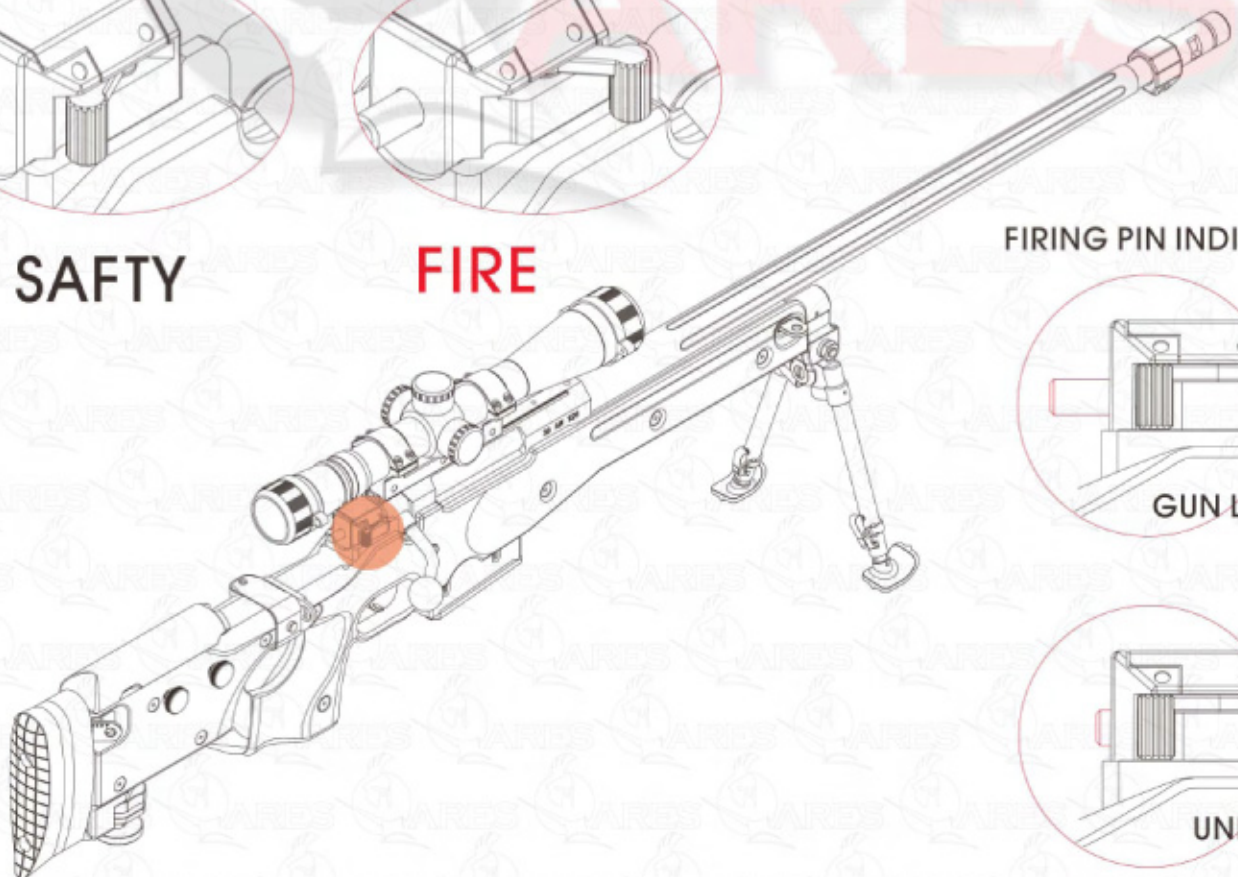
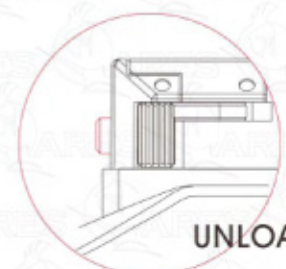
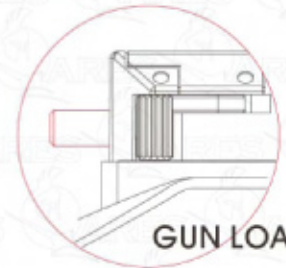
# SAFETY MODE



SAFETY

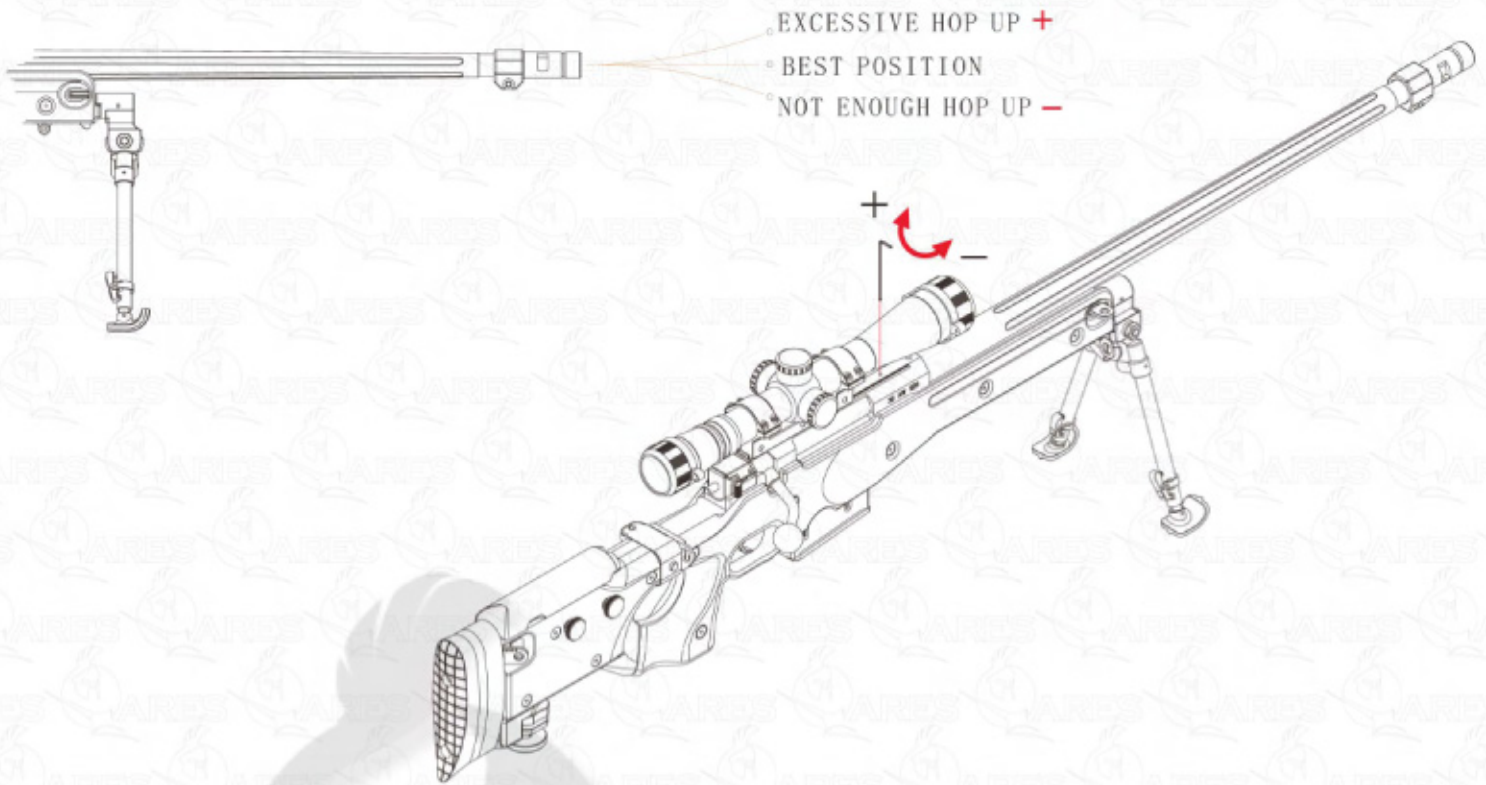
FIRE

FIRING PIN INDICATION

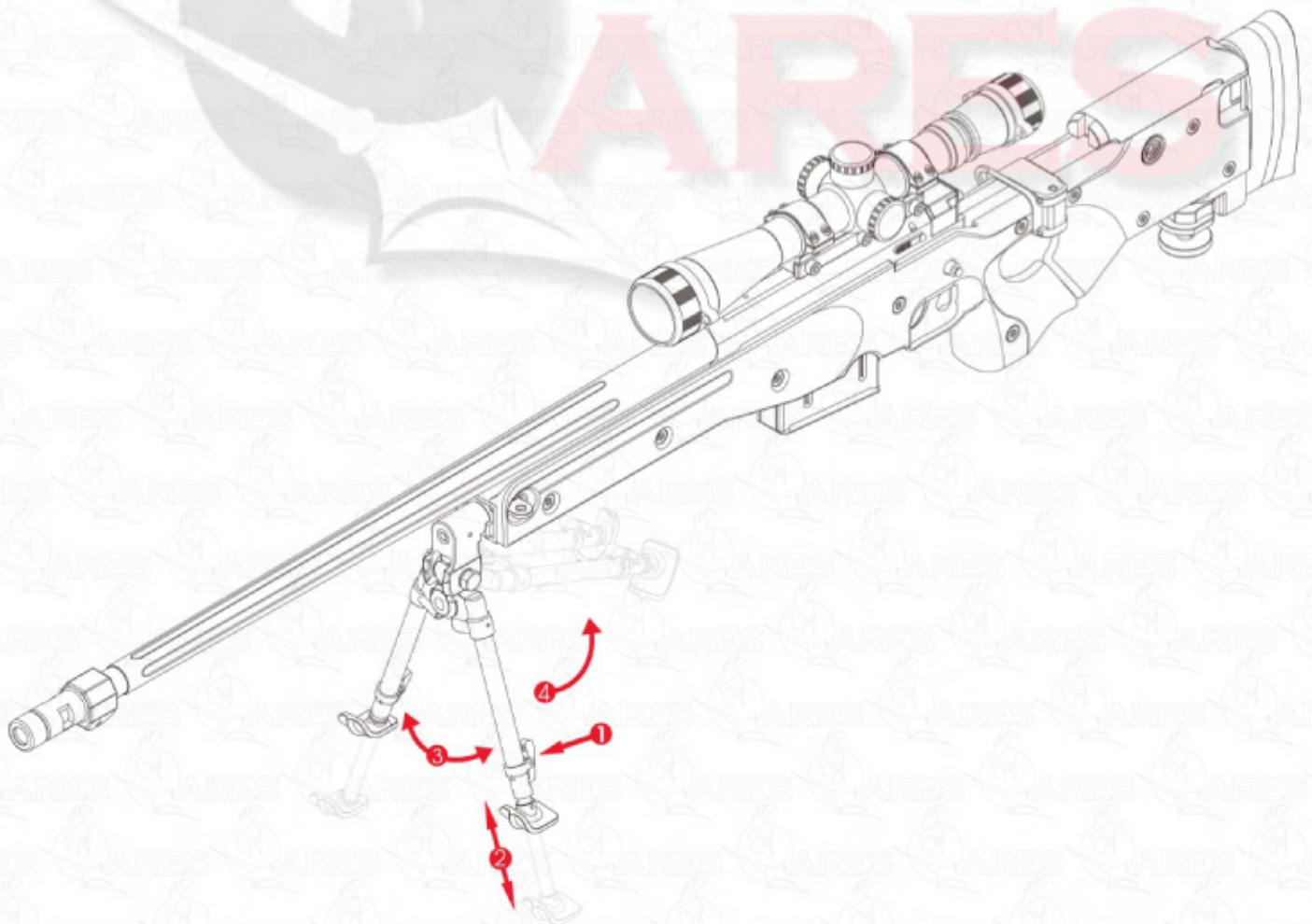




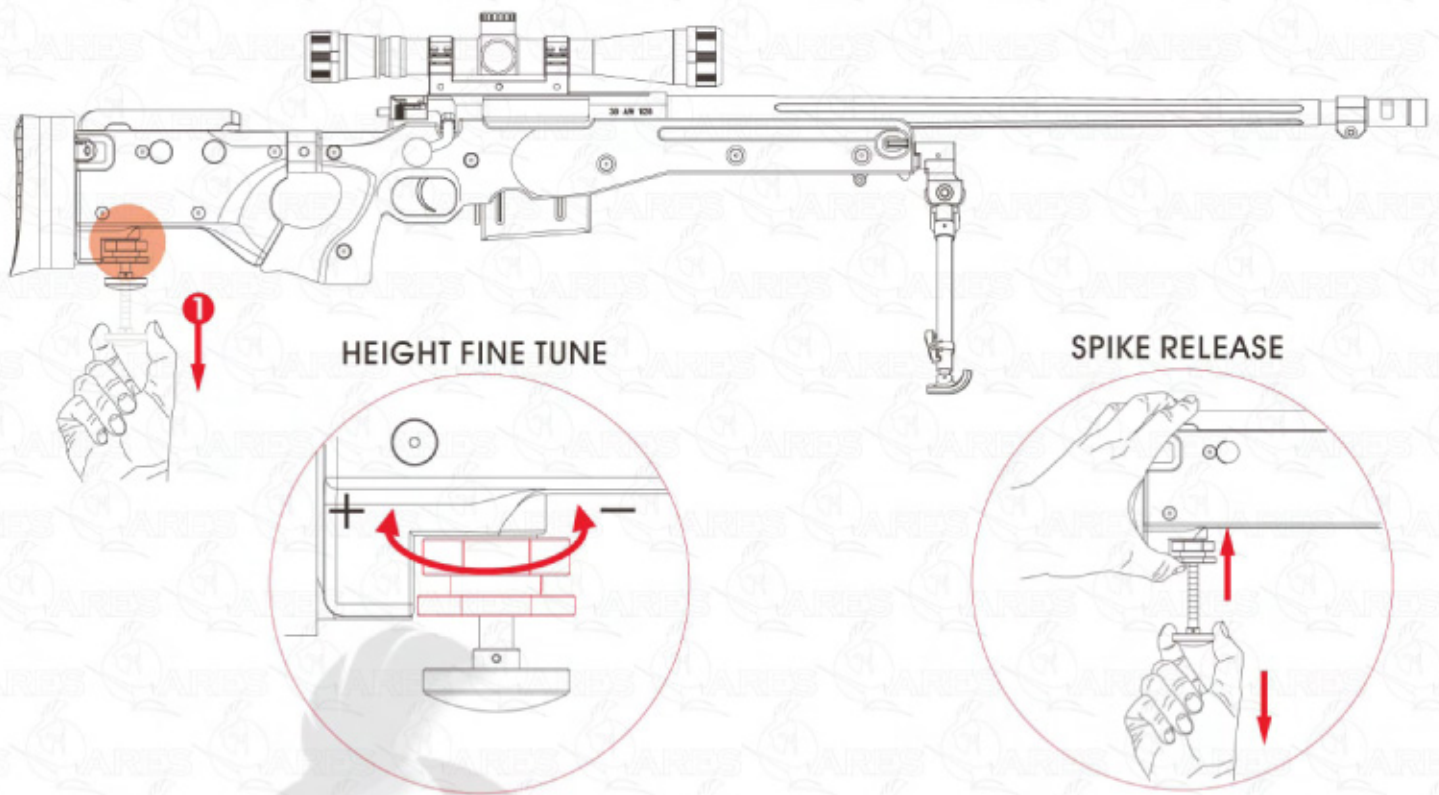
# HOP-UP ADJUSTMENT



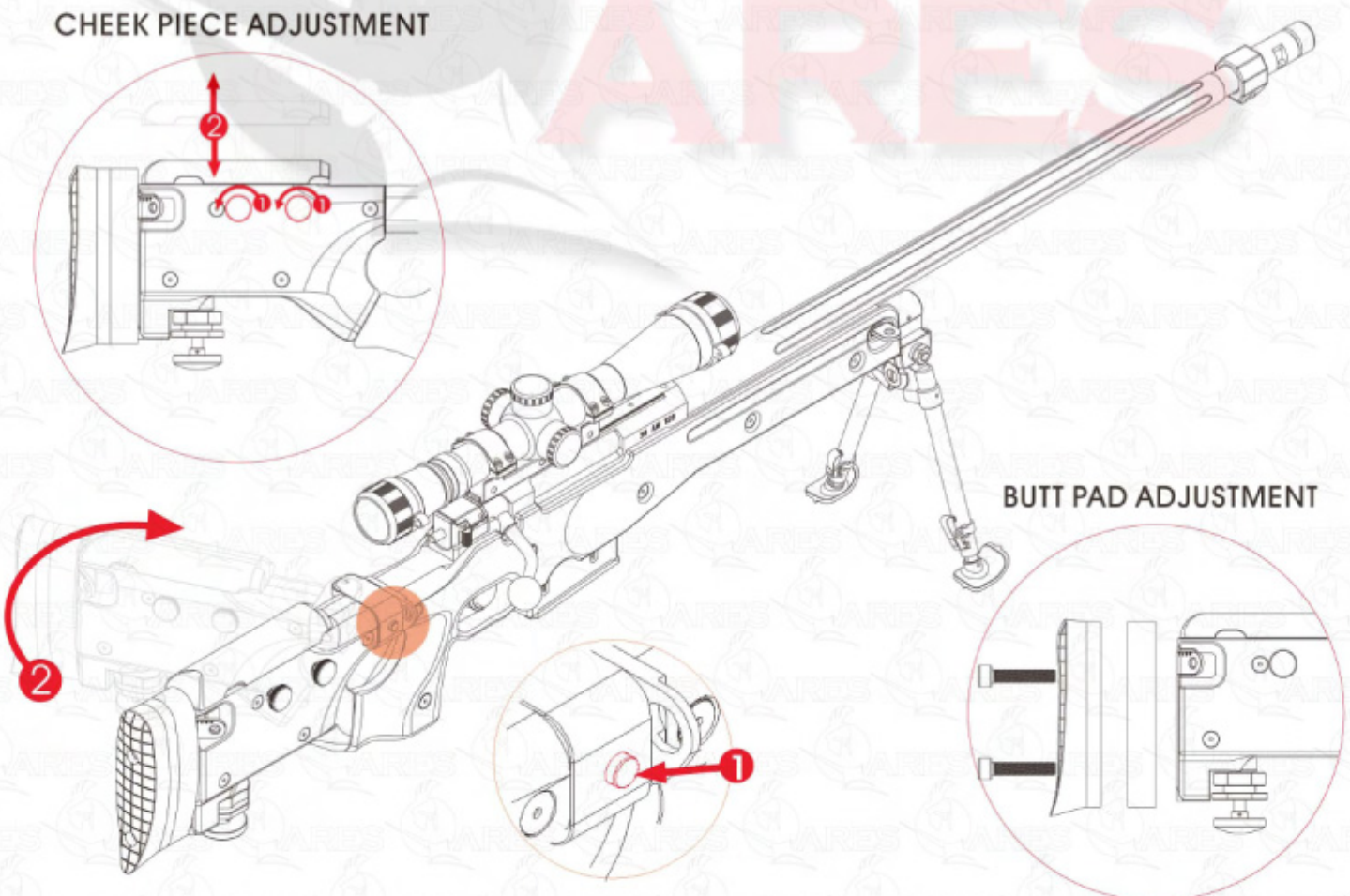
# UNDERPROP ADJUSTMENT



# BUTT SPIKE ADJUSTMENT

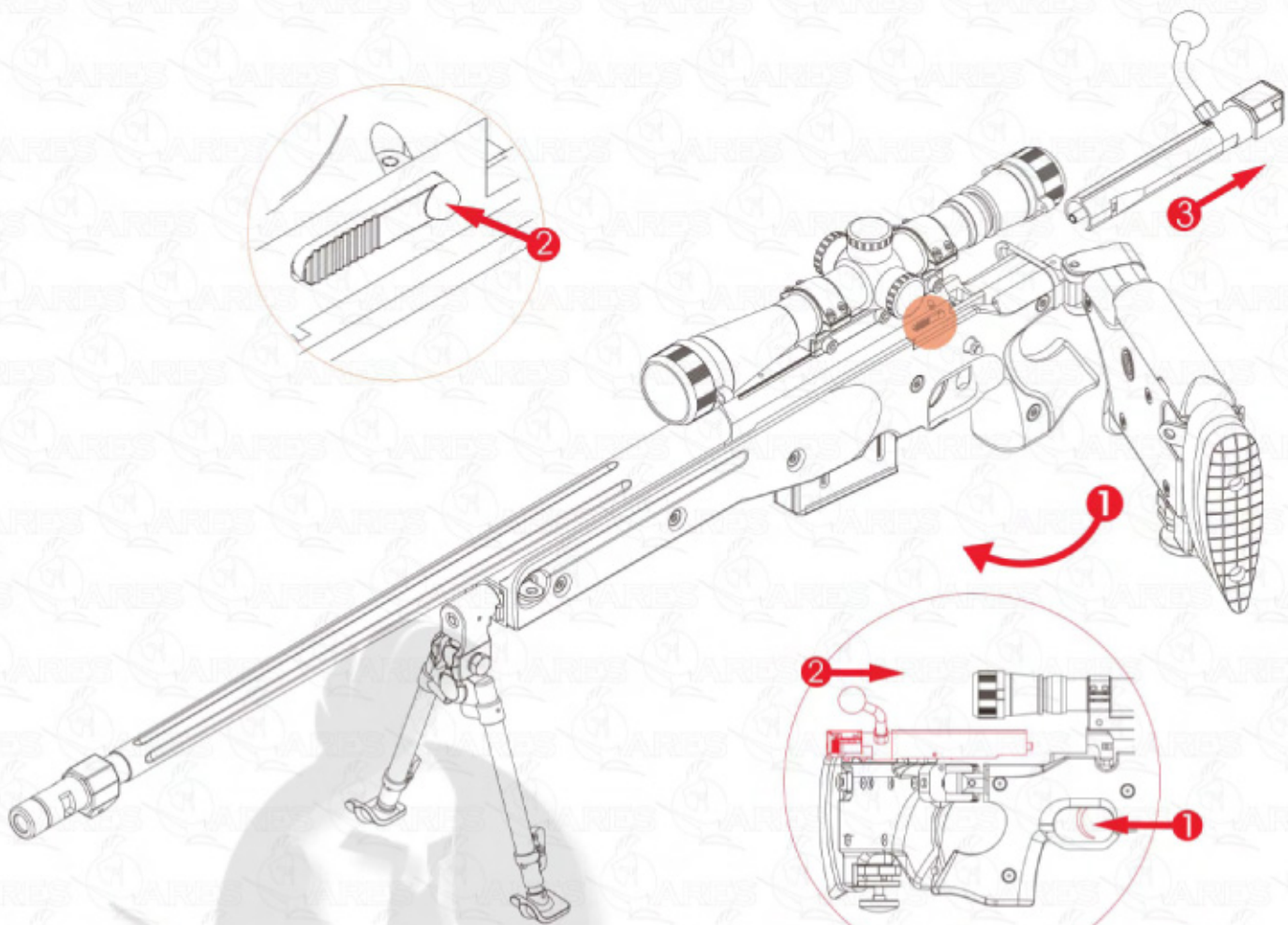


# FOLDING STOCK ADJUSTMENT



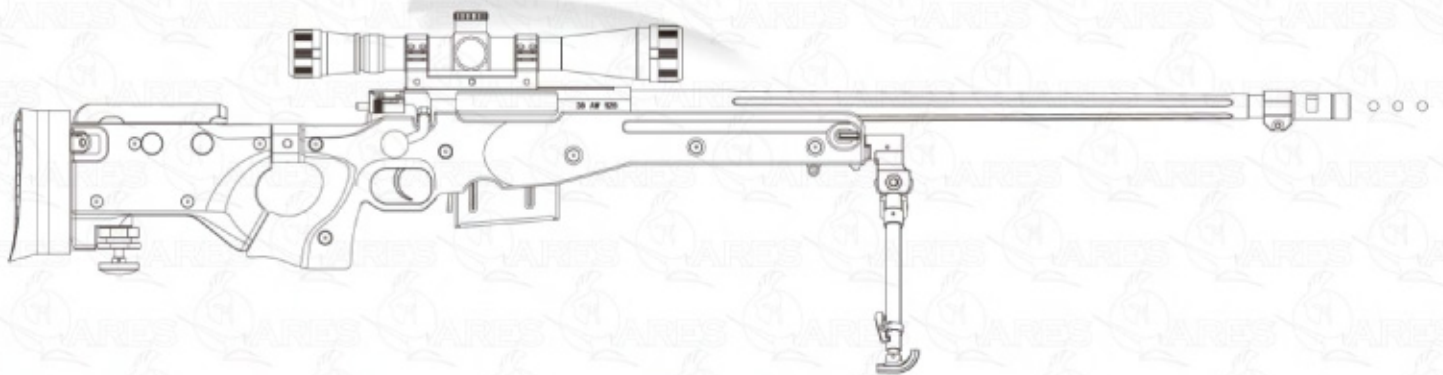


# BOLT DISASSEMBLE



**WARNING**

INSERT THE BOLT



- .Do not aim or shoot a person or animal as the target.
- .Avoid pulling the trigger carelessly.
- .Always put the gun in a case or bag when you carrying it.
- .Always set the switch lever to the safety position.
- .Do not look into the gun muzzle.
- .Always wear eye protective gear.
- .Store the airsoft gun at the places out of reach by children.
- .Do not disassemble or modify the airsoft gun.

# **DATA OF ARES AW338**

## **MID-RANGE SNIPER RIFLE**

**MATERIAL: NYLON & ALUMINUM ALLOY**

**HOPUP SYSTEM: MATCH GRADE ADJUSTABLE**

**LENGTH: 1020-1240MM**

**WEIGHT: 4800G**

**MAGAZINE CAPACITY: 20 ROUNDS**

**BULLET: 6MM BB BULLETS**

**GAS POWER: HFC134A OR GREEN ONLY**

