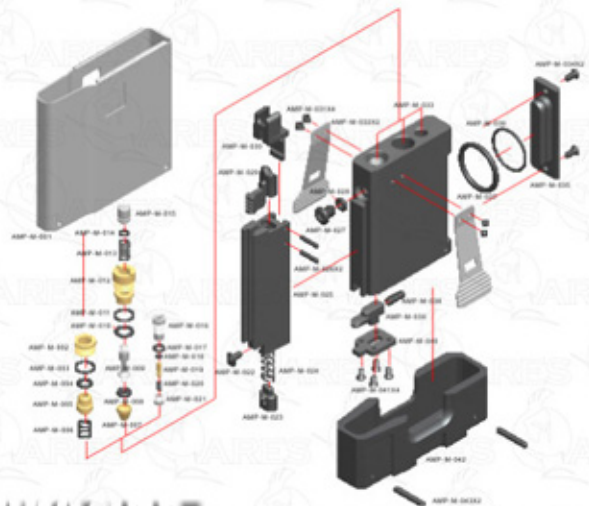
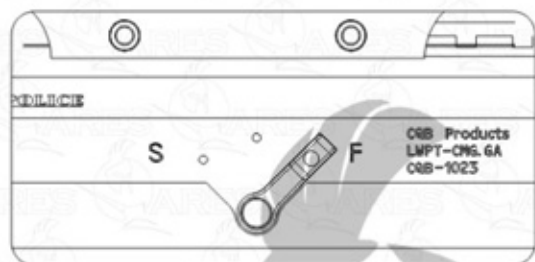
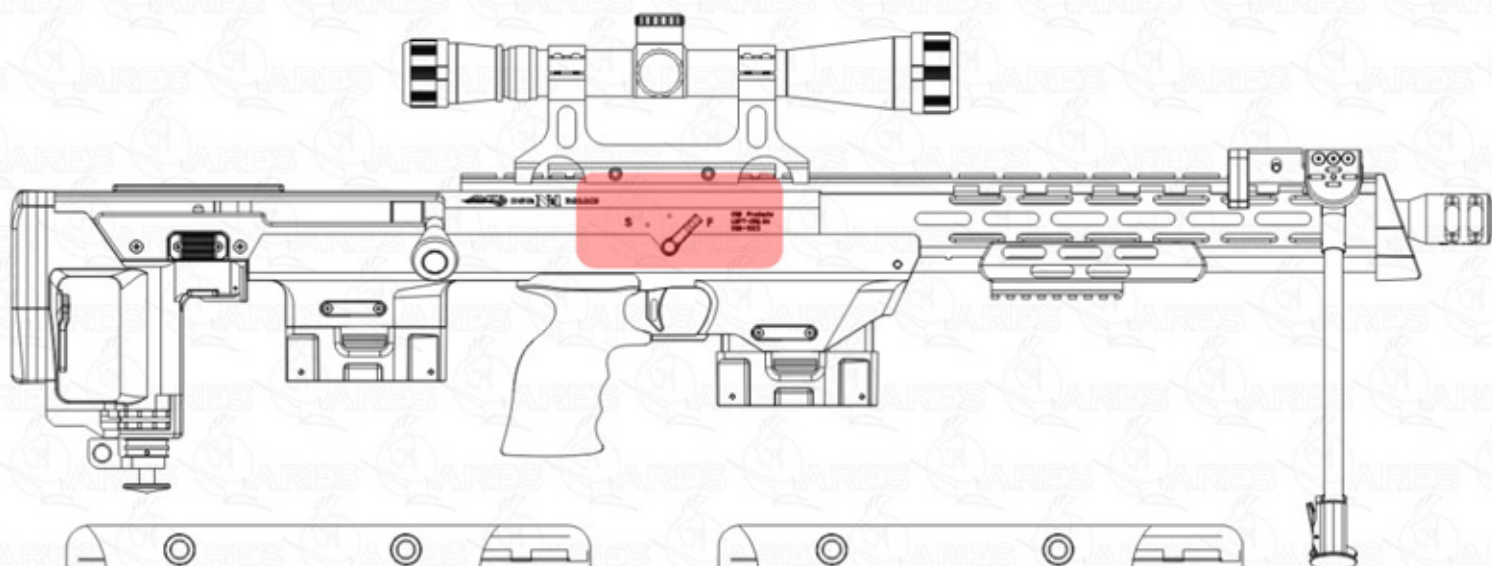


BOLT

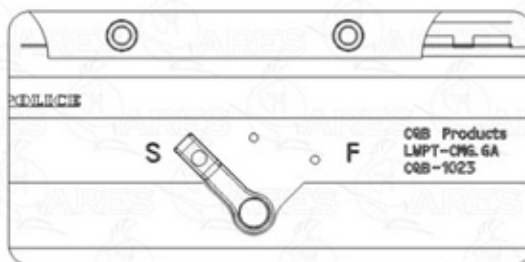


MAGAZINE

FIRING MODE

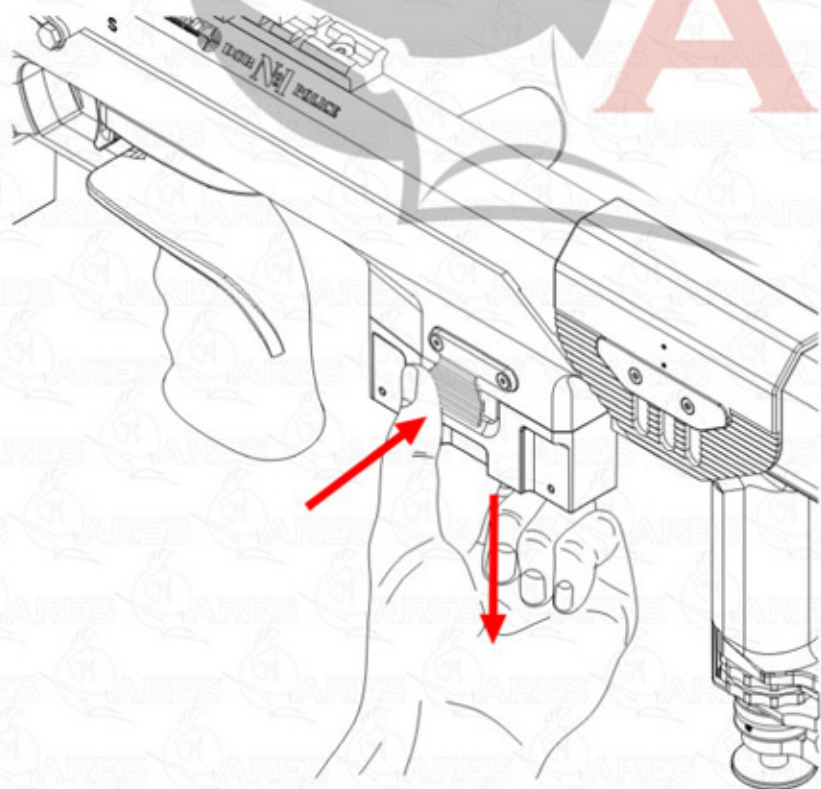


FIRING POSITION

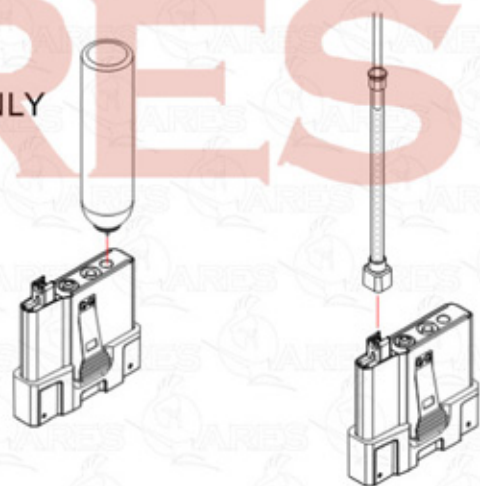


SAFETY POSITION

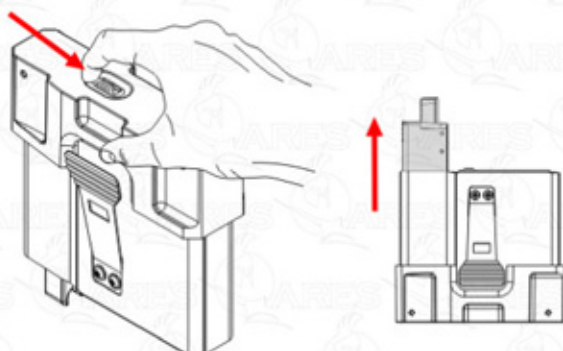
SETTING THE MAGAZINE



134a ONLY



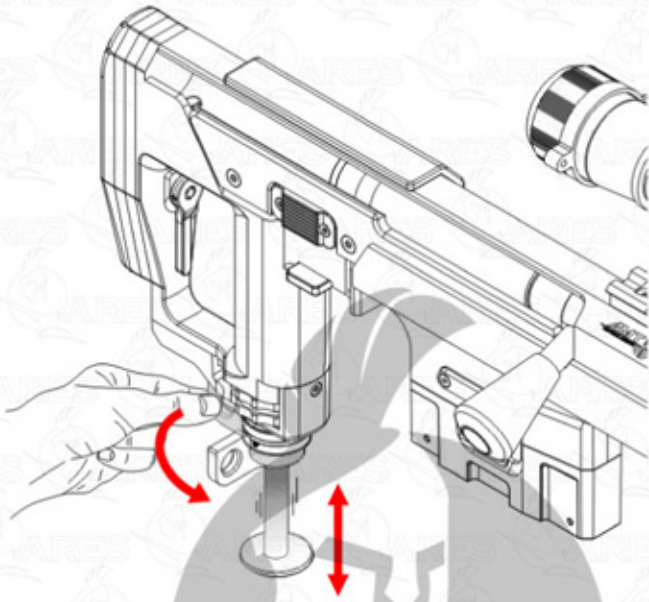
22RDS MAG



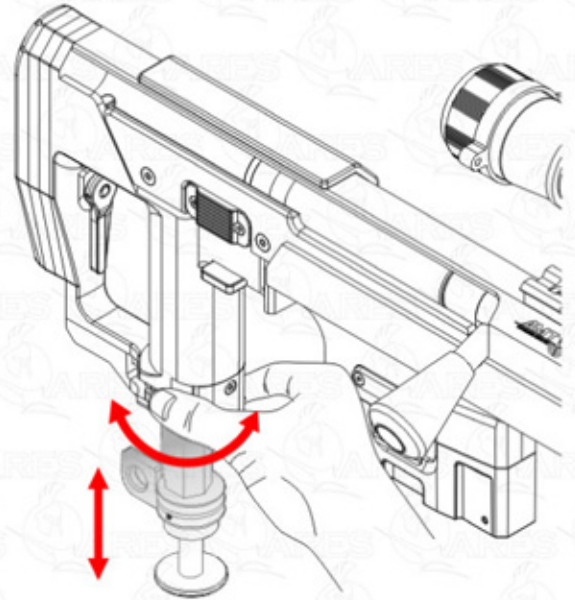
REMOVABLE MAG. STRIP

ERGONOMICS OF THE BUTT STOCK

FAST EJECT

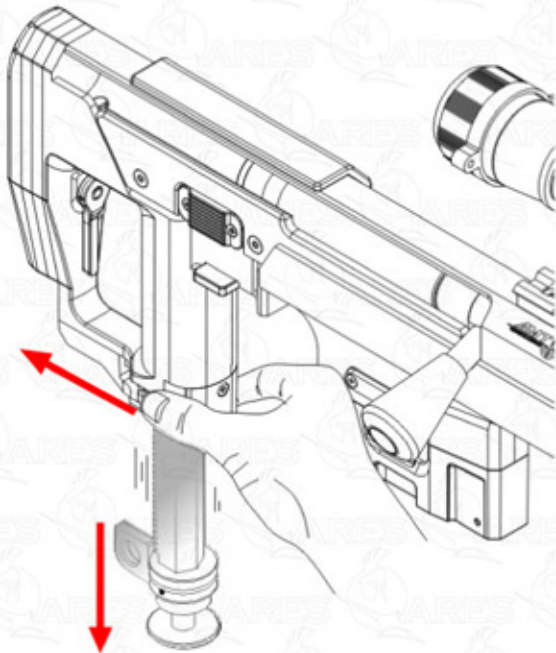


FINE TUNE

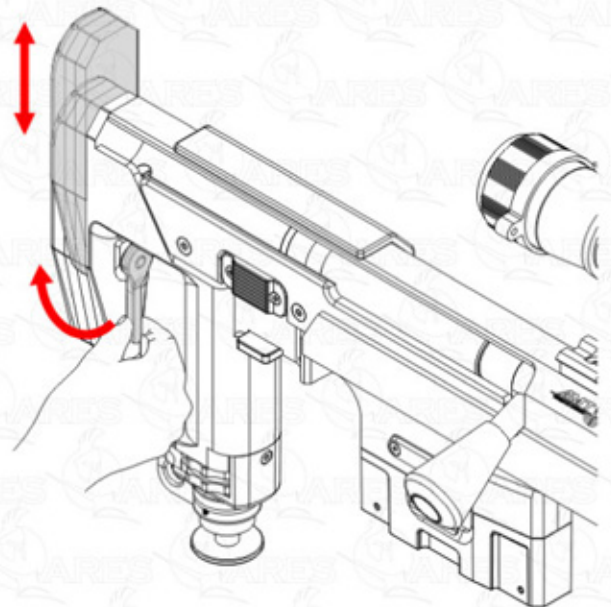


ARES

FAST EXTEND

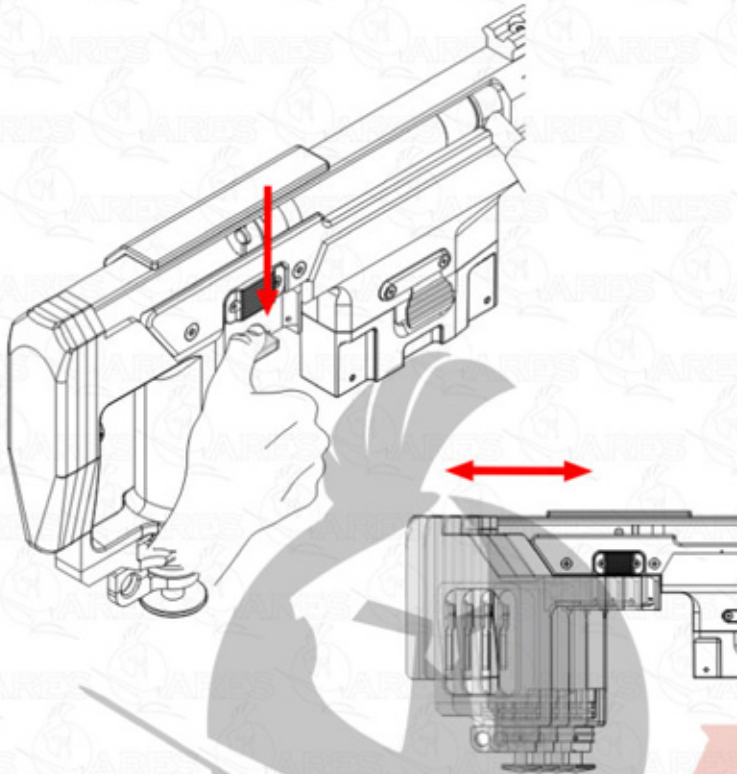


BUTT PLATE SETTING

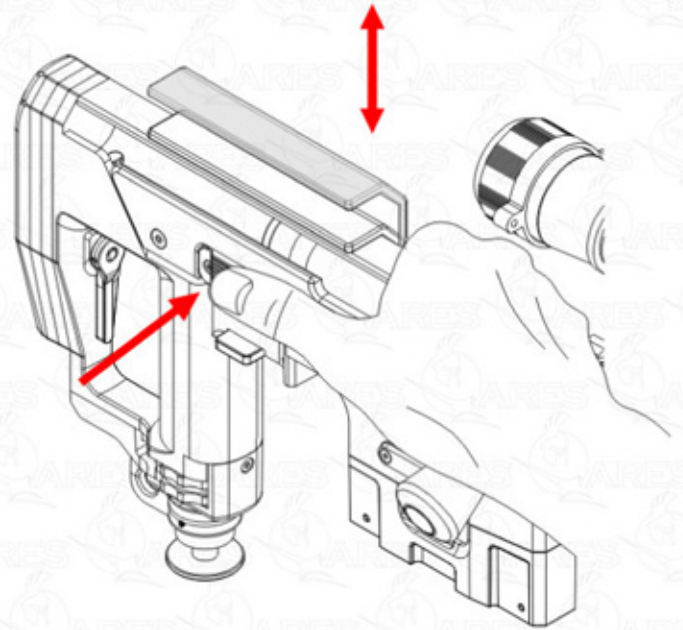


BUTT STOCK ADJUSTMENT

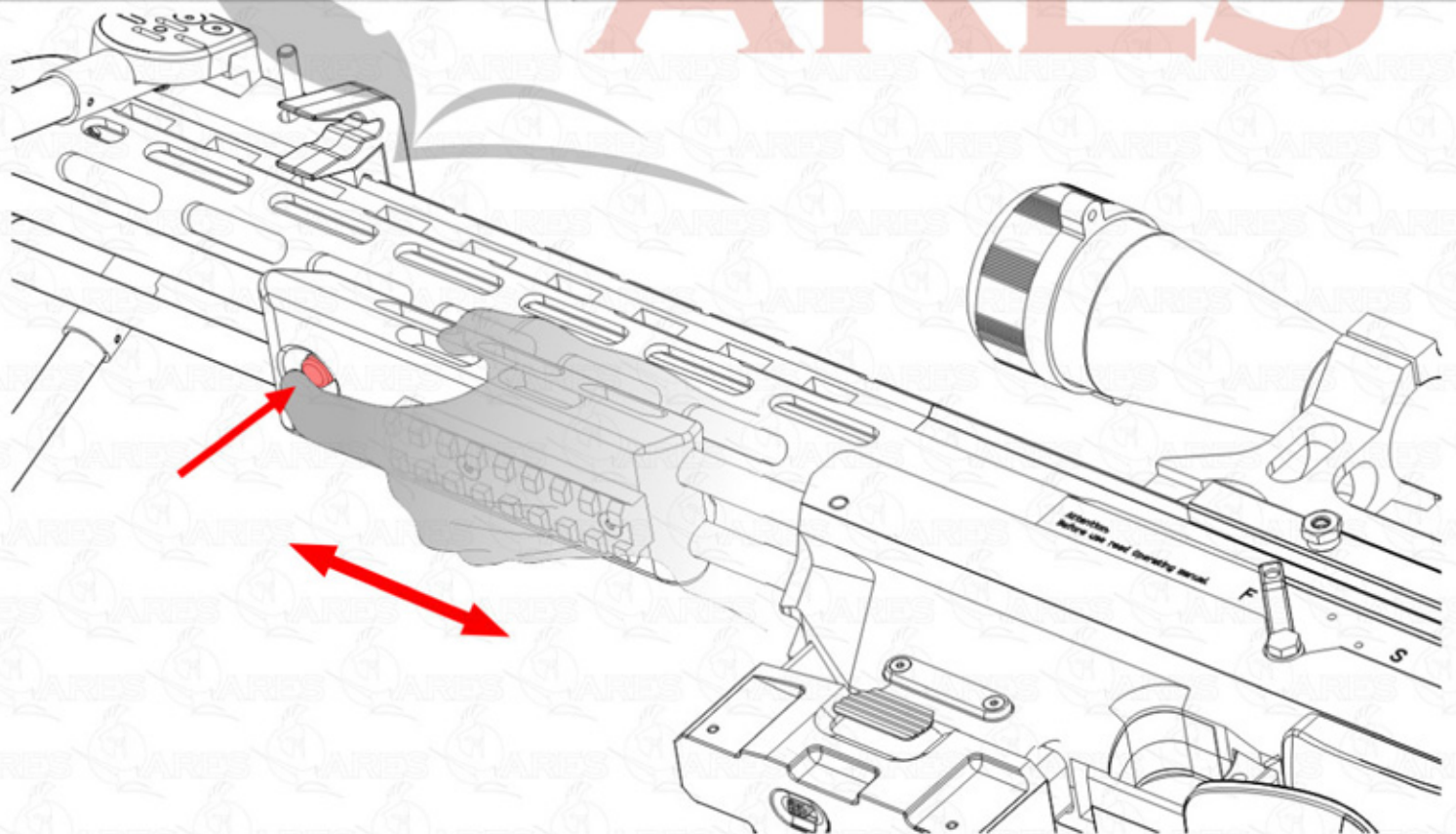
BUTT STOCK EXTEND



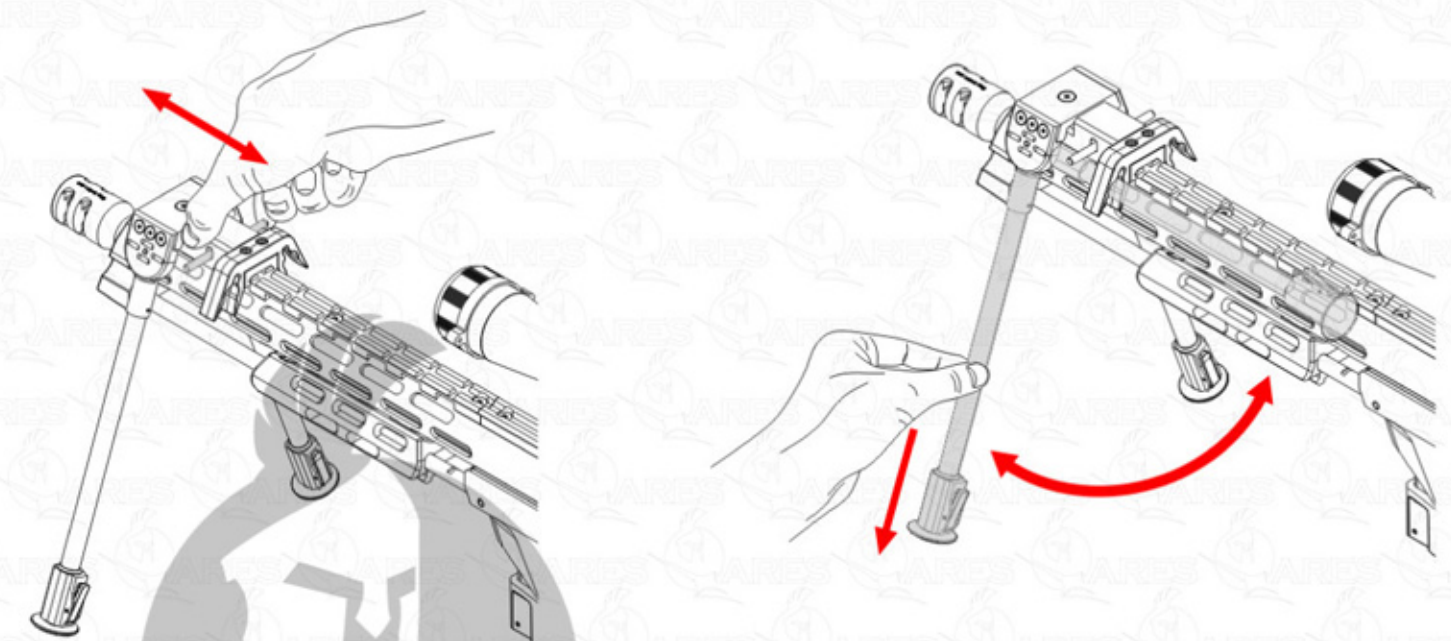
CHEEK PAD ADJUSTMENT



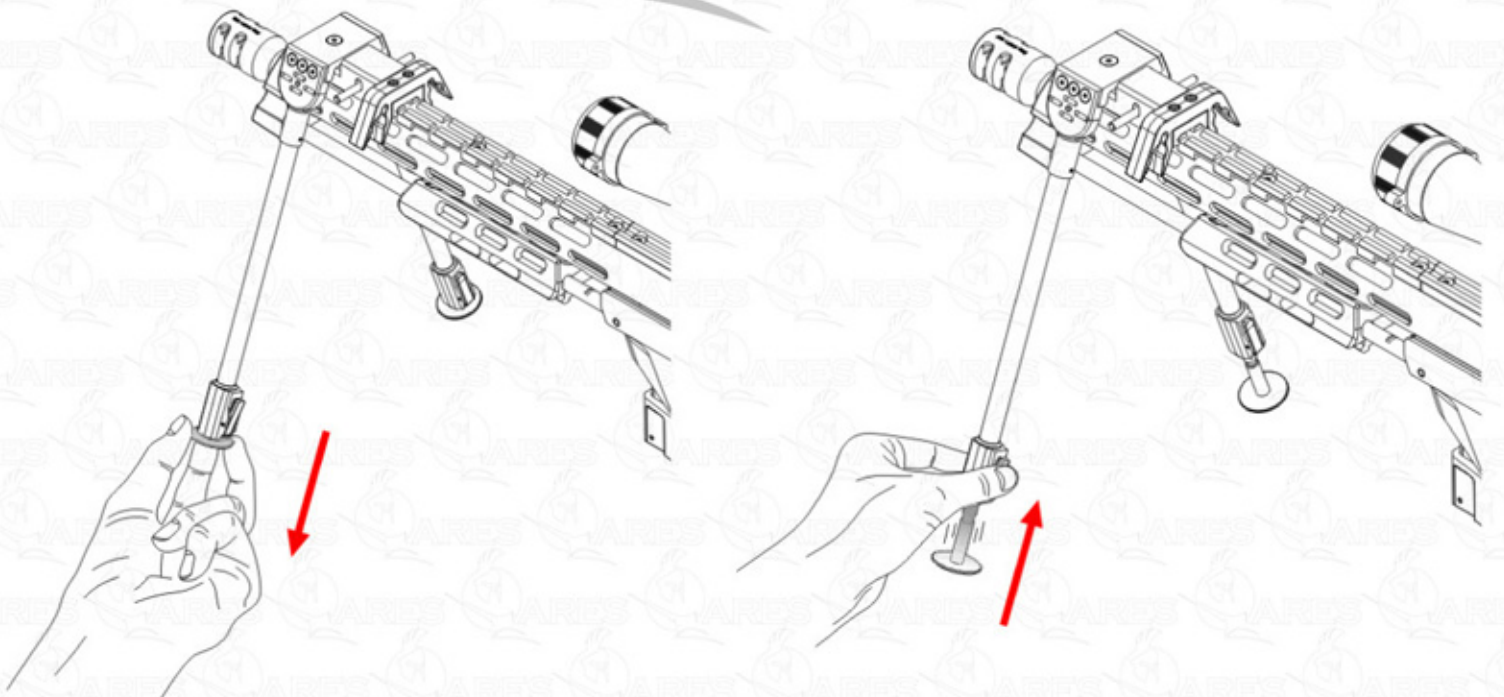
ADJUSTABLE FORE-END



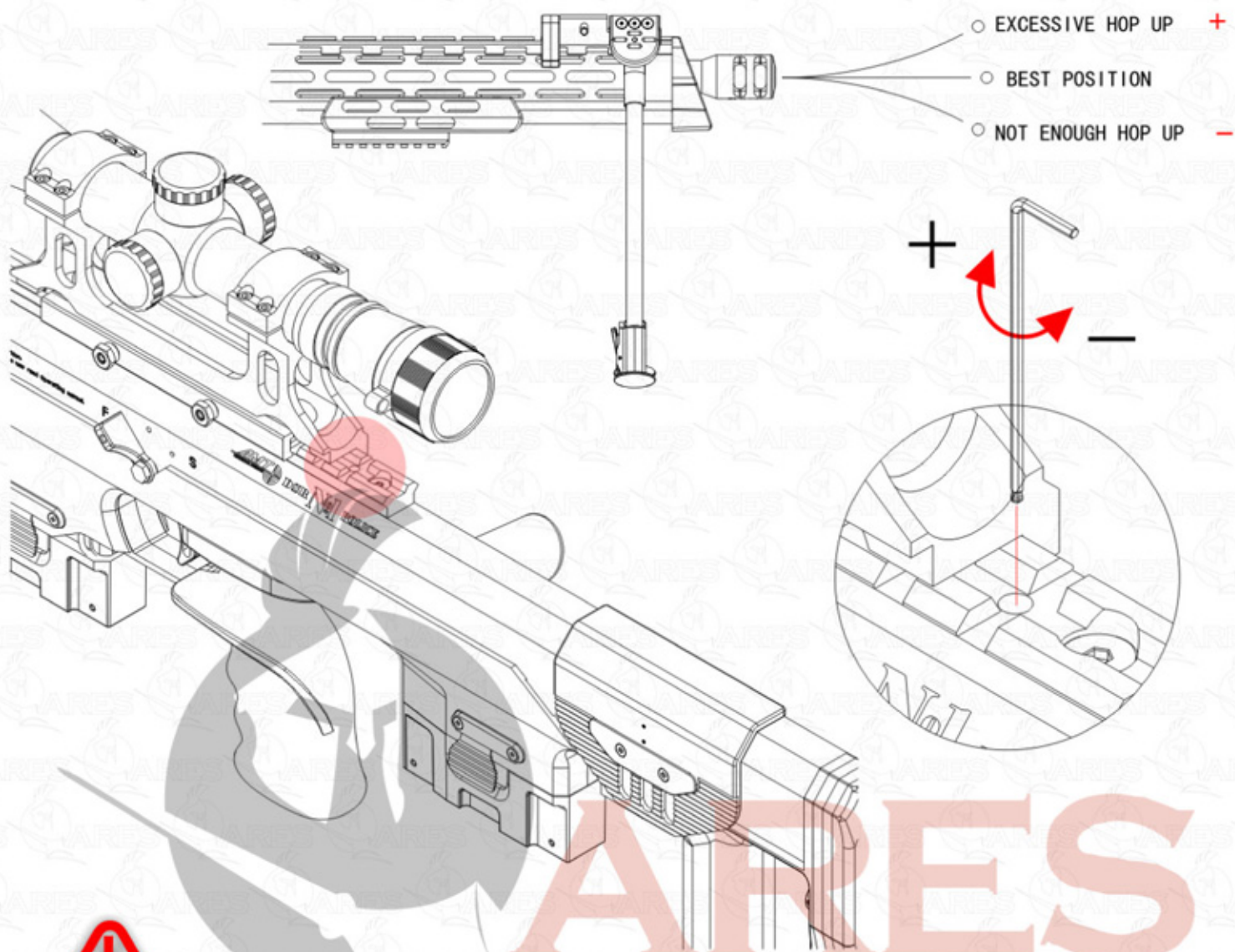
ADJUSTABLE BIPOD



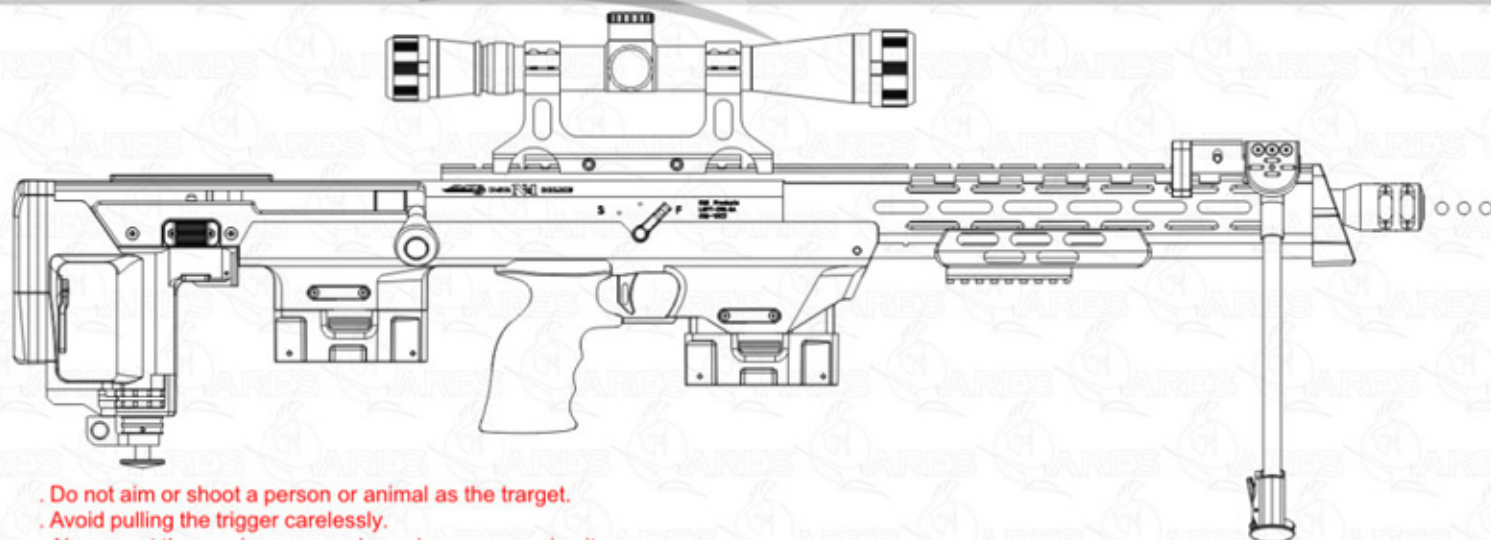
ARES



HOP-UP ADJUSTMENT



WARNING



- Do not aim or shoot a person or animal as the target.
- Avoid pulling the trigger carelessly.
- Always put the gun in a case or bag when you carrying it.
- Always set the switch lever to the safety position.
- Do not look into the gun muzzle.
- Always wear eye protective gear.
- Store the airsoft gun at the places out of reach by children.
- Do not disassemble or modify the airsoft gun.

DATA OF DSR-1 GAS POWER GUN

MATERIAL: NYLON FIBER & ALUMINIUM ALLOY

HOPUP SYSTEM: ADJUSTABLE

LENGTH: 960-1100MM

WEIGHT: 6900G (FULL LOADED)

MAGAZINE CAPACITY: 22 ROUNDS X 2

BULLET: 6MM BB BULLETS

GAS POWER: 134a ONLY

