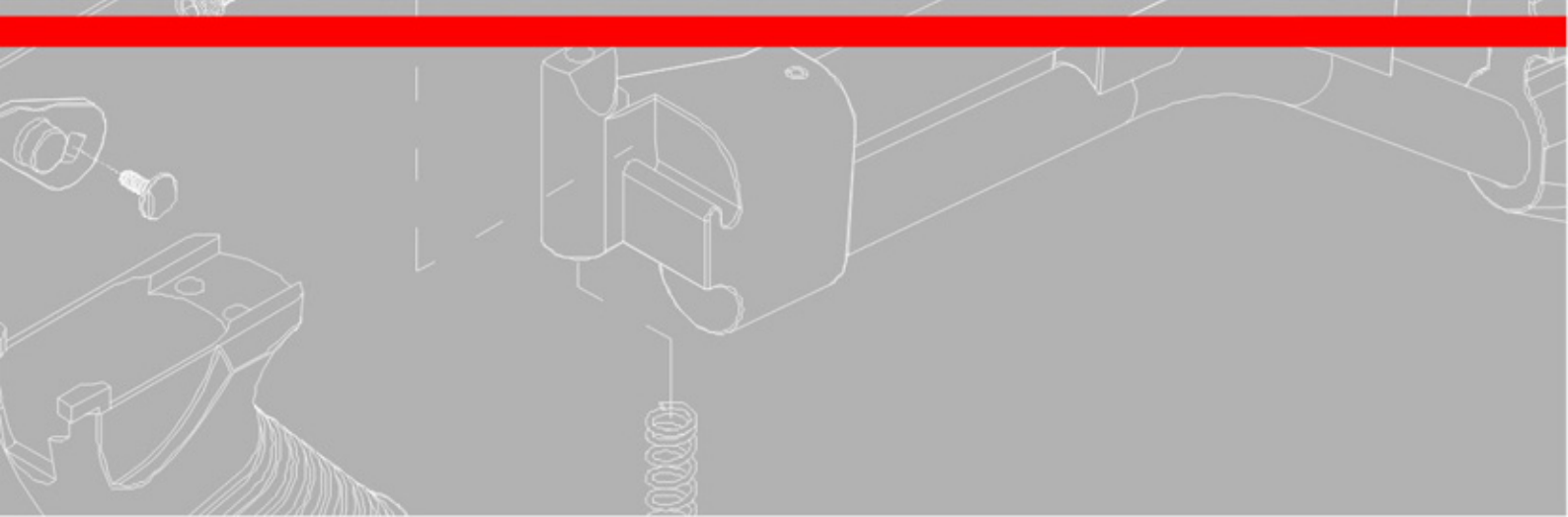
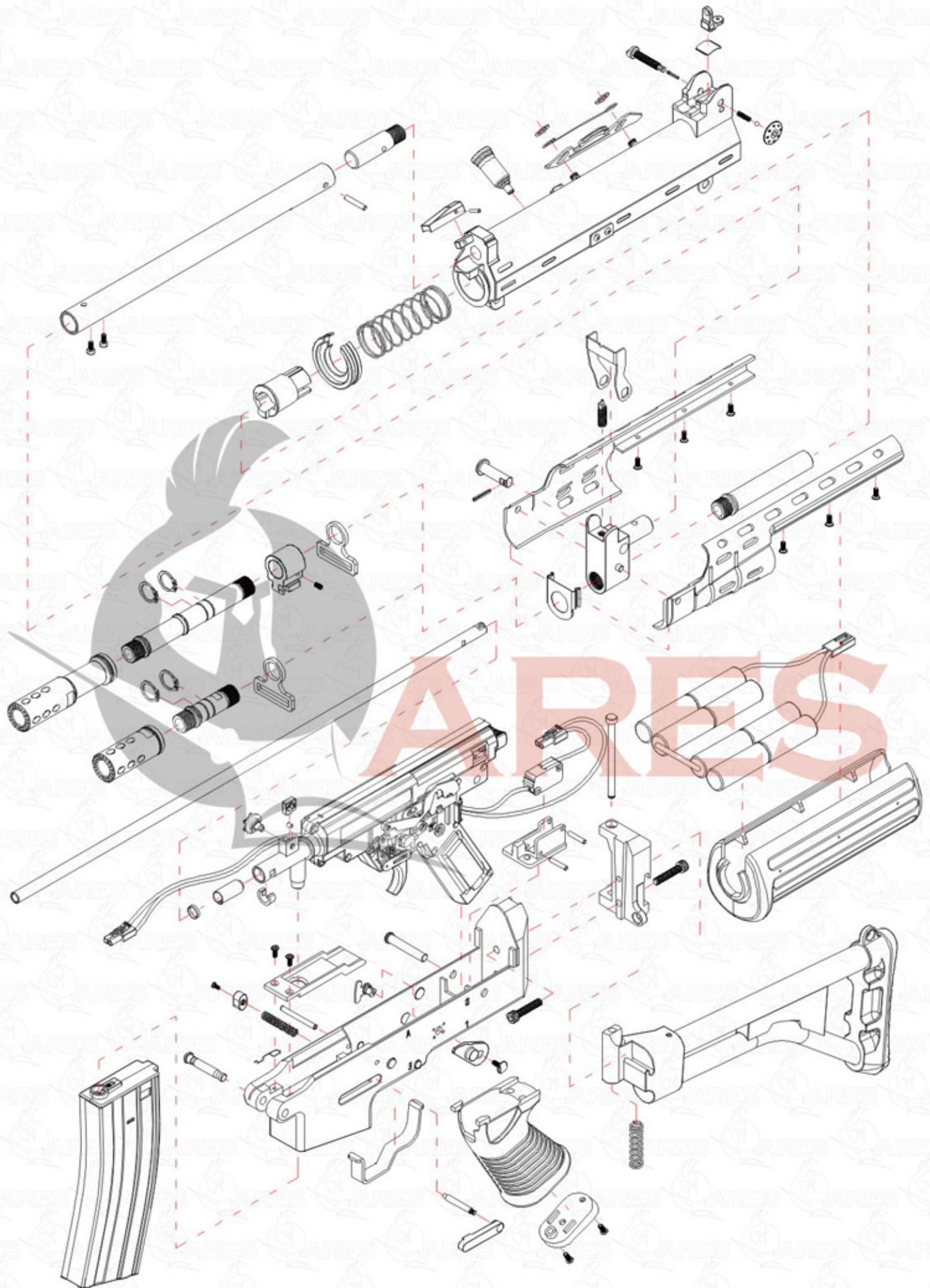


FN FN G



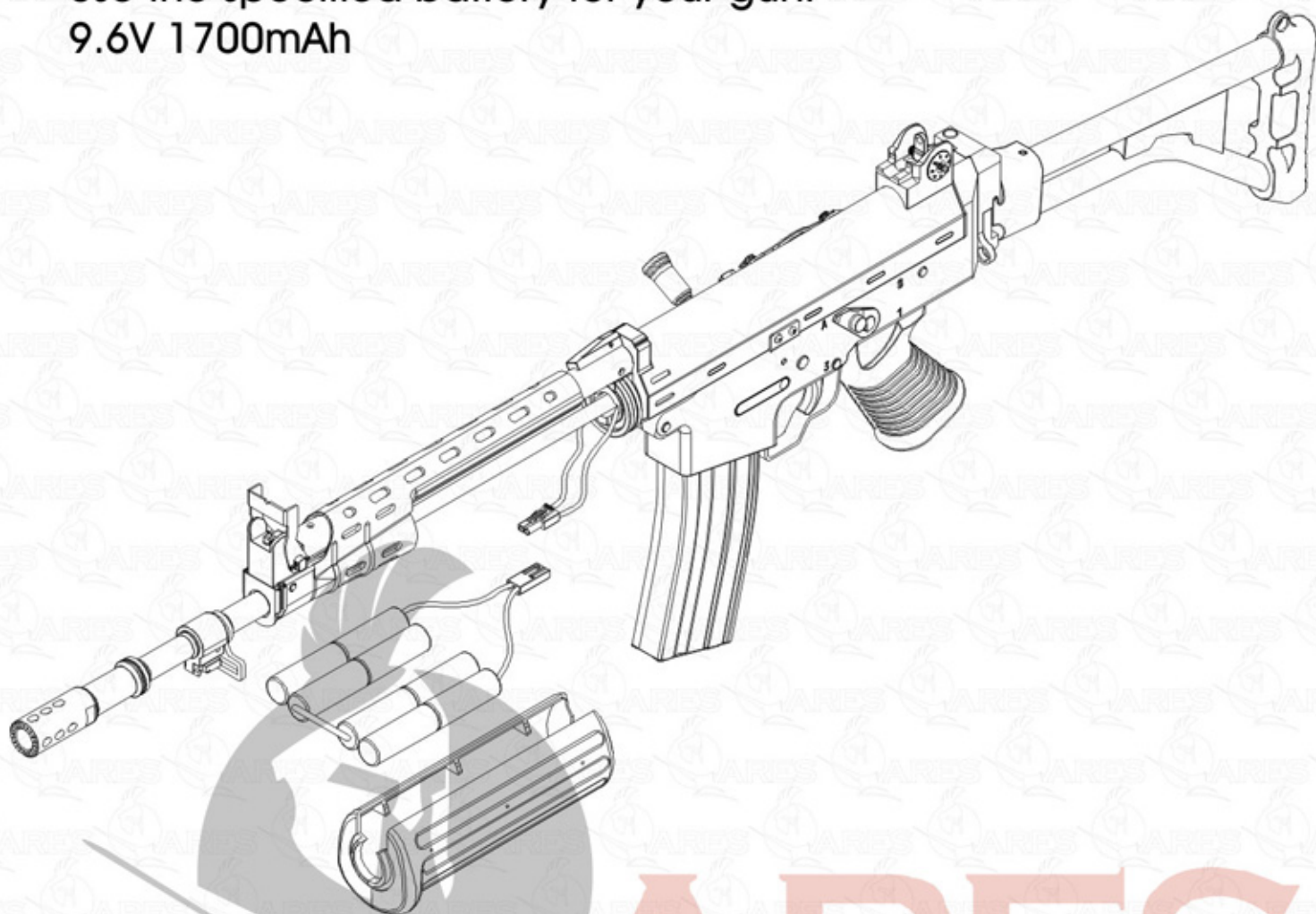
ARES FN FNC



Insert the battery

Use the specified battery for your gun.

9.6V 1700mAh



Setting the magazine



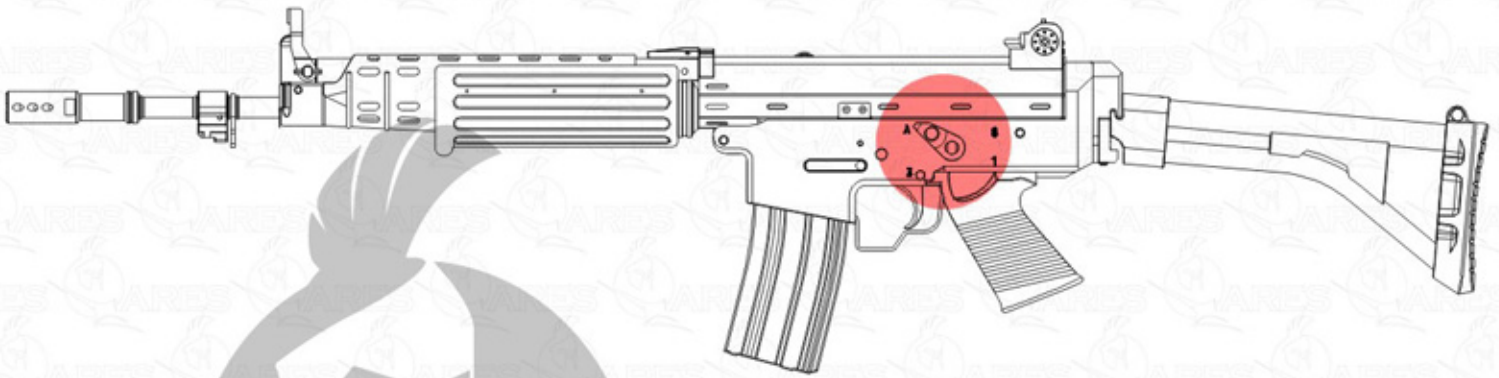
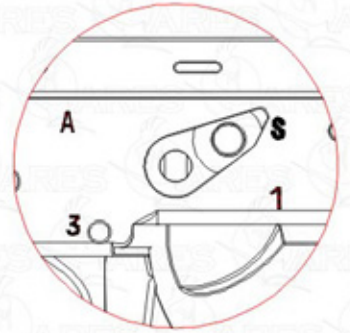
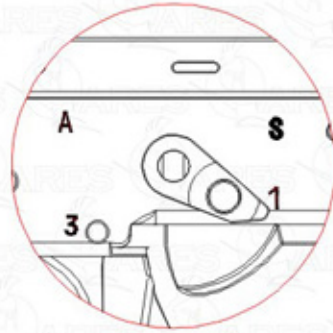
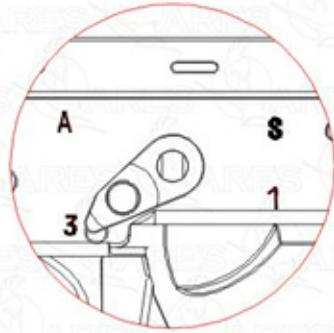
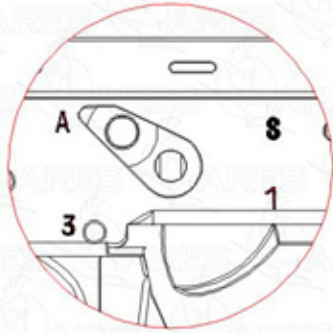
Firing mode

Auto

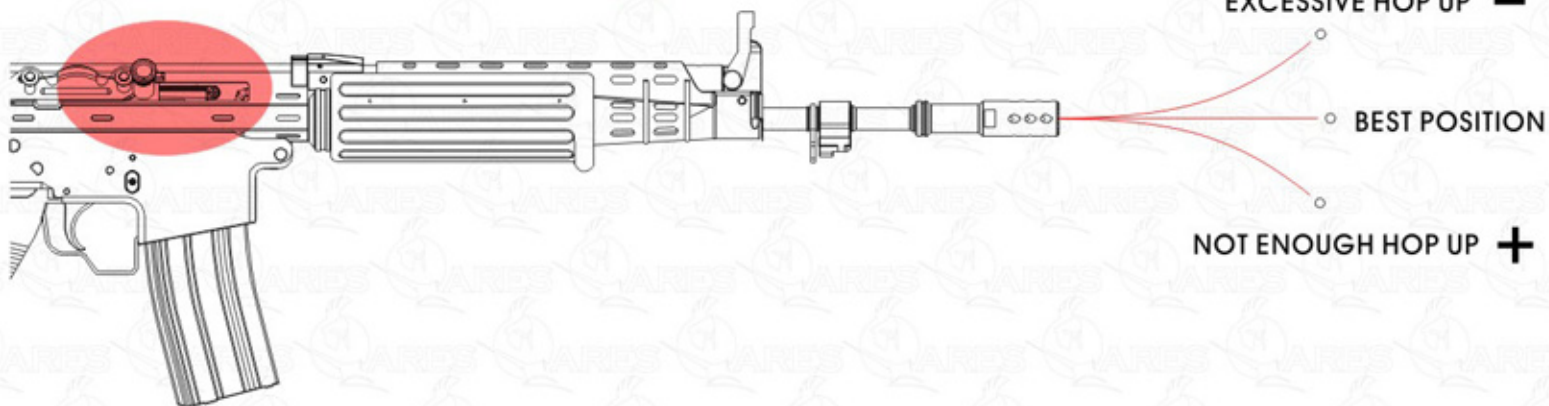
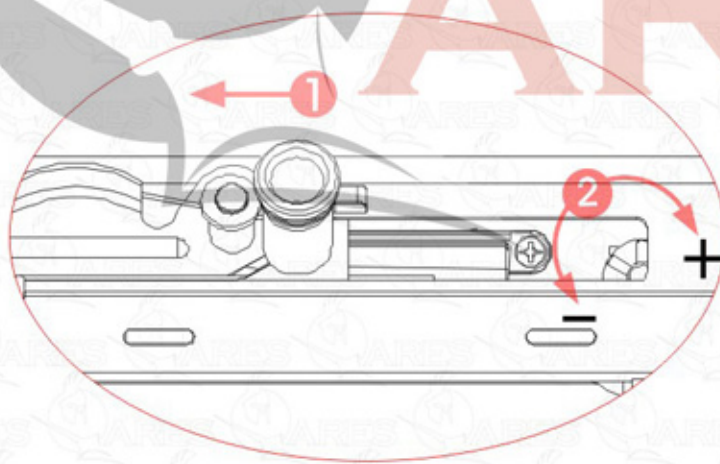
Burst

Single

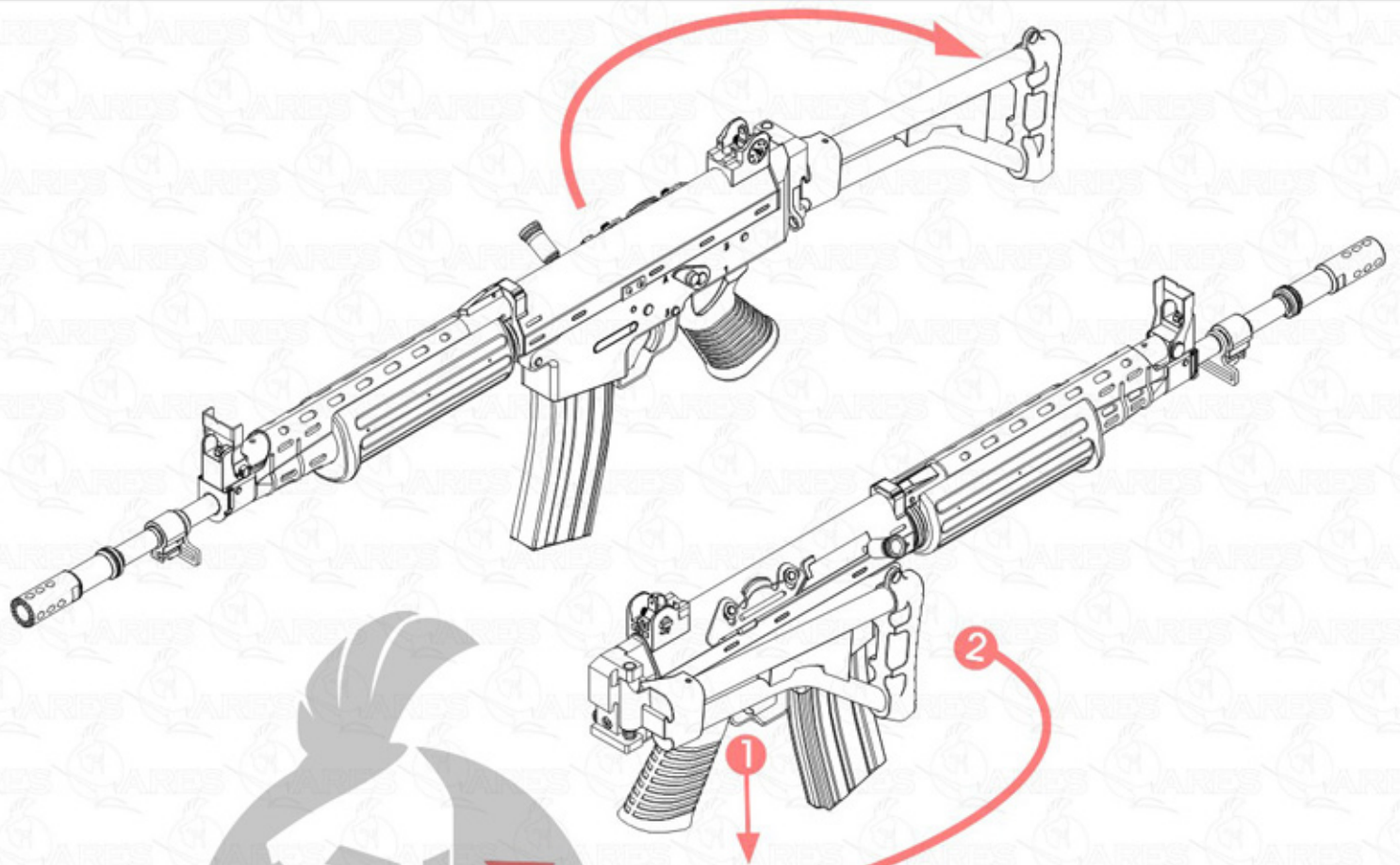
Safety



Hop-up adjustment



Folding Stock



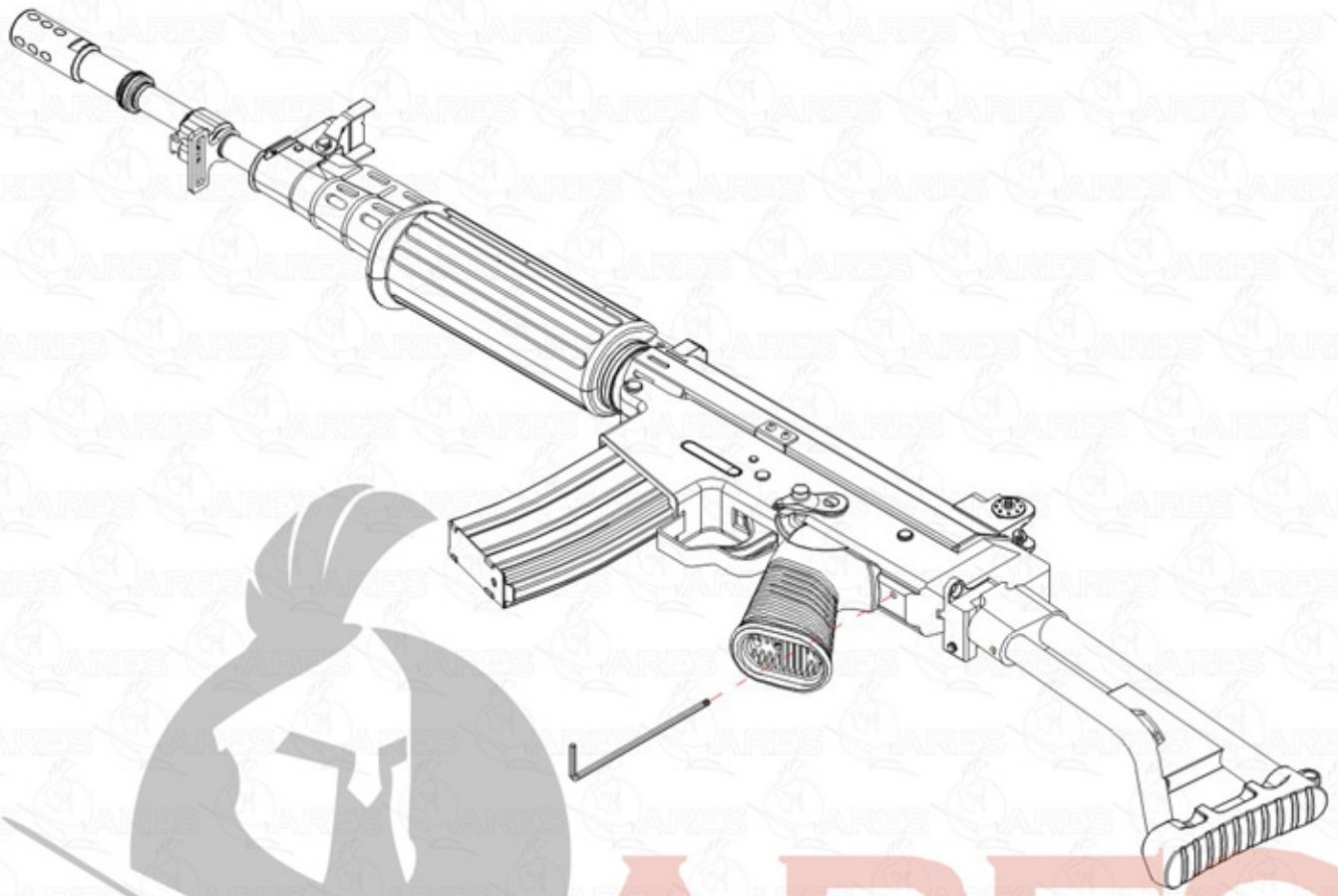
WARNING

ARES



- .Do not aim or shoot a person or animal as the target.
- .Avoid pulling the trigger carelessly.
- .Always put the gun in a case or bag when you carrying it.
- .Always set the switch lever to the safety position.
- .Do not look into the gun muzzle.
- .Always wear eye protective gear.
- .Store the airsoft gun at the places out of reach by children.
- .Do not disassemble or modify the airsoft gun.

Bipod setting & Reddot sight battery install



Optional accessories

ARES

DATA OF ARES FN FNC ELECTRIC GUN

MATERIAL: NYLON FIBER & ZINC ALLOY

HOPUP SYSTEM: ADJUSTABLE

LENGTH: 710MM/836MM

WEIGHT: 4235G

MAGAZINE CAPACITY: 130 ROUNDS

BULLET: 6MM BB BULLETS

BATTERY: 9.6V 1700MAH

MOTOR: HIGH TORQUE FLAT MOTOR

