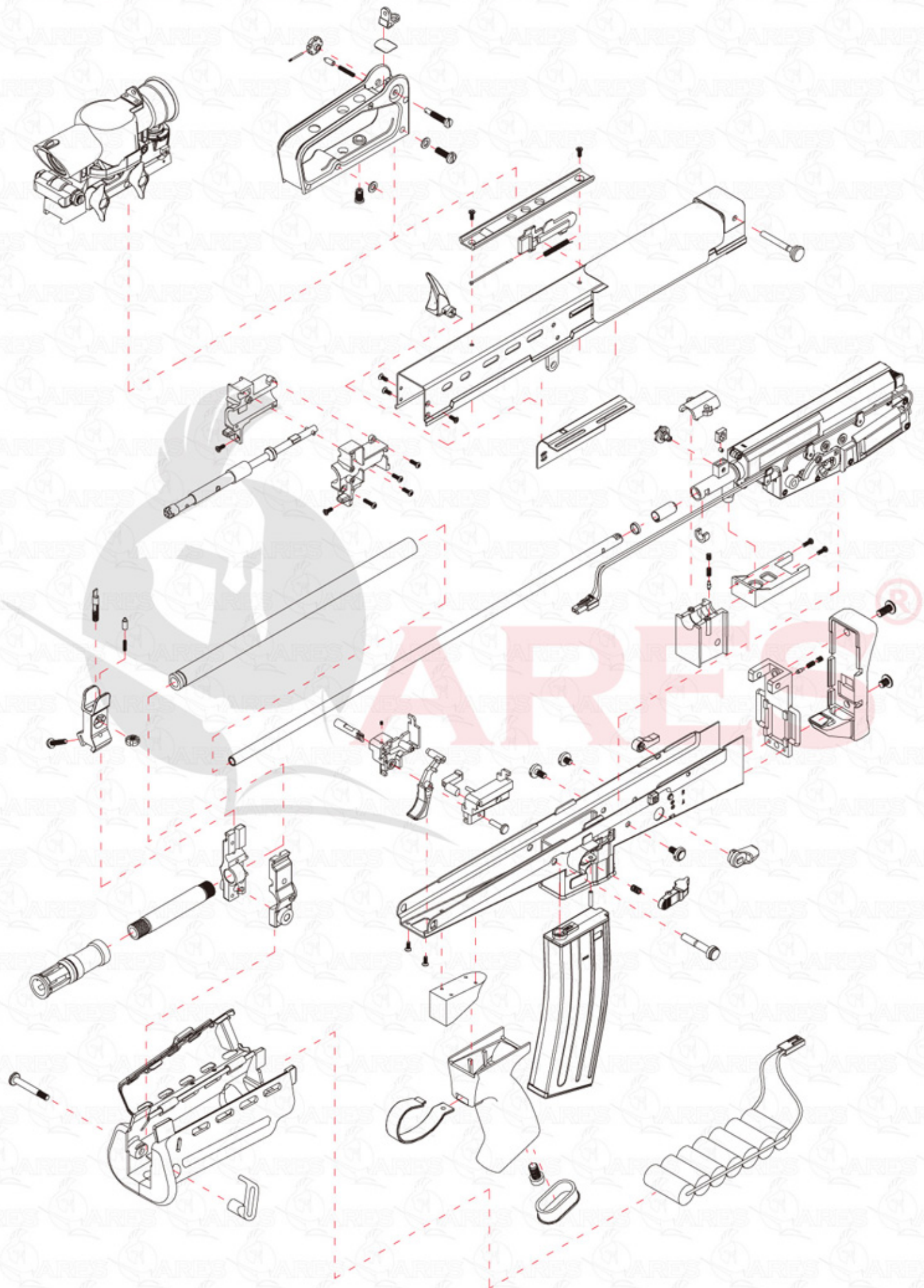


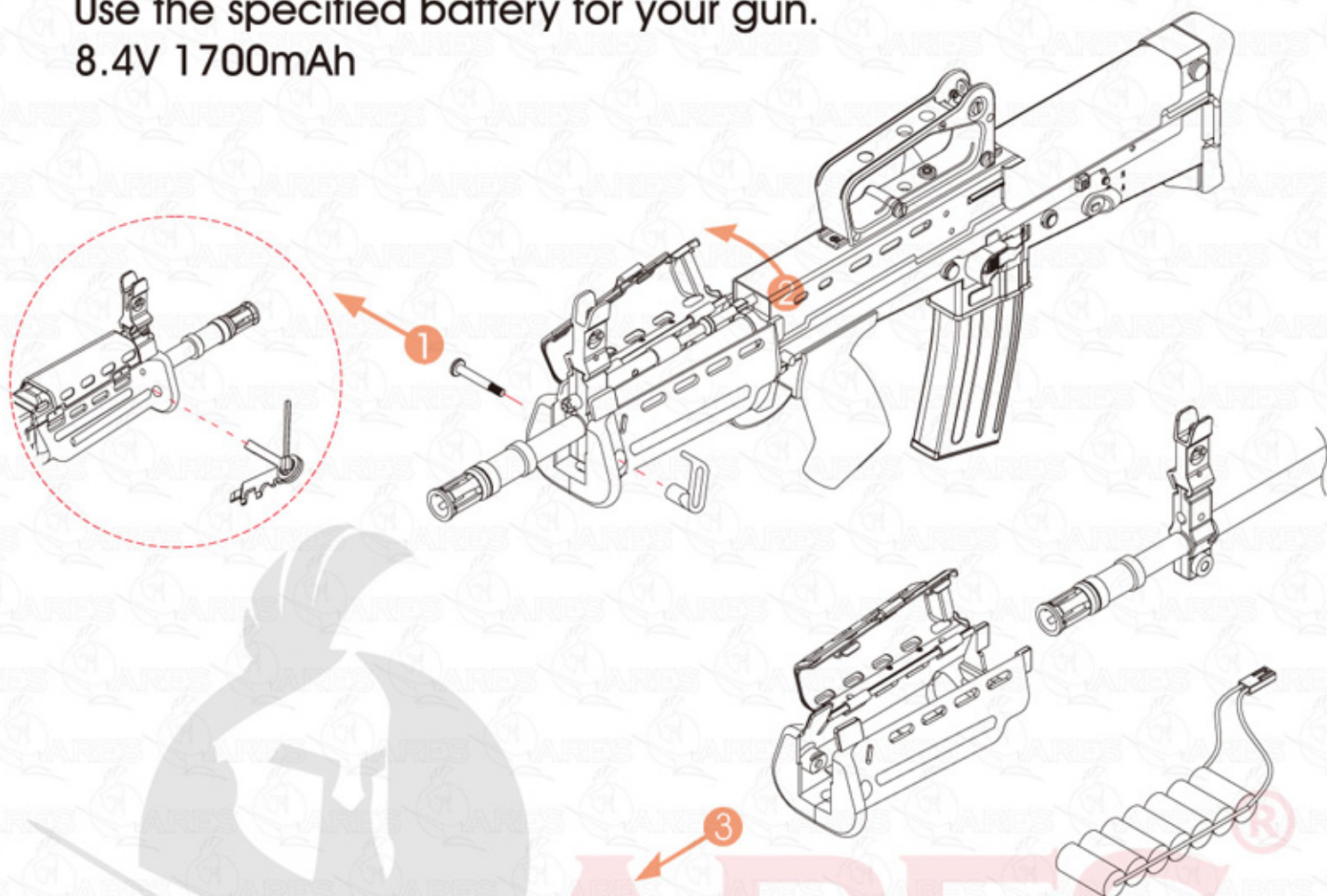
ARES L85 A2 CARBINE



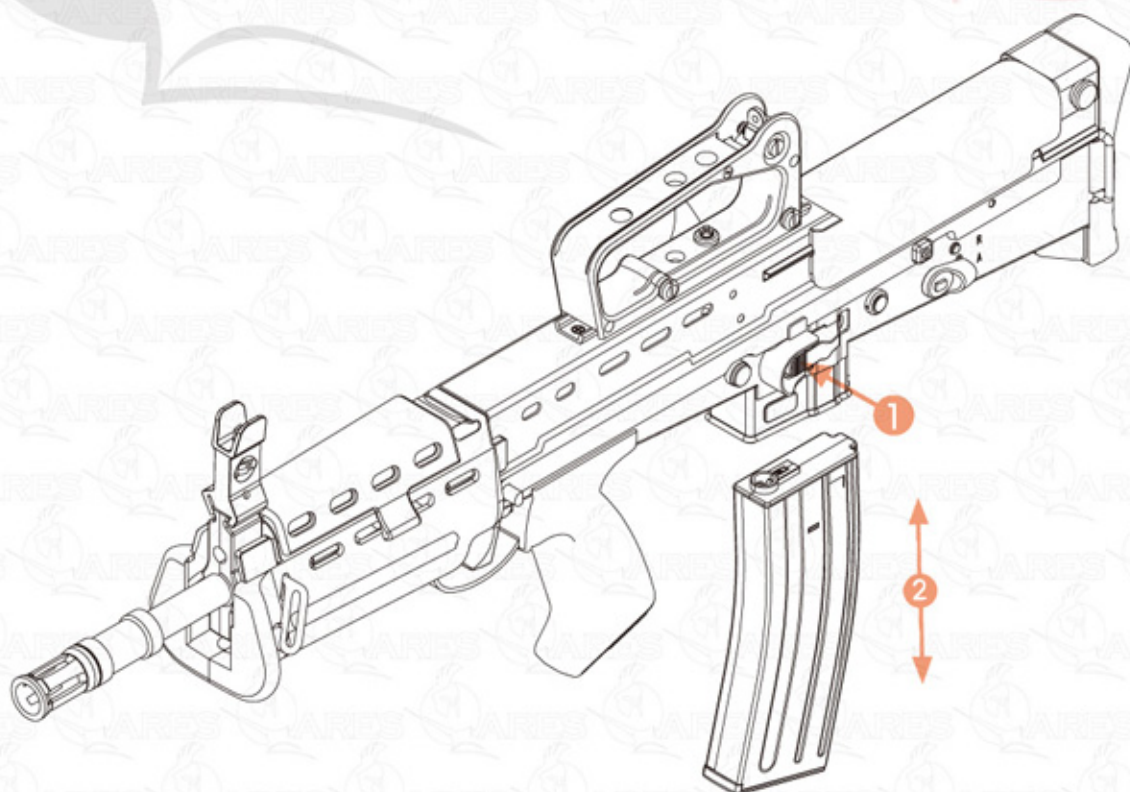
Insert the battery

Use the specified battery for your gun.

8.4V 1700mAh



Setting the magazine

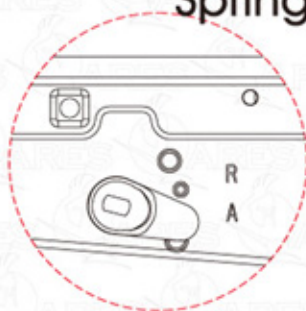
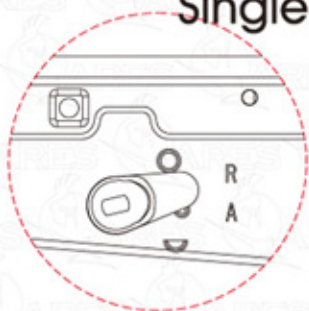


Firing mode

Single

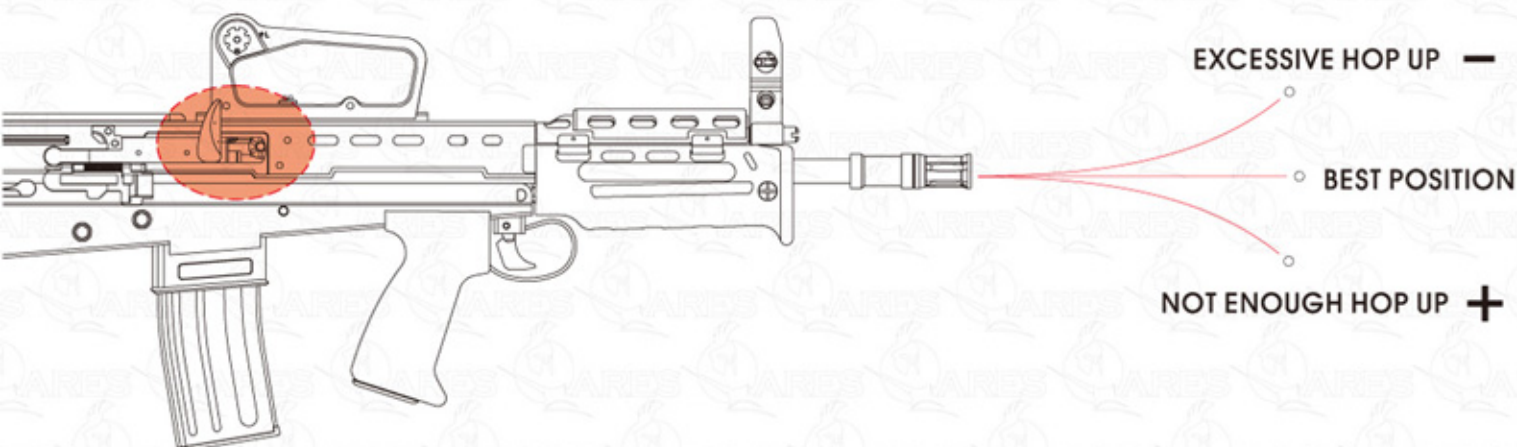
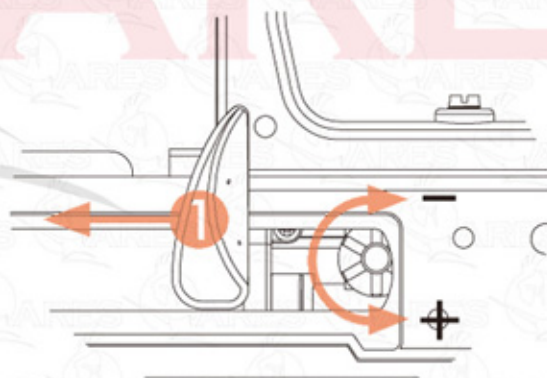
Auto

Spring release

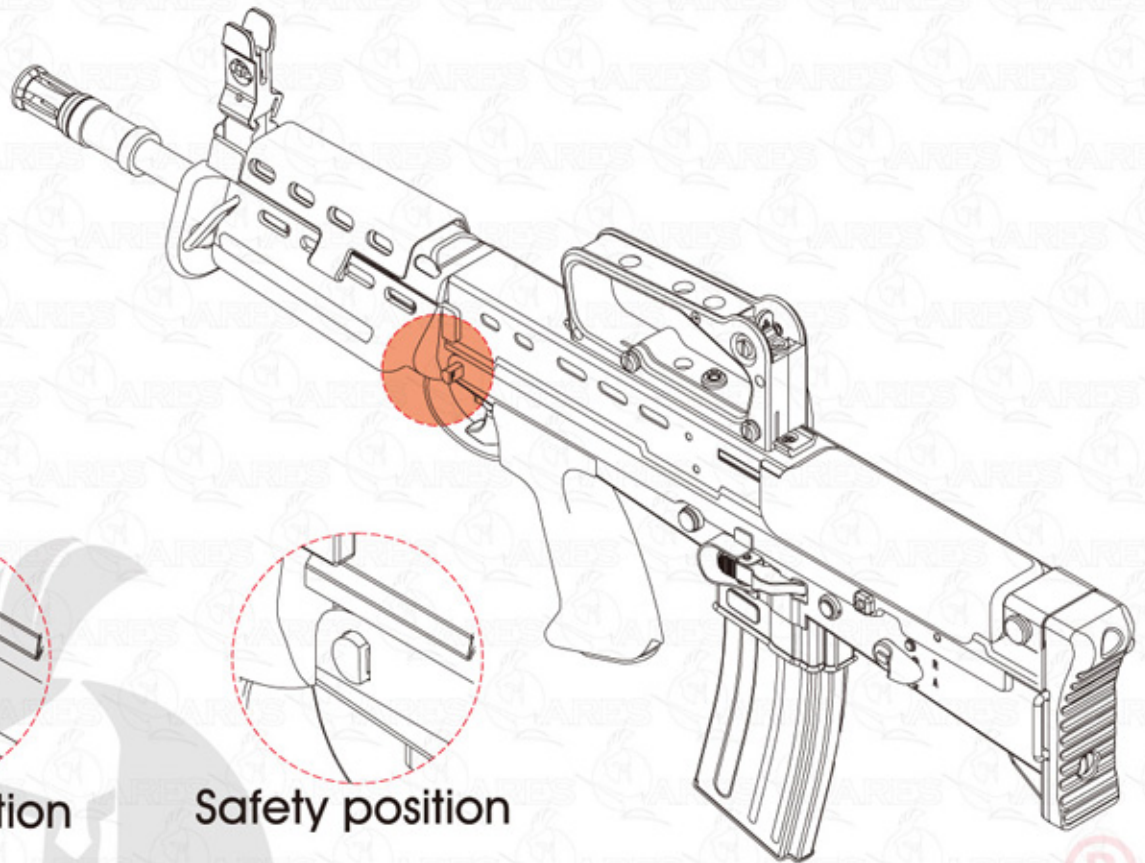


* Must to pull the sector back to R or A position after released the spring

Hop-up adjustment



Safety



Firing position

Safety position



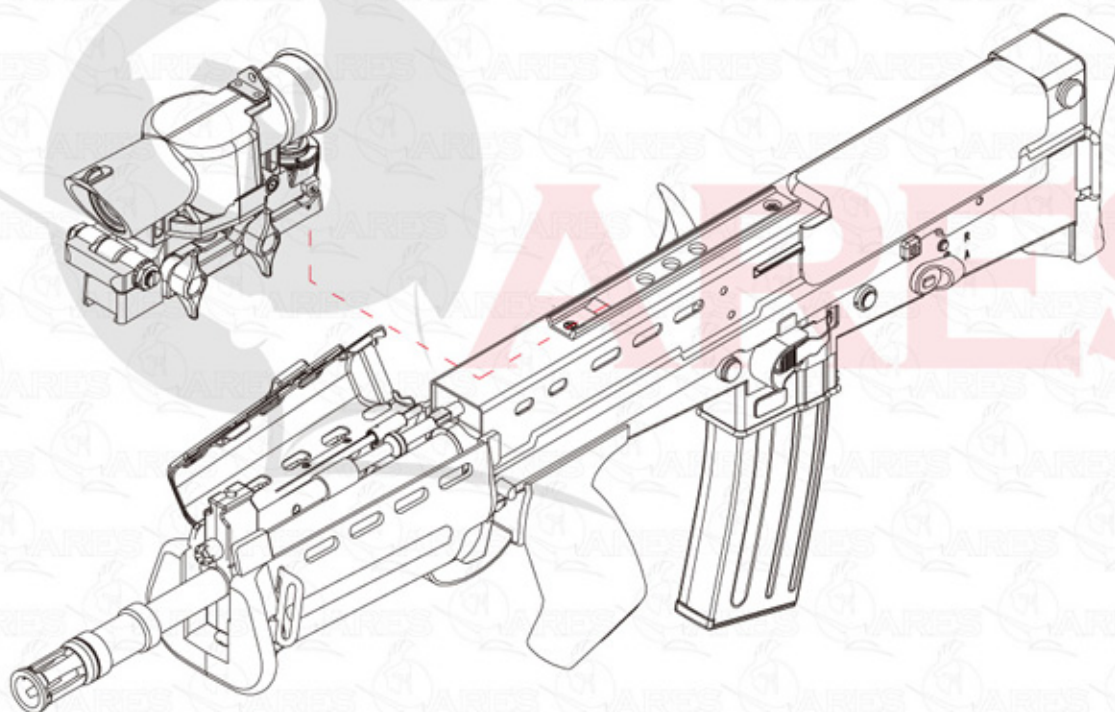
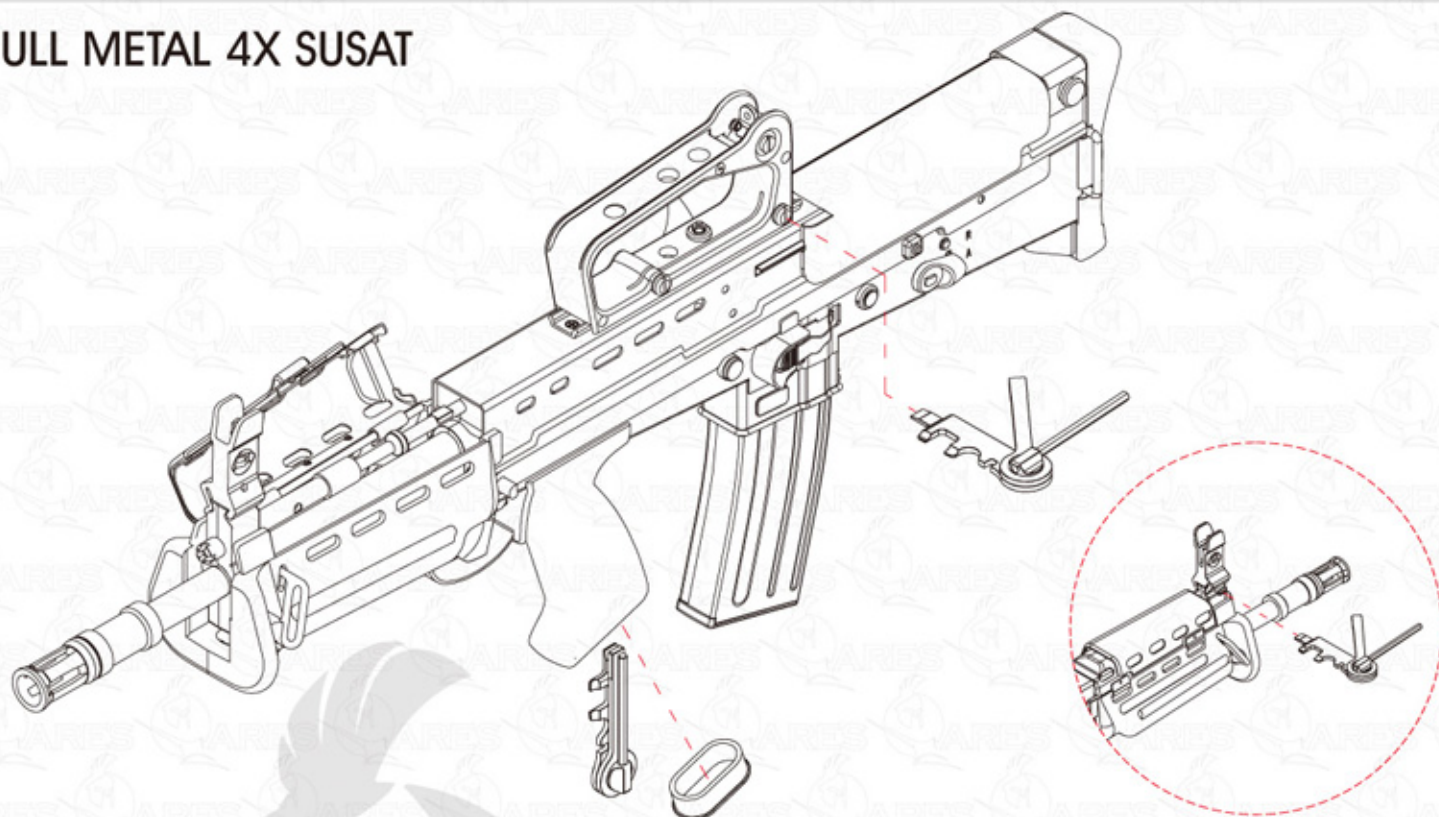
WARNING



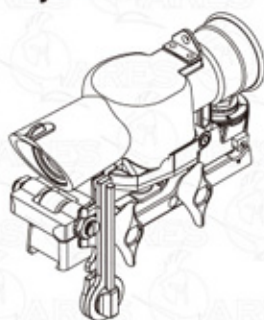
- .Do not aim or shoot a person or animal as the target.
- .Avoid pulling the trigger carelessly.
- .Always put the gun in a case or bag when you carrying it.
- .Always set the switch lever to the safety position.
- .Do not look into the gun muzzle.
- .Always wear eye protective gear.
- .Store the airsoft gun at the places out of reach by children.
- .Do not disassemble or modify the airsoft gun.

Optional accessories

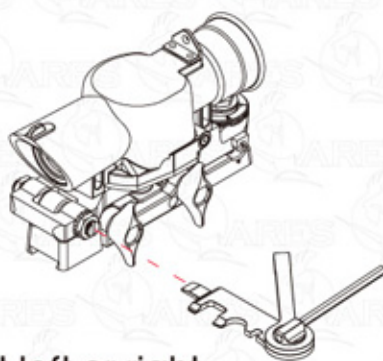
FULL METAL 4X SUSAT



Susat adjustment:



Loose the nut



Adjust left or right



Adjust up or down

DATA OF L85 A2 CARBINE ELECTRIC GUN

MATERIAL: NYLON FIBER & STEEL

HOPUP SYSTEM: ADJUSTABLE

LENGTH: 710MM

WEIGHT: 4235G (WITH SUSAT)

3800G (WITH IRON SIGHT)

MAGAZINE CAPACITY: 130 ROUNDS

BULLET: 6MM BB BULLETS

BATTERY: 8.4V 1700mAh

MOTOR: HIGH TORQUE FLAT MOTOR

