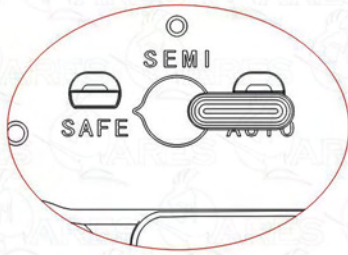


M4-RAS2-S

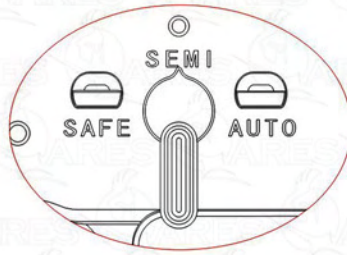


FIRING MODE

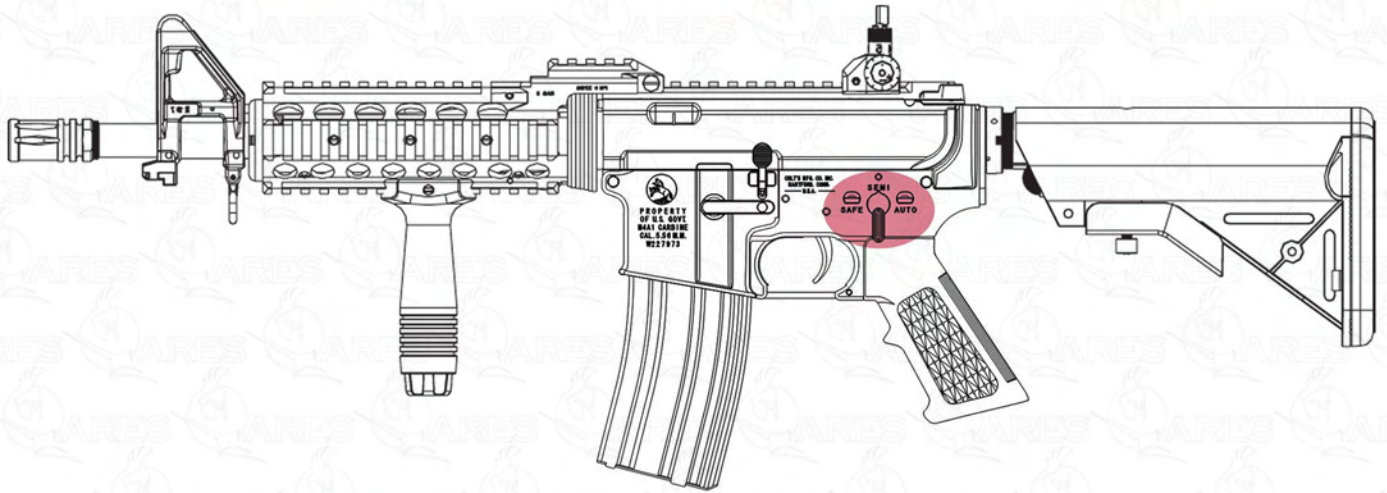
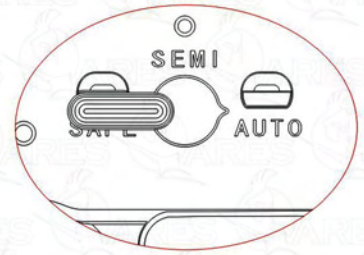
SAFETY



SINGLE

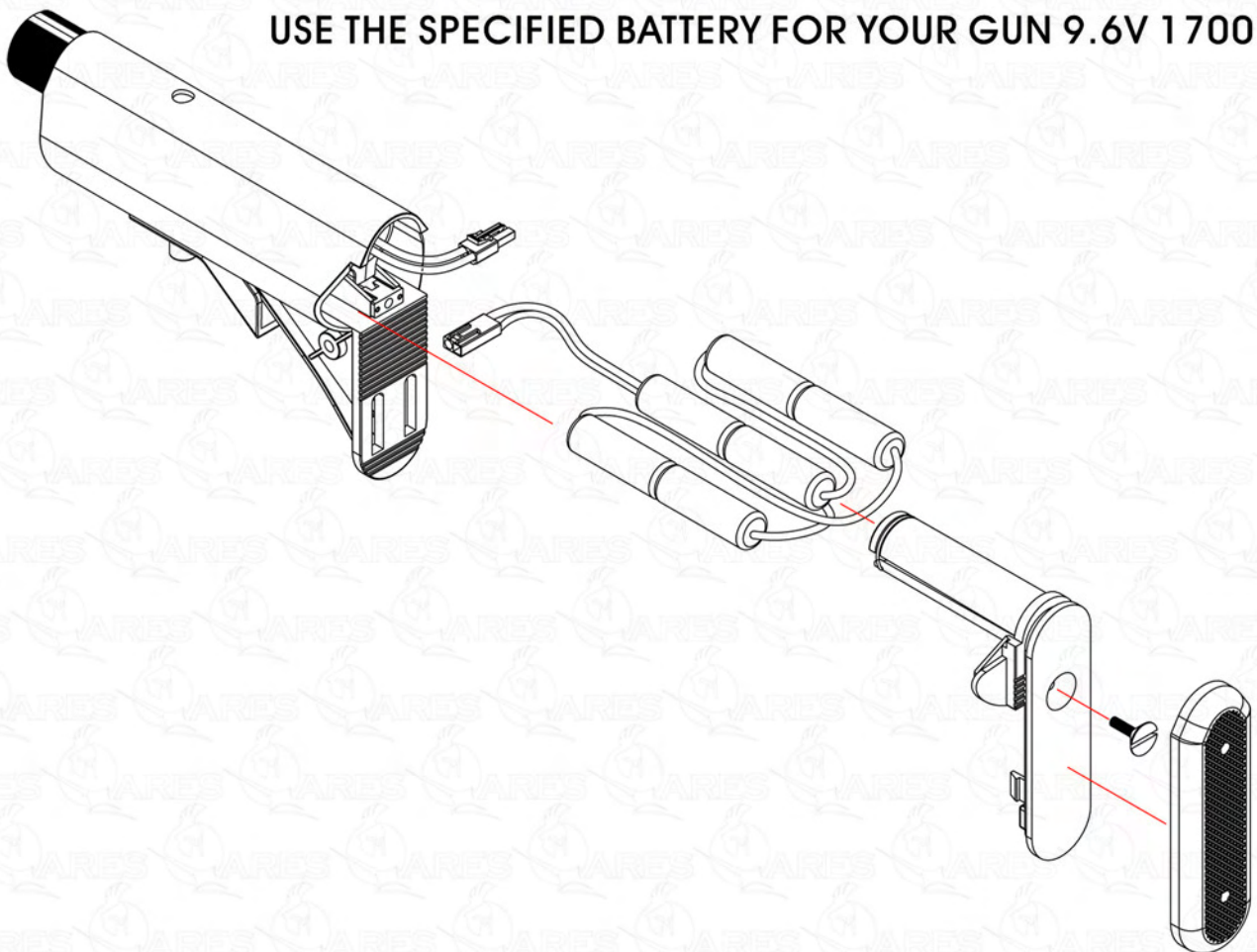


AUTO

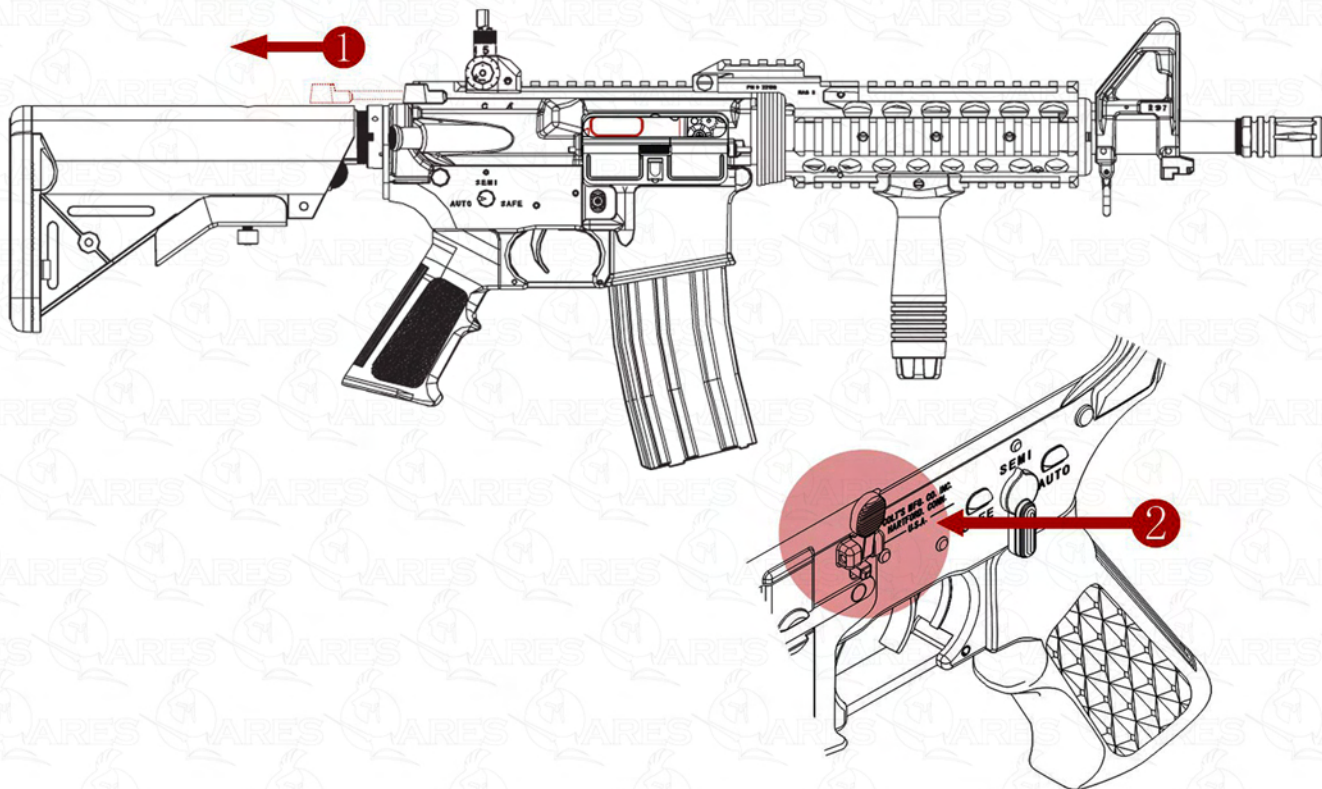


BATTERY INSTALLATION

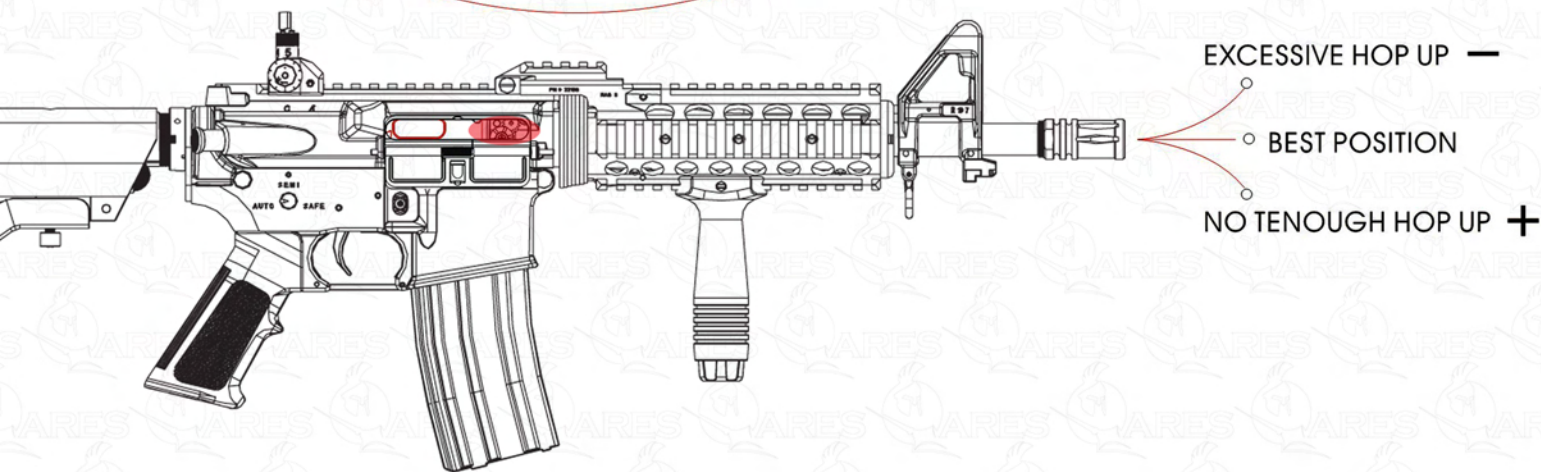
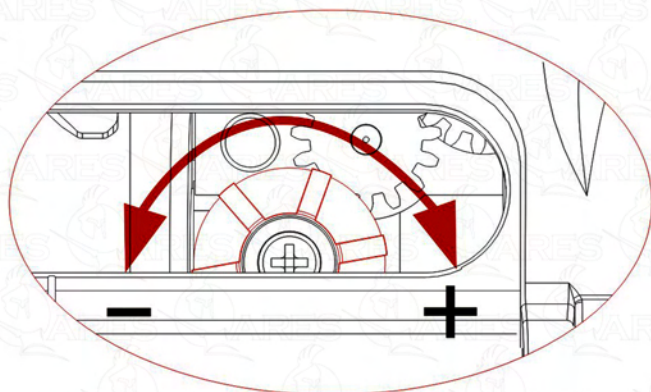
USE THE SPECIFIED BATTERY FOR YOUR GUN 9.6V 1700MAH



BOLT LOCK & RELEASE



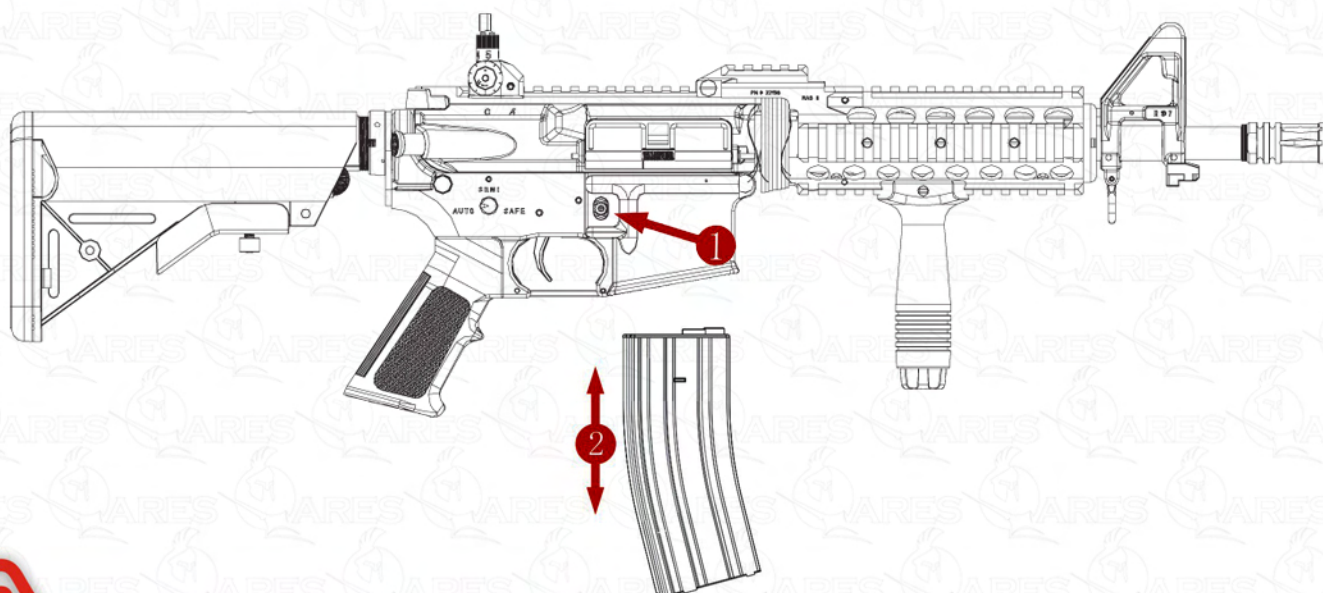
HOP-UP ADJUSTMENT



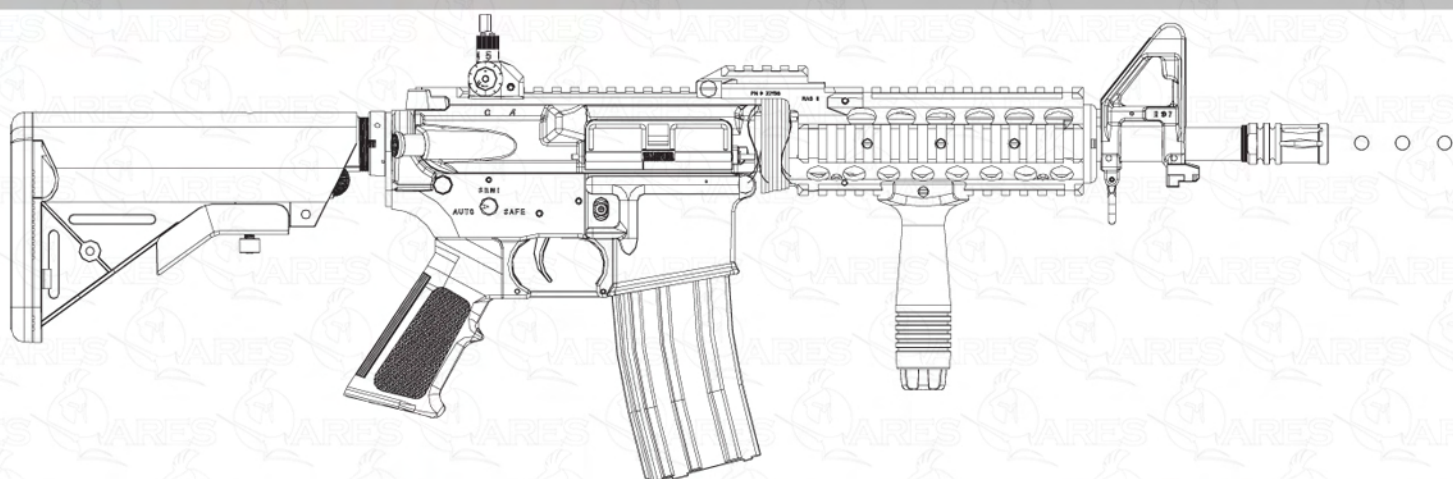
STOCK ADJUSTMENT



SETTING THE MAGAZINE



WARNING



- . Do not aim or shoot a person or animal as the target.
- . Avoid pulling the trigger carelessly.
- . Always put the gun in a case or bag when you carrying it.
- . Always set the switch lever to the safety position.
- . Do not look into the gun muzzle.
- . Always wear eye protective gear.
- . Store the airsoft gun at the places out of reach by children.
- . Do not disassemble or modify the airsoft gun.

DATA OF M4-RAS2-S ELECTRIC GUN

**BATTERY: 9.6V 1500mAh Mini (2/3A)
Nunchuck (Crane Stock)**

MAGAZINE CAPACITY: 130rds (6mm BB)

MODE: Full Auto / Semi / Safe

MATERIAL: Nylon Fiber + Al.Alloy

MOTOR: High Torque Flat Motor

HOP-UP: Adjustable

LENGTH: 698-788mm (In 5 Steps)

WEIGHT: 2860g

VELOCITY: 350-380FPS



www.aresairsoft.com