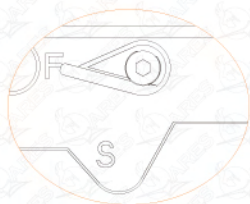


MK-43



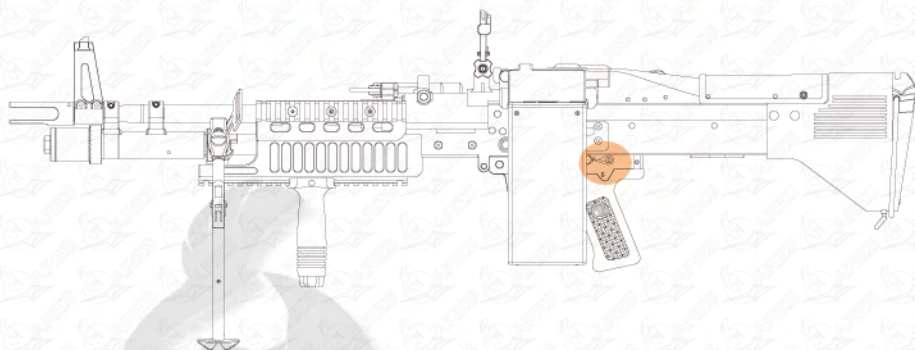
SAFETY MODE



FIRE

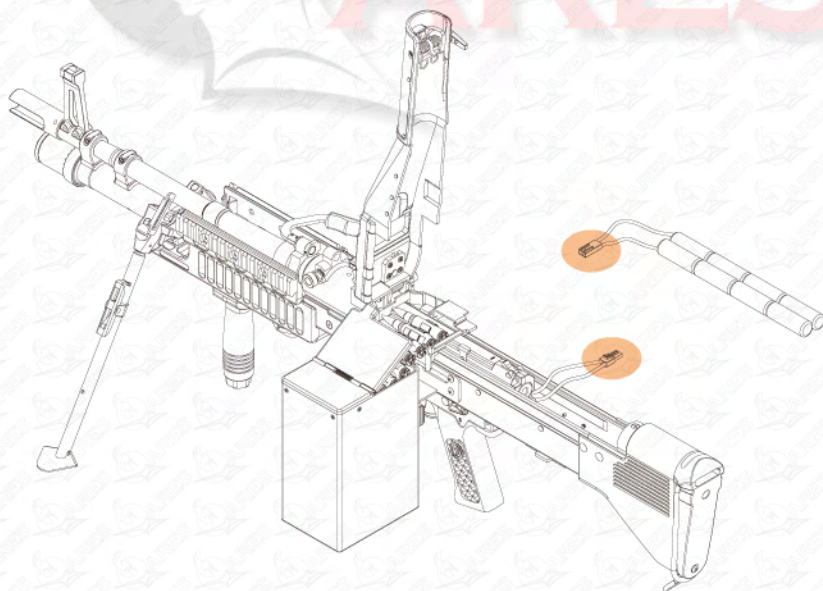


SAFTY

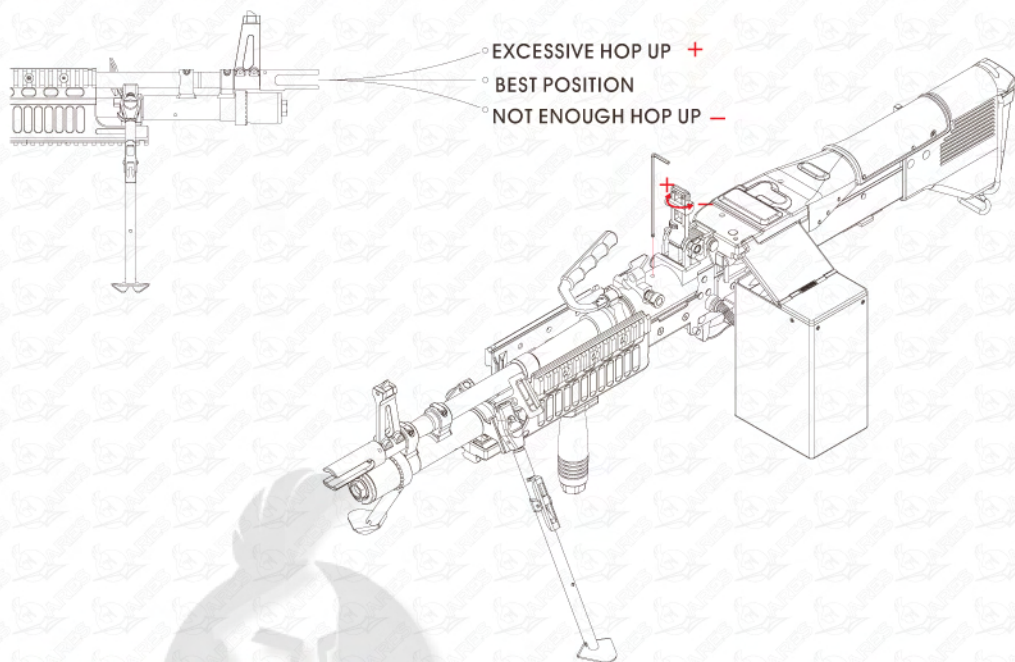


BATTERY INSTALLATION

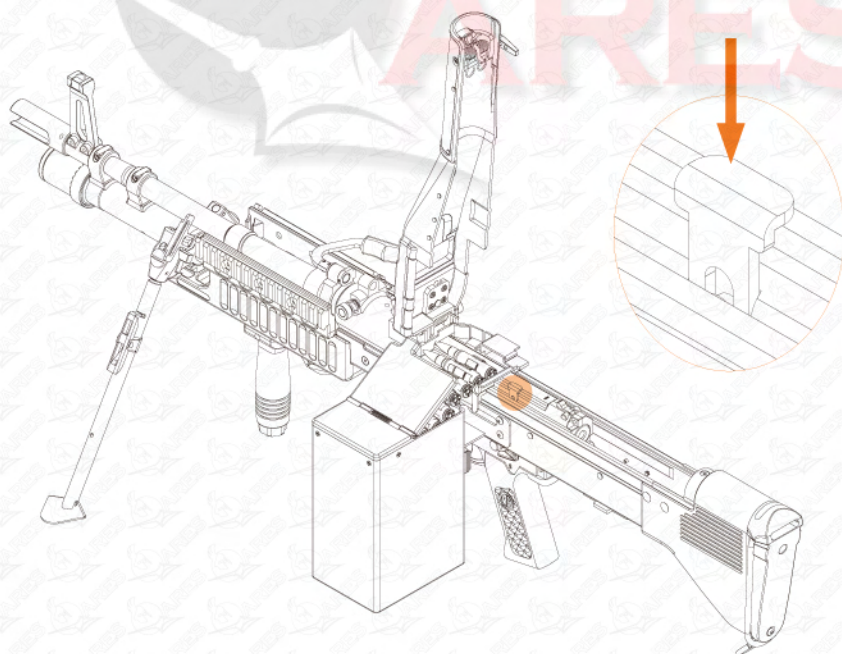
USE THE SPECIFIED BATTERY FOR YOUR GUN 9.6V 3300MAH



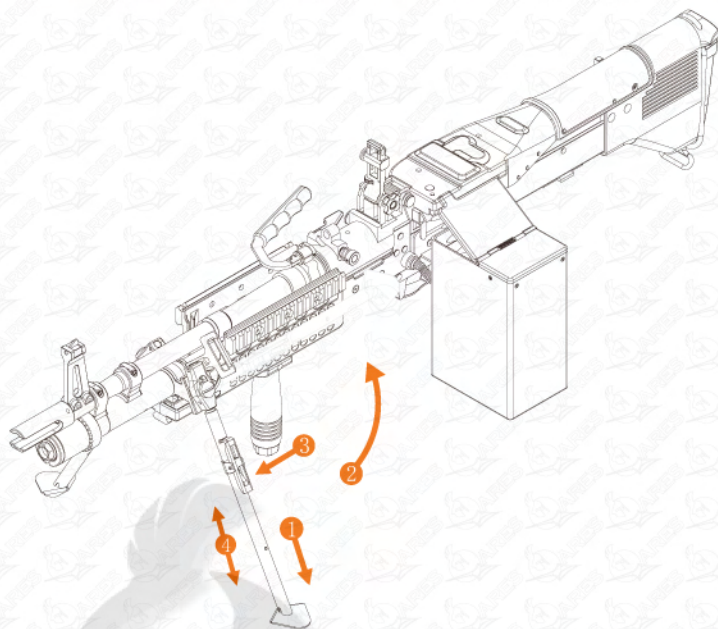
HOP-UP ADJUSTMENT



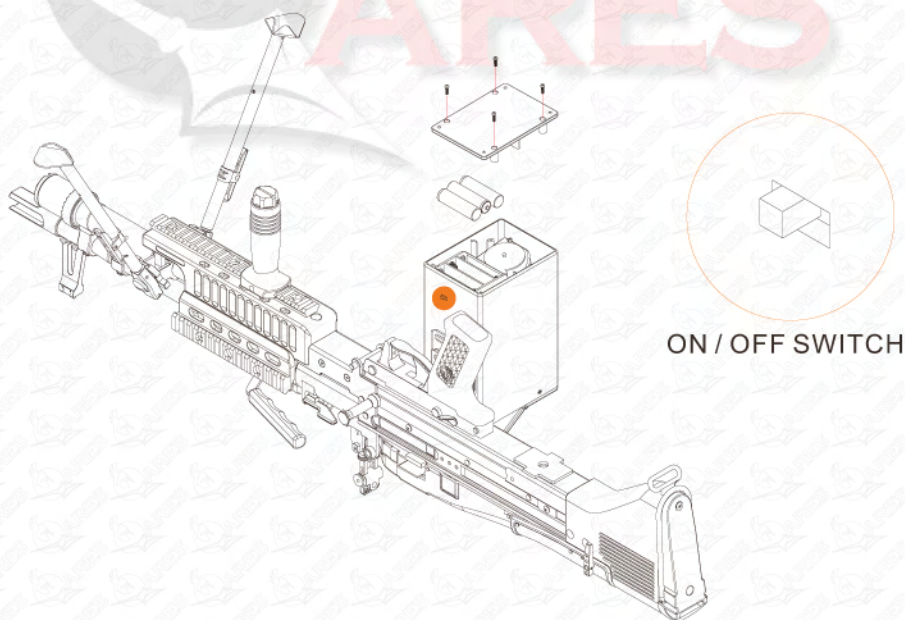
SPRING RELEASE



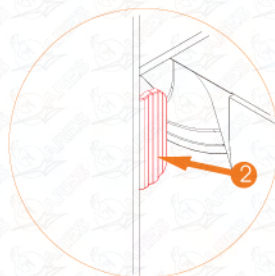
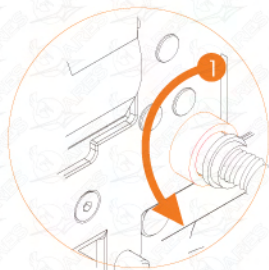
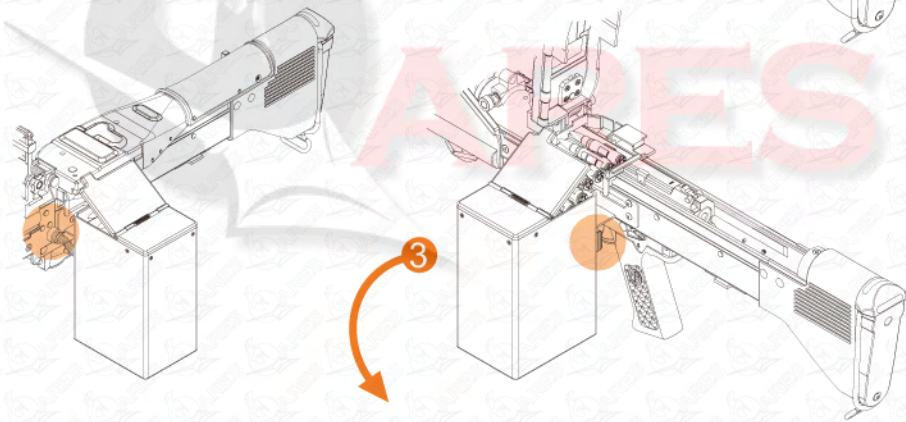
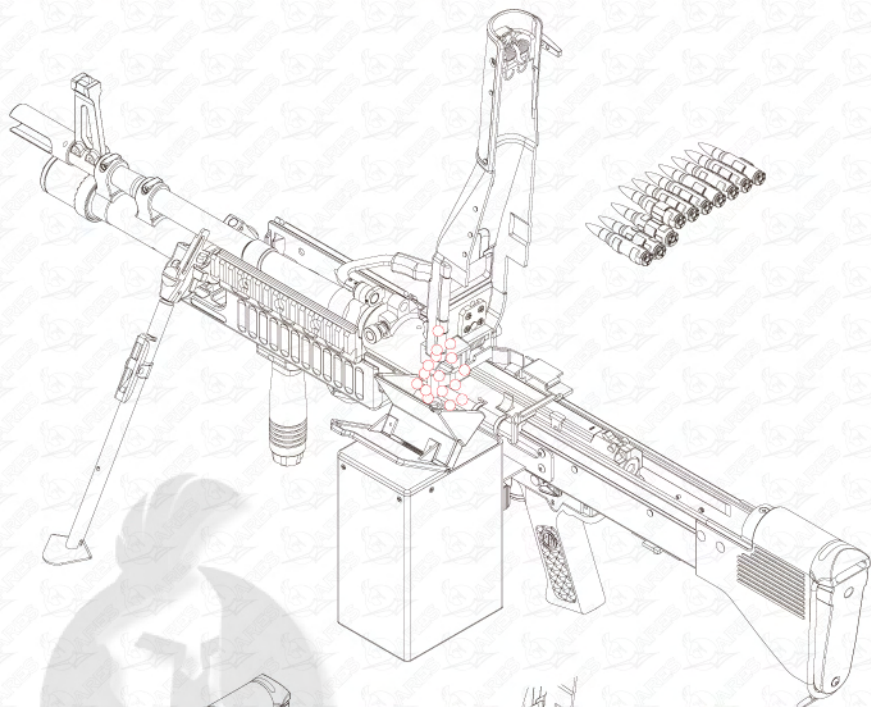
UNDERPROP ADJUSTMENT



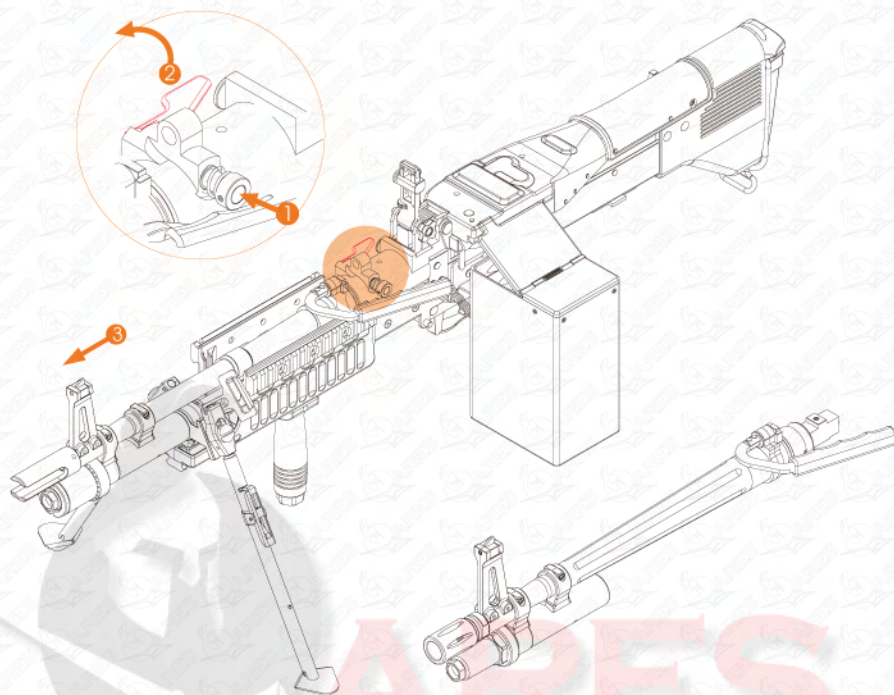
BOX MAGAZINE BATTERIES INSTALLATION



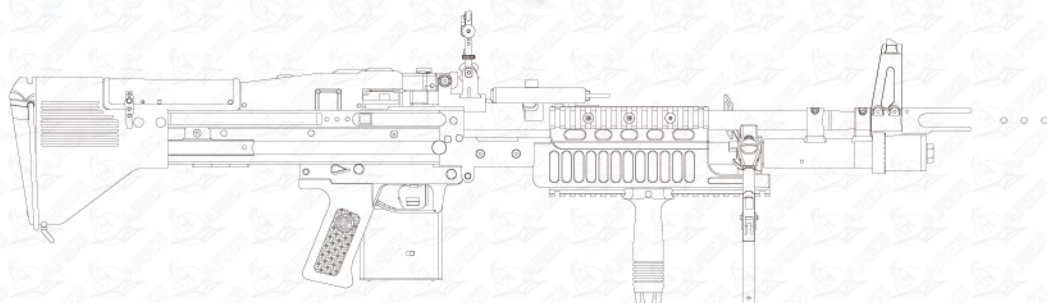
BOX MAGAZINE LOADING & RELEASE



BARREL REPLACEMENT



WARNING



- Do not aim or shoot a person or animal as the target.
- Avoid pulling the trigger carelessly.
- Always put the gun in a case or bag when you carrying it.
- Always set the switch lever to the safety position.
- Do not look into the gun muzzle.
- Always wear eye protective gear.
- Store the airsoft gun at the places out of reach by children.
- Do not disassemble or modify the airsoft gun.

DATA OF ARES MK43 ELECTRIC GUN

**MATERIAL: NYLON FIBER, STEEL &
ALUMINUM ALLOY**

HOPUP SYSTEM: ADJUSTABLE

LENGTH: 940MM

WEIGHT: 4560G

MAGAZINE CAPACITY: 2600 ROUNDS

BULLET: 6MM BB BULLETS

BATTERY: 9.6V 3300MAH

MOTOR: HIGH TORQUE FLAT MOTOR



SAFETY

- DO NOT MODIFY OR ALTER YOUR AIRSOFT GUN. Attempts to modify the airsoft gun in way may make your airsoft gun unsafe to use, cause serious injury or death and will void the warranty.
- Always check to see if the airsoft gun is "ON SAFE" and unloaded when getting it from another person or from storage.
- Always keep the airsoft gun "ON SAFE" until you are ready to shoot in a SAFE DIRECTION.
- Misuse or careless use may cause serious injury.
- Do not look into the gun muzzle.
- Do not ever point the airsoft gun at anything you do not intend to shoot.
- You and other with you should always wear shooting glasses to protect your eyes.
- If your reading or prescription glasses are not safety glasses, make sure you wear shooting glasses over your regular glasses.
- Do not put the airsoft gun away loaded. Make sure ALL of the plastic BBs are unloaded from the airsoft gun.
- Do not shoot at hard surfaces or at the surface of water. The plastic BBs may bounce off or ricochet and hit someone or something you had not intended to hit. If the plastic BBs should happen to hit a hard surface, do not reuse those plastic BBs because they could cause possible damage to your airsoft gun.
- Use 6 mm plastic BBs only.
- Always put the airsoft gun in a case or bag when you carrying it.
- Always store this airsoft gun in a secure location and at the places out of reach by children.
- Always treat the airsoft gun as though it is loaded and with the same respect you would a firearm.
- Using unauthorized repair centers or modifying the function of your airsoft gun in any way may be unsafe and will void your warranty.
- We are not responsible for any malfunction, accidents, injuries or repair cost resulting from misuse, or by disassembly and modification of the airsoft gun.



Manufacturer & Brand Owner : Forever Good International Ltd.

ARES®



SHOOTER



Worldwide:

Ares Website: <http://www.aresairsoft.com>

General Enquiries: ares@aresairsoft.com

North America: ZShot

Exclusive Distributor - <http://www.ZShot.com>

Dealer Inquires: Sales@ZShot.com **Technical Support:** Support@ZShot.com