

ARES PGM 338



Airsoft Gun Instruction Manual • Always read through this manual before operation

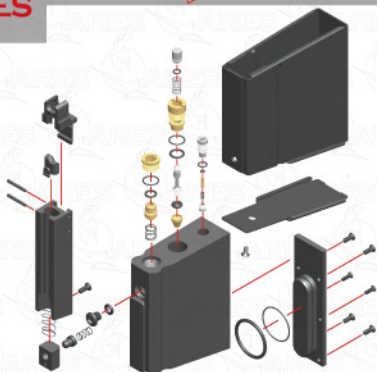
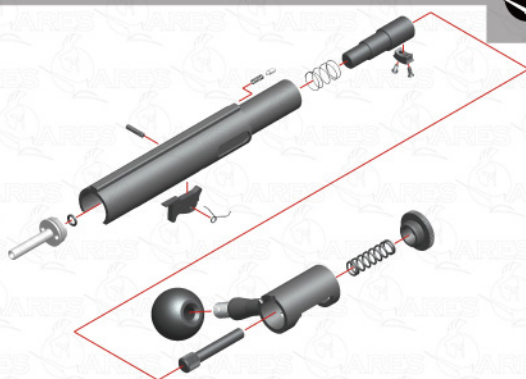
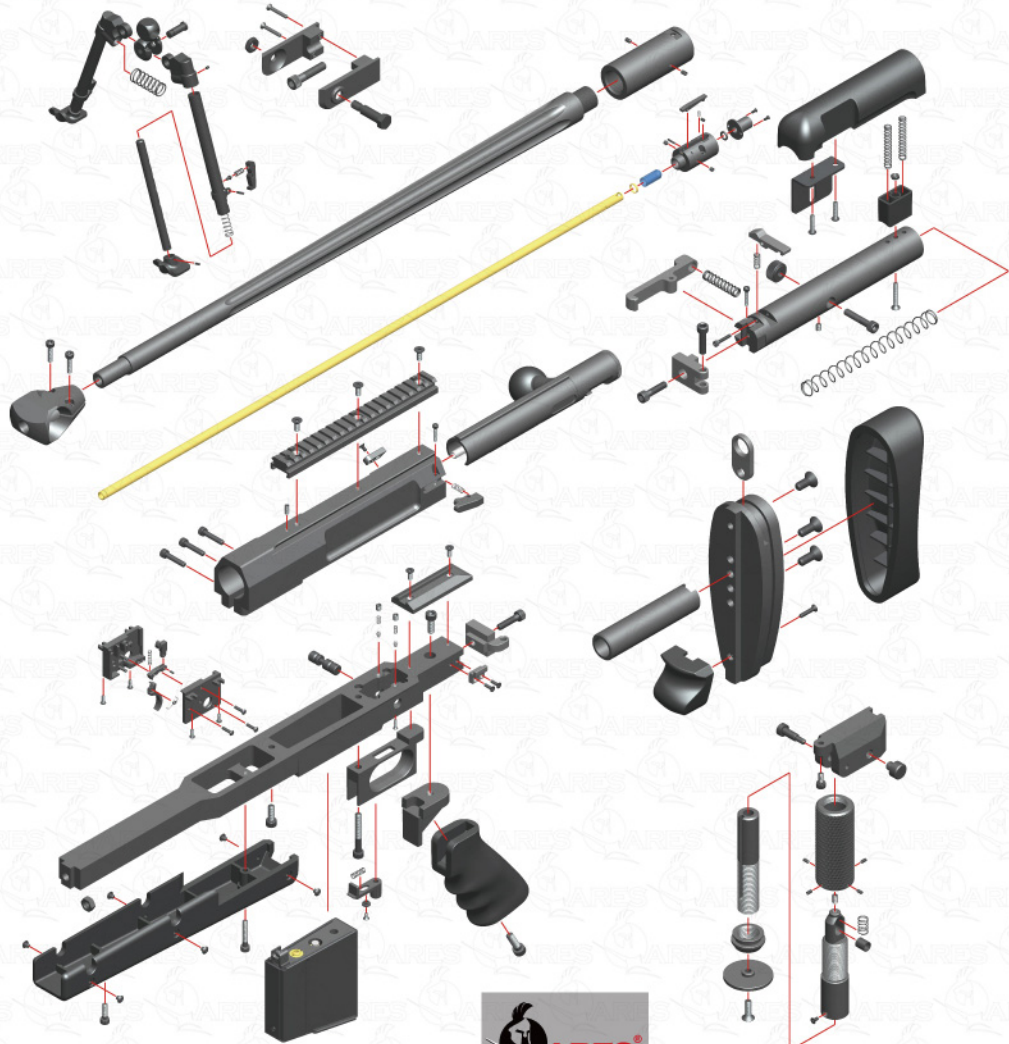


WARNING • CAUTION

- Do not aim or shoot a person or animal as the target.
- Avoid pulling the trigger carelessly.
- Always put the gun in a case or bag when you carrying it.
- Always set the switch lever to the safety position.
- Do not look into the gun muzzle.
- Always wear eye protective gear.
- Store the airsoft gun at the places out of reach by children.
- Do not disassemble or modify the airsoft gun.
- Misuse or careless use may cause serious injury.
- Never point or shoot at people or animals.
- Disassembling or modifying the gun may generate danger.
- Wear eye protection during all times.
- We are not responsible for any malfunction, accidents, injuries or repair cost resulting from misuse, or by disassembly and modification of the gun.

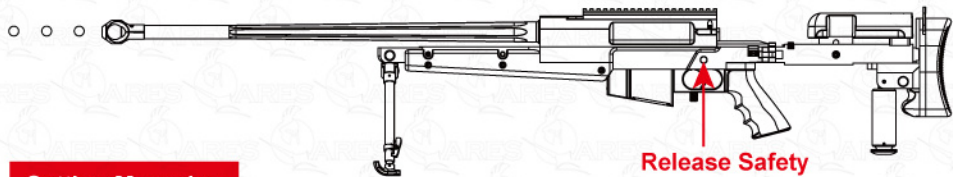
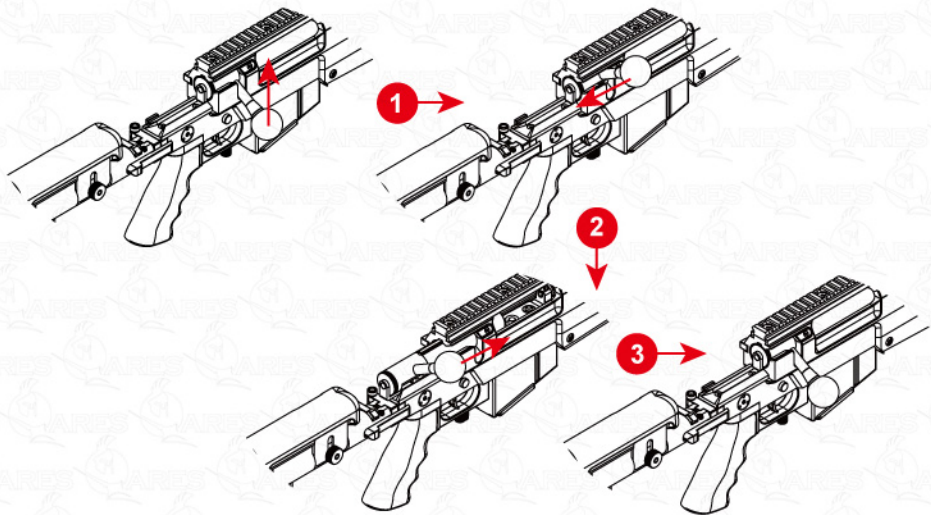


EXPOSE PLAN

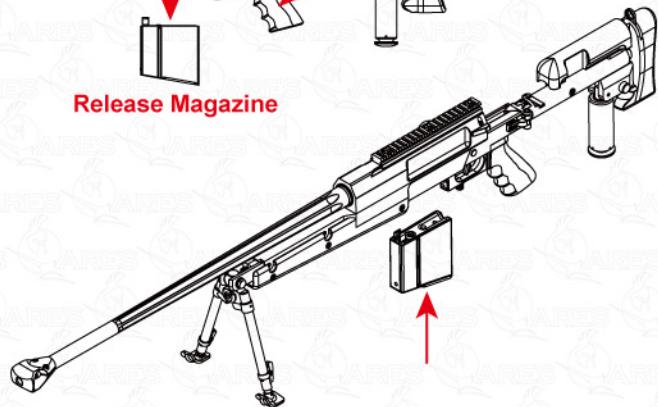
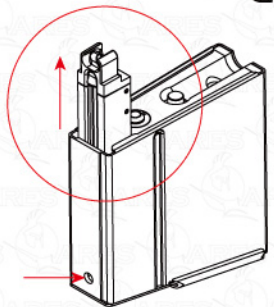
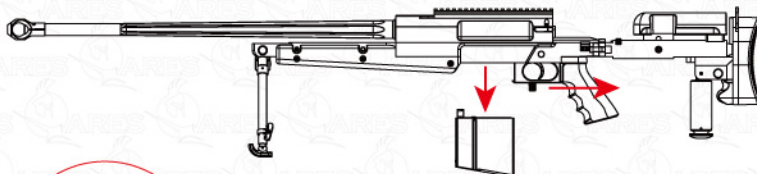
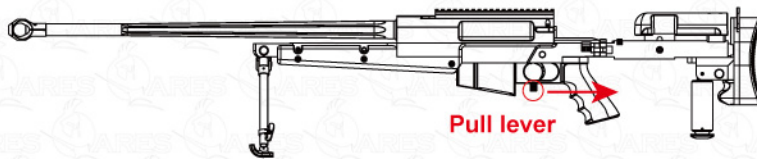


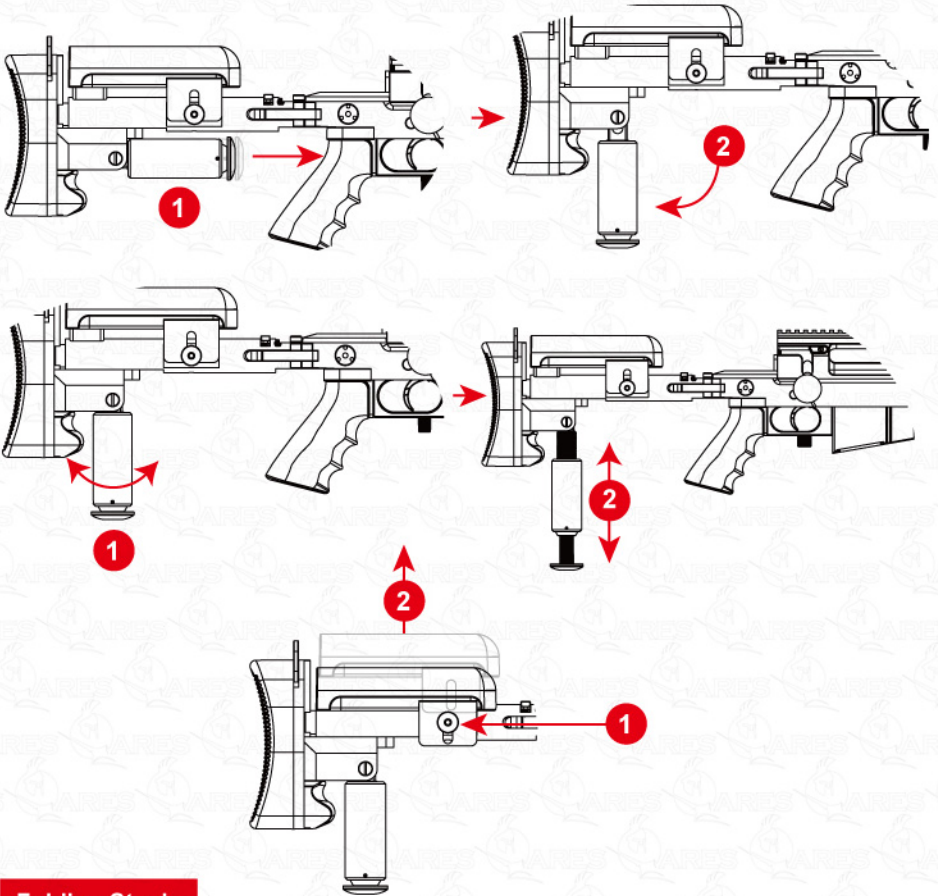
ARES PGM 338

Firing Mode

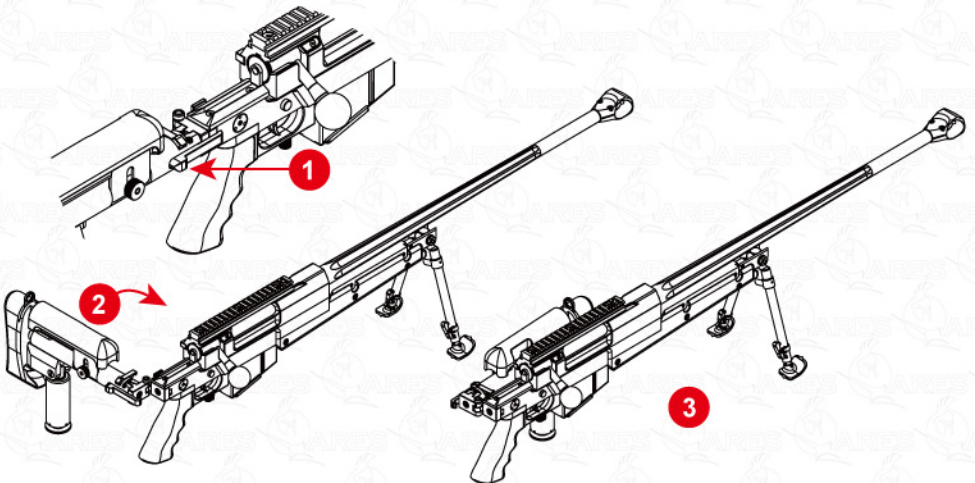


Setting Magazine

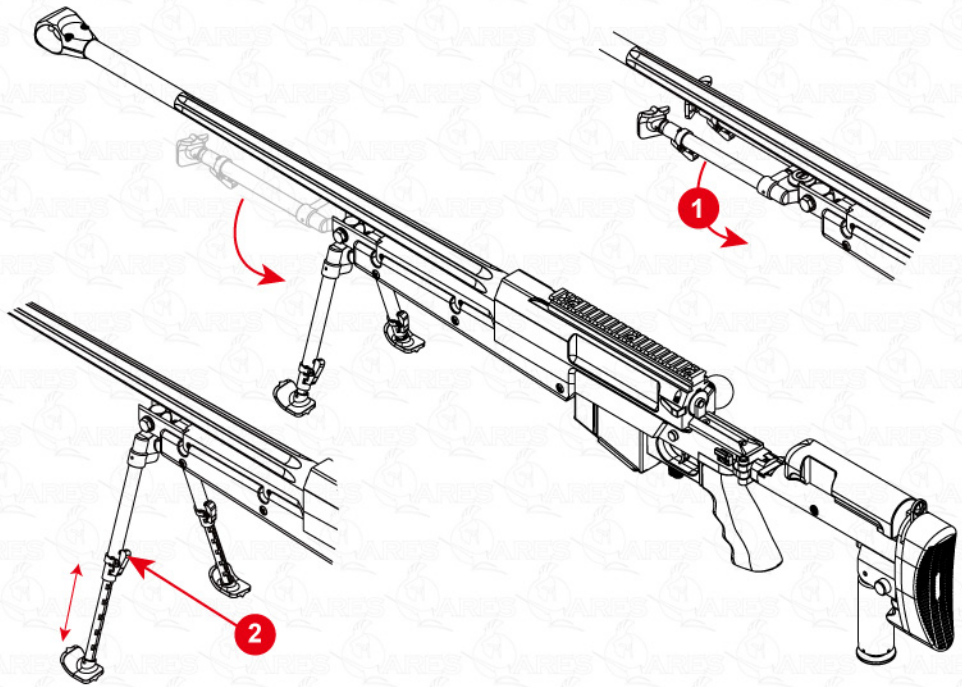




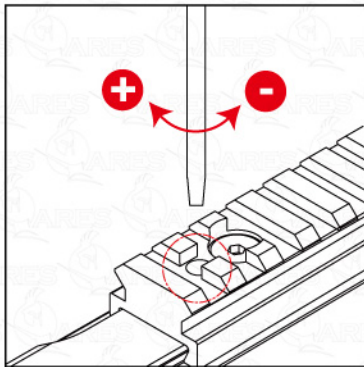
Folding Stock



Adjustable Bipod

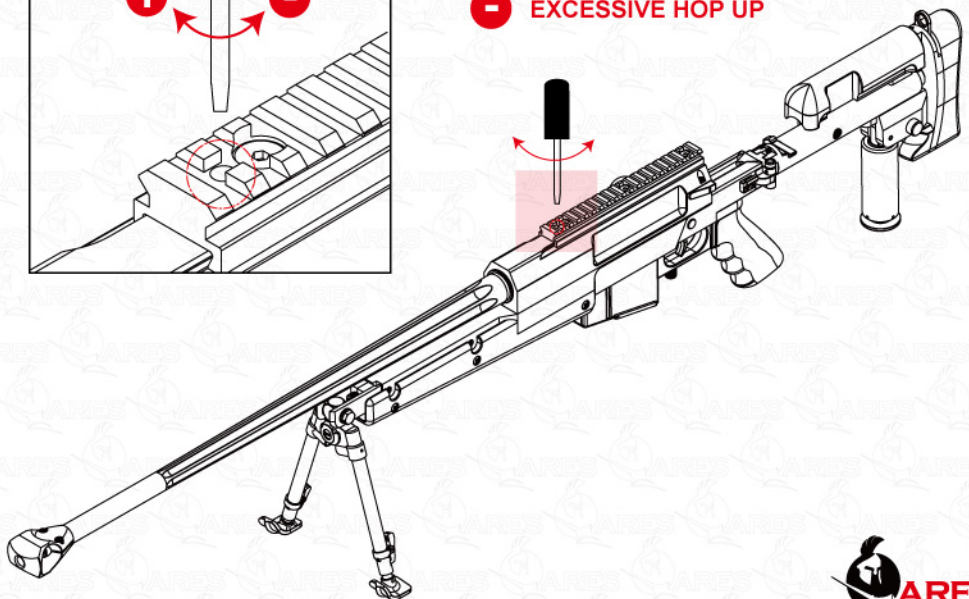


Hop Up Adjustment



+ NOT ENOUGH HOP UP

- EXCESSIVE HOP UP





- FOLDING BIPOD
- FOLDING BUTT STOCK
- RETRACTABLE BUTT STOCK
- ADJUSTABLE CHEEK PIECE
- EASY CHANGE SYSTEM :
GAS / SPRING / CO2 / PAINTBALL

GAS POWER:	134a Standard (Optional CO2 Mag)
MAGAZINE CAPACITY:	23rds (6mm BB)
MODE:	Bolt Action Single
MATERIAL:	Nylon Fiber + Al.Alloy
HOP-UP:	Match Grade Adjustable
LENGTH:	1010-1230mm
WEIGHT:	6800g
VELOCITY:	350-380FPS

For more detail information please visit www.aresairsoft.com



www.aresairsoft.com

email: info@aresairsoft.com
website: www.aresairsoft.com
© Aresairsoft 2010



SHOOTER

