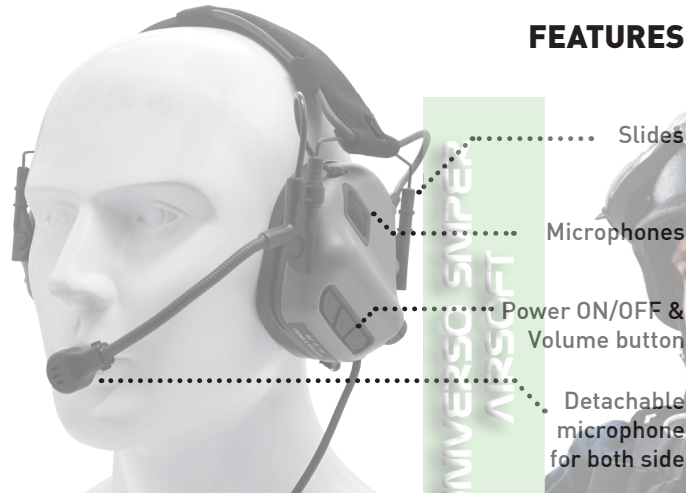


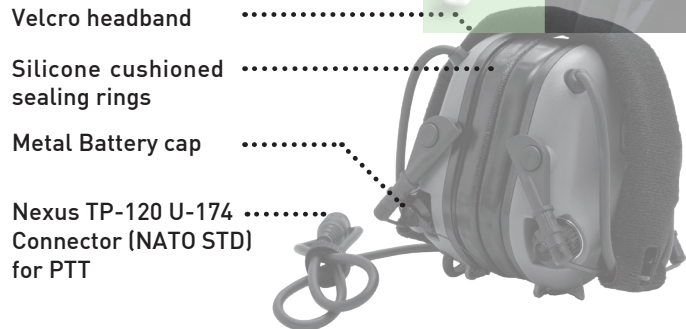


M32 MARK 3 MILPRO TACTICAL COMMUNICATION & HEARING PROTECTION HEADSET

M32 Mark 3 MilPro is a new model of headset that can protect hearing and improve situational awareness and communication in noisy environments. With more advanced functions and levels, it can be adapted to different scenarios for environmental listening. In addition, a replaceable bracket is designed to be installed on the helmet rail for the convenience of users.



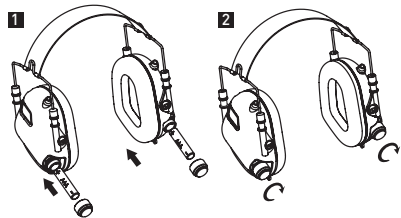
FEATURES



INSTRUCTIONS

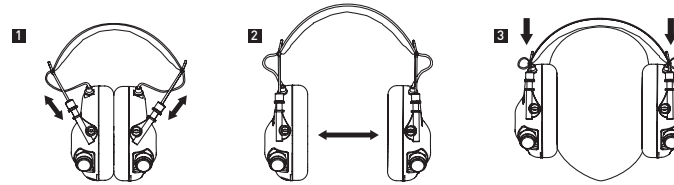
Installing Batteries ▶

Twist the cover counterclockwise to insert the battery and turn clockwise to close the battery cover.



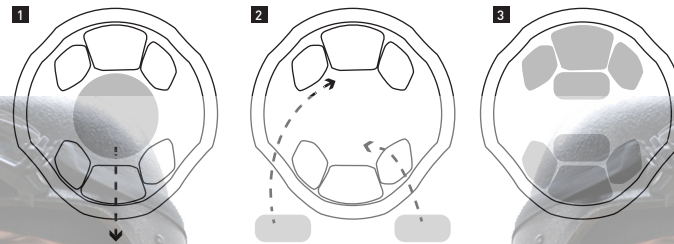
Fitting Headset ▼

fully extend sliders and place cups over ears so that microphones are facing forward. then tighten headband using sliders.



Adjust Helmet Padding for Proper Fit

1. Remove dome pad from top of helmet.
2. Replace dome pad with two oblong pads creating a channel for the headband.
3. Complete.



Power and volume

Press and hold the button for 3 seconds to power on/off.

Press "+" "-" button to switch different mode:

1. Quiet Mode - In a high-noise environment, it can automatically shield outside sounds and use radio to communicate
2. suitable for in-car or indoor noisy environment, long release time to prevent echo damage
3. Conversation - restore the real environmental sound, completely simulate the normal hearing of human
4. Patrol mode - amplify the ambient sound appropriately to more clearly perceive the surrounding environmental sound
5. Observing mode - maximum amplification of the surrounding environment sound to enhance hearing acuity and make it easier to hear subtle sounds

Detachable microphone

Detachable external communications boom microphone for both left or right handed assembly.

Auto shut-off

After 4 hours of non-activity, the hearing protector will automatically powers down with 3 times beep. Simply press ON/OFF button again to turn it back on when necessary.

Clear voice tracking

Clear voice tracking seeks voice in background/environmental noise and reduces the noise to improve speech intelligibility.

Increased RF immunity for EMI environments

EMI (Electromagnetic Interference) and RFI (Radio Frequency Interference) Filter can suppress interference generated by the device or other equipment, making headset M32 MARK3 able to suppress the electromagnetic interference signals presented in the environment.

Super fast attack time

The super fast attack time is less than 1 ms, which can instantly suppress the ambient sound and protect the user's hearing from damage.

IMPORTANT USER INFORMATION

- ▶ For the best protection, ear cushion sealing ring should seal firmly against head, Anything that interferes with the seal - such as long hair (pull back to the extent possible), thick or poorly fitting eyeglass temples, pencils or caps - will lessen the protection.
- ▶ Earmuffs must be regularly inspected for cracks or worn parts, it may affect the acoustic performance of the earmuffs. Typical life for foam cushion sealing rings is 12 months.
- ▶ Clean the exterior of the hearing protector regularly with soap and warm water. Do not immerse the whole headset in water.
- ▶ Do not store the hearing protector behind a windshield or at temperatures above 131°F (55°C).
- ▶ Certain chemical substances may damage this product. Contact the manufacturer for more information.

CAUTION

To reduce the risks associated with harmful noise or chemicals:

If instructions are not followed, bodily injury may result or protection may be severely affected.

When interference increases or the sound level becomes too weak, it is time to change the batteries.

Do not store the batteries installed. A leaking battery may cause bodily injury or damage to the hearing protector.

These hearing protectors help reduce exposure to hazardous noise and other loud sounds. Misuse or failure to wear hearing protectors at all times when you are exposed to noise may result in hearing loss or injury.

If there is any drainage from your ear or if you have an ear infection, consult with your physician before wearing hearing protection. Failure to do so may result in hearing loss or injury.

For proper use, see user instructions or contact EARMOR Technical Service via Email: CS@OPSMEN.COM

APPROVAL

EARMOR M32 MARK 3 is tested and approved in accordance with ANSI S3.19-1974 Standard

Noise Reduction Rating 22dB(A)

Earmor M32 MARK3 Attenuation data according to American National Standards Institute Specifications ANSI S3.19-1974 (in passive mode, electronics switched off)

TEST FREQ.(HZ)	125	250	500	1000	2000	3150	4000	6300	8000	NRR
MEAN ATTENUATION(DB)	17.7	19.1	24.7	29.6	30.1	37.6	40.0	41.7	40.5	22
STANDARD DEVIATION(DB)	3.1	1.9	2.3	2.3	2.2	3.2	3.4	2.7	3.1	

WARRANTY

M32 MARK 3 electronic headphone is warranted to be free of defects in material and workmanship for a period of 1 year from the date of original purchase.

OPSMEN/EARMOR will repair or replace without charge, except for the transportation costs, parts that fail under normal use and service when operated and maintained in accordance with our instructions.

The warranty is nullified in all of the following situations:

1. The product(s) is/are broken down, reconstructed and/or modified by unauthorized parties.
2. The product(s) is/are damaged through improper use.
3. The product(s) is/are damaged by leakage of batteries.

CONTACT

For the latest information on OPSMEN/EARMOR products and services, Please contact a local OPSMEN distributor/dealer or email to cs@opsmen.com OPSMEN official website WWW.OPSMEN.COM shall prevail in case of any product data changes.

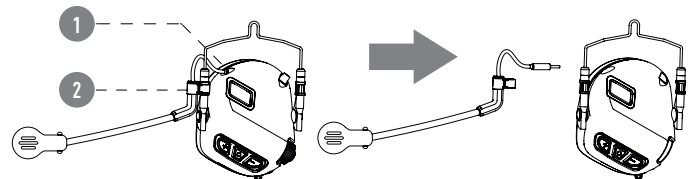
OPSMEN TECH CO., LTD.

Tel: +86 20 81179170 Fax: +86 20 81179171 E-mail: cs@opsmen.com / info@opsmen.com
Add: Room 601, Building A, No.94 Liwan Road, Liwan District, Guangzhou, Guangdong Province, China

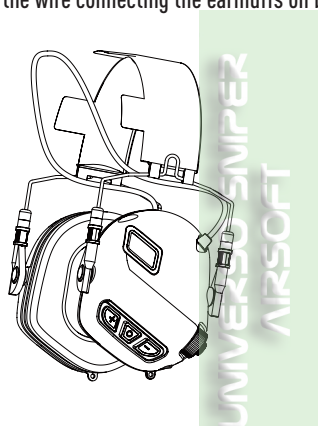
M32 HOW TO REPLACE THE M11 BRACKET IN THE HELMET

STEP 1. SEPARATE

1. As shown in Figure 1, first remove the plug of the microphone. Then remove the rotatable parts installed on the mic. Finally, separate the microphone and headphones.

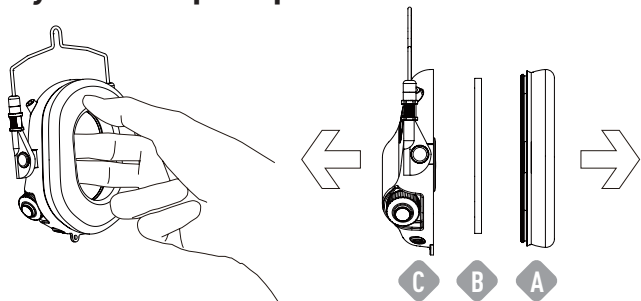


2. In front of the direction in which the headset is worn, uncover the five Velcro shown in Figure 8. Take out the wire connecting the earmuffs on both sides.

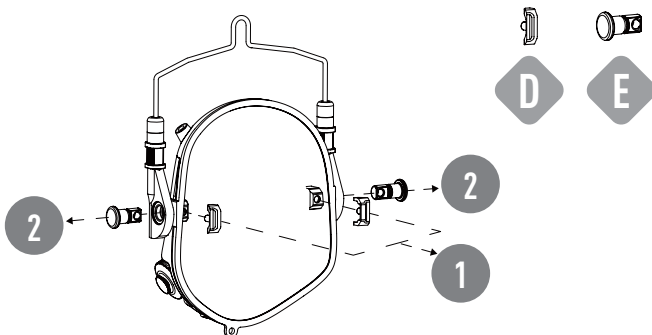


3. Select the earmuffs on either side for disassembly (the left side is shown in Figure 3). Insert your finger into the gap between the ear pad (Part A) and the sponge pad (Part B) as shown in Figure 2. Separate the ear cup (Part C) and ear pads in the direction indicated by the arrow.

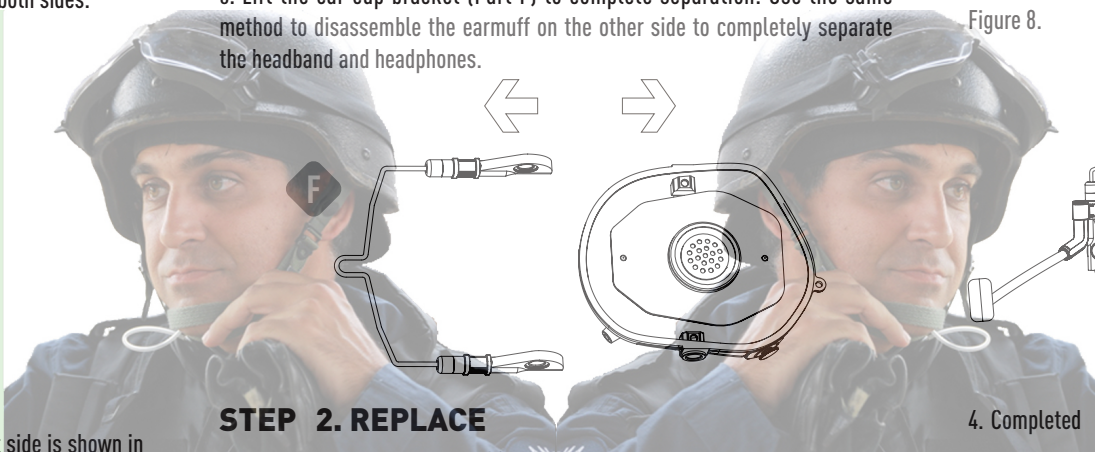
***During the replacement process, please wear gloves throughout the operation to prevent being cut by some sharp components.**



4. In step 1, gently remove the two positioning fasteners (part D) in part C in the direction of the arrow, and then put them in a safe place to avoid loss. Step 2. Continue to take out the bracket pivots (Part E) on both sides in the direction of the arrow and put them in a safe place to avoid loss.

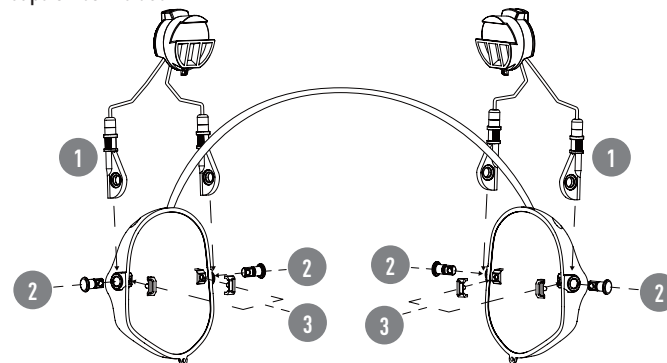


5. Lift the ear cup bracket (Part F) to complete separation. Use the same method to disassemble the earmuff on the other side to completely separate the headband and headphones.

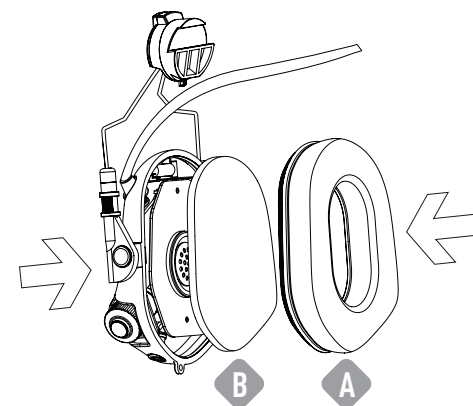


STEP 2. REPLACE

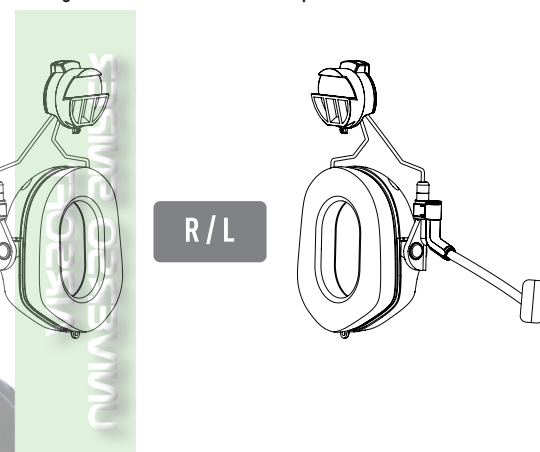
1. Take out the M11 bracket *2 in the accessories, align the holes in the direction shown in the figure, insert the rotating nails (component E) in the bracket, and then install the positioning fastener (component D). In addition, please pay attention to the position of the wire connecting the ear cups on both sides.



2. Align the ear pads (Part B) and ear washers (Part A) on the sides of the ear cups, and press firmly until they are fully attached.



3. Select the left or right side to install the microphone as shown in Figure 8.



4. Completed

