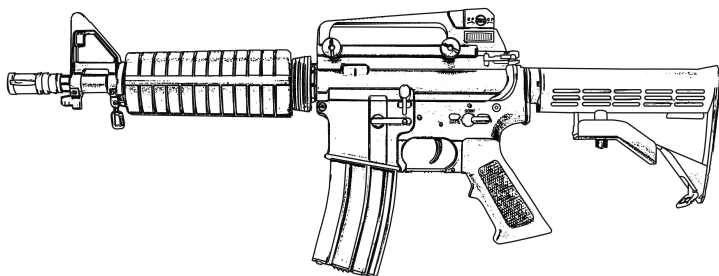
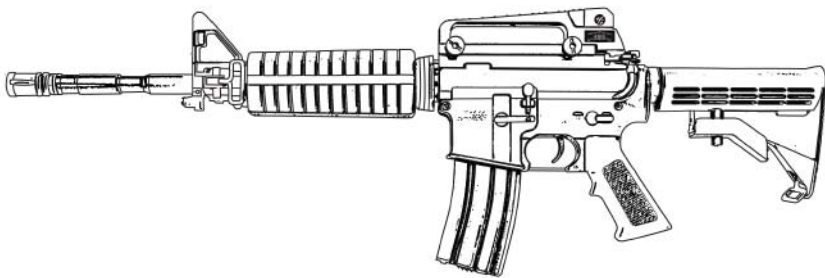


UNIVERSO SNIPER
AIRSOFT



KWA[®]

OPERATOR'S MANUAL



KM4A1 KM4CQB

TABLE OF CONTENTS

Use of this manual	2
Safety Guidelines	2-3
Warranty and Service	4-5
Specifications	6-7
Functions and Features	8
Contents	8
Break-in Period.....	8
Loading BBs	9
Fire Selector Switch.....	10
Battery & Installation.....	11
Fuse.....	11
Hop-Up System	12
Front and Rear Sight Adjustment	13
Disassembly and Assembly Procedures	14
Cleaning and Lubrication.....	15
Troubleshooting	16
Operating Under Unusual Conditions.....	17
Diagram and Parts Lists	18-22

USE OF THIS MANUAL

Before operating the Airsoft gun, read this manual in its entirety. Important safety topics and tips are discussed throughout all of the chapters. It's important that the operator know the principles of gun handling safety and operation prior to firing the Airsoft gun.

SAFETY GUIDELINES



WARNING! Failure to follow safety guidelines may result in serious injury.

Safety Distance

The effective shooting range is approximately 175 feet. BBs fired from this Airsoft gun may travel further than intended. Make certain that you have an adequate backstop.

Eye Protection

Eye protection should be worn at all times when both shooting and maintaining your Airsoft gun. Protect your eyes from silicone spray and BBs under spring pressure while performing maintenance on your Airsoft gun.

Assume Every Gun is Always Loaded

Until you are certain the chamber is empty, treat every gun as if it were loaded. Do not assume the chamber is empty based on your memory or someone else's words. Always remove the magazine and visually check to confirm the chamber is empty.

Beware of Barrel Obstructions

Ensure the Airsoft gun barrel is free of obstructions before you fire the gun. Even the smallest obstruction such as lubrication or a stuck cleaning patch can cause a misfire or malfunction.

Muzzle Control

Always keep the muzzle of the gun pointed in a safe direction. Never point the muzzle at a person or object that you do not intend to shoot.

Keep Your Safety On

Keep the gun's safety on until your sights are aligned on your target and you are ready to fire.

Keep Your Finger Off The Trigger

Keep your finger off the trigger and out of the trigger guard until your sights are aligned on your target and you are ready to fire.



WARNING! Airsoft BBs can be a choking hazard. Keep them away from children.

SAFETY GUIDELINES

Identify Your Target and Backstop

Before you pull the trigger, make certain of your target and what is beyond it. The Airsoft gun should never be fired at surfaces such as rocks, glass, water, or other hard surfaces where BBs are likely to ricochet in unpredictable directions.



WARNING! Adult supervision is required for any person under the age of 18.

Failure To Fire

If the Airsoft gun fails to fire, misfires, or malfunctions, do not look into the gun barrel. BBs can become lodged into the chamber, and serious eye injury may occur.

Maintain Your Gun Properly

Performing proper maintenance, as outlined in this manual, ensures that your Airsoft gun will be safe to shoot and will perform to its designed specifications for many years. Alterations, modifications or adjustments may damage your Airsoft gun, make it unsafe to shoot, and will void all warranty claims.

Store Your Gun Safely

Always store the Airsoft gun in a safe place, and out of the reach of children. Always transport the Airsoft gun in a carrying case. Never display the Airsoft gun in a public place. Keep the safety engaged, and remove the magazine before storing the Airsoft gun.

NOTE: IT IS YOUR RESPONSIBILITY TO TAKE EVERY REASONABLE PRECAUTION TO ENSURE THE SAFE STORAGE AND TRANSPORTATION OF YOUR AIRSOFT GUN.

Orange Tip

The orange tip on Airsoft guns helps Law Enforcement distinguish between the replica guns from their real firearm counterparts. Altering the coloration or markings required by state or Federal law so as to make the product look more like a firearm is dangerous and may be a crime. Operator assumes all risks and responsibility when doing so.

Hazards of Being Mistaken for a Real Firearm

Airsoft guns have been mistaken by Police and Law Enforcement as real firearms. A confrontation with law enforcement while carrying an Airsoft gun can result in serious injury or even death. It is strongly advised to operate the Airsoft gun at a safe and legal location. In the event that you are approached by Law Enforcement personnel, you must comply with their instructions immediately to avoid an incident.

Alcohol, Medications and Drugs

Do not handle or operate your Airsoft gun while under the influence of alcohol, medication or drugs.

Your Responsibility

Your Airsoft gun is well-engineered and manufactured to the highest standards. It was carefully inspected before it was packaged and shipped from our factory. Its safe use depends on you alone. You are the ultimate safety device. Like many other devices, your Airsoft gun is safe unless handled in an irresponsible or uneducated manner.

WARRANTY AND SERVICE

KWA Performance Industries, Inc. is committed to serve our customers with the finest quality products, the highest level of service, and customer satisfaction. Because of this, we offer a 45-day warranty on all KWA products we import and distribute.

What is Covered

Except as specified below, this warranty covers all defects in material and workmanship in KWA products occurring during the above warranty periods. The following are not covered by the warranty: (1) Any product which is not imported and distributed in the U.S.A. by KWA PERFORMANCE INDUSTRIES, INC. (2) Any products not purchased in the U.S.A. from an KWA AUTHORIZED RESELLER (Note: KWA AUTHORIZED RESELLER can be identified by KWA AUTHORIZED RESELLER sticker displayed in the store. If you are uncertain as to whether a dealer is a KWA AUTHORIZED RESELLER, please contact KWA PERFORMANCE INDUSTRIES, INC. as listed above). (3) Damaged deterioration or malfunction resulting from: a) Accident, act of nature, abuse, misuse, neglect, unauthorized product repair, opening of or modification or failure to follow instructions supplied with the product. b) Repair or attempted repair by anyone not authorized by KWA PERFORMANCE INDUSTRIES, INC. c) Removal of the orange safety tip. (4) Use of the product outside the U.S.A. (5) Damaged batteries or improper use of bullets (BBs), or non approved propellants (ie. Propane, Red Gas, 134a...etc.) (6) Use in industrial, commercial, and/or professional applications.

What KWA Will Pay For

If during the applicable warranty period from the date of the original purchase your KWA product is found to be defective by KWA Performance Industries, Inc., KWA Performance Industries, Inc. will repair, or at its option, replace with new, used, or equivalent model, the defective product without charge for parts or labor.

How To Obtain Warranty Service

If your product needs service, it may be taken or shipped to KWA Performance Industries, Inc. The following procedures apply whenever your unit must be transported for warranty service:

- You must go to Help Desk at www.kwausa.com/support to obtain an RMA number. THE RMA NUMBER MUST BE CLEARLY MARKED ON THE OUTSIDE OF THE PACKAGE. PACKAGES WITHOUT AN RMA NUMBER CLEARLY MARKED WILL BE REFUSED AND RETURNED TO THE SENDER.
- You are responsible for transporting your unit or arranging for its transportation.
- If shipment of your unit is required; you must pay the initial shipping fee, but we will pay the return shipping charge if the repairs are covered by the warranty.
- WHEN RETURNING YOUR UNIT FOR WARRANTY SERVICE, A COPY OF THE ORIGINAL SALES RECEIPT MUST BE ATTACHED.
- You must include the following: RMA number, your name, address, daytime telephone number, model and serial number (if applicable) of the product and a description of the problem.

NOTE: THE RMA NUMBER MUST BE CLEARLY MARKED ON THE OUTSIDE OF THE PACKAGE. PACKAGES WITHOUT AN RMA NUMBER CLEARLY MARKED WILL BE REFUSED AND RETURNED TO SENDER. NO EXCEPTIONS.

This Warranty is Only Valid in the United States

If your product does not require service, but you have questions regarding its operation, please contact our Technical Services Department as listed below.

THIS WARRANTY IS EXPRESSLY MADE IN LIEU OF ALL OTHER WARRANTIES, EXPRESSED OR IMPLIED, INCLUDING WITHOUT LIMITATION, WARRANTIES OF MERCHANTABILITY AND FITNESS FOR A PARTICULAR PURPOSE.

OUR LIABILITY IS LIMITED TO THE REPAIR OR REPLACEMENT, AT OUR OPTION, OF ANY DEFECTIVE PRODUCT AND SHALL IN NO EVENT INCLUDE INCIDENTAL OR CONSEQUENTIAL COMMERCIAL OR PROPERTY DAMAGES OF ANY KIND. WE ARE NOT RESPONSIBLE FOR PRODUCTS LOST, STOLEN AND/OR DAMAGED DURING SHIPPING.

SOME STATES DO NOT ALLOW LIMITATIONS ON HOW LONG AND IMPLIED WARRANTY LASTS AND/OR DO NOT ALLOW THE EXCLUSION OF INCIDENTAL OR CONSEQUENTIAL DAMAGES, THE ABOVE LIMITATIONS AND EXCLUSIONS MAY NOT APPLY TO YOU.

This warranty gives you specific legal rights, but you may also have other rights which vary from state to state. This Warranty may not be altered other than in writing signed by an officer of KWA Performance Industries, Inc.

KWA Performance Industries, Inc.
18571 E. Gale Ave.
City of Industry, CA 91748-1339

626-581-1777

www.kwausea.com

SPECIFICATIONS

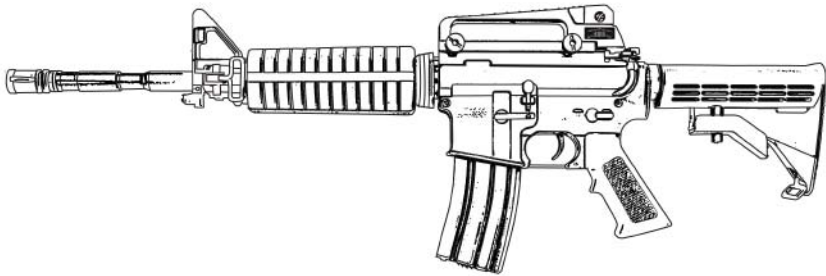
KM4A1

- Overall Length [Retracted] = 77.47 cm (30.5")
- Overall Length [Extended] = 85.73 cm (33.75")
- Outer Barrel Length = 38.1 cm (15")
- Inner Barrel Length = 395 mm
- Inner Barrel Diameter = 6.05 mm
- Weight = 3.03 kg (6.68 lbs)
- Barrel thread = -14 mm
- Caliber = 6 mm
- Magazine Capacity = 350 rounds
- Rate of Fire = 20+ RPS
- Velocity = 118-125 MPS (390-410 FPS)
- Energy Output with .20g BB = 1.49 Joules
- Power Source = 9.6v NiMh, 7.4v or 11.1v 15c Li-po/Li-Fe

Special Features:

- KWA 2GX Gearbox
- KWA 2G High Performance Bucking
- Fiber reinforced handguard with battery compartment
- Removable carry handle
- Full metal alloy flat top receivers
- Adjustable front and rear sights
- 6 position collapsible stock
- Semi and Full Auto selective fire
- Adjustable Hop-up

*Individual test results may vary depending on brand of BBs, and chronograph used.



SPECIFICATIONS

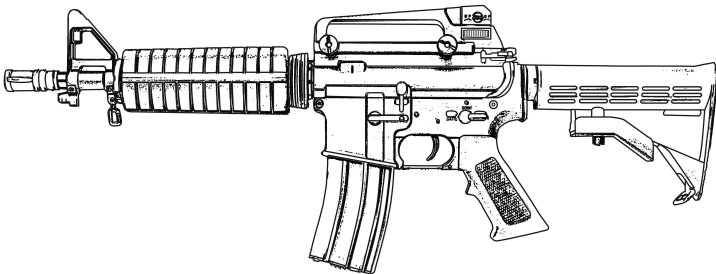
KM4CQB

- Overall Length [Retracted] = 67.31 cm (26.5")
- Overall Length [Extended] = 75.65 cm (29.75")
- Outer Barrel Length = 283 cm (11.14")
- Inner Barrel Length = 273 mm
- Inner Barrel Diameter = 6.05 mm
- Weight = 2.91 kg (6.42 lbs)
- Barrel thread = -14 mm
- Caliber = 6 mm
- Magazine Capacity = 350 rounds
- Rate of Fire = 20+ RPS
- Velocity = 100~107 MPS (330~350 FPS)
- Energy Output with .20g BB = 1.14 Joules
- Power Source = 9.6v NiMh, 7.4v or 11.1v 15c Li-po/Li-Fe

Special Features:

- KWA 2GX Gearbox
- KWA 2G High Performance Gearbox
- Fiber reinforced handguard with battery compartment
- Removable carry handle
- Full metal alloy flat top receivers
- Adjustable front and rear sights
- 6 position collapsible stock
- Semi and Full Auto selective fire
- Adjustable Hop-up
- High speed calibration

*Individual test results may vary depending on brand of BBs, and chronograph used.



FUNCTIONS AND FEATURES

KM4A1

The KWA KM4A1 Carbine is the first production AEG engineered specifically for the unparalleled performance of today's advanced battery technology – Lithium Polymer (LiPo). LiPo batteries provide higher capacity and superior performance surpassing the more common Nickel Metal Hydride (NiMh) batteries. However, this powerful battery requires the highest quality of internal components. To handle the extra power of LiPo batteries, the KM4A1 is equipped with a reinforced metal gearbox utilizing KWA's exclusive six 9mm ball bearing bushing combination and heat treated, precision metal gear sets. Heavy duty springs and high-torque motors are matched for optimum performance. High-grade metal alloy are used for the production of the upper and lower receivers. The KWA KM4A1 Carbine was engineered to outperform the competition, offering ultra high performance and dependability straight out of the box!

KM4CQB

The KM4 CQB was designed and engineered especially for close quarters battle scenarios with a 350 FPS limit. After initial break-in period, the KM4 CQB shoots consistently below 350 FPS but fires more than 20+ rounds per second using .20 gram BBs. The KM4 CQB is "LiPo-Ready" and share all the standard features found on the KM4A1. All of the internal components have been finely tuned and recalibrated to provide the maximum rate of fire while maintaining the 350 FPS limit.

PACKAGE CONTENTS

- 1 KM4A1/KM4CQB Airsoft Gun
- 2 Allen Wrenches (For cap screw removal)
- 1 Safety Cap
- 1 Sight Adjustment Tool
- 1 Cleaning Rod
- 1 Owners Manual

BREAK-IN PERIOD

Airsoft guns, like many other products require a "break-in" period to ensure the optimal performance. This break-in period allows the spring, piston, gears and other moving parts to be seated and become more consistent in their movements. Every new KM4 Airsoft gun spring is manufactured with more tension than is required, this break-in period will allow the spring to "settle" and operate at the specified FPS range.

The KWA KM4 Airsoft gun's break-in period will require a minimum of 2000 rounds. During this break-in period, the Airsoft gun will require more cleaning because it will expel excessive grease from the gearbox. After the break-in period, the gun will operate within factory specification. The accuracy of the brass barrel will also improve as you continue to use the gun.

LOADING HIGH CAP MAGAZINE

1. Release the magazine from the Airsoft gun by pressing the magazine release button.
2. Open the magazine top plate and pour Airsoft BBs into the chamber. Close the plate when the chamber is full.
3. Turn the winding wheel on the bottom of the magazine to tighten the spring tension. This will allow the Airsoft BBs to feed through the top of the magazine.
4. Insert the magazine into the Airsoft gun until it clicks into place.

NOTE: Spring tension will unwind as you fire the gun. Continue winding the magazine regularly as necessary to empty the high cap magazine.

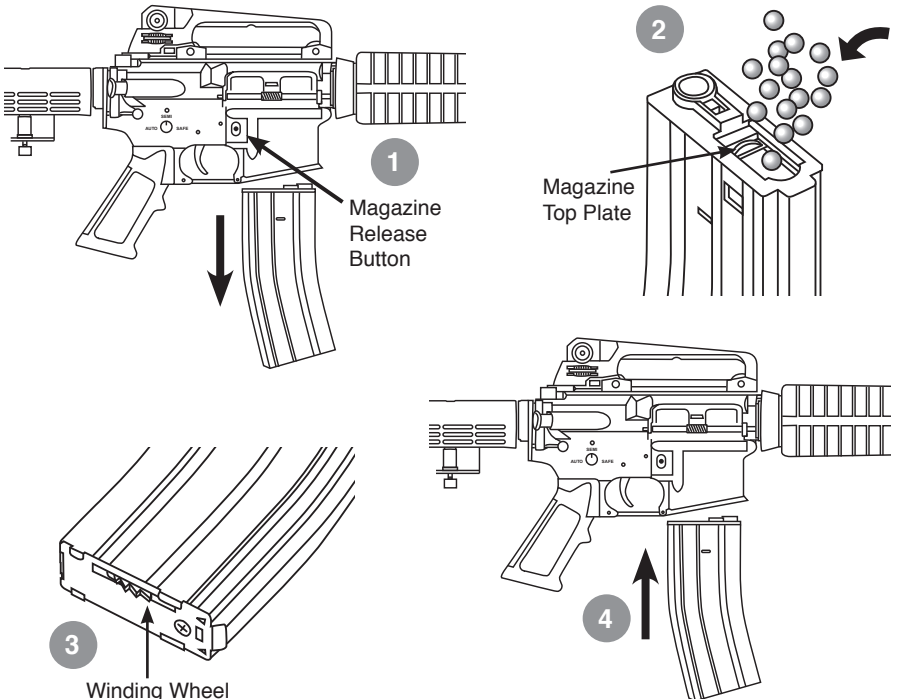
Loading safety tips:

- Switch the selector to safe
- Be sure the safety cap is on
- Keep your finger off the trigger at all times



WARNING: Use only 6mm high grade BBs. Using low grade BBs will damage Airsoft gun.

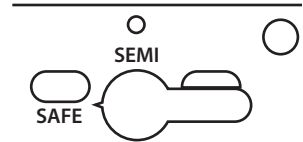
NOTE: Use 0.25g or heavier BBs for better performance.



FIRE SELECTOR SWITCH

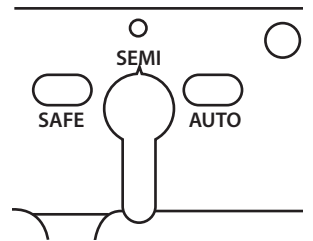
1. Safe

In Safe mode the gun will not fire. For safety reason, you should keep the switch in Safe mode at all times when you are not ready to fire.



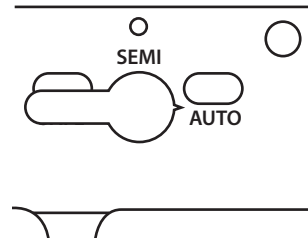
2. Semi-Auto

In Semi-Auto mode the gun will fire one shot for each time you pull the trigger.



3. Full Auto

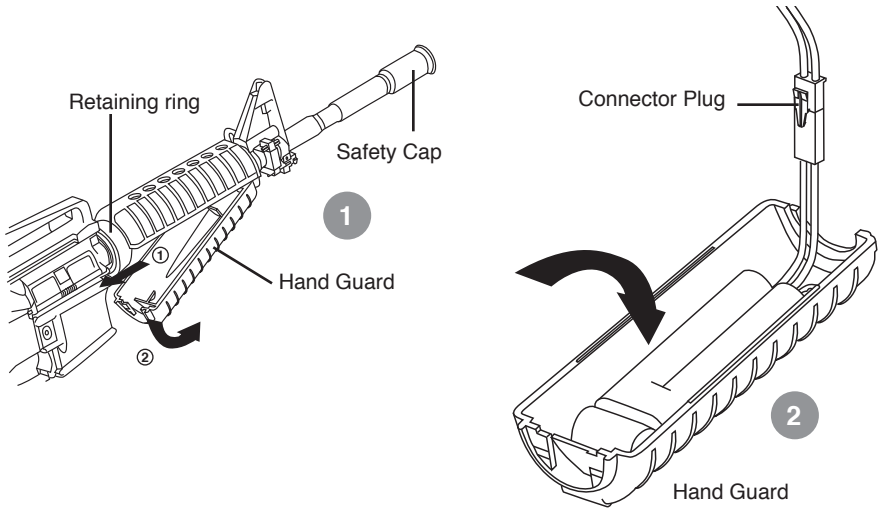
In this Full Auto mode the gun will fire continuously as long as the trigger is depressed.



WARNING: Do not pull the trigger when switching the fire selector.

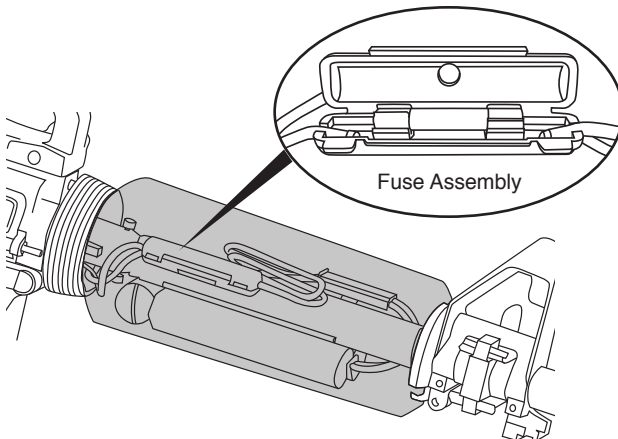
BATTERY INSTALLATION

1. Set the fire selector to safe mode. Place the safety cap on the barrel end. Slide the retaining ring back and remove the lower part of the hand guard.
2. Place the battery into the lower half of the hand guard. Push the connector plugs together firmly until they click into place.
3. Replace the lower battery cover and slide the retaining ring back into place.



FUSE

To replace the fuse, open the hand guard by following the same procedure as the battery installation. Open the fuse assembly and replace the fuse with a 15A glass fuse.



HOP-UP SYSTEM

The Hop-Up device is one of KWA's standard features, giving Airsoft BBs greater stability, further travel and increased accuracy. Airsoft BBs are light-weight and can be affected by wind when fired. With the Hop-Up system, the trajectory of the Airsoft BBs can be adjusted according to the shooting environment or surroundings.

HOP-UP ADJUSTMENT

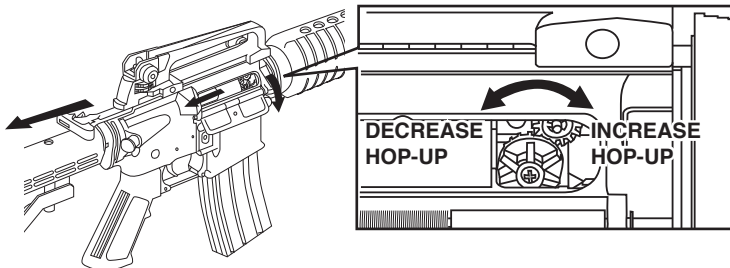
- Pull the charging handle to the rear, the ejection port will open and Hop-Up adjustment dial is revealed. Pull and hold charging handle to the rear when adjusting Hop-Up.
- Turn the Hop-Up adjustment dial forward to increase hop-up. Turn the Hop-Up adjustment dial backward to decrease hop-up.
- Excessively turning of Hop-Up adjustment dial forward can cause Airsoft BBs to jam. Continued firing with a jammed barrel will cause damage to the gearbox.
- When jamming occurs, immediately stop shooting and turn the Hop-Up adjustment dial backward to decrease hop. Remove jammed Airsoft BBs.

Before removing jammed Airsoft BBs, be sure to return the hop-up adjustment dial to normal position. After removal of Airsoft BBs, test fire 2 – 3 rounds to check for clearance. Resume adjustment. KWA Airsoft guns are made with precision barrel, use only new, quality Airsoft BBs. The use of recycled or low quality Airsoft BBs are the primary cause of jamming. In most cases, it can severely damage the gearbox and inner barrel.

Excessive Hop – Airsoft BB travels an upward trajectory path. Turn Hop-Up adjustment dial backward to decrease hop-up.

Perfect Hop – Airsoft BB travels long distance horizontally.

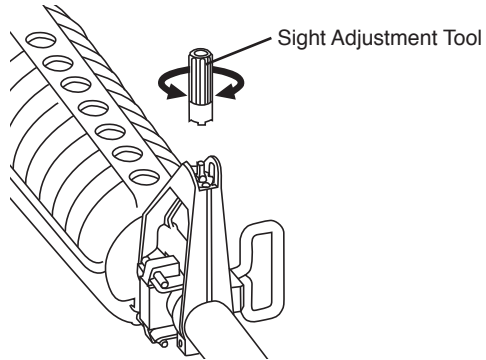
Inefficient Hop – Airsoft BB travels a downward trajectory path. Turn Hop-Up adjustment dial forward to increase hop.



FRONT AND REAR SIGHT ADJUSTMENT

FRONT SIGHT ADJUSTMENT

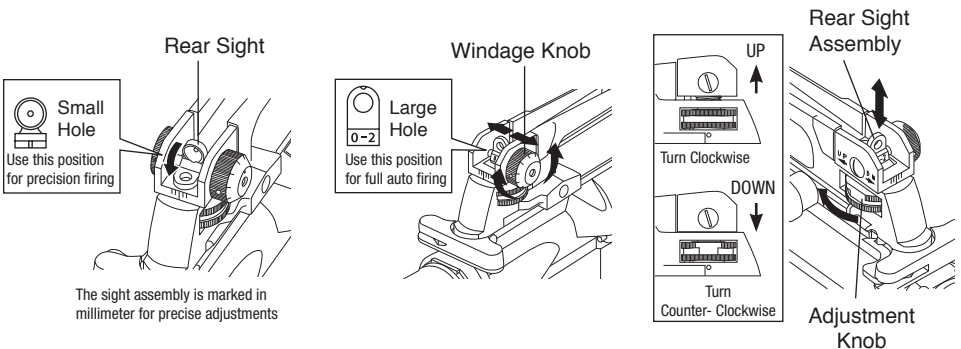
- The front sight can be moved up and down when zeroing rear sight
- Turn counter clockwise to lower the point of impact
- Stop turning when a click sound is heard



WARNING! If turned too far, the front sight will come off.

REAR SIGHT ADJUSTMENT

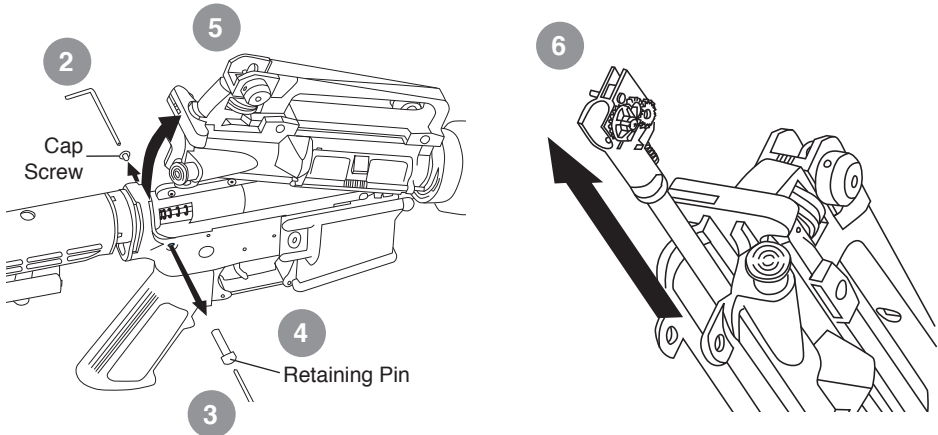
- Flip the rear sight between general and precise aiming
- To adjust the horizontal point of impact, rotate the windage knob located on the rear of the sight
- To adjust the vertical point of impact, rotate the sight elevation knob located on the left and right side of the sight



DISASSEMBLY

Note: Before opening the receiver, the piston must be in the forward position.

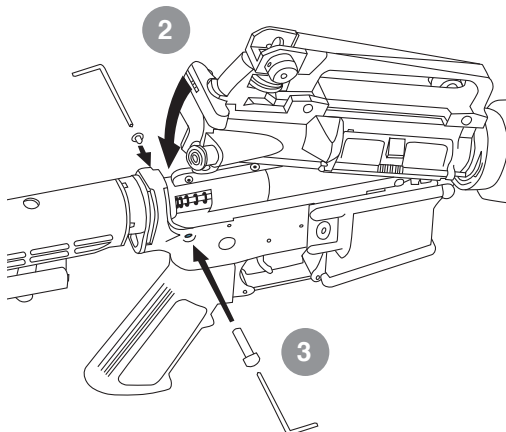
1. Shoot in semi-automatic mode 2-3 times to clear the barrel and reset the piston.
2. Remove the Rear Pin only from lower receiver with the provided Allen wrenches.
3. Use 1 wrench to hold the cap screw and one to turn the set pin.
4. After removal of the cap screw, use the allen wrench to push the pin out.
5. Pull the Upper receiver up.
6. Slide out the inner barrel with Hop-Up assembly.



WARNING: Before removing any parts, be sure the fire selector is set to "SAFE". Always place safety cap on the barrel tip when servicing your gun.

ASSEMBLY

1. Insert the inner barrel and Hop-Up assembly into the upper receiver.
2. Secure the Hop-Up assembly into the upper receiver. Push down the upper receiver to close.
3. Align the pin holes. Insert Pin and use the allen wrench to tighten the cap screw.



CLEANING AND LUBRICATION

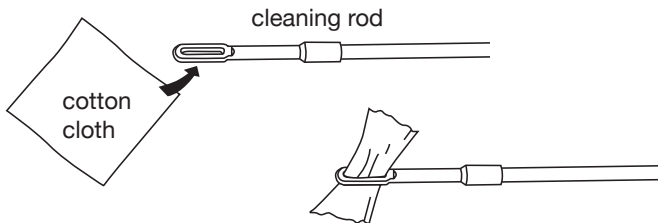


WARNING! Unload and clear the Airsoft gun of all BBs before cleaning.

Cleaning Procedure

The Airsoft gun barrel should be cleaned and lubricated after each shooting session. Regular cleaning prevents the effects of BB residue buildup, and ensures all parts are lubricated properly.

1. Ensure that the safety is engaged
2. Disable Hop-Up by dialing to the normal position
3. Remove the magazine and clear the chamber of loaded BBs
4. Disassemble the receiver (see Disassembly section)
5. Steps to use cleaning rod:
 - a. Cut a piece of clean cotton cloth to 1 inch by 0.5 inch size. Insert one end of the cloth into the hole in the cleaning rod (adjust the length of cloth for smooth entry into the barrel)
 - b. Wind the cloth around the cleaning rod
 - c. Insert the cleaning rod into the inner barrel, turning the rod as you insert into the barrel
 - d. Remove the cleaning rod and check the cotton cloth for dirt. Repeat steps a. through c. when necessary



6. Clean the remainder of the Airsoft gun with cotton-tipped swabs, or general purpose cleaning cloths.

BASIC TROUBLESHOOTING FOR RIFLE

SYMPTOMS	CAUSE	SOLUTIONS
Air Soft gun is not firing	Selector set to Safe Mode	Select Semi-Auto or Full-Auto Mode
	Dead battery	Replace or Charge battery
	Burned out fuse	Replace with a new fuse
	Motor damaged or bad connection	Return gun for professional care
	Pinched wiring	Return gun for professional care
Motor is running but not firing	Internal failure	Return gun for professional care
Motor or Battery is hot after short use	Pinched wiring	Return gun for professional care
	Motor damaged or bad connection	Return gun for professional care
Semi-Auto feature not functioning properly	Incorrect timing	Set selector to full-auto mode. Dry fire 10-20 rounds before returning it to semi-auto mode
Semi-Auto feature not functioning at all	Internal failure	Return gun for professional care
Firing cycle slows down	Weak battery	Recharge battery
High pitch or grinding noise	Gear may be damaged or Motor level not adjusted	Return gun for professional care
BB travels upward	Excessive hop	Turn hop adjustment dial backward
BB travels downward	Insufficient hop	Turn hop adjustment dial forward
BB double feeding or rolling out of the barrel	Excessive oil in chamber	Fire 200 rounds to eliminate excessive oil
	Hop-Up unit is contaminated	Clean Hop-Up unit with supplied cleaning rod
	Hop-Up unit may be damaged	Return gun for professional care
Hop-Up unit can't be adjusted	Damaged adjustment dial or internal parts	Return gun for professional care
Inner barrel is jammed	Use of recycled or low quality BBs	Use KWA Perfect BBs or other high quality BBs
	Inner barrel is contaminated	Clean inner barrel with supplied cleaning rod
	Inner barrel is damaged	Return gun for professional care
Hi-cap magazine not feeding	Magazine has not been wound.	Wind wheel underneath magazine
	BBs are lodged inside the magazine	Shake or tap magazine to unclog the BBs
	Internal failure	Return gun for professional care

OPERATING UNDER UNUSUAL CONDITIONS

Unusual conditions are defined as any condition requiring special maintenance. Perform maintenance outlined for the climate similar to your operational area

Extreme Cold:

Operating an Airsoft gas gun in extremely cold temperatures is not recommended. Cold temperature will cause the Hop-Up Bucking to harden, reducing its effectiveness or cause the gearbox shell to fracture during operation, rendering the gun inoperable.

Extreme Heat:

Do not keep Airsoft gun and batteries under direct sunlight for long periods of time.

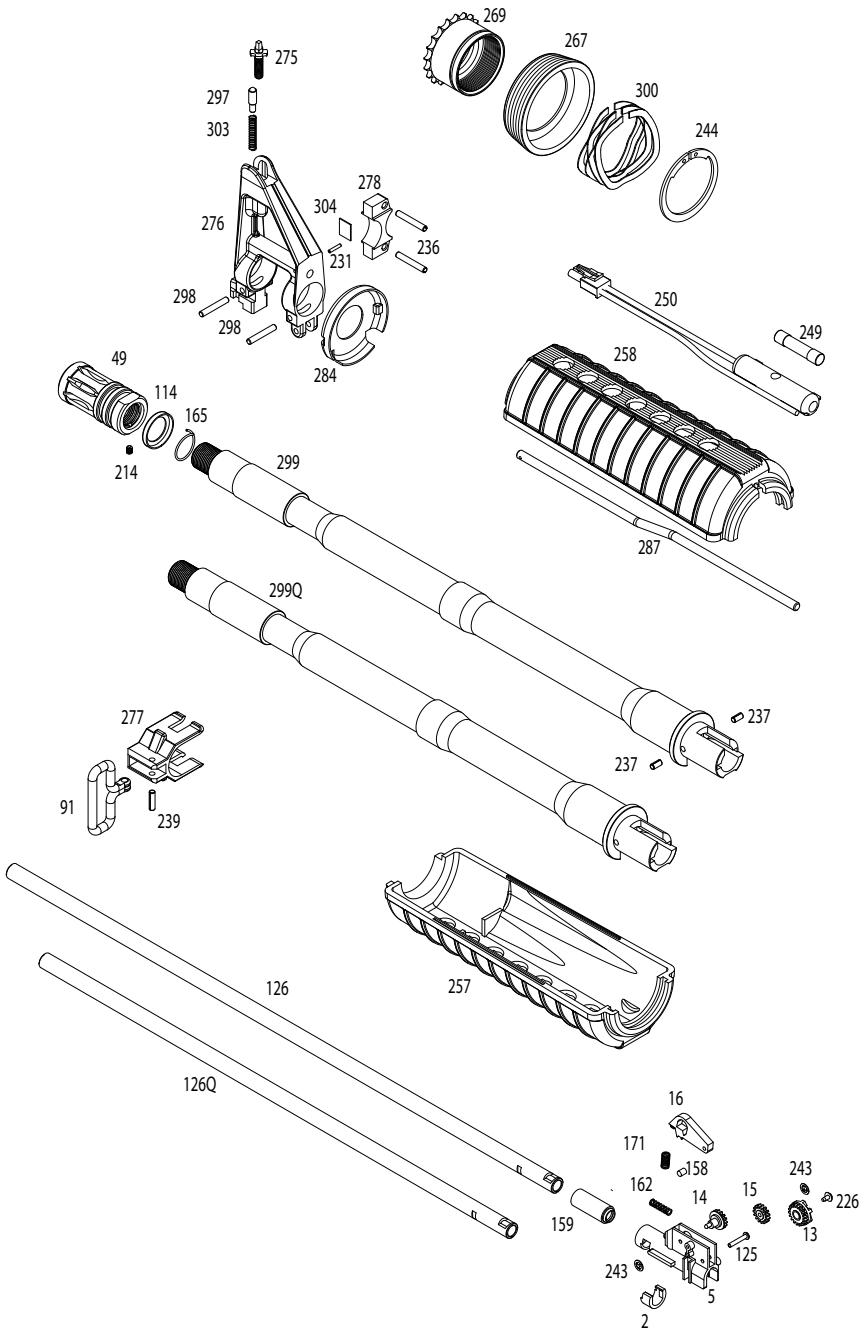
Dust or Sand:

Dust or sand can get into a gun and cause malfunctions and/or excessive wear. Keep the gun covered whenever possible. Use lubricant sparingly, as lube naturally attracts dirt and other particles. After use in a dusty area, always field strip the gun (refer to Disassembly Section) and clean any areas you can reach with a soft, lint-free cloth.

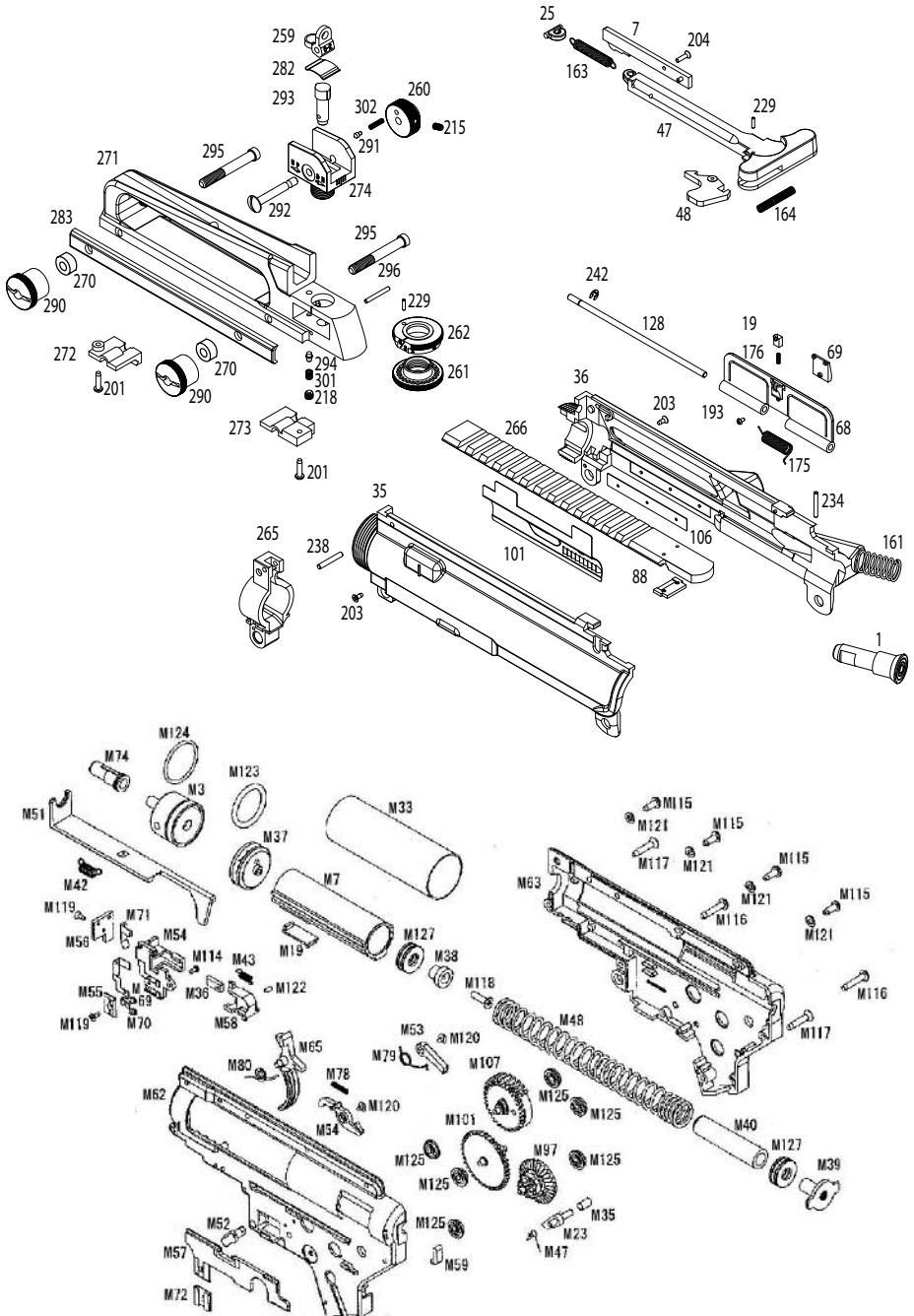
Heavy Rain:

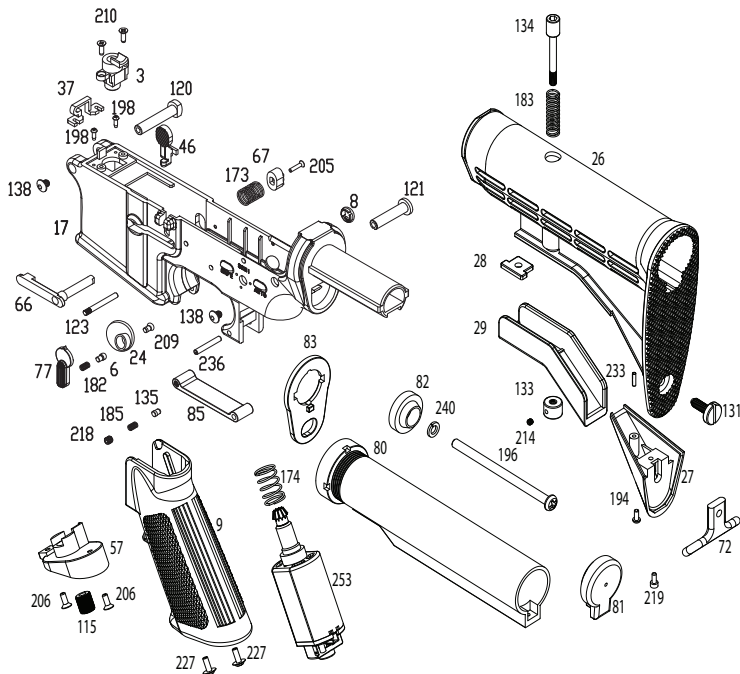
Keep the gun out of the rain and water. This will prevent electrical failure and fluid build-up inside the mechbox. Dry gun completely with clean cloth and clean inner barrel if necessary.

KM4A1, KM4CQB DIAGRAM



KM4A1, KM4CQB DIAGRAM





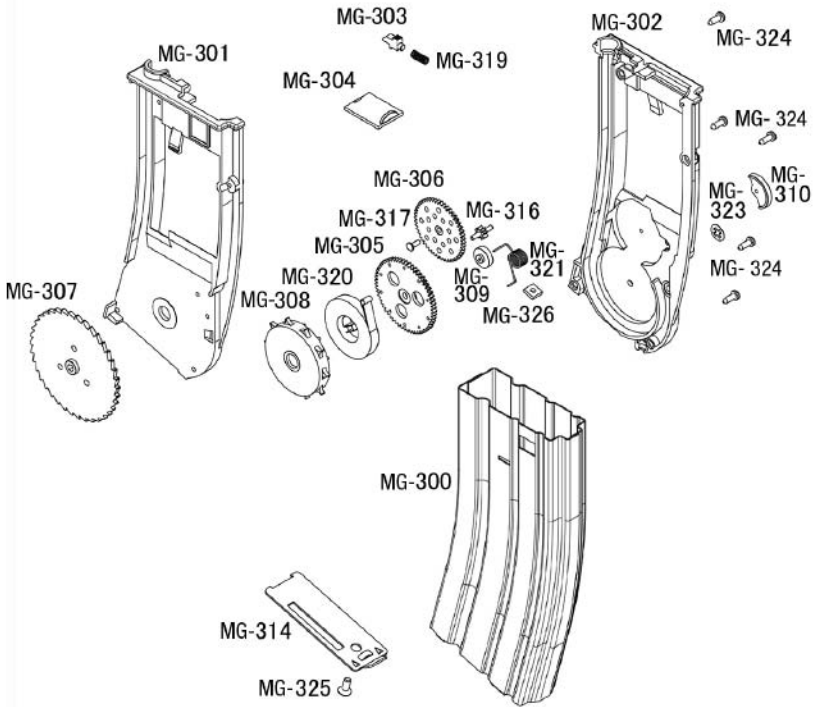
KM4A1, KM4CQB PARTS LIST

Parts #	Description	Parts #	Description	Parts #	Description
1	Forward Assist Button	27	Swivel Cover	M52	Safety Lever Base
2	Inner Barrel Retainer	28	Stock Latch Spacer	M53	Safety Lever
3	BB Ramp	29	Stock Lever	M54	Switch (Assembly)
M3	Cylinder Head (Main)	M33	Cylinder	M55	Switch (Assembly)
5	Chamber Block	35	Upper Receiver (Left)	M56	Switch (Assembly)
6	Detente	M35	Anti-Reversal Latch (Assembly)	57	Motor Cover Plate
7	Bolt Plate Carrier	36	Upper Receiver (Right)	M57	Selector Plate
M7	Piston (Main)	M36	Switch (Assembly)	M58	Switch (Assembly)
8	Selector Cover	37	Wire Holder	M59	Wire Retainer
9	Grip	M37	Piston Head	M62	Gearbox Shell (Left)
13	Hop-Up Adjustment Wheel	M38	Piston (Assembly)	M63	Gearbox Shell (Right)
14	Hop-Up Spindle (Small)	M39	Spring Guide (Assembly)	M64	Disconnect
15	Hop-Up Spindle (Large)	M40	Spring Guide (Assembly)	M65	Trigger
16	Hop-Up Bar	M42	Tappet Plate Spring	66	Magazine Catch
17	Lower Receiver	M43	Switch (Assembly)	67	Magazine Catch Button
19	Ejection Port Cover Lock Plunger	46	Bolt Catch	68	Ejection Port Cover
M19	Piston Plate	47	Charging Handle	69	Ejection Port Cover Lock
M23	Anti-Reversal Latch (Assembly)	M47	Anti-Reversal Latch Spring	M69	Switch (Assembly)
24	Selector Plate	48	Charging Handle Latch	M70	Switch (Assembly)
25	Charging Handle Spring Hook	M48	Main Spring	M71	Switch (Assembly)
26	Retracting Stock	49	Flash Hider	72	Stock Swivel
		M51	Tappet Plate	M72	Selector Plate Contact

KM4A1, KM4CQB PARTS LIST

Parts #	Description	Parts #	Description	Parts #	Description
M74	Air Nozzle	161	Forward Assist Button Spring	244	Locking Clamp
77	Selector	162	Chamber Block Spring	249	Fuse
M78	Disconnect Spring	163	Charging Handle Spring	250	Power Supply Wire
M79	Safety Lever Spring	164	Charging Handle Latch Spring	252	Gear Box
80	Stock Tube	165	Flash Hider Spring	253	Motor
M80	Trigger Spring	171	Hop-Up Bar Spring	257	Lower Hand Guard
81	Stock Tube Cap	173	Magazine Catch Spring	258	Top Hand Guard
82	Stock Tube Retainer	174	Motor Tension Spring	259	Rear Sight
83	Receiver End Plate	175	Ejection Port Cover Spring	260	Windage Knob
85	Trigger Guard	176	Ejection Port Cover Lock Spring	261	Elevation Knob Dial Base
88	Rail Retaining Block	183	Stock Bolt Spring	262	Elevation Knob Dial
91	Swivel Front	182	Selector Spring	265	Barrel Assembly Block
M97	Bevel Gear	185	Trigger Guard Plunger Spring	266	Weaver Rail
101	Bolt Plate	193	Ejection Port Cover Screw	267	Hand Guard Ring
M101	Spur Gear	194	Swivel Cover Screw	269	Barrel Nut
106	Dust Cover Retainer	196	Stock Bolt	270	Carry Handle Knob Spacers X 2
M107	Sector Gear	198	Wire Clamp Screws X 2	271	Carry Handle
114	Flash Hider Washer	201	Carry Handle Lock Screws X 2	272	Carry Handle Lock Front "A"
M114	Switch (Assembly)	203	Screw M2X5 X 2	273	Carry Handle Lock Rear "B"
115	Motor Adjustment Screw	204	Bolt Plate Carrier Screw	274	Rear Sight Housing Base
M115	Screw X 4	205	Magazine Catch Screw	275	Front Sight
M116	Screw X 2	206	Motor Plate Screws X 2 "Metric"	276	Front Sight Housing Base
M117	Screw X 2	209	Selector Screw	277	Swivel Base
M118	Piston (Assembly)	210	BB Ramp Screws X 2	278	Swivel Base Lock
M119	Switch (Assembly)	214	Screw M3X3 SC X 2	282	Rear Sight Plate Spring
120	Take Down Pin (Front)	215	Windage Knob Set Screw	283	Carry Handle Locking Plate
M120	Disconnect Screw X 2	218	Screw M3X8 SC X 2	284	Hand Guard End Cap
121	Take Down Pin (Rear)	219	Cap Set Screw	287	Gas Tube
M121	Locking Washer (Gearbox) X 4	226	Hop-Up Wheel Screw	290	Carry Handle Knobs X 2
M122	Switch (Assembly)	227	Grip Screws X 2	291	Windage Knob Plunger
123	Piston O-Ring	229	Charging Handle Latch Pins X 2	292	Rear Sight Windage Screw
M123	Gear Box Set Pin	231	Gas Tube Pin	293	Elevation Bar
M124	Cylinder O-Ring	233	Swivel Cover Pin	294	Rear Sight Elevation Plunger
125	Hop-Up Bar Pin	234	Forward Assist Button Pin	295	Carry Handle Bolts X 2
M125	9mm Bearing X 6	236	SP 3 X 20 Roll Pins X 3	296	Elevation Knob Pin
126	Inner Barrel	237	Barrel Base Pins X 2	297	Front Sight Plunger
126Q	Inner Barrel "KM4S CQB"	238	Weaver Rail Pin	298	Front Sight Housing Pins X 2
M127	Piston (Assembly) X 2	239	Front Swivel Pin	299	Outer Barrel
128	Ejection Port Cover Pin	240	Bolt Washer	299Q	Outer Barrel "KM4S CQB"
131	Swivel Screw	242	Pin Retaining Ring	300	Hand Guard Lock Spring
133	Lever Retainer	243	Hop-Up Spindle Rings X 2	301	Rear Sight Elevation Spring
134	Stock Lever Pin			302	Windage Knob Spring
135	Trigger Guard Lock Pin			303	Front Sight Spring
138	Receiver Pin Screws X 2			304	Swivel Mount Spacer
158	Hop-Up Cylinder				
159	Hop-Up Bucking				

KM4 SERIES MAGAZINE DIAGRAM AND PARTS LIST



Parts #	Description
199-1002-MG300	Magazine Case
199-1002-MG301	Inner Magazine Housing (Left)
199-1002-MG302	Inner Magazine Housing (Right)
199-1002-MG303	BB Stop
199-1002-MG304	BB Compartment Cover
199-1002-MG305	Gear # 1
199-1002-MG306	Gear # 2
199-1002-MG307	Winding Wheel
199-1002-MG308	BB Spindle
199-1002-MG309	Counter Weight Wheel

Parts #	Description
199-1002-MG310	Half Wheel Counter Weight
199-1002-MG314	Magazine Base Plate
199-1002-MG316	Sprocket Shaft
199-1002-MG317	Sprocket Wheel Pin
199-1002-MG319	BB Stop Spring
199-1002-MG320	Coil Spring
199-1002-MG321	Counter Weight Spring
199-1002-MG323	Half Wheel Retainer Clip
199-1002-MG324	Phillip Screws X 5
199-1002-MG325	Magazine Base Plate Screw
199-1002-MG326	Base Plate Nut



KWA Performance Industries, Inc.

18571 E. Gale Ave

City of Industry, CA 91748

T: 626.581.1777 • F: 626.581.0777

www.kwausa.com