

MASADA ACR

Instruction Manual



UNIVERSO SNIPER
AIRSOFT



MAGPUL

PROFESSIONAL TRAINING AND SIMULATION DIVISION



MAGPUL PTS
PROFESSIONAL TRAINING AND SIMULATION DIVISION



WARNING!

User restricted to 18 years of age or older.

You must read through this Instruction Manual before operating this airsoft gun.

Always wear proper eye and face protection.

Obey all your local laws and regulations regarding ownership and usage of airsoft guns.

Misuse or careless use may result in serious injury or other consequences.

MADE IN HONG KONG

www.magpul-pts.com
sales@magpul-pts.com

SAFETY INSTRUCTIONS AND HANDLING

You should be fully familiar with the proper and safe handling of your airsoft gun. The basic principles of weapons safety require you to always apply the following rules when handling airsoft guns:

- Always treat an airsoft gun/weapon as if it were loaded.
- Always put the safety of an airsoft gun/weapon to "SAFE" when loading it so that there can be no risk of an unintentional discharge.
- Keep your finger off the trigger and outside the trigger guard until you are ready to shoot.
- Always keep the muzzle pointed in a safe direction.
- Never aim your airsoft gun/weapon at persons, animals or property. To avoid ricochets, never fire at smooth, hard surfaces or water.
- Before you discharge your airsoft gun/weapon, make sure that the target and surrounding area is safe. Always be aware of your target's foreground and background.
- Proper eye protection should always be worn when firing an airsoft gun/weapon.
- Always store your airsoft gun/weapon in a safe place, in an unloaded condition and out of reach from children.
- This airsoft gun/weapon along with its operating instructions may only be handed over to persons who have reached the age of 18 (or older) and who are fully familiar with the handling of it.
- Modifications and/or repairs to the airsoft gun/weapon should only be completed by authorized agencies or by a skilled gunsmith.
- Never leave the loaded airsoft gun/weapon unattended.
- Only an unloaded airsoft gun/weapon is to be handed over to another person.

CAUTION

- You must be 18 years or older to purchase this airsoft gun.
- Any alteration or conversion done to this airsoft product that leads to a different classification of the airsoft gun/weapon in regards to the applicable firearms legislation may render it illegal. If these circumstances occur, the manufacturer's warranty becomes immediately null and void.

WARNING

- Do not brandish or display this airsoft product in public - it may confuse people and may be a crime in your area. Police and others may view it as a firearm and they may react under that assumption. Do not change the coloration and markings to make it look like a real firearm. That is dangerous and may be a crime.
- Observe safe firearm handling practices at all times. Failure to do so may result in serious bodily injury or death. Magpul PTS is not responsible for injury, death or property damage resulting from faulty installation, misuse, illegal use, or modification of this product.
- Magpul PTS products feature design modification and/or material construction that renders them incompatible with real firearms.
- DO NOT attempt to install, modify, or otherwise adapt PTS products for use on real firearms, as damage to the weapon and/or serious personal injury may occur.



Magpul PTS Masada™ Adaptive Combat Rifle (ACR™)

The PTS Masada™ Adaptive Combat Rifle (ACR™) is an airsoft AEG (Automatic Electric Gun) which is based on the Magpul ACR™ design, completely reproduced in all its details. It can be rapidly reconfigured for length, magazine compatibility, stock type, and fire-control setup.

Core features:

- Enhanced Version III type gear box AEG.
- Tool-less quick-change barrel system.
- CNC machined upper receiver (serialized) is made from 6063 aluminium alloy.
- Milled into the top of the receiver is a 37 slot, continuous, military specification 1913 rail for mounting optics.
- Flip up iron front sight compatible with standard Airsoft M4/M16 rear sights.
- The lower receiver is made from reinforced polymer.
- Fully ambidextrous controls include the fire selector, magazine release, and bolt release / bolt lock-back.
- Accepts most brands of M4/M16 AEG magazines.
- Optional rail mounting points are integrated on both the short and long versions of the polymer hand-guard at the 3, 6 and 9 o'clock positions.
- Standard Fixed Carbine Stock with adjustable cheek riser. Fixed Carbine stock and multi-adjustable folding stock (available separately) can be easily swapped to adapt to changing mission requirements.
- 14.5" Carbine length barrel.

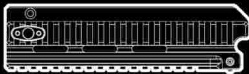
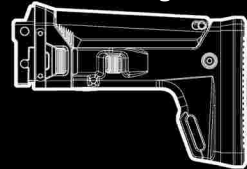
Optional Accessories (Sold separately):

11.5" barrel (AK)
 10.5" barrel (CQB)

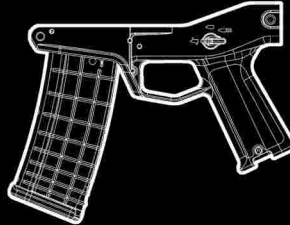


Polymer made AK style Lower receiver

Multi-adjustable folding stock



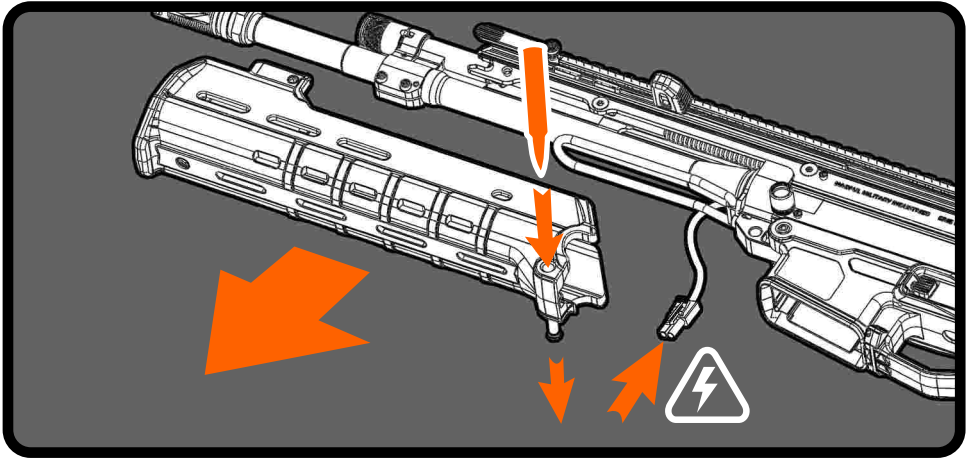
Aluminium Alloy hand-guards



Optional Accessories
 (Sold separately)

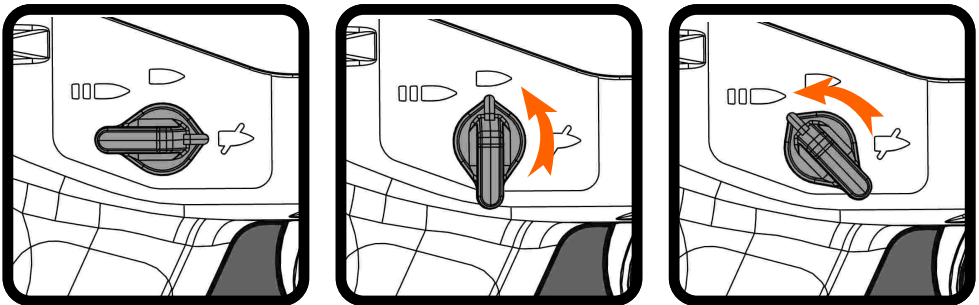
- Multi-adjustable folding stock
- Polymer made AK style Lower receiver
- Optional Aluminium Alloy hand-guards
- 11.5" barrel (AK)
- 10.5" barrel (CQB)

Battery Installation



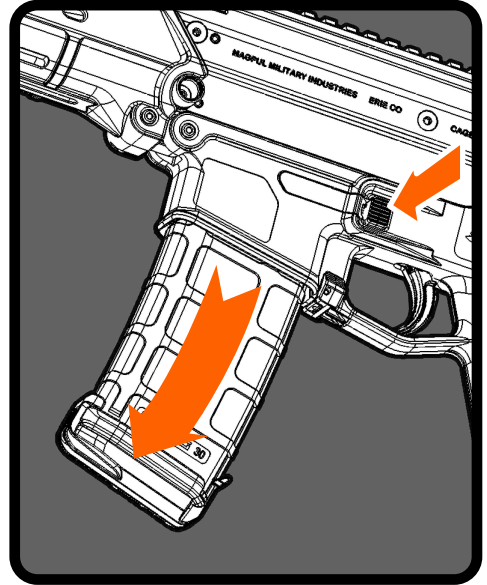
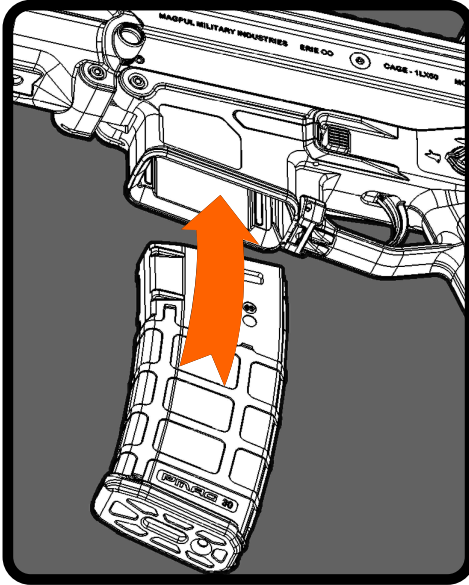
The battery that powers the PTS Masada can be contained within the PTS Masada's polymer hand guard. To remove the hand guard, from the left side, push out the captive pin at the rear of the hand guard. The hand guard can then be removed by sliding it forwards and off the gun. The battery connector previously hidden within the hand guard can now be accessed and an appropriate AEG battery can be connected. The battery is stored within the hand guard once the hand guard is replaced and the pin is pushed back in.

Safety Selector



The PTS Masada has three fire control settings: Safe, Semi-Automatic, and Fully Automatic (shown above). The Safety Selector is fully ambidextrous and changing the setting on one side will also change it accordingly on the other.

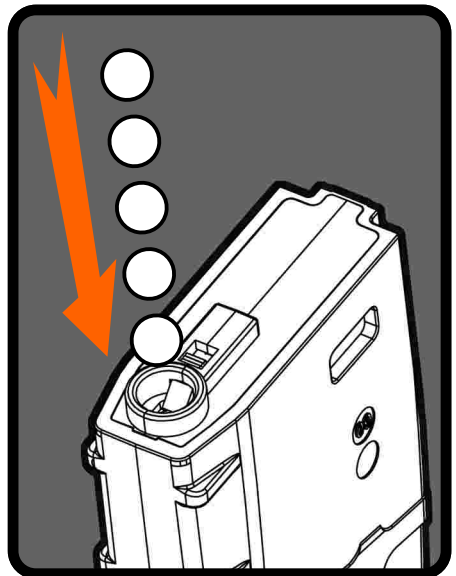
Loading and Unloading the Magazine



The PTS Masada is designed to work with standard M16 style AEG magazines, including Tokyo Marui M16 magazines and Magpul PTS PMAGs. Simply insert the magazine into the magazine well. When it's fully seated, the magazine catch will lock the magazine in place. Depressing the magazine release button, releases the magazine which can then be removed from the gun by pulling the magazine downwards.

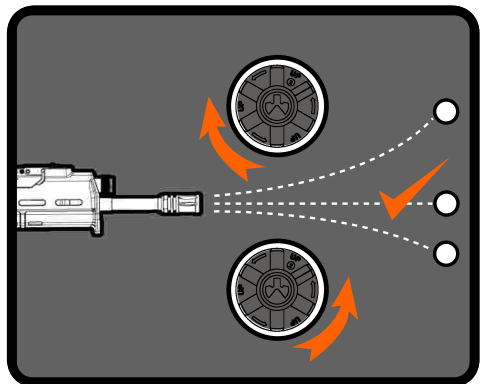
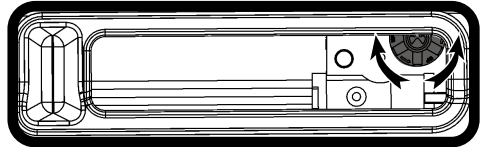
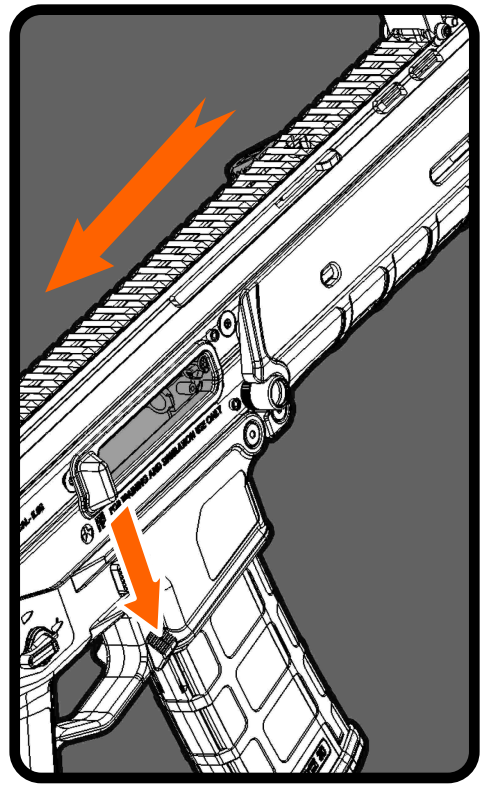
Loading the airsoft magazine

Only use good quality 6mm airsoft BB pellets with your PTS Masada. Using a BB loader, feed the 6mm airsoft BBs into the magazine. The magazine included with the PTS Masada is a 120 round Magpul PTS Midcap magazine.



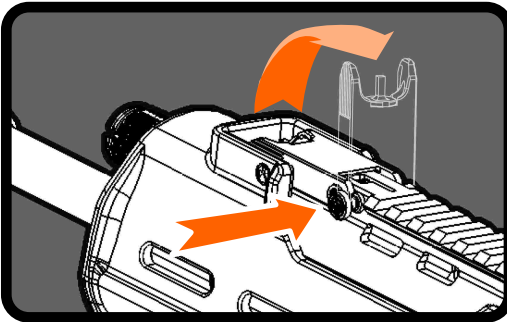
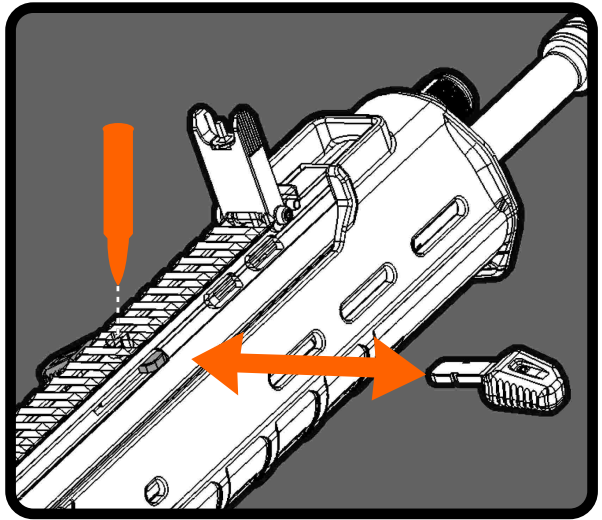
Opening the Chamber and Hop-Up Adjustment

Within the PTS Masada's shell ejection port is a replica bolt that conceals the AEG's hop-up unit. To open the PTS Masada's chamber, pull back on the charging handle. Pulling back the charging handle will lock the replica bolt in a rear position. The hop-up unit is now accessible and the user can adjust the hop-up's setting for optimal performance. Rotate the hop-up unit's dial counter-clockwise to increase hop-up effects, and rotate the dial clockwise to decrease the hop-up effects. To gauge which way to adjust the hop-up, fire a few rounds in a safe direction. If the projectiles drop down prematurely, you will have to increase the hop-up (turn the dial counter-clockwise). If the projectiles curve upwards, you will have to decrease the hop-up (turn the dial clockwise). The ideal setting is when the rounds fired maintain a relatively flat trajectory, essentially a "sweet spot" between too much and too little hop-up. Please keep in mind that any hop-up setting will behave differently from one ammo weight to another (e.g. 0.2 gram BBs versus 0.25 gram BBs). If the hop-up has been adjusted for ideal shot trajectory with a certain weight BB, changing the weight of the BB may require adjustment of the hop-up setting. To close the replica bolt cover, the ambidextrous bolt release buttons are located at the front of the trigger guard on either side of the gun. Pushing down on one of the bolt release buttons, frees the replica bolt cover to move forwards into the closed position.



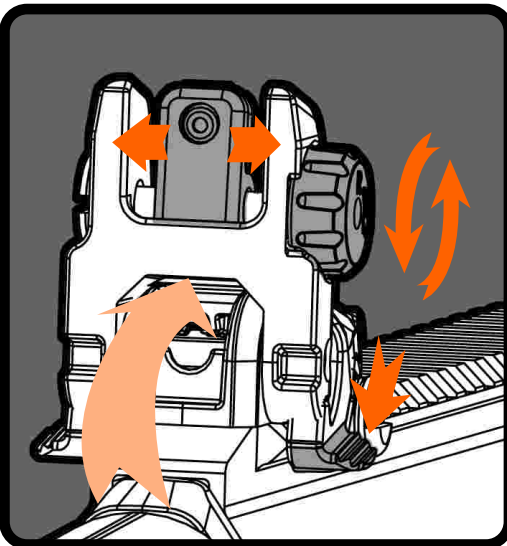
Ambidextrous Charging Handle

The charging handle can be swapped from one side of the gun to the other. When the charging handle is in the forwards position, above the charging handle in the monolithic picatinny rail is a small button. Depressing that small button, allows the charging handle to be removed from the gun and swapped to the opposite side of the gun.

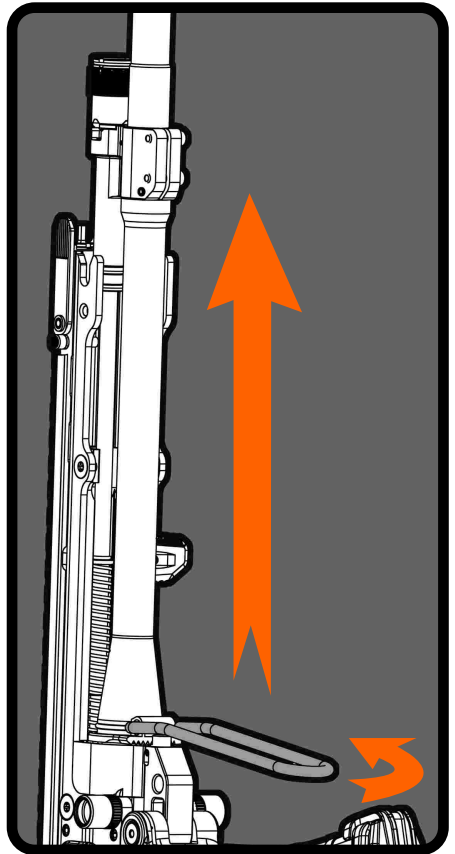
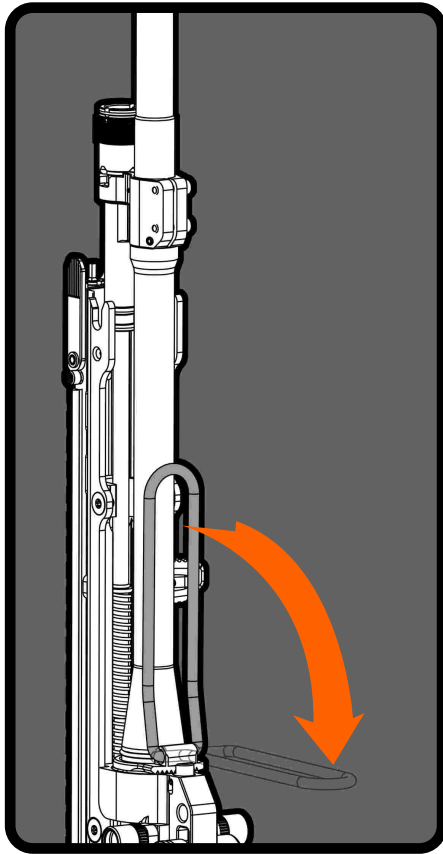


Flip up Integrated Front sight and rear MBUS

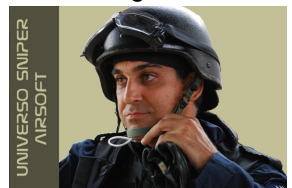
The PTS Masada features an Integrated Front Sight. A small button on the left side of the Integrated Front Sight, can be depressed to have the front sight instantly flip up into a ready position. An included accessory with the PTS Masada is a Magpul PTS rear MBUS (Magpul Back-Up Sight). The MBUS can be flipped up by depressing the tabs on either side of the MBUS, or by depressing the front half of the MBUS. Both the Flip Up Front Sight and rear MBUS will automatically lock into their closed position when they are folded back down. The front sight post can be adjusted for up or down adjustments. The rear MBUS can be adjusted for left or right adjustments.



Barrel Quick Release

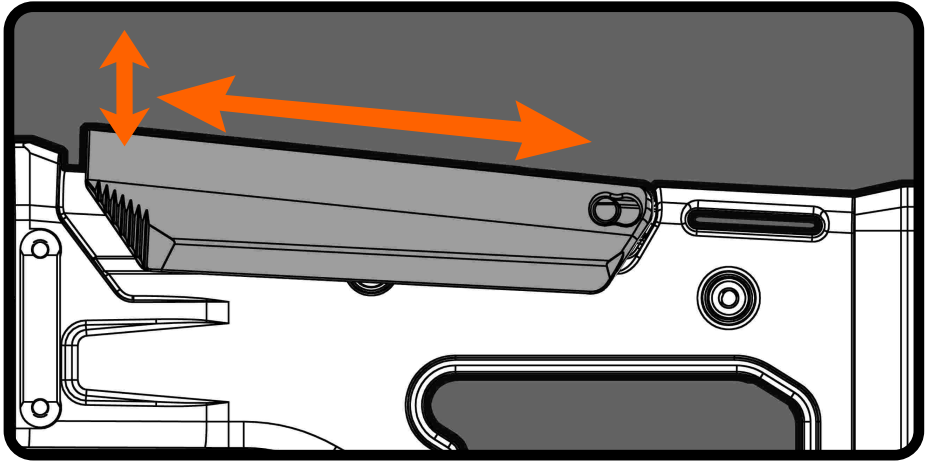


The tool-less quick-change barrel system can be removed in a matter of moments. With the hand guard removed, the barrel's hinged barrel wrench can be flipped down. With the muzzle pointed away from you, rotate the barrel wrench clockwise (towards the PTS Masada's left side) a quarter turn which will unlock the barrel from the gun and the barrel can then slide forwards away from the gun by pulling forwards on the barrel wrench. The Masada's inner barrel and hop-up unit is captured within the quick-change barrel system. Removing the barrel system allows you to exchange the outer barrel system for an outer barrel setup of another length and/or to access the gun's hopUp system to replace the rubber bucking or the inner barrel if needed. To reinstall the barrel system, slide the barrel back into place and rotate the hinged barrel wrench counter-clockwise (towards the Masada's right side) until it is back inline with the gun.



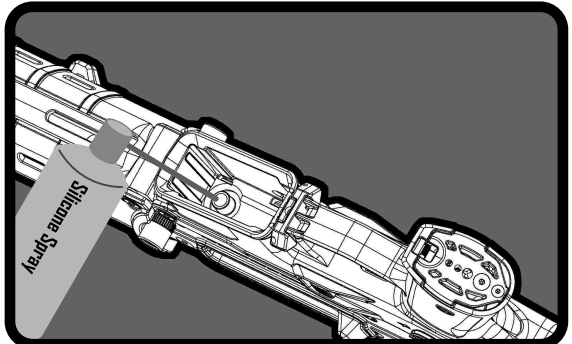
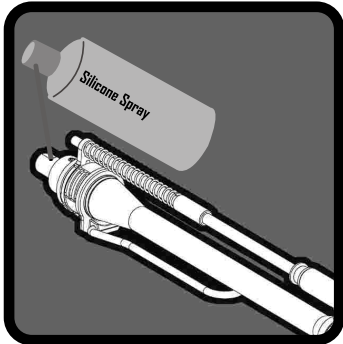
UNIVERSO SNIPER
AIRSOFT

Stock Adjustments



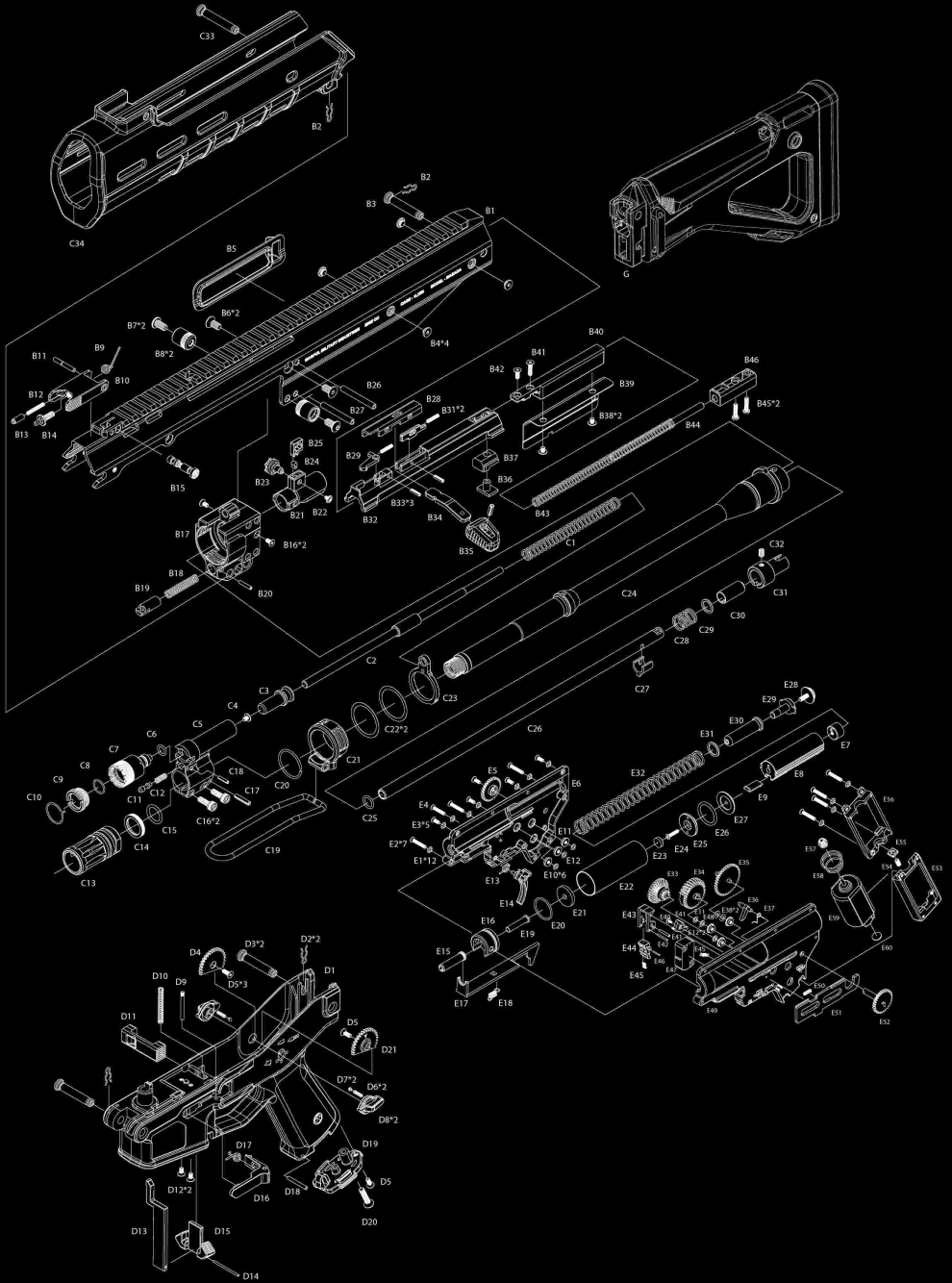
Both the PTS Masada's Multi-Adjustable Fixed and Folding Stocks feature an adjustable cheek rest. The stock can be adjusted to various heights according to the user's preference. To adjust the height of the cheek rest, slide the cheek rest rearwards from its locked position. Once the cheek rest is in the rearwards position, the height can be adjusted up and down as needed. When a suitable cheek rest height is decided on, the cheek rest can be locked in place by sliding the cheek rest forwards back into the locked position.

Maintenance with Silicone Spray



Occasional maintenance of your PTS Masada using silicone oil lubricant spray is highly recommended to ensure your AEG is running optimally. There are various different brands and types of silicone oil spray on the retail market for various different end uses, however we recommend only using silicone oil spray manufactured specifically for airsoft purposes. Never ever use WD-40 as an airsoft lubricant. To properly lubricate your Masada, spray a small amount of silicone oil into the hop-up chamber via the BB feed opening, and with the barrel removed, on the hop-up bucking/rubber at the top rear of the hop-up assembly.

Explosive View



ACR AEG Part List Catalogue



B1	Upper Receiver	C10	Diffuser Retainer	E8	Piston
B2	Push Pin Retainer Clip	C11	Gas Block Pin	E9	Ground Racks
B3	Push Pin	C12	Spring	E10	Box Bearing
B4	Hexagon	C13	Flash Hider	E11	Plain Washer 0.3
B5	Brass Deflector	C14	Flash Hider Ring Adaptor	E12	Plain Washer 0.5
B6	Hexagon	C15	O-Ring	E13	Trigger Spring
B7	Hexagon	C16	M4*12	E14	Trigger
B8	QD Mount	C17	Spring Pin	E15	Air Nozzle
B9	Front Sight Spring	C18	Spring Pin	E16	Cylinder Head
B10	Front Sight	C19	QCB Ring Lever	E17	Tappet Plate
B11	Masada Front Sight Pin	C20	Outer Barrel Lock Spring	E18	Tappet Plate Spring
B12	Front Sight Detenting Sprin	C21	QCB Lock Ring	E19	Spring Guide
B13	FSP Plunger	C22	Lock Ring Washer	E20	O-ring
B14	FSP Pin	C23	Operation Rod Block	E21	Rubber Pad
B15	Front Sight Plunger	C24	Outer Barrel 14.5"	E22	Cylinder
B16	Hexagon	C25	O-ring	E23	Cylinder Cap
B17	Barrel Trunnion	C26	Inner Barrel	E24	M3*14
B18	Barrel Lock Plunger Spring	C27	Inner Barrel Locator	E25	Cylinder Accessory A
B19	Barrel Lock Plunger	C28	Inner Barrel Detention Spring	E26	O-ring
B20	Spring Pin	C29	Barrel Washer	E27	Cylinder Accessory B
B21	Hop-Up Extrusion	C30	Hop-up tube	E28	Spring Guide Cover
B22	Hop-up Switch Screw	C31	Inner Barrel Connector	E29	Spring Guide Metals
B23	Hop-Up Switch	C32	Barrel Locating Screw	E30	Spring Guide
B24	Hop-Up	C33	Push Pin	E31	Spring Guide Washer
B25	Hop-up Adjustor	C34	Polymer Hand-Guard	E32	Cylinder Spring
B26	Spring Pin			E33	Bevel Gear
B27	Spring Pin	D1	5.56 Style Lower Receiver	E34	Sector Gear
B28	Actuator	D2	Push Pin Retainer Clip	E35	Spur Gear
B29	Trigger-Actuator	D3	Push Pin	E36	Non-Return Latch
B30	Charging Handle Locker	D4	Selector Teeth "B"	E37	Non-Return Latch Spring
B31	Spring-Actuator	D5	M3*8	E38	Gear Washer
B32	Bolt Door Carrier	D6	Selector Bearing	E39	Selector Parts
B33	Spring Pin	D7	Selector Bearing	E40	M2*4
B34	Charging Handle Blade	D8	Selector	E41	Roll Pin
B35	Charging Handle Block	D9	Roll Pin	E42	Roll Pin
B36	Charging Handle Locator Base	D10	Bolt Stop Spring	E43	Switch Holder 1
B37	Locator	D11	Magazine Catch Release Button	E44	Switch Holder 2
B38	Cross Head	D12	M3*6 (Cross)	E45	Switch Spring
B39	Bolt Door	D13	Bolt Release Insert	E46	Pin
B40	Bolt Door Guide	D14	Release Button Pin	E47	Firing Switch
B41	Hexagon	D15	Bolt Release Paddle	E48	Dox Bearing
B42	Hexagon	D16	Magazine Catch	E49	Gear Box Case "B"
B43	Recoil Spring	D17	Catch Spring	E50	Switch Spring
B44	Spring Guide Rod	D18	Grip Cover Pin	E51	Switch Controller
B45	Cross Head	D19	Grip Cover	E52	Set-Gear
B46	Actuator Back Stand	D20	M4*20	E53	Motor Case "A"
		D21	Selector Teeth "A"	E54	Motor Sector
C1	Spring			E55	Square Plate
C2	Gas Block Spring			E56	Motor Case "B"
C3	Piston	E1	External Washer	E57	Motor Gear
C4	M3*6	E2	M3*18 (Cross)	E58	Motor Gear Spring
C5	Gas Block	E3	M3*8 (Cross)	E59	Motor
C6	O-Ring	E4	M3*16 (Cross)	E60	Motor Plate
C7	Gas Regulator	E5	Spur Gear	E61	Electric Wire
C8	O-Ring	E6	Gear Box Case "A"		
C9	Gas Diffuser	E7	Piston Insert	G	Fixed Stock